

US00D790864S

(12) **United States Design Patent** (10) **Patent No.:** **US D790,864 S**
Zemel et al. (45) **Date of Patent:** **** Jul. 4, 2017**

(54) **BASTING BRUSH**
(71) Applicant: **BLUE RHINO GLOBAL SOURCING, INC.**, Liberty, MO (US)
(72) Inventors: **Marc Zemel**, Melville, NY (US); **Adam Schillen**, Dix Hills, NY (US)
(73) Assignee: **BLUE RHINO GLOBAL SOURCING, INC.**, Liberty, MO (US)
(**) Term: **15 Years**
(21) Appl. No.: **29/577,391**

D445,654 S 7/2001 Yu
D448,973 S 10/2001 Hay et al.
D454,432 S * 3/2002 Ancona D4/138
D456,207 S 4/2002 Zemel
D456,615 S 5/2002 Zemel
D456,667 S 5/2002 Veltri et al.
D463,952 S 10/2002 Zemel
D465,336 S 11/2002 Zemel
D474,644 S 5/2003 Zemel
D476,525 S 7/2003 Zemel
D481,906 S 11/2003 Knor
D482,566 S 11/2003 Zemel
D482,569 S 11/2003 Zemel
D491,413 S 6/2004 Rosenthal
D492,543 S 7/2004 Munari

(Continued)

(22) Filed: **Sep. 13, 2016**
(51) **LOC (10) Cl.** **04-02**
(52) **U.S. Cl.**
USPC **D4/135**
(58) **Field of Classification Search**
USPC D4/100, 102, 114, 135, 116, 121, 127;
15/21.1, 22.1, 23, 24, 28, 29, 191.1, 192,
15/193, 194, 166, 168, 171, 175, 176.1;
132/218, 217; D28/7, 57
CPC B05C 1/00; B05C 1/02; B05C 17/0205;
B44D 2/00
See application file for complete search history.

Primary Examiner — Austin Murphy
(74) *Attorney, Agent, or Firm* — Carter, DeLuca, Farrell & Schmidt, LLP

(57) **CLAIM**

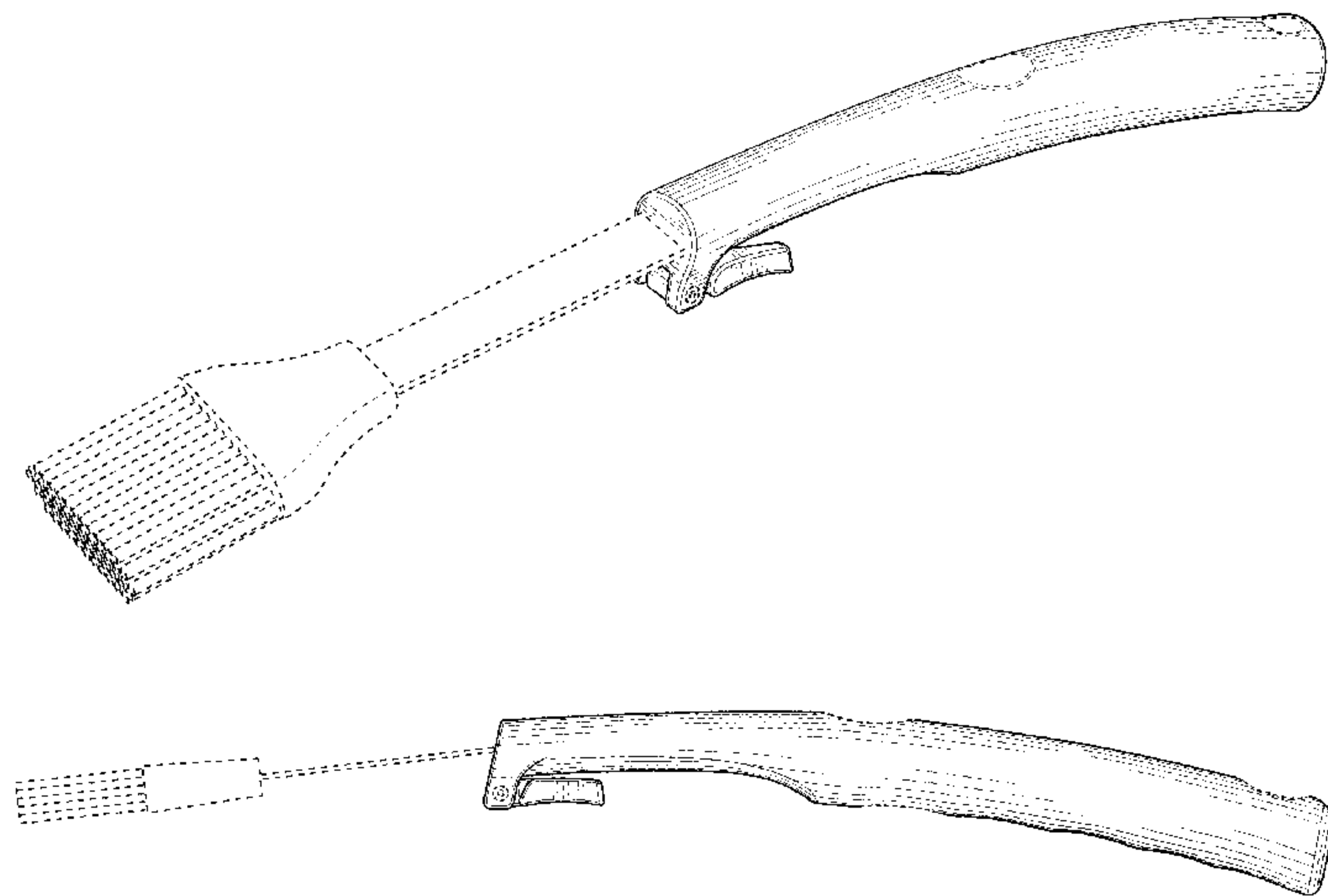
The ornamental design for a basting brush, as shown and described.

DESCRIPTION

FIG. 1 is a perspective view of a basting brush in a closed configuration in accordance with the present design;
FIG. 2 is a left side elevational view thereof;
FIG. 3 is a right side elevational view thereof;
FIG. 4 is a front side elevational view thereof;
FIG. 5 is a rear side elevational view thereof;
FIG. 6 is a top plan view thereof;
FIG. 7 is a bottom plan view thereof; and,
FIG. 8 is a perspective view of the basting brush in an open configuration in accordance with the present design.
The broken lines shown are included for the purpose of illustrating a portion of the basting brush that forms no part of the claimed design.
The stippling in the drawings is for shading purposes only.

(56) **References Cited**
U.S. PATENT DOCUMENTS
D130,264 S * 11/1941 Racicot D4/135
D146,729 S 4/1947 Storm
D227,624 S * 7/1973 Spydyevold D4/135
D333,217 S * 2/1993 Gingras D4/132
D400,358 S * 11/1998 Zemel D4/114
D417,121 S 11/1999 Brunianyn
D427,025 S 6/2000 Lee
D427,858 S 7/2000 Zemel
D431,753 S 10/2000 Cohen et al.
D431,960 S 10/2000 Hay
D442,026 S 5/2001 Rae

1 Claim, 5 Drawing Sheets



US D790,864 S

Page 2

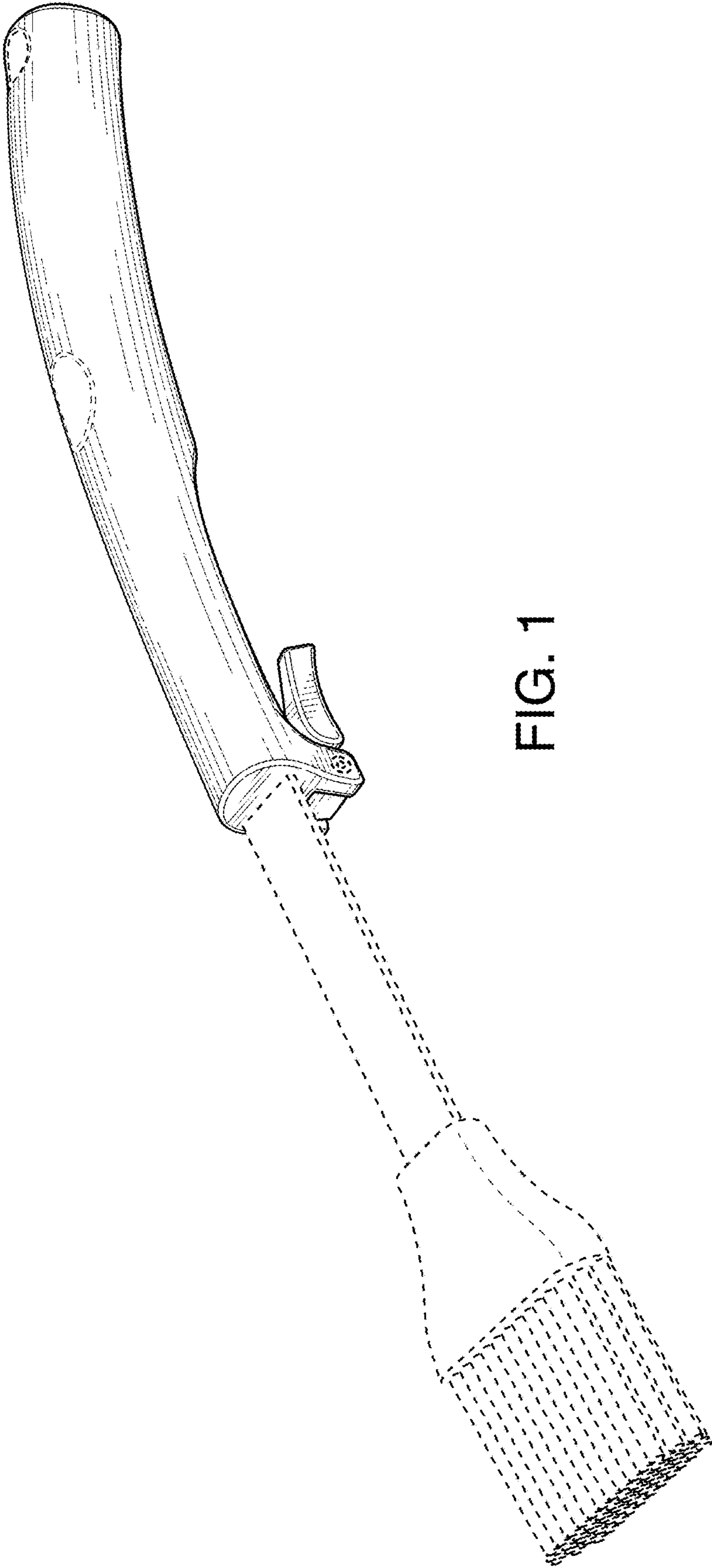
(56)

References Cited

U.S. PATENT DOCUMENTS

D494,006 S	8/2004	Zemel	D572,080 S	7/2008	Zemel	
D494,807 S	8/2004	Zemel	D573,350 S *	7/2008	Rivas	D4/135
D496,558 S	9/2004	Zemel	D574,184 S	8/2008	Zemel	
D503,071 S	3/2005	Lu	D578,826 S	10/2008	Lu	
D528,857 S	9/2006	Zemel	D579,269 S	10/2008	Zemel	
D529,333 S	10/2006	Zemel	D579,668 S	11/2008	Zemel	
D529,335 S	10/2006	Zemel	D580,659 S	11/2008	Zemel	
D531,853 S	11/2006	Zemel	D588,868 S	3/2009	Zemel	
D533,397 S	12/2006	Zemel	D616,205 S *	5/2010	Rothman	D4/135
D534,001 S	12/2006	Zemel	7,716,775 B2 *	5/2010	DiPietro	A46B 5/02 15/114
D535,147 S	1/2007	Zemel	D618,499 S	6/2010	Zemel	
D535,519 S	1/2007	Zemel	D622,542 S	8/2010	Zemel	
D536,530 S *	2/2007	Peterson	D629,650 S	12/2010	Funka, Jr. et al.	
D544,750 S	6/2007	Zemel	D631,289 S	1/2011	Tuli	
D545,120 S	6/2007	Zemel	D658,433 S	5/2012	Zemel	
D545,121 S	6/2007	Zemel	D658,937 S	5/2012	Zemel	
D550,504 S	9/2007	Zemel	D660,141 S	5/2012	Zemel	
D562,062 S	2/2008	Zemel	D663,159 S	7/2012	Zemel	
D562,064 S	2/2008	Zemel	D679,506 S *	4/2013	Hile	D4/135
D563,675 S	3/2008	Zemel	D690,153 S	9/2013	Zemel	
D564,292 S	3/2008	Zemel	D702,996 S	4/2014	Zemel et al.	
D566,460 S	4/2008	Zemel	D703,444 S *	4/2014	Jalet	D4/121
D569,174 S	5/2008	Zemel	D737,626 S	9/2015	Lu	
D572,079 S	7/2008	Zemel	D751,824 S *	3/2016	Childs	D4/135
			D773,242 S	12/2016	Zemel et al.	
			D782,828 S *	4/2017	Hwang	D4/138

* cited by examiner



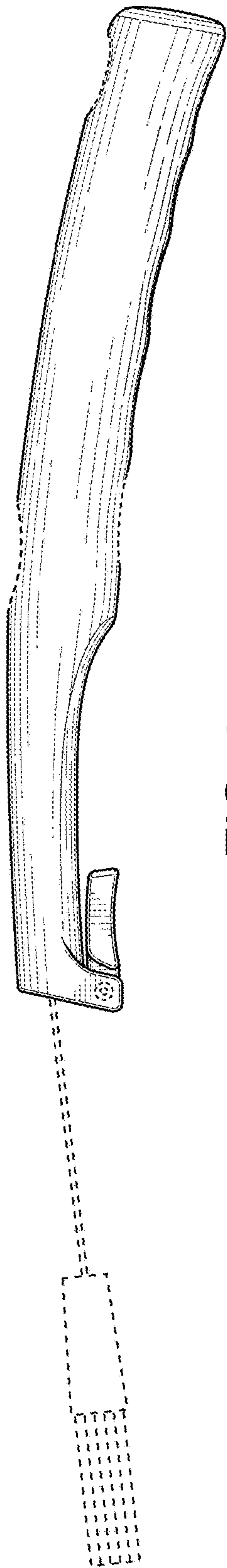


FIG. 2

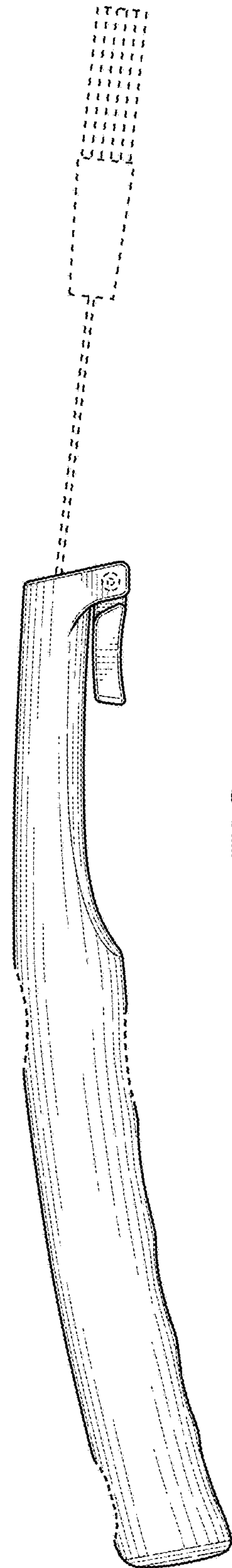


FIG. 3

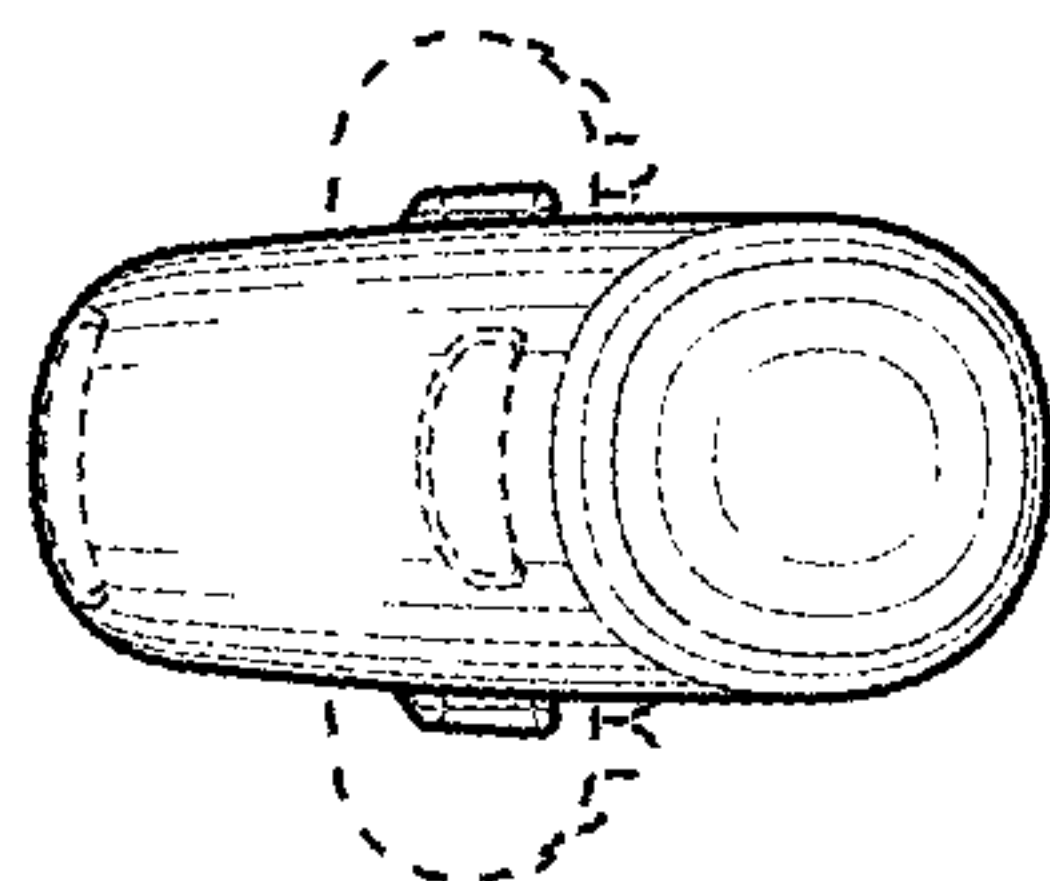


FIG. 5

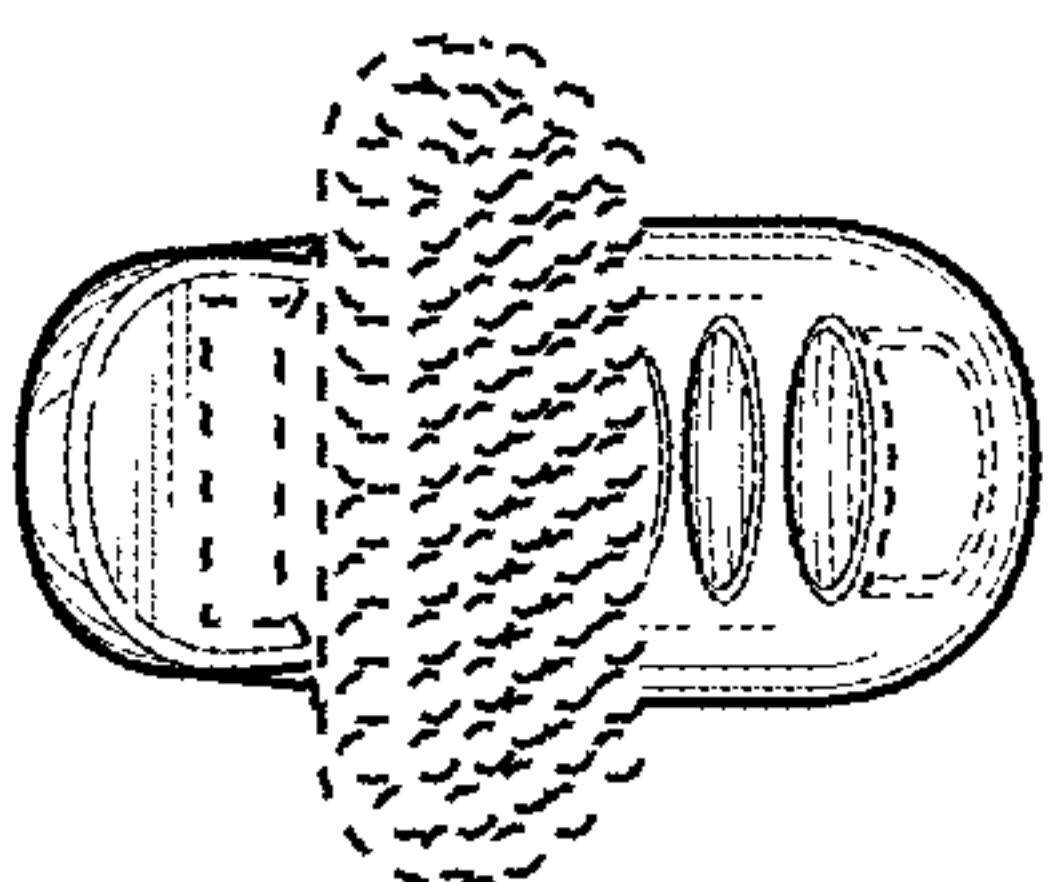


FIG. 4

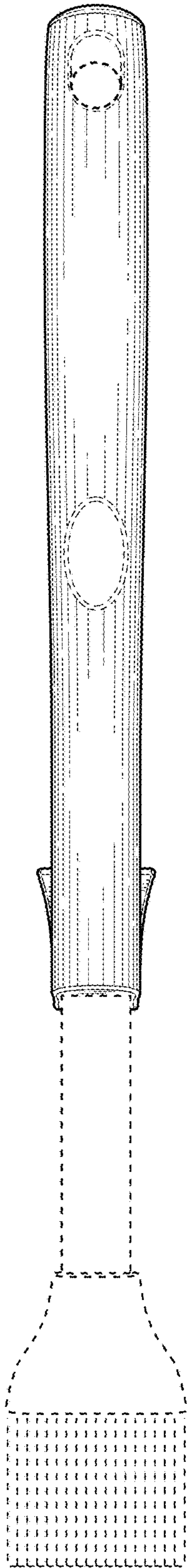


FIG. 6

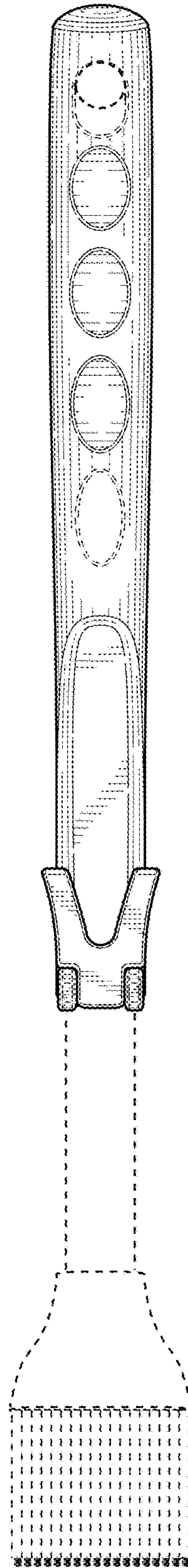


FIG. 7

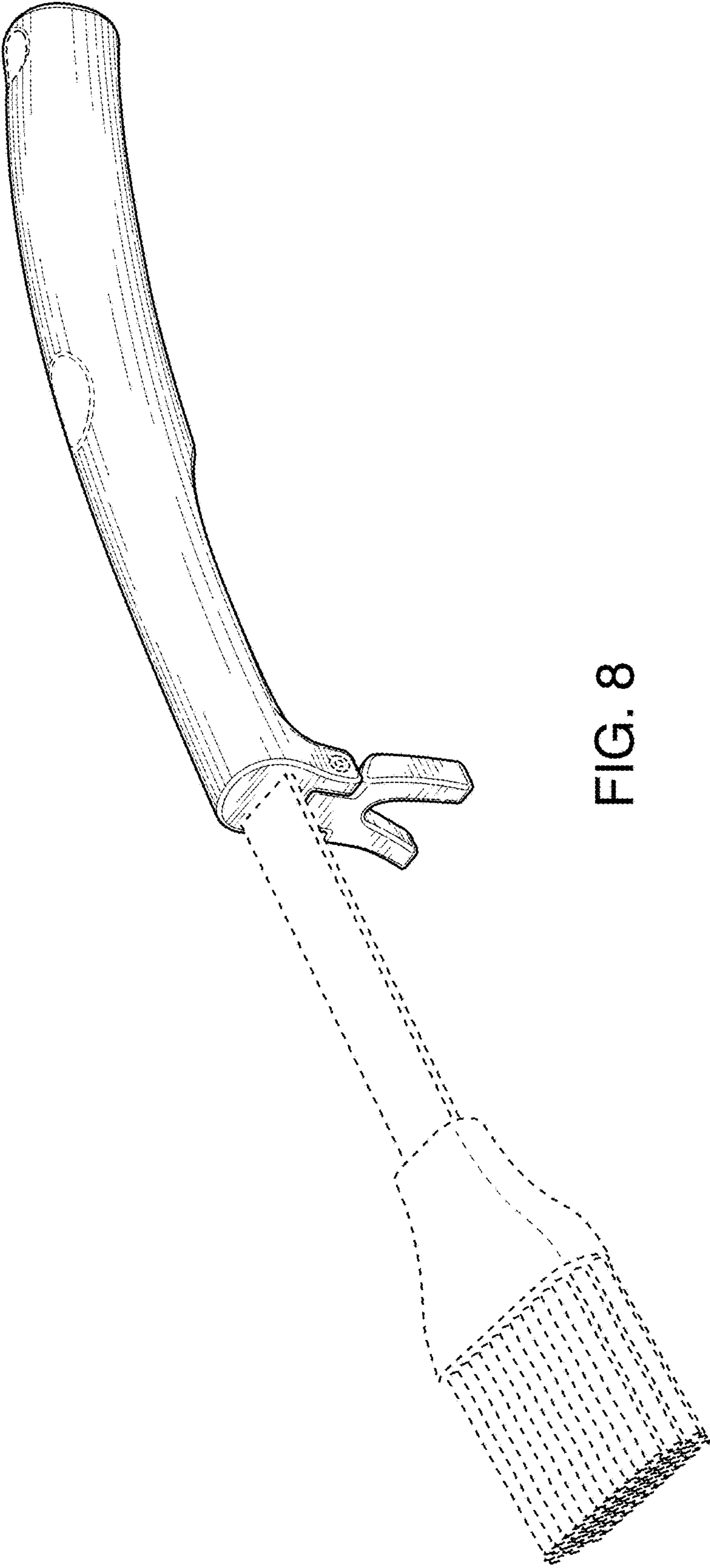


FIG. 8