



US00D790862S

(12) **United States Design Patent**  
**Matelo et al.**

(10) **Patent No.:** **US D790,862 S**  
(45) **Date of Patent:** **\*\* Jul. 4, 2017**

(54) **TOOTHBRUSH**

(71) Applicant: **Obschestvo s ogranichennoj  
otvetstvennostju**  
**“EVROCOSMED-Stupino”**, Moscow  
Reg., G. (RU)

(72) Inventors: **Svetlana Konstantinovna Matelo**,  
Moscow (RU); **Tamaz Omarovich**  
**Manasherov**, Moscow (RU)

(73) Assignee: **OBSHESTVO S**  
**OGRANICHENNOJ**  
**OTVETSTVENNOSTJU**  
**“EVROCOSMED-STUPINO”**,  
Moscow (RU)

(\*\*) Term: **15 Years**

(21) Appl. No.: **29/585,997**

(22) Filed: **Nov. 30, 2016**

**Related U.S. Application Data**

(60) Division of application No. 29/514,463, filed on Jan.  
13, 2015, which is a continuation of application No.  
29/393,537, filed on Jun. 6, 2011, now abandoned.

(30) **Foreign Application Priority Data**

Mar. 31, 2011 (RU) ..... 2011500952

(51) **LOC (10) Cl.** ..... **04-02**

(52) **U.S. Cl.**  
USPC ..... **D4/110; D4/104**

(58) **Field of Classification Search**

USPC ..... D4/107, 124–126, 104, 101, 108,  
D4/110–113, 116, 120, 132–135, 138,  
D4/199, 136; 15/143.1, 167.1, 167.2,  
15/110, 111, 176.1–176.6, 184, 159.1,  
15/160, 207.2, DIG. 5, DIG. 6, 188,  
15/205.2; D28/45, 46, 48; 132/308–311;  
601/139–142, 80, 136; 606/161, 235;

D24/146, 147, 152, 176; D7/393, 395,  
D7/401.2, 392; 16/430, 902, DIG. 12,  
16/DIG. 18, DIG. 19, 431; D8/107  
CPC ..... A46B 5/02; A46B 5/023; A46B 5/025;  
A46B 5/026; A46B 5/00; A46B 5/0004;  
A46B 5/0054; A46B 5/0079; A46B  
5/0095; A46B 5/021; A46B 5/04; A46B  
13/00; A46B 13/02; A46B 9/04; A46B  
9/045; A46B 15/0075; A46B 15/0081;  
A46B 15/0069; A46B 15/0087; A46B  
15/0055;

(Continued)

(56) **References Cited**

**U.S. PATENT DOCUMENTS**

D57,327 S \* 3/1921 Gibson ..... D4/104  
1,642,465 A \* 9/1927 Sheetz ..... A46B 9/04  
15/167.1

(Continued)

**FOREIGN PATENT DOCUMENTS**

AU 147800 S 5/2002  
CH DM/072711 12/2009

(Continued)

*Primary Examiner* — Susan Moon Lee

(74) *Attorney, Agent, or Firm* — Ladas & Parry LLP

(57) **CLAIM**

We claim the ornamental design for a toothbrush, as shown.

**DESCRIPTION**

FIG. 1 is a perspective view of a toothbrush showing our  
new design;

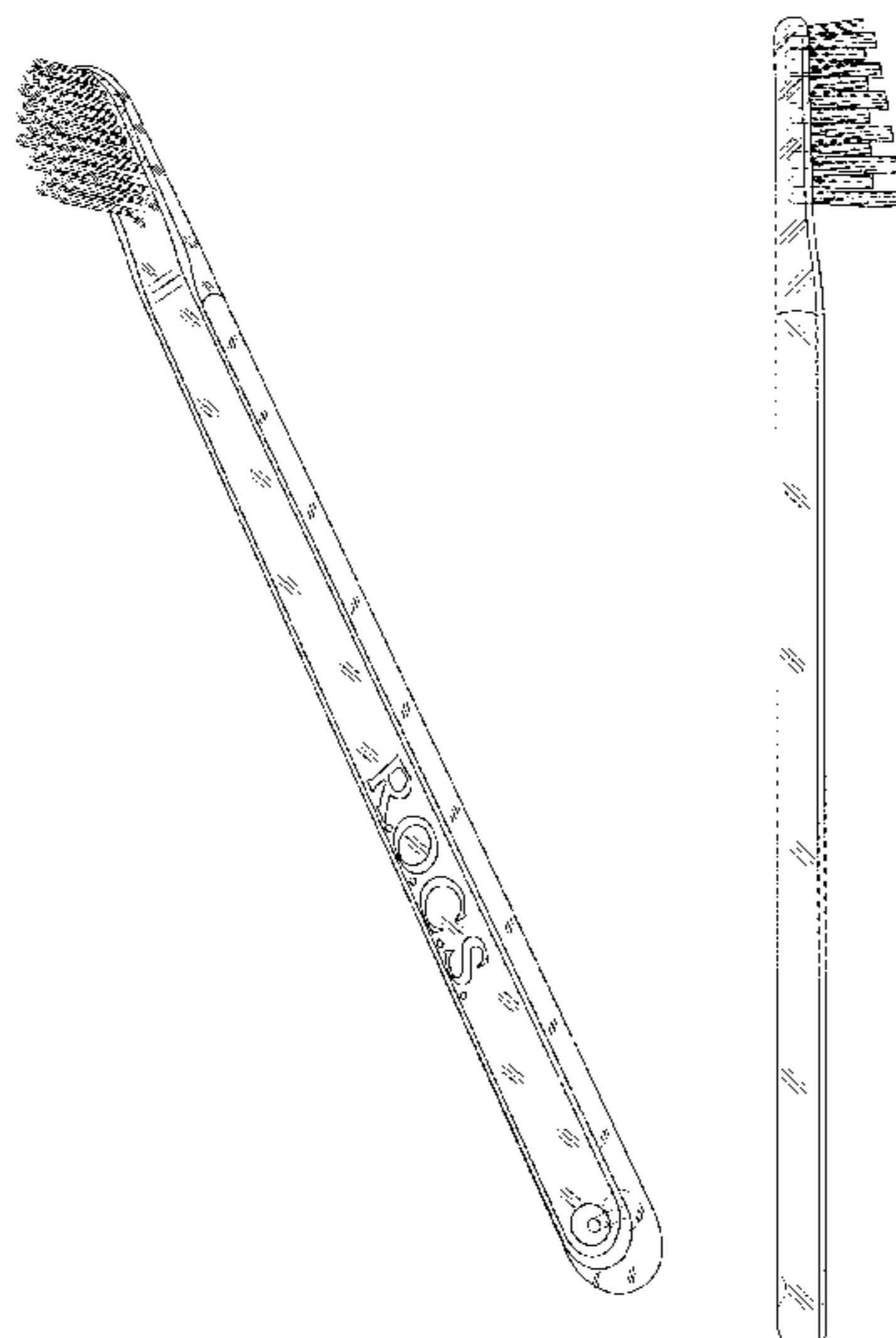
FIG. 2 is a front view thereof;

FIG. 3 is a right side view thereof;

FIG. 4 is a left side view thereof; and,

FIG. 5 is a rear view thereof.

**1 Claim, 5 Drawing Sheets**



(58) **Field of Classification Search**

CPC ..... A46B 15/0071; A46B 15/0089; A46B 15/0097; A46B 2200/1066; A46B 2200/1073; A46B 2200/1086; A46B 2200/1026; A46B 17/04; A61C 17/00; A61C 17/0202; A61C 17/16; A61C 17/20; A61C 17/22; A61C 17/222; A61C 17/225; A61C 17/26; A61C 17/34; A61C 15/048; A45D 44/18; A46D 1/10

See application file for complete search history.

(56) **References Cited**

U.S. PATENT DOCUMENTS

D98,042 S \* 12/1935 Rudof ..... 15/167.2  
 D111,609 S \* 10/1938 Lasater ..... D4/104  
 2,287,327 A \* 6/1942 Rickenbacher ..... A46B 7/04  
 15/167.1  
 D136,042 S \* 7/1943 Veo ..... D4/104  
 2,618,003 A \* 11/1952 Robey ..... A46B 7/04  
 15/167.1  
 2,622,259 A \* 12/1952 Chauvin ..... A46B 9/04  
 15/167.1  
 D180,091 S \* 4/1957 Mayer ..... D4/104  
 2,807,820 A \* 10/1957 Dinhofer ..... A46B 7/04  
 15/110  
 D192,025 S \* 1/1962 Rudnick ..... D4/104  
 D198,834 S \* 8/1964 Hyman ..... D4/104  
 D200,395 S \* 2/1965 Brennesholtz ..... D4/104  
 D219,256 S \* 11/1970 Dick ..... D4/104  
 3,722,020 A \* 3/1973 Hills ..... A46B 9/045  
 15/167.1  
 3,742,549 A \* 7/1973 Scopp ..... A46B 9/04  
 15/167.1  
 D238,833 S \* 2/1976 Hjelle ..... D4/104  
 D239,221 S \* 3/1976 Wasserman ..... D4/104  
 D240,677 S \* 7/1976 Thompson ..... D4/104  
 D241,891 S \* 10/1976 Cannon et al. .... D4/104  
 4,020,521 A \* 5/1977 Velasquez ..... A46B 7/02  
 15/167.1  
 D246,080 S \* 10/1977 Rallis ..... D4/104  
 4,411,041 A \* 10/1983 Braga ..... A46B 5/00  
 15/167.1  
 D272,679 S \* 2/1984 Stocchi ..... D4/110  
 D272,680 S \* 2/1984 Stocchi ..... D4/110  
 D272,681 S \* 2/1984 Stocchi ..... D4/110  
 D272,682 S \* 2/1984 Stocchi ..... D4/110  
 D272,683 S \* 2/1984 Stocchi ..... D4/110  
 D272,684 S \* 2/1984 Stocchi ..... D4/110  
 D272,685 S \* 2/1984 Stocchi ..... D4/110  
 D272,686 S \* 2/1984 Stocchi ..... D4/110  
 D272,687 S \* 2/1984 Stocchi ..... D4/110  
 D272,688 S \* 2/1984 Stocchi ..... D4/110  
 D272,689 S \* 2/1984 Stocchi ..... D4/110  
 D272,690 S \* 2/1984 Stocchi ..... D4/110  
 D272,691 S \* 2/1984 Stocchi ..... D4/110  
 D273,635 S \* 5/1984 Stocchi ..... D4/104  
 4,519,111 A \* 5/1985 Cavazza ..... A46B 9/04  
 15/167.1  
 D283,952 S \* 5/1986 Berkowitz ..... D4/108  
 D289,703 S \* 5/1987 Yaffe ..... D4/104  
 4,865,481 A \* 9/1989 Scales ..... A46B 11/00  
 132/308  
 D304,786 S \* 11/1989 Kayamura ..... D4/104  
 D317,831 S \* 7/1991 Hukuba ..... D4/104

D319,148 S \* 8/1991 Emily ..... D4/104  
 D333,571 S \* 3/1993 Harden ..... D4/104  
 D333,918 S \* 3/1993 Curtis ..... D4/104  
 5,191,671 A \* 3/1993 Rudnick ..... A46B 5/00  
 15/143.1  
 5,201,092 A \* 4/1993 Colson ..... A46B 9/04  
 15/167.1  
 D345,056 S \* 3/1994 Groves ..... D4/106  
 5,331,704 A \* 7/1994 Rosen ..... A46B 9/02  
 15/106  
 5,341,537 A \* 8/1994 Curtis ..... A46B 9/025  
 15/110  
 5,398,369 A \* 3/1995 Heinzelman ..... A46B 5/02  
 15/143.1  
 5,459,899 A \* 10/1995 Bauer ..... A46B 9/04  
 15/110  
 D365,683 S \* 1/1996 Wan ..... D4/104  
 D368,803 S \* 4/1996 Yost ..... D4/104  
 D368,804 S \* 4/1996 Yost ..... D4/104  
 D369,471 S \* 5/1996 Schnieder  
 D370,564 S \* 6/1996 Moskovich ..... D4/104  
 D372,584 S \* 8/1996 Yost ..... D4/104  
 D373,681 S \* 9/1996 Yost ..... D4/104  
 D374,122 S \* 10/1996 Yost ..... D4/104  
 D374,775 S \* 10/1996 Yost ..... D4/104  
 D380,903 S \* 7/1997 Moskovich ..... D4/104  
 5,676,167 A \* 10/1997 Garner ..... A46B 15/0071  
 132/309  
 D386,006 S \* 11/1997 Moskovich ..... D4/104  
 5,742,972 A \* 4/1998 Bredall ..... A46B 9/026  
 15/167.1  
 D396,557 S \* 8/1998 Moskovich ..... D4/104  
 D399,349 S \* 10/1998 Barth ..... D4/106  
 5,842,490 A \* 12/1998 Jensen ..... A46B 15/0071  
 132/309  
 D406,464 S \* 3/1999 Yost ..... D4/104  
 D414,339 S \* 9/1999 Trojanowski ..... D4/104  
 6,006,394 A \* 12/1999 Bredall ..... A46B 9/026  
 15/167.1  
 D424,809 S \* 5/2000 Bernard ..... D4/105  
 D430,730 S \* 9/2000 Klein ..... D4/104  
 D436,733 S \* 1/2001 Klein ..... D4/104  
 D439,411 S \* 3/2001 Klein ..... D4/104  
 6,371,674 B1 \* 4/2002 Lerner ..... A46B 11/00  
 401/137  
 6,389,633 B1 \* 5/2002 Rosen ..... A46B 15/0002  
 15/105  
 6,463,937 B1 \* 10/2002 Cloutier ..... A46B 11/0041  
 132/308  
 6,514,445 B1 \* 2/2003 Cann ..... A46B 5/0025  
 264/243  
 D502,603 S \* 3/2005 Seifert ..... D4/104  
 D504,569 S \* 5/2005 Driesen ..... D4/104  
 D507,114 S \* 7/2005 Seifert ..... D4/104  
 8,332,982 B2 \* 12/2012 Braun ..... A46B 5/0025  
 15/110  
 D747,883 S \* 1/2016 Rackston ..... D4/108  
 9,468,511 B2 \* 10/2016 Garrigues ..... A61C 17/3481

FOREIGN PATENT DOCUMENTS

FR DM/063196 3/2003  
 IT 000238191-0001 A1 2/2007  
 IT 0016836681-0001 A1 3/2010  
 IT 001742602-0001 A1 8/2010  
 RU 64385 9/1994

\* cited by examiner

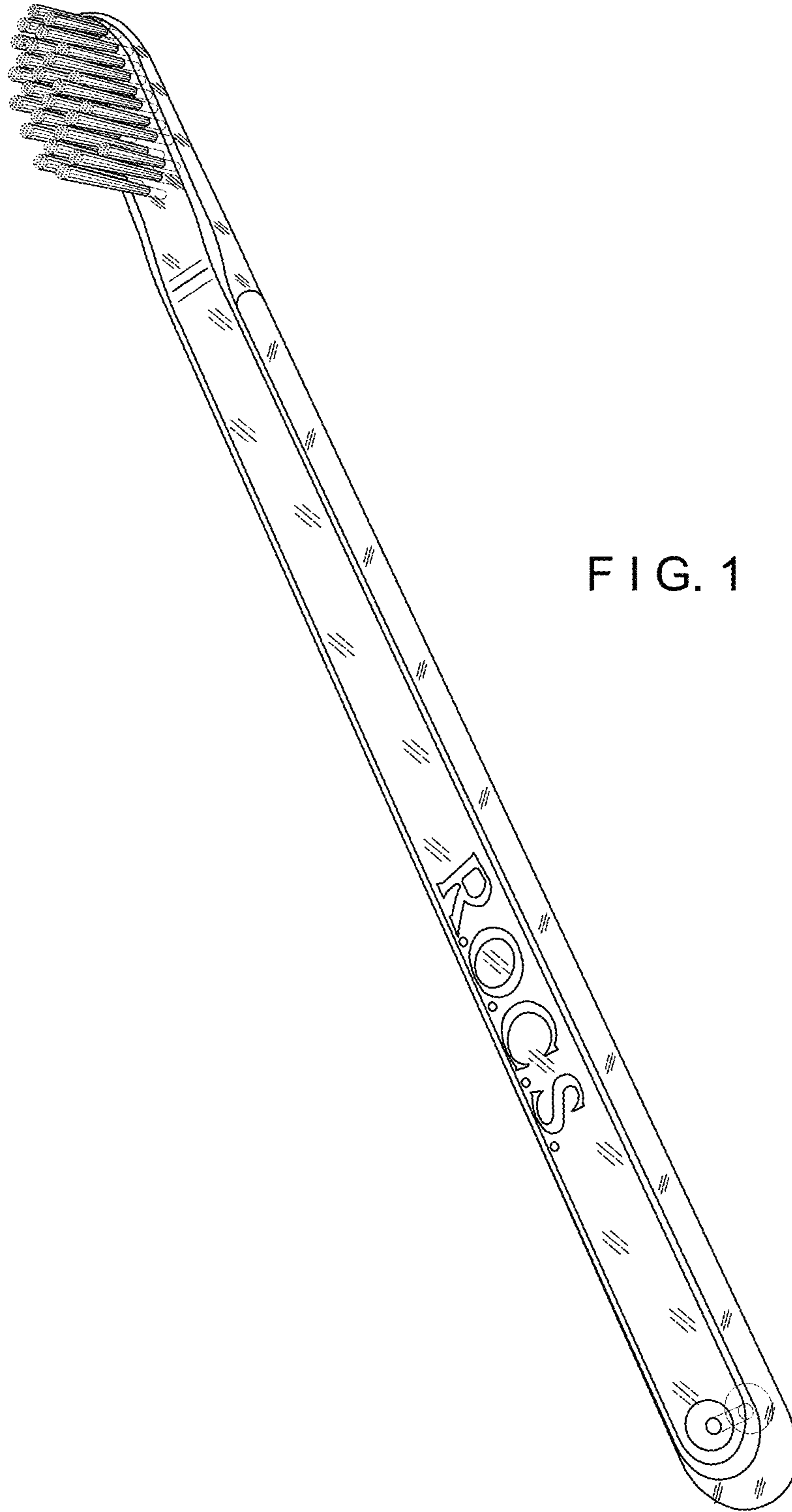


FIG. 1

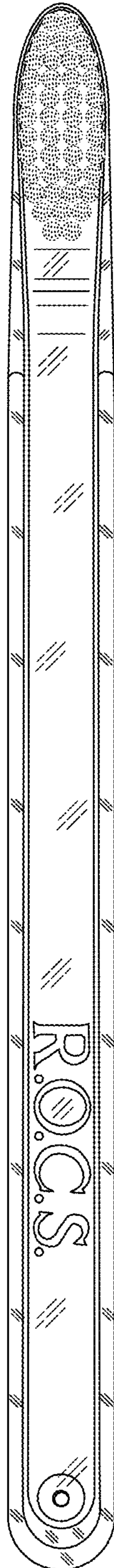


FIG. 2

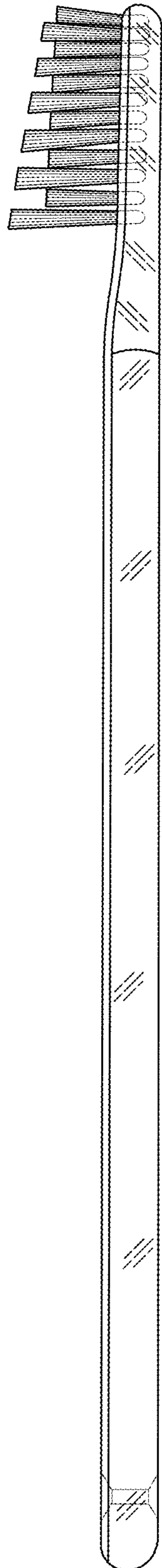


FIG. 3

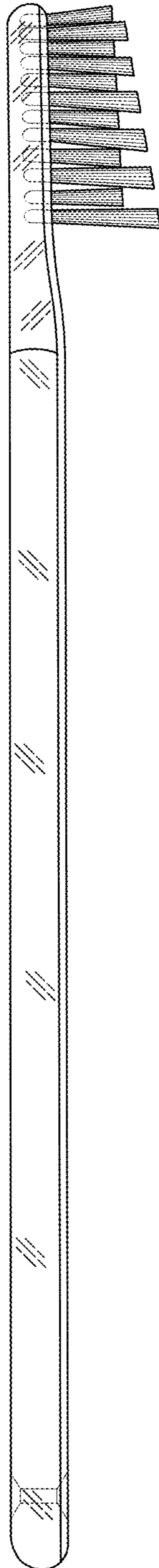


FIG. 4

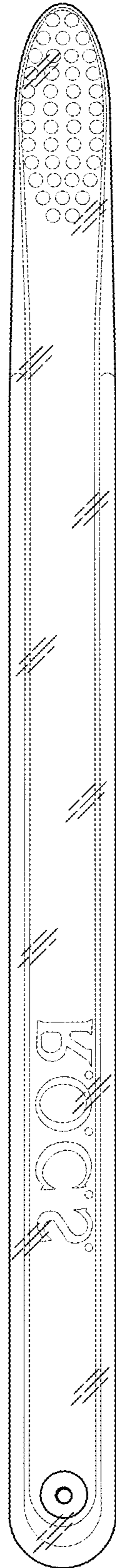


FIG. 5