



US00D790861S

(12) **United States Design Patent** (10) **Patent No.:** **US D790,861 S**  
**Demarest et al.** (45) **Date of Patent:** **\*\* Jul. 4, 2017**

(54) **ORAL CARE IMPLEMENT** 6,689,078 B1 \* 2/2004 Rehkemper ..... A61C 17/30  
15/29  
(71) Applicant: **COLGATE-PALMOLIVE** 7,168,122 B1 1/2007 Riddell  
**COMPANY**, New York, NY (US) D577,492 S \* 9/2008 Crossman ..... D4/101  
7,670,141 B2 \* 3/2010 Thomas ..... A61C 17/0202  
433/100  
(72) Inventors: **Scott Demarest**, Basking Ridge, NJ D636,604 S \* 4/2011 Zhuan ..... D4/101  
(US); **Michael Terranova**, Fairfield, CT D649,787 S 12/2011 Ivarsson  
(US); **Patricia Leunis**, Anieres GE D696,023 S \* 12/2013 Gebski ..... D4/101  
(CH); **Raymond Clepper**, Brooklyn, D696,517 S 12/2013 Gebski  
NY (US); **Renee Marie Riethmiller**, D718,056 S 11/2014 Masee  
Larchmont, NY (US) (Continued)

(73) Assignee: **COLGATE-PALMOLIVE**  
**COMPANY**, New York, NY (US)

(\*\*) Term: **15 Years**

(21) Appl. No.: **29/576,454**

(22) Filed: **Sep. 2, 2016**

**Related U.S. Application Data**

(62) Division of application No. 29/529,803, filed on Jun. 10, 2015, now Pat. No. Des. 768,386.

(51) **LOC (10) Cl.** ..... **04-02**

(52) **U.S. Cl.**  
USPC ..... **D4/102**; D4/101; D4/109

(58) **Field of Classification Search**  
USPC ..... D4/100-102, 104-118, 124-125,  
D4/127-132, 136, 138  
CPC ..... A46B 5/00; A46B 5/0004; A46B 5/0008;  
A46B 5/0012; A46B 5/002; A46B  
5/0095; A46B 9/04; A46B 11/0006; A46B  
2200/1066; A61B 17/24; A61C 17/16  
See application file for complete search history.

(56) **References Cited**

**U.S. PATENT DOCUMENTS**

D209,395 S \* 11/1967 Gilbert ..... D24/113  
D336,567 S 6/1993 Glover  
D476,486 S \* 7/2003 Wang ..... D4/101

**OTHER PUBLICATIONS**

Grundig. TB 8030 Sonic Toothbrush, as posted on Conrad.com, no posting date available [site visited Apr. 11, 2016] Available on the Internet: URL <<http://www.conrad.com/ce/en/product/860389/Electric-toothbrush-Grundig-TB-8030-Sonic-toothbrush-Biuewhite>>.

*Primary Examiner* — Jeffrey D Asch  
*Assistant Examiner* — Rebekah A Caruso

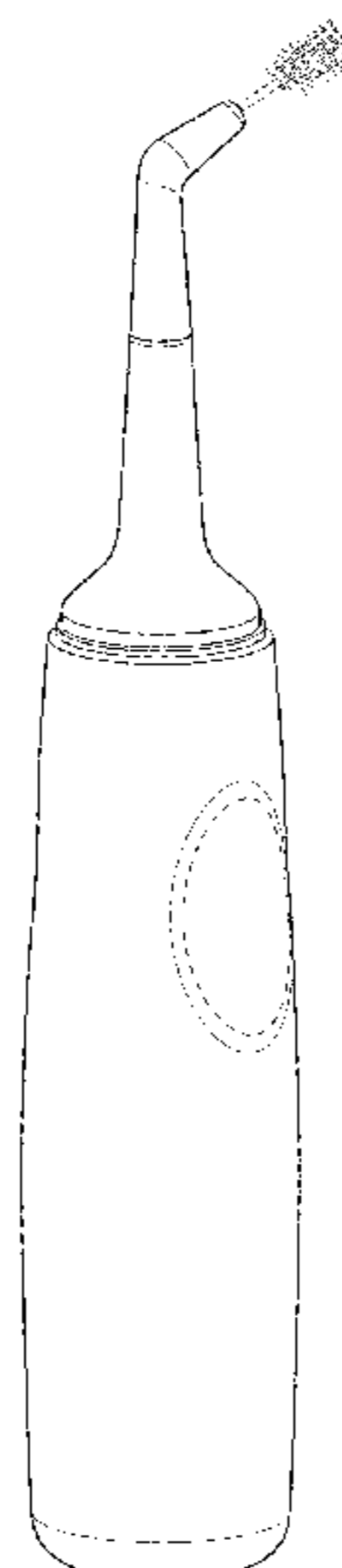
(57) **CLAIM**

The ornamental design for an oral care implement, as shown and described.

**DESCRIPTION**

FIG. 1 is a perspective view of the new design;  
FIG. 2 is a right side view thereof;  
FIG. 3 is a left side view thereof;  
FIG. 4 is a rear view thereof;  
FIG. 5 is a front view thereof;  
FIG. 6 is a top view thereof; and,  
FIG. 7 is a bottom view thereof.  
All broken lines shown in the drawings are directed to environment, wherein the two broken line ovals on the side of the article and the broken line circle on the bottom of the article are superimposed on a continuous surface. The broken lines form no part of the claimed design.

**1 Claim, 4 Drawing Sheets**



(56)

**References Cited**

U.S. PATENT DOCUMENTS

D718,057	S	*	11/2014	Massee .....	D4/101
D719,737	S		12/2014	Adriaenssen	
D749,324	S		2/2016	Cessot	
D749,852	S		2/2016	Since	
D749,853	S		2/2016	Cessot	
D759,381	S	*	6/2016	Watkins .....	D4/101
D765,415	S	*	9/2016	Zhen .....	D4/101
D767,896	S	*	10/2016	Shigeno .....	D4/101
D771,955	S	*	11/2016	Chitayat .....	D4/114
2003/0221269	A1		12/2003	Zhuan	
2004/0079384	A1		4/2004	Lai	
2011/0232012	A1		9/2011	Nanda	
2013/0318729	A1	*	12/2013	Suwanbutr .....	A46B 13/001 15/23
2014/0310900	A1		10/2014	Curry	

\* cited by examiner

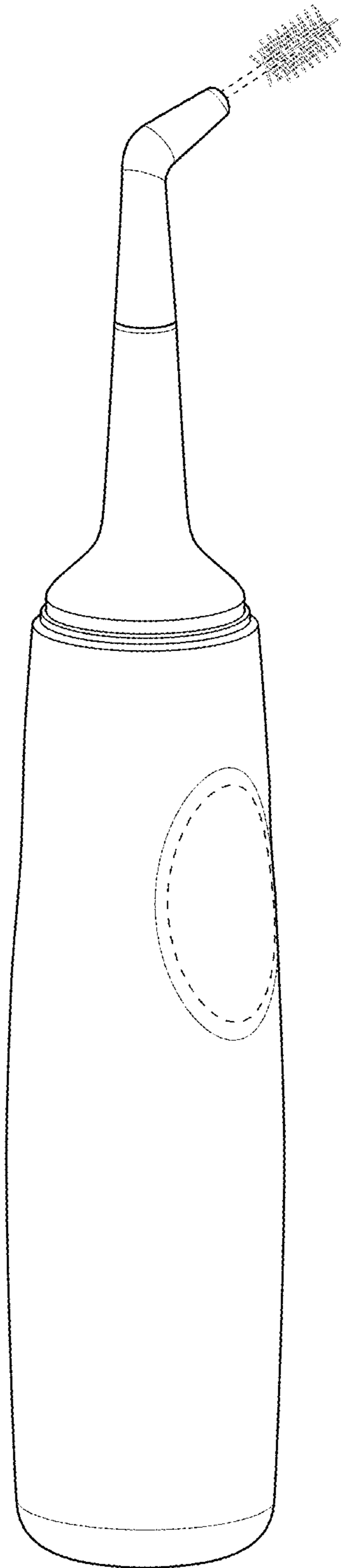


FIG. 1

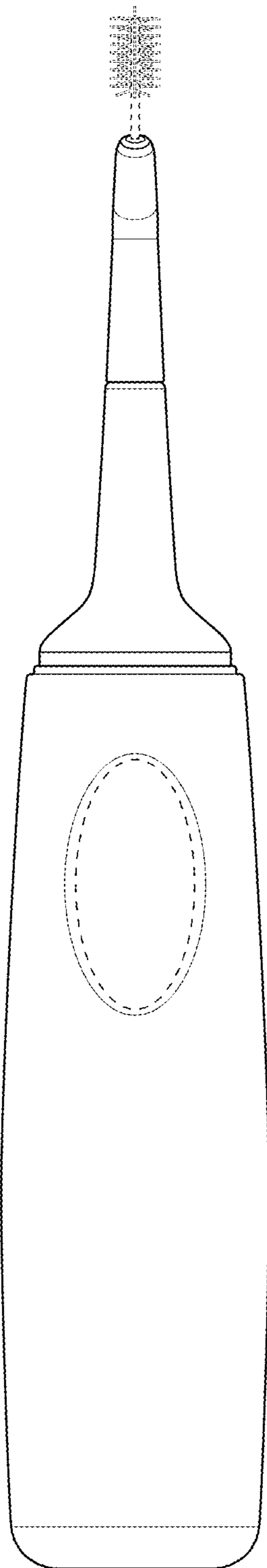


FIG. 2

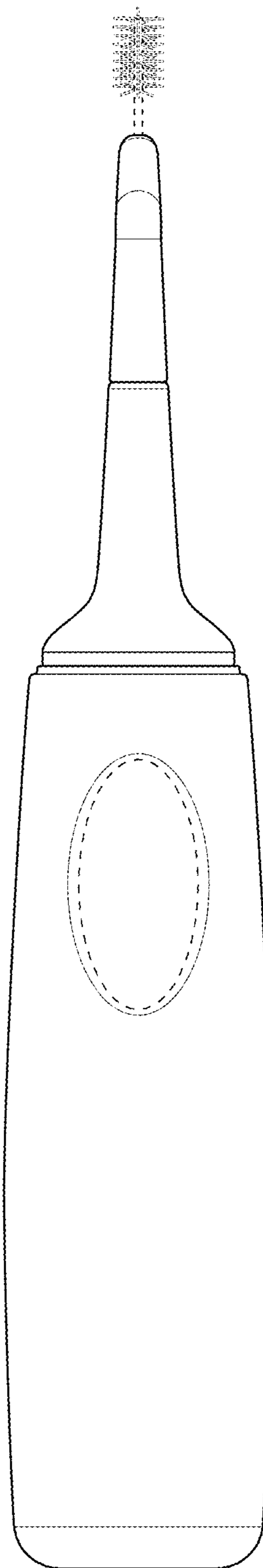


FIG. 3

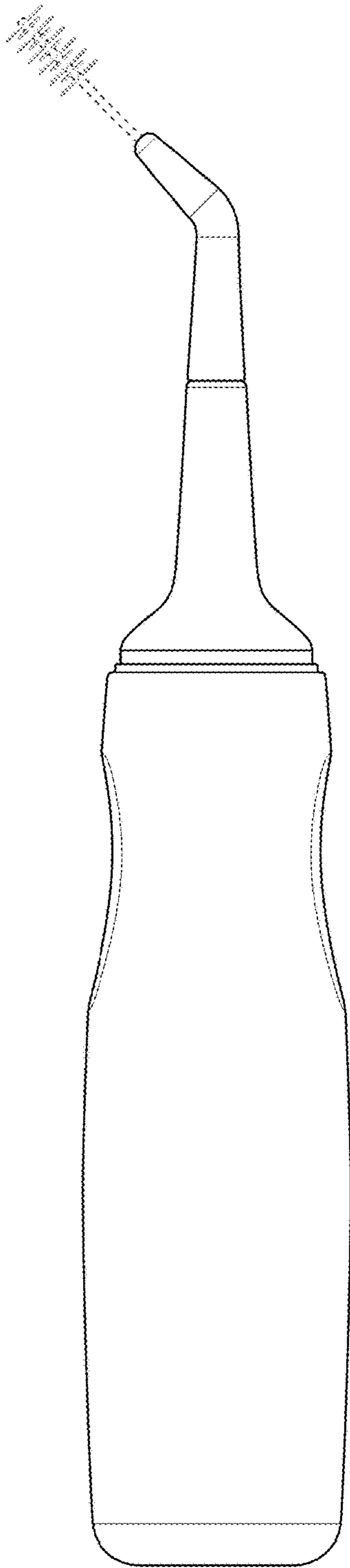


FIG. 4

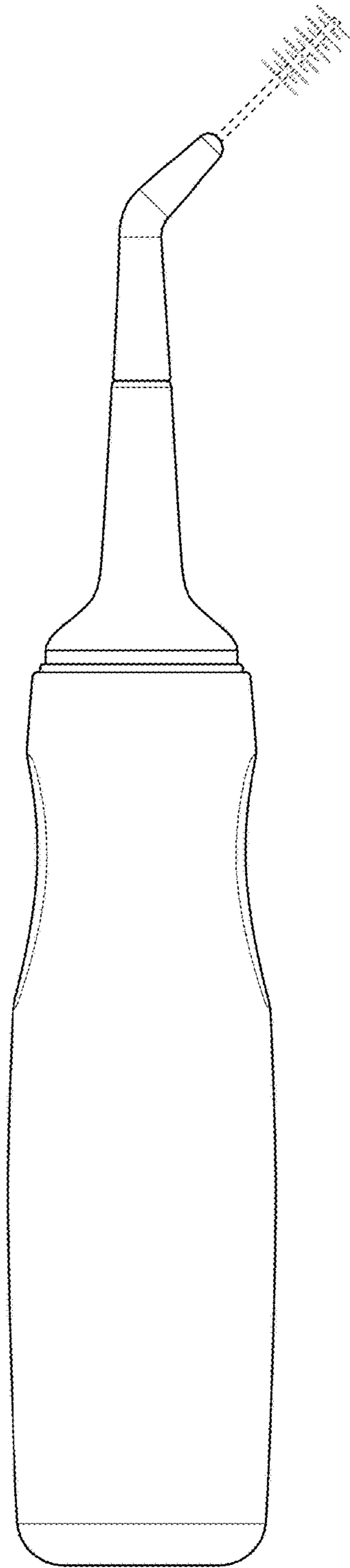


FIG. 5

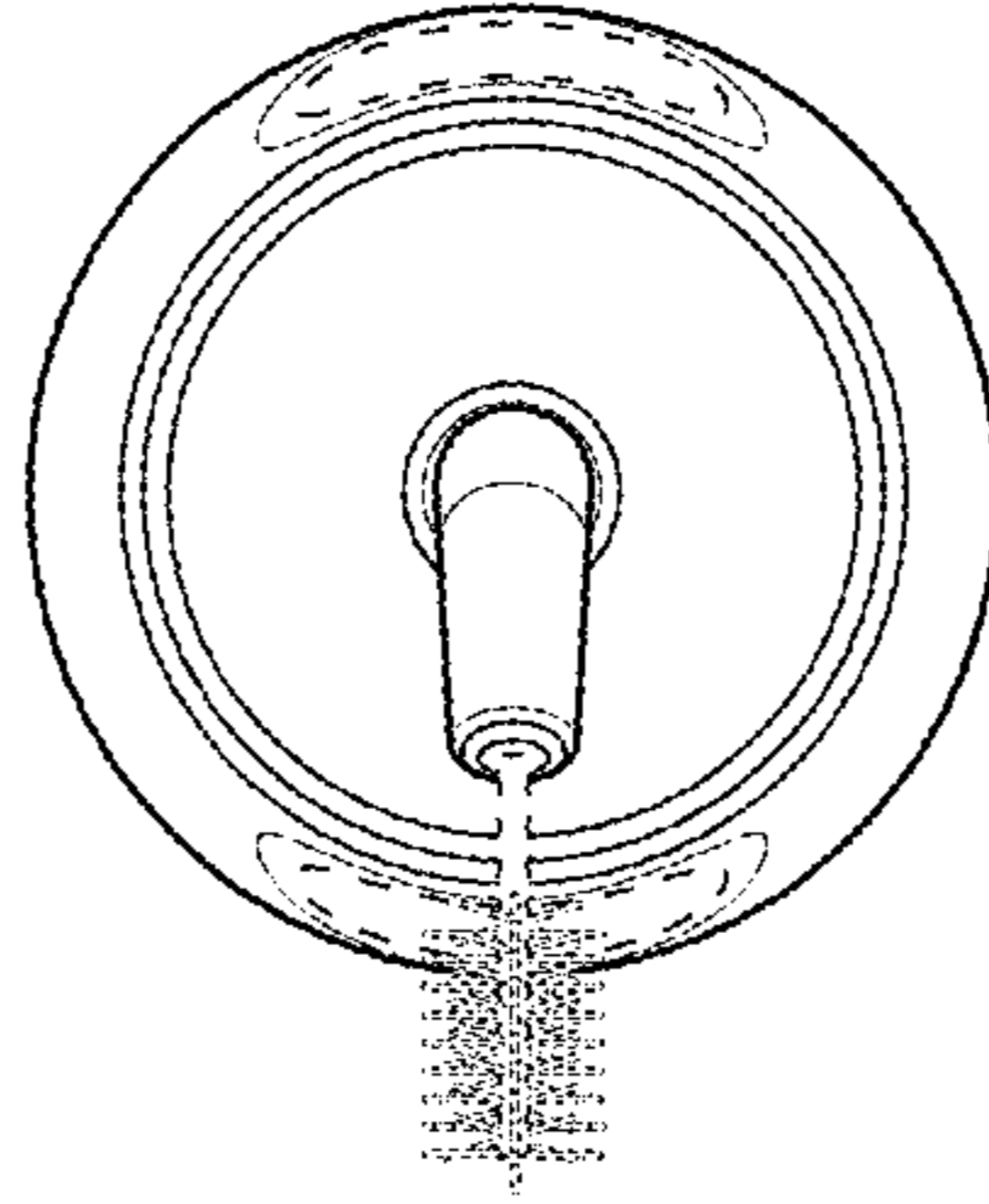


FIG. 6

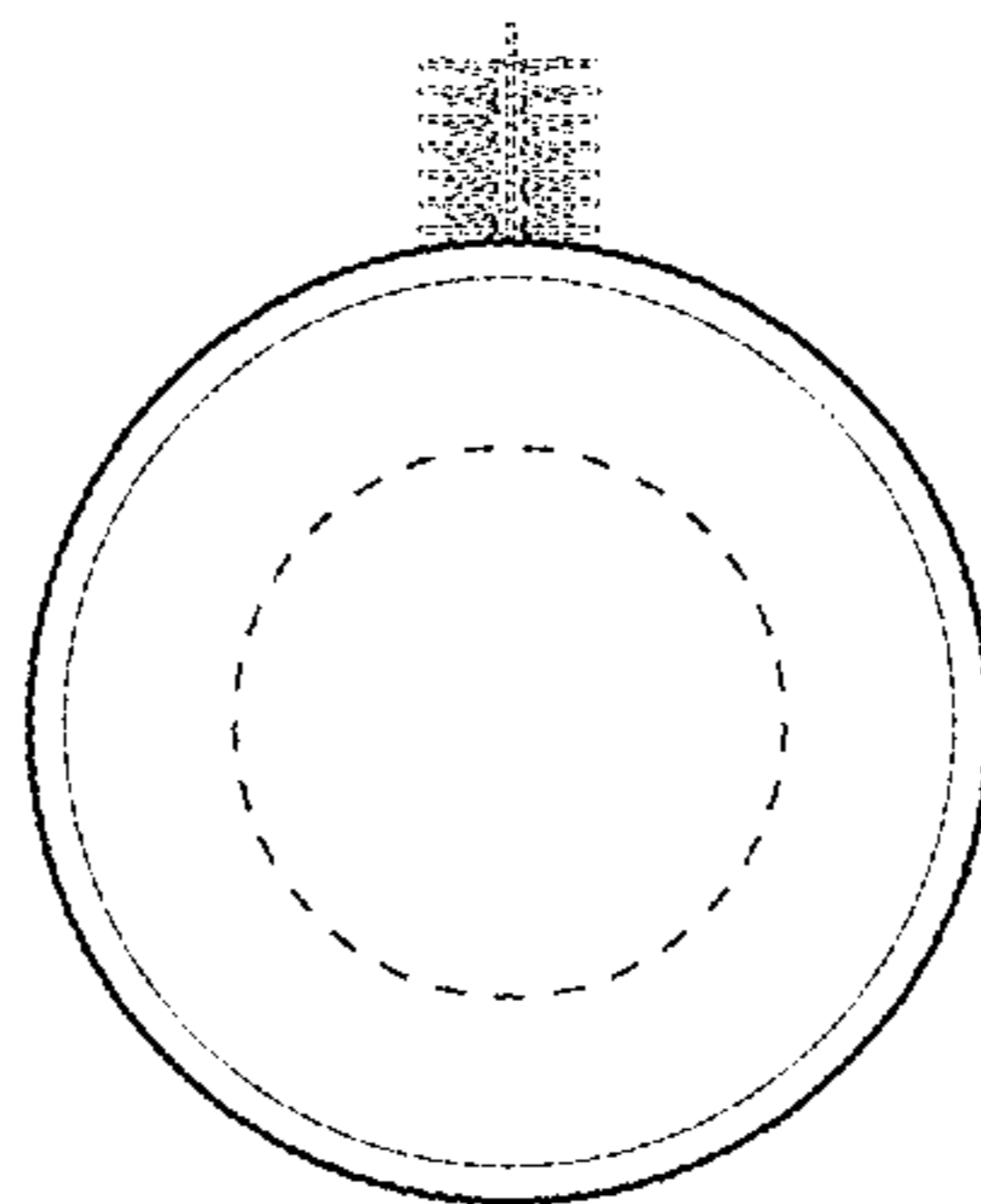


FIG. 7