

US00D790860S

(12) **United States Design Patent**  
**Bloch et al.**

(10) **Patent No.:** **US D790,860 S**  
(45) **Date of Patent:** **\*\* Jul. 4, 2017**

(54) **ELECTRIC TOOTHBRUSH BRUSH HEAD**

(71) Applicant: **COLGATE-PALMOLIVE COMPANY**, New York, NY (US)

(72) Inventors: **Brian Bloch**, Hillsborough, NJ (US);  
**Lars Ralf Rainer Lieberwirth**, Glashuetten (DE)

(73) Assignee: **COLGATE-PALMOLIVE COMPANY**, New York, NY (US)

(\*\*) Term: **15 Years**

(21) Appl. No.: **29/546,720**

(22) Filed: **Nov. 25, 2015**

(51) **LOC (10) Cl.** ..... **04-02**

(52) **U.S. Cl.**  
USPC ..... **D4/102**

(58) **Field of Classification Search**  
USPC ..... D4/101, 102, 104, 105, 109, 110, 111,  
D4/127, 128, 138; 15/167.1  
CPC ..... A46B 15/0097; A46B 9/005; A46B 9/026;  
A46B 3/22; A46B 5/0095; A46B 5/021;  
A46B 2200/1066; A61C 17/222  
See application file for complete search history.

(56) **References Cited**

U.S. PATENT DOCUMENTS

4,277,862	A	7/1981	Weideman	
D353,490	S	12/1994	Hartwein	
D354,168	S *	1/1995	Hartwein	D13/108
5,448,792	A	9/1995	Wiedemann et al.	
5,453,644	A	9/1995	Yap et al.	
5,577,285	A	11/1996	Drossler	
D388,958	S *	1/1998	Hartwein	D4/101
5,778,474	A	7/1998	Shek	
D411,769	S	7/1999	Wright	
6,000,083	A	12/1999	Blaustein et al.	
6,151,745	A	11/2000	Roberts et al.	
6,189,693	B1	2/2001	Blaustein et al.	
6,311,358	B1	11/2001	Soetewey et al.	

D458,029	S	6/2002	Li	
D470,660	S	2/2003	Schaber	
6,574,820	B1	6/2003	DePuydt et al.	
D477,715	S *	7/2003	Gatzemeyer	D4/101

(Continued)

FOREIGN PATENT DOCUMENTS

CA	2145065	11/2002	
CA	2727682	5/2003	

(Continued)

OTHER PUBLICATIONS

US 6,598,254, 07/2003, Blaustein et al. (withdrawn)  
US 6,598,254, 07/2003, Blaustein et al. (withdrawn).

*Primary Examiner* — Karen E Eldridge Powers

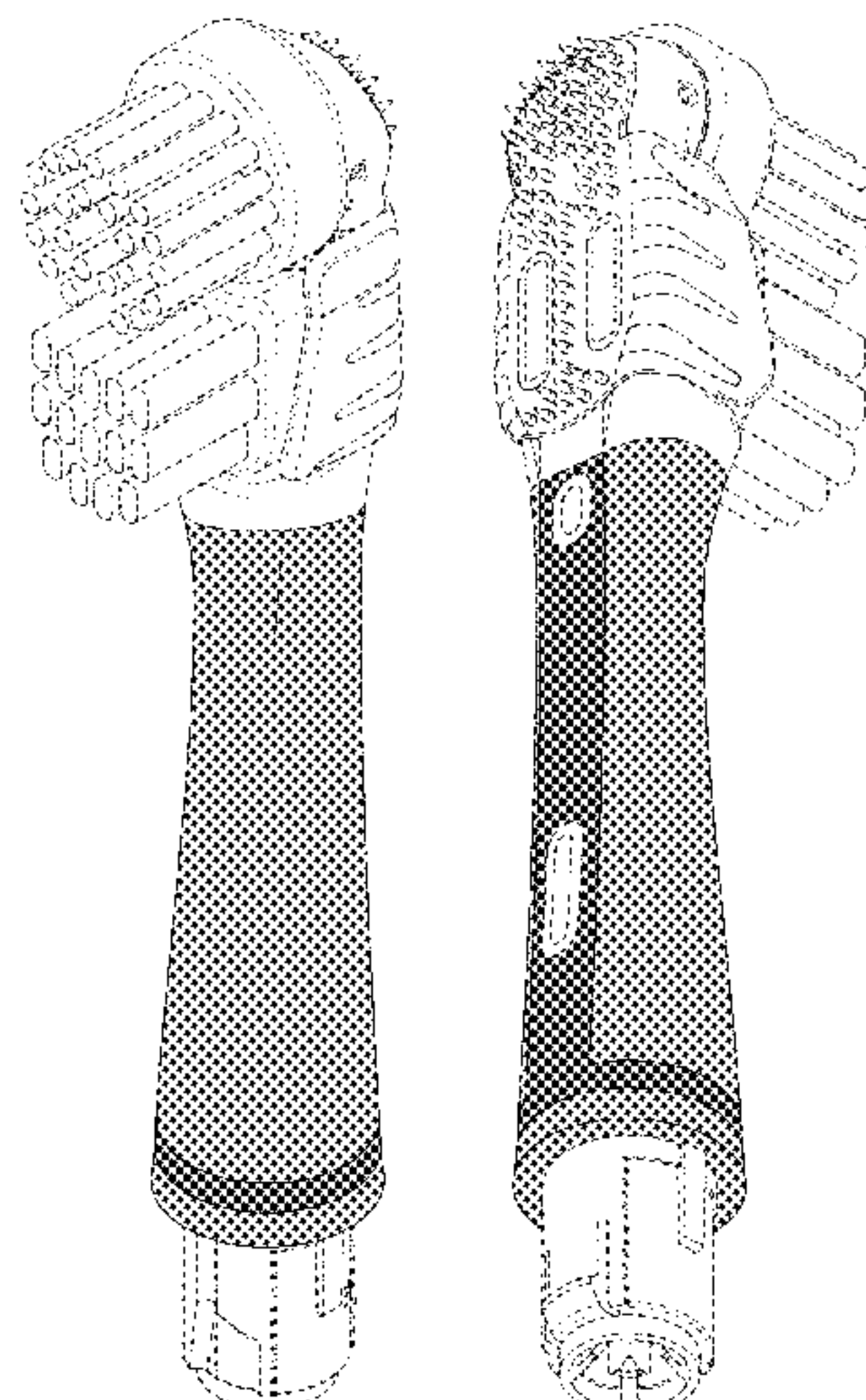
(57) **CLAIM**

The ornamental design for an electric toothbrush brush head, as shown and described.

**DESCRIPTION**

FIG. 1 is a front right perspective view of an electric toothbrush brush head according to an embodiment of the new design;  
FIG. 2 is a rear left perspective view thereof;  
FIG. 3 is a front elevation view thereof;  
FIG. 4 is a rear elevation view thereof;  
FIG. 5 is a right side elevation view thereof;  
FIG. 6 is a left side elevation view thereof;  
FIG. 7 is a top plan view thereof; and,  
FIG. 8 is a bottom plan view thereof.  
All broken lines shown in the drawings illustrate environmental structure and form no part of the claimed design. The long-short-long broken lines in the drawings define a boundary of the claimed design and form no part thereof. The difference in grayscale shading represents a contrast in coloring.

**1 Claim, 4 Drawing Sheets**



(56)

References Cited

U.S. PATENT DOCUMENTS

D478,214 S \* 8/2003 Winkler ..... D4/104  
 D479,402 S \* 9/2003 Gatzemeyer ..... D4/101  
 6,622,333 B1 \* 9/2003 Rehkemper ..... A61C 17/30  
 15/22.1  
 D480,563 S 10/2003 Hensel  
 D487,349 S 3/2004 Julian  
 6,725,490 B2 4/2004 Blaustein et al.  
 D500,208 S 12/2004 Vu  
 D503,852 S 4/2005 Hensel  
 6,886,207 B1 5/2005 Solanki  
 6,892,412 B2 \* 5/2005 Gatzemeyer ..... A61C 17/349  
 15/22.1  
 D510,662 S 10/2005 Kling et al.  
 6,952,854 B2 10/2005 Blaustein et al.  
 6,988,777 B2 1/2006 Pfenniger et al.  
 D527,903 S 9/2006 Chan  
 D527,905 S \* 9/2006 Winkler ..... D4/101  
 7,124,461 B2 10/2006 Blaustein et al.  
 7,143,462 B2 \* 12/2006 Hohlbein ..... A46B 9/026  
 15/106  
 D534,725 S 1/2007 Vu  
 D536,876 S 2/2007 Chan et al.  
 7,197,784 B2 4/2007 Wong  
 D547,951 S 8/2007 Ullmann et al.  
 7,269,872 B2 9/2007 Fattori et al.  
 D558,455 S \* 1/2008 Chan ..... D4/101  
 D563,106 S 3/2008 Chan et al.  
 7,386,904 B2 \* 6/2008 Fattori ..... B26B 19/28  
 15/167.1  
 D577,198 S 9/2008 Jimenez et al.  
 7,419,225 B2 \* 9/2008 Fischer ..... A46D 1/0284  
 15/167.1  
 7,451,514 B2 11/2008 Blaustein et al.  
 D582,162 S \* 12/2008 Moskovich ..... D4/108  
 D582,163 S \* 12/2008 Moskovich ..... D4/108  
 7,458,647 B2 12/2008 Fischer et al.  
 7,552,497 B2 \* 6/2009 Gatzemeyer ..... A46B 13/02  
 15/22.1  
 7,640,614 B2 \* 1/2010 Brown ..... A61C 17/349  
 15/22.1  
 D611,712 S 3/2010 Stoerkel et al.  
 7,698,771 B2 \* 4/2010 Gall ..... A61C 17/3463  
 15/22.1  
 7,707,676 B2 5/2010 Solanki  
 7,748,070 B2 \* 7/2010 Chan ..... A46B 15/0036  
 15/22.1  
 7,765,629 B2 \* 8/2010 Kressner ..... A61C 17/3454  
 15/22.1  
 D625,104 S 10/2010 Winkler  
 D625,105 S 10/2010 Winkler  
 D632,894 S 2/2011 Shigeno et al.  
 7,900,309 B2 \* 3/2011 Gatzemeyer ..... A61C 17/349  
 15/22.1  
 7,941,886 B2 5/2011 Chenvainu et al.  
 7,975,344 B2 7/2011 Braun et al.  
 7,992,244 B2 8/2011 Prineppi  
 8,060,970 B2 11/2011 Solanki  
 D651,805 S 1/2012 Hay et al.  
 D653,035 S 1/2012 Gebski  
 8,225,449 B2 \* 7/2012 Gatzemeyer ..... A46B 5/021  
 15/105  
 8,234,742 B2 8/2012 Blaustein et al.  
 D669,687 S 10/2012 Heil et al.  
 8,332,982 B2 12/2012 Braun et al.  
 8,332,985 B2 12/2012 Solanki  
 D673,775 S 1/2013 Jimenez et al.  
 D674,608 S \* 1/2013 Jimenez ..... D4/101  
 D676,662 S 2/2013 Jimenez et al.  
 8,370,984 B2 2/2013 Farrell et al.  
 8,393,042 B2 \* 3/2013 Moskovich ..... A46B 5/0029  
 15/167.1  
 8,418,301 B2 4/2013 Kressner  
 8,424,144 B2 \* 4/2013 Nanda ..... A46B 15/0002  
 15/105

8,434,183 B2 5/2013 Fritsch et al.  
 8,468,634 B2 6/2013 Iwahori et al.  
 8,517,728 B2 \* 8/2013 Gatzemeyer ..... A46B 11/001  
 401/270  
 8,528,148 B2 9/2013 Brown, Jr. et al.  
 8,584,299 B2 11/2013 Chan et al.  
 8,635,734 B2 \* 1/2014 Chun ..... A46B 9/028  
 15/167.1  
 D703,443 S \* 4/2014 Gatzemeyer ..... D4/101  
 D711,655 S \* 8/2014 Gatzemeyer ..... D4/101  
 D719,738 S \* 12/2014 Gatzemeyer ..... D4/101  
 9,301,821 B2 \* 4/2016 Fattori ..... A61C 17/3436  
 D769,626 S \* 10/2016 Bloch ..... D4/101  
 2002/0084550 A1 7/2002 Roberts et al.  
 2003/0084524 A1 5/2003 Blaustein et al.  
 2003/0084525 A1 \* 5/2003 Blaustein ..... A61C 17/3472  
 15/22.1  
 2004/0049867 A1 \* 3/2004 Hui ..... A61C 17/349  
 15/22.1  
 2004/0087882 A1 5/2004 Roberts et al.  
 2004/0107521 A1 \* 6/2004 Chan ..... A46B 9/028  
 15/28  
 2004/0177458 A1 9/2004 Chan et al.  
 2004/0200016 A1 10/2004 Chan et al.  
 2005/0050659 A1 \* 3/2005 Chan ..... A46B 15/0036  
 15/22.1  
 2005/0086753 A1 4/2005 Roberts et al.  
 2005/0125919 A1 \* 6/2005 Fattori ..... B26B 19/28  
 15/22.1  
 2006/0032006 A1 \* 2/2006 Brown ..... A61C 17/34  
 15/22.1  
 2006/0085931 A1 4/2006 Roberts et al.  
 2007/0234496 A1 10/2007 Roberts et al.  
 2010/0251493 A1 10/2010 Sale et al.  
 2011/0047729 A1 3/2011 Iwahori et al.  
 2011/0083288 A1 4/2011 Kressner  
 2012/0036655 A1 2/2012 Fritsch et al.  
 2012/0204365 A1 8/2012 Kressner  
 2012/0246846 A1 10/2012 Hall  
 2016/0338808 A1 \* 11/2016 Bloch ..... A61C 17/221  
 2016/0338811 A1 \* 11/2016 Bloch ..... A61C 17/3418

FOREIGN PATENT DOCUMENTS

CA 2727867 5/2003  
 CA D106400 6/2004  
 CA D106401 6/2004  
 CA 2644300 11/2004  
 CA D103743 1/2005  
 CA 2 221796 5/2005  
 CA 2374479 12/2005  
 CA D111559 7/2006  
 CA 2199970 5/2007  
 CA 2634392 6/2007  
 CA 2649473 11/2007  
 CA 2803801 8/2008  
 CA 2550728 10/2008  
 CA 2465486 1/2009  
 CA 2465488 1/2009  
 CA D121892 1/2009  
 CA D121894 1/2009  
 CA 2532727 2/2009  
 CA 2494755 5/2009  
 CA 2523180 7/2009  
 CA 2462435 10/2009  
 CA 2477314 10/2009  
 CA 2591699 11/2009  
 CA 2742912 5/2010  
 CA 2755997 9/2010  
 CA 2760067 10/2010  
 CA 2766373 12/2010  
 CA 2497733 2/2011  
 CA 2465902 5/2011  
 CA 2579039 5/2011  
 CA 2589607 5/2011  
 CA 2644304 6/2011  
 CA 2781242 6/2011  
 CA 2781245 6/2011



(56)

References Cited

FOREIGN PATENT DOCUMENTS

CA 2518405 7/2011  
 CA D140845 1/2012  
 CA D140847 1/2012  
 CA D142396 1/2012  
 CA 2479945 8/2012  
 CA 2521848 8/2012  
 CA 2514911 11/2012  
 CA 2781418 12/2012  
 CA D135253 12/2012  
 CA 2548425 1/2013  
 CA 2549461 2/2013  
 CA 2759094 4/2013  
 CD 000037007-0001 6/2003  
 CD 000065255-0001 7/2003  
 CD 000065255-0002 7/2003  
 CD 000065255-0003 7/2003  
 CD 000101076-0001 2/2004  
 CD 000101076-0002 2/2004  
 CD 000774484-0003 1/2008  
 CD 001127815-0001 6/2009  
 CD 001775412-0001 10/2010  
 CD 002078147-0001 7/2012  
 CD 002163675-0001 1/2013  
 CD 002174730-0001 1/2013  
 CD 002174730-0002 1/2013  
 CN 1424001 6/2003  
 CN 2636836 9/2004  
 CN 1548011 11/2004  
 CN 2652351 11/2004  
 CN 1568901 1/2005  
 CN 201042465 4/2008  
 CN 300909803 4/2009  
 CN 300966813 7/2009  
 CN 201370645 12/2009  
 CN 301354565 S 9/2010  
 CN 201727600 2/2011  
 CN 201727601 2/2011  
 CN 301548727 S 5/2011  
 CN 301555643 S 5/2011  
 CN 201870760 6/2011  
 CN 301561706 \* 6/2011  
 CN 202113181 1/2012  
 CN 303073307 \* 1/2015  
 EM 000102827-0007 7/2005  
 EM 001413199-001 6/2014  
 EP 0360766 3/1990  
 EP 0628291 12/1994  
 EP 1776893 1/2001  
 EP 1093770 4/2001  
 EP 1485039 11/2002  
 EP 1641602 6/2004

EP 2092845 9/2004  
 EP 2111181 12/2007  
 EP 2441159 6/2010  
 EP 2289463 3/2011  
 GB 395624 7/1933  
 GB 2303855 3/1997  
 RU 57329 8/2005  
 RU 57797 9/2005  
 RU 68516 12/2008  
 RU 69783 4/2009  
 RU 74165 3/2010  
 RU 75350 7/2010  
 RU 75625 7/2010  
 WO WO 96/31171 10/1996  
 WO WO 96/37164 11/1996  
 WO WO 98/01083 1/1998  
 WO WO 99/37181 7/1999  
 WO WO 00/44259 8/2000  
 WO WO 01/19281 3/2001  
 WO WO 01/28452 4/2001  
 WO WO 03/017861 3/2003  
 WO WO 03/024353 3/2003  
 WO WO 03/039393 5/2003  
 WO WO 03/039396 5/2003  
 WO WO 03/039397 5/2003  
 WO WO 03/055351 7/2003  
 WO WO 03/075712 9/2003  
 WO WO 2004/045448 6/2004  
 WO WO 2004/056235 7/2004  
 WO WO 2004/080330 9/2004  
 WO WO 2004/091340 10/2004  
 WO WO 2004/093719 11/2004  
 WO WO 2005/009274 2/2005  
 WO WO 2005/032398 4/2005  
 WO WO 2005/063143 7/2005  
 WO WO 2005/063144 7/2005  
 WO WO 2005/115196 12/2005  
 WO WO 2006/029235 3/2006  
 WO WO 2006/063226 6/2006  
 WO WO 2008/029377 3/2008  
 WO WO 2010/023644 3/2010  
 WO WO 2010/025820 3/2010  
 WO WO 2010/051080 5/2010  
 WO WO 2010/106522 9/2010  
 WO WO 2010/113140 10/2010  
 WO WO 2010/143166 12/2010  
 WO WO 2010/151582 12/2010  
 WO WO 2011/072865 6/2011  
 WO WO 2011/077290 6/2011  
 WO WO 2011/116935 9/2011  
 WO WO 2012/030908 3/2012  
 WO WO 2012/042493 4/2012  
 WO WO 2013/021716 2/2013

\* cited by examiner

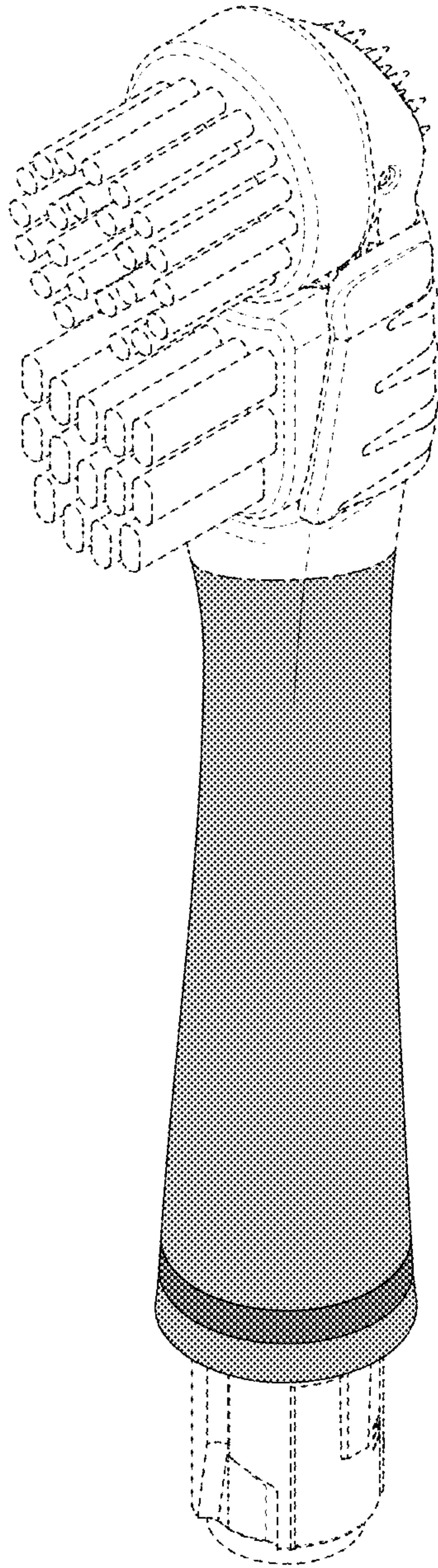


FIG. 1

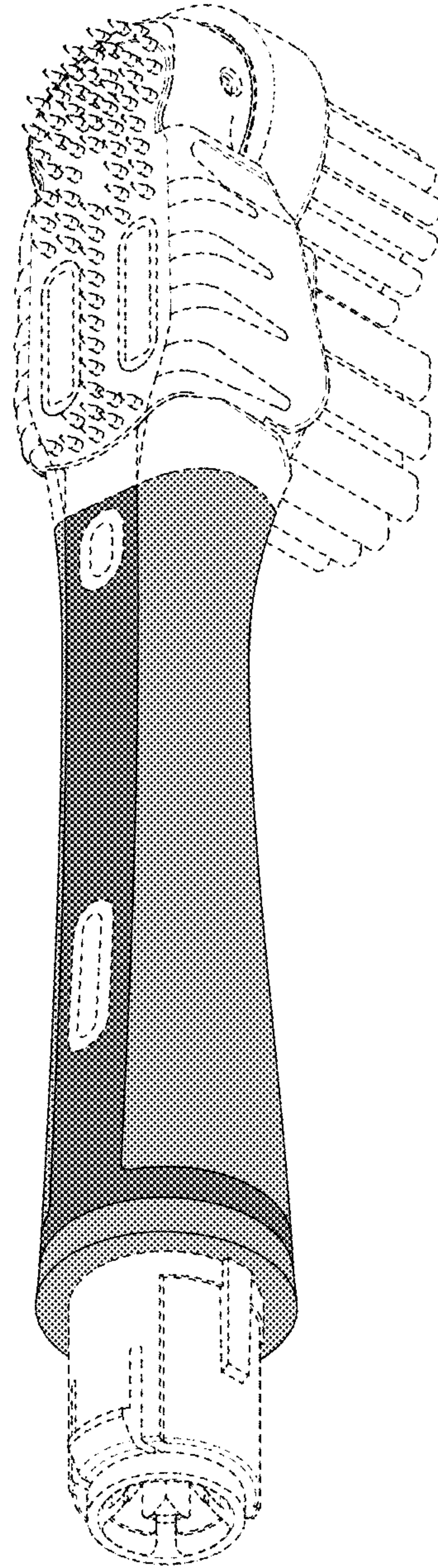


FIG. 2



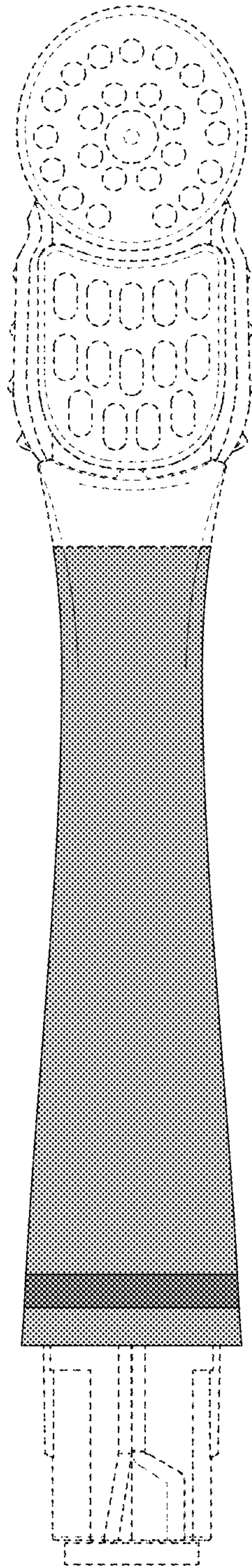


FIG. 3

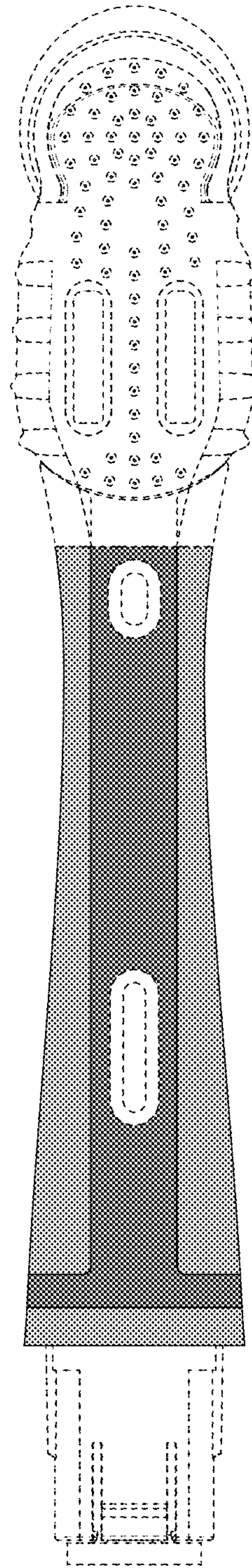


FIG. 4

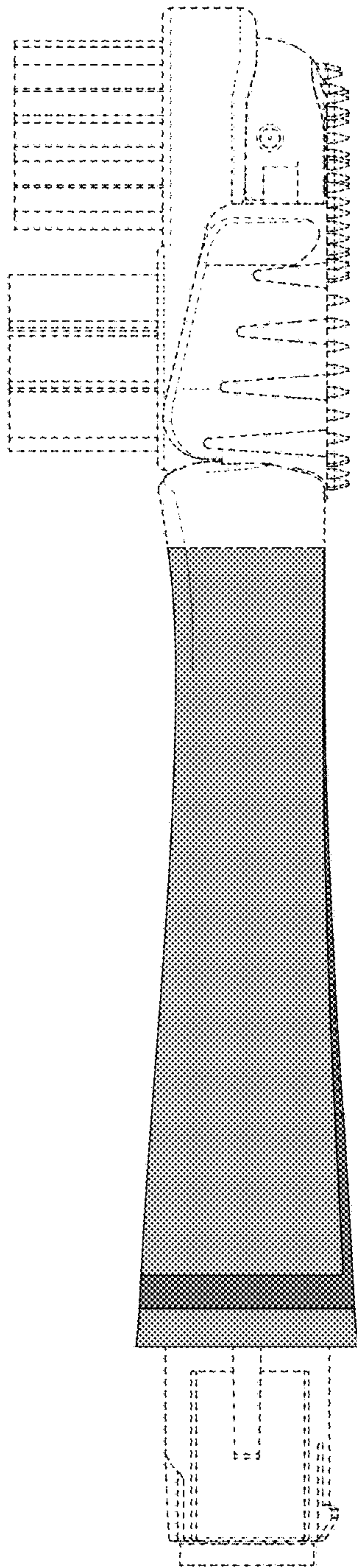


FIG. 5

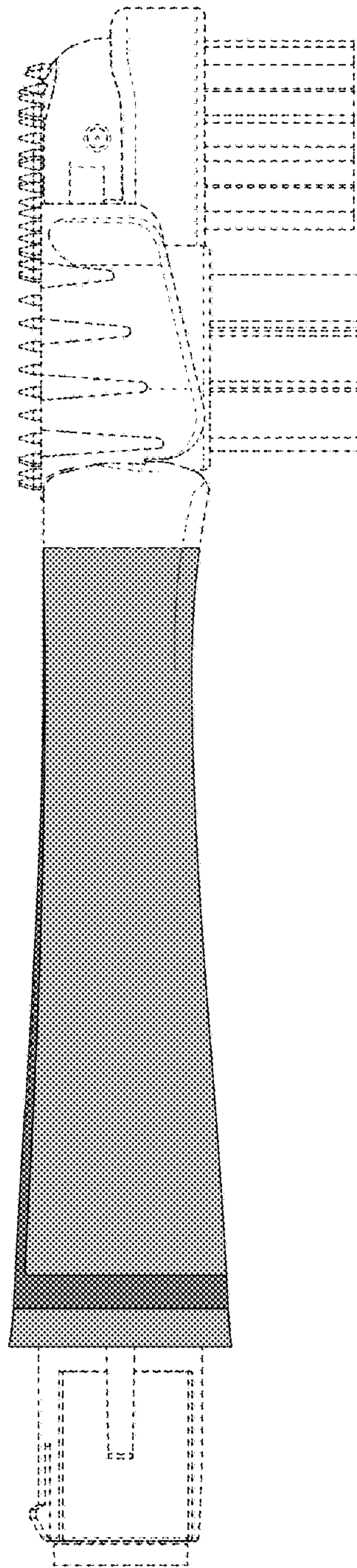


FIG. 6

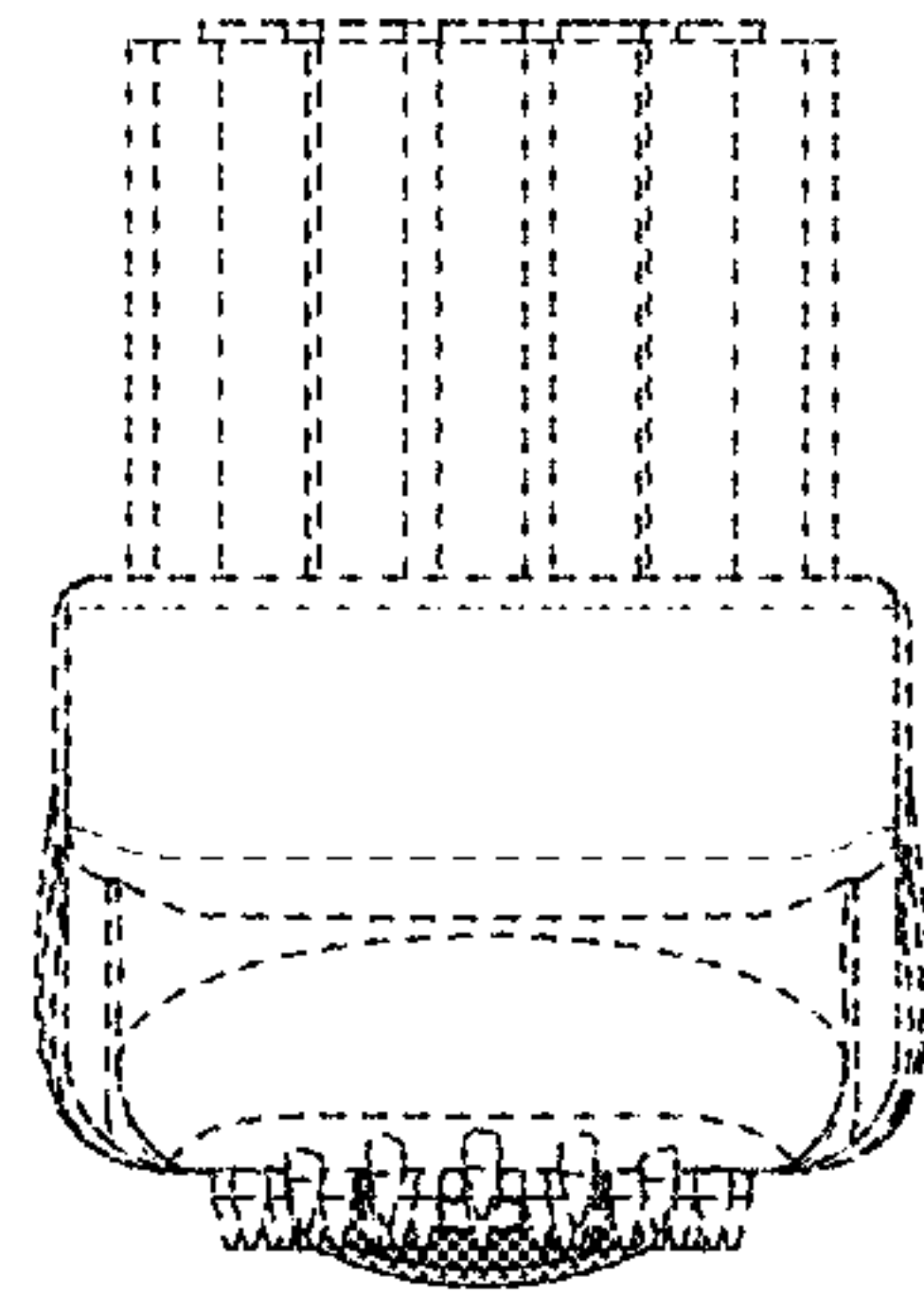


FIG. 7

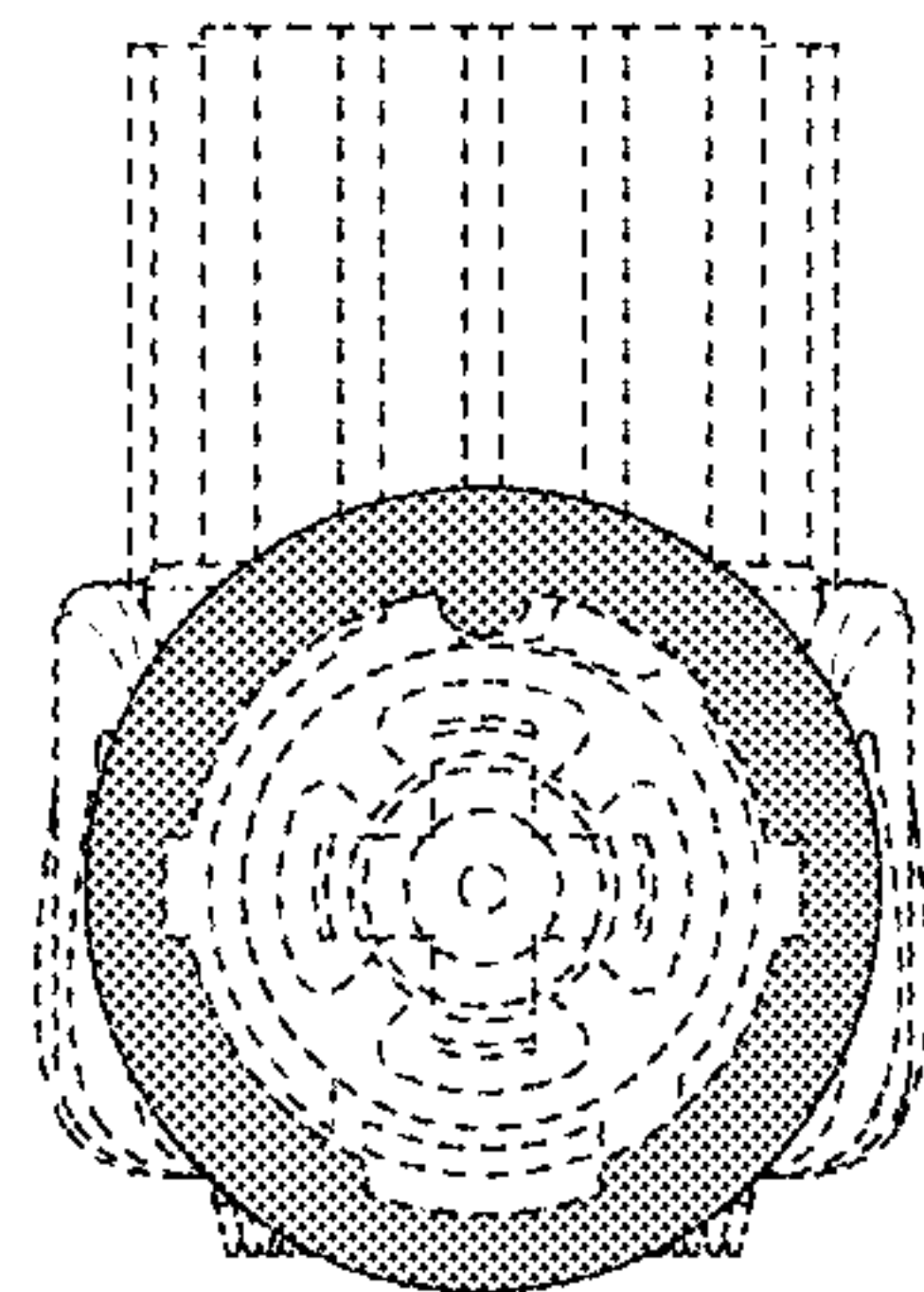


FIG. 8