



US00D790857S

(12) **United States Design Patent**
Pabonan

(10) **Patent No.:** **US D790,857 S**

(45) **Date of Patent:** **** Jul. 4, 2017**

(54) **FOLDABLE CARRY ALL**

(71) Applicant: **Merriam E. Pabonan, LLC**, Pacifica, CA (US)

(72) Inventor: **Merriam E. Pabonan**, Pacifica, CA (US)

(73) Assignee: **Merriam E. Pabonan, LLC**, Pacifica, CA (US)

(**) Term: **15 Years**

(21) Appl. No.: **29/563,404**

(22) Filed: **May 4, 2016**

(51) **LOC (10) Cl.** **03-01**

(52) **U.S. Cl.**
USPC **D3/310**

(58) **Field of Classification Search**
USPC D3/304, 305, 307, 308–311, 312, 313,
D3/314, 315; D6/672, 675, 675.1;
D7/550.1, 552.1, 553.1, 553.2, 554.3,
D7/554.4, 555

CPC B65D 1/225; B65D 5/00; B65D 5/3607;
B65D 5/42; B65D 1/34; B65D 1/36;
B65D 3/24

See application file for complete search history.

(56) **References Cited**

U.S. PATENT DOCUMENTS

D155,392 S * 10/1949 Danielson D3/309
D168,277 S * 11/1952 Roberts 211/1
3,167,211 A * 1/1965 McCormick B65D 71/0003
206/170
3,359,873 A * 12/1967 Carle B65D 71/0003
206/203
D229,123 S * 11/1973 Fry D3/308
D331,307 S * 11/1992 McConnell D3/308
D542,034 S * 5/2007 Romano D25/68

D649,786 S * 12/2011 Lipfert D3/308
D662,712 S * 7/2012 Rodriguez D3/310
D700,780 S * 3/2014 Carrier D3/304

* cited by examiner

Primary Examiner — Kelley Donnelly

(74) *Attorney, Agent, or Firm* — Levine Bagade Han LLP

(57) **CLAIM**

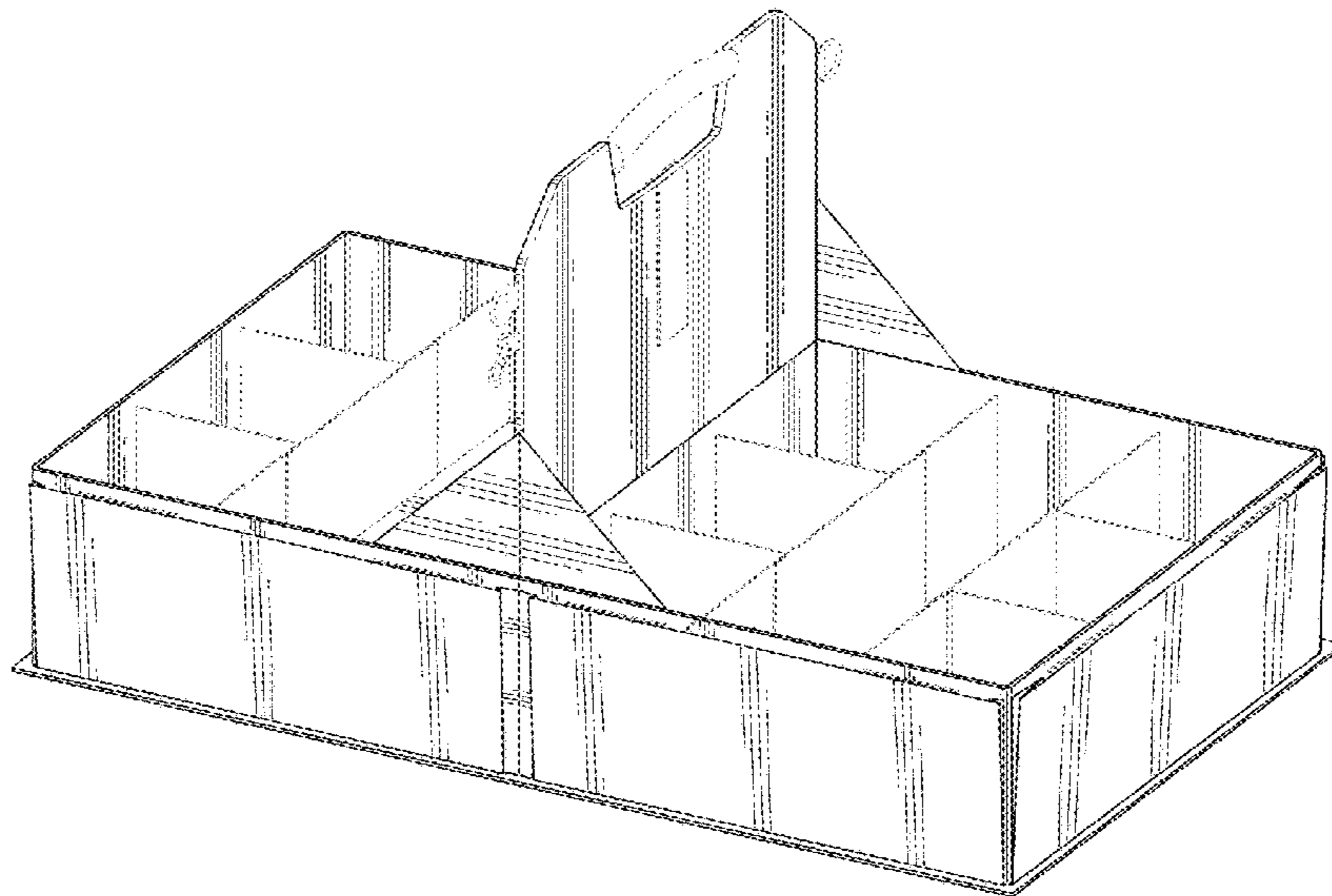
The ornamental design for a foldable carry all, as shown and described.

DESCRIPTION

FIG. 1 is a perspective view of a foldable carry all;
FIG. 2 is a right side view of the foldable carry all shown in FIG. 1;
FIG. 3 is a left side view of the foldable carry all shown in FIG. 1;
FIG. 4 is a front view of the foldable carry all shown in FIG. 1;
FIG. 5 is a rear view of the foldable carry all shown in FIG. 1;
FIG. 6 is a top plan view of the foldable carry all shown in FIG. 1;
FIG. 7 is a bottom plan view of the foldable carry all shown in FIG. 1;
FIG. 8 is a perspective view of the foldable carry all shown in FIG. 1 with inside dividers concealed;
FIG. 9 is a perspective view of the foldable carry all shown in FIG. 1 with one side folded;
FIG. 10 is a right side view of the foldable carry all shown in FIG. 1 with one side folded;
FIG. 11 is a perspective view of the foldable carry all shown in FIG. 1 with both sides folded; and
FIG. 12 is a right side view of the foldable carry all shown in FIG. 1 with both sides folded.

The elements shown in broken lines are to show environment and form no part of the claimed design.

1 Claim, 12 Drawing Sheets



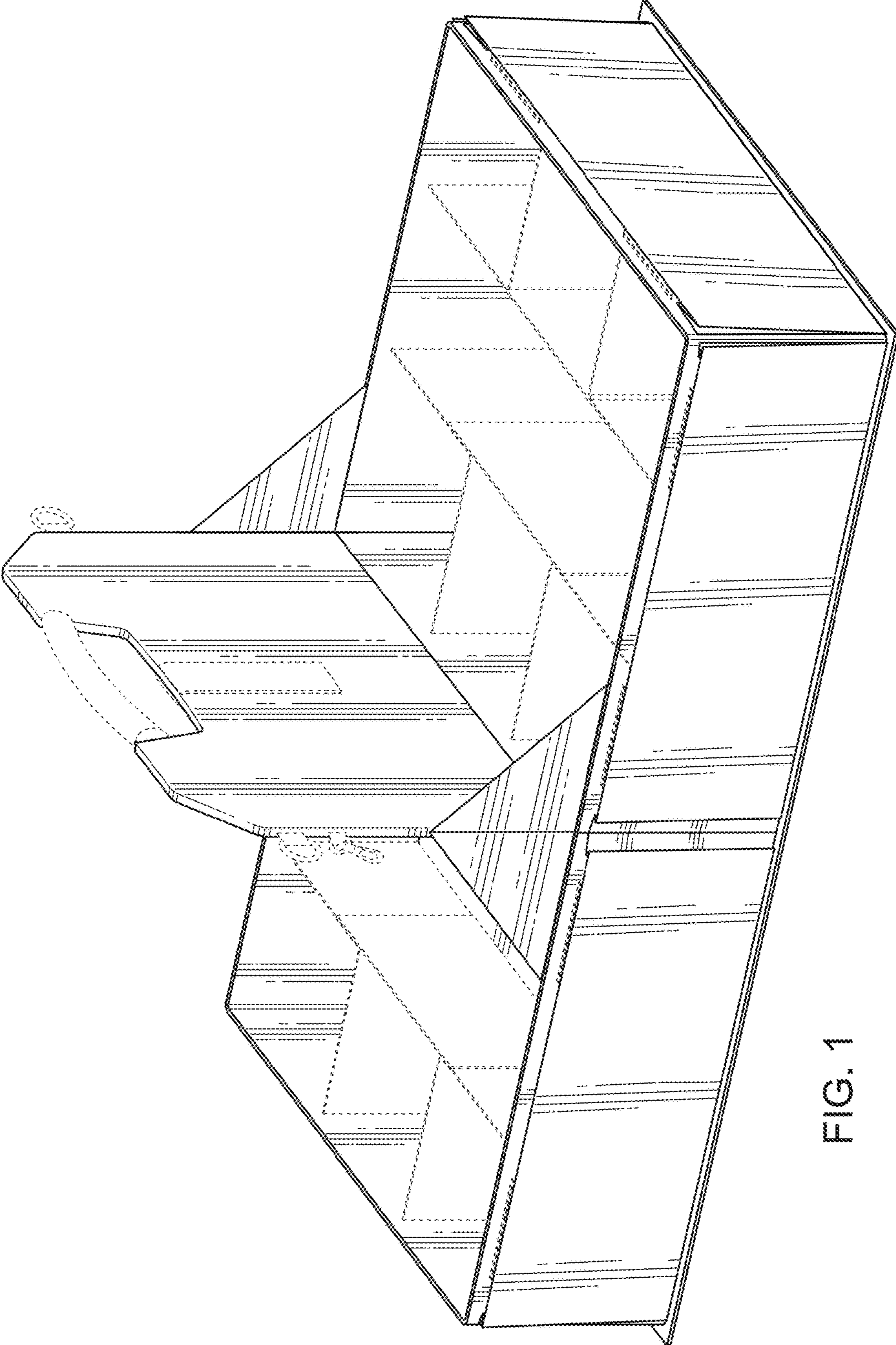


FIG. 1

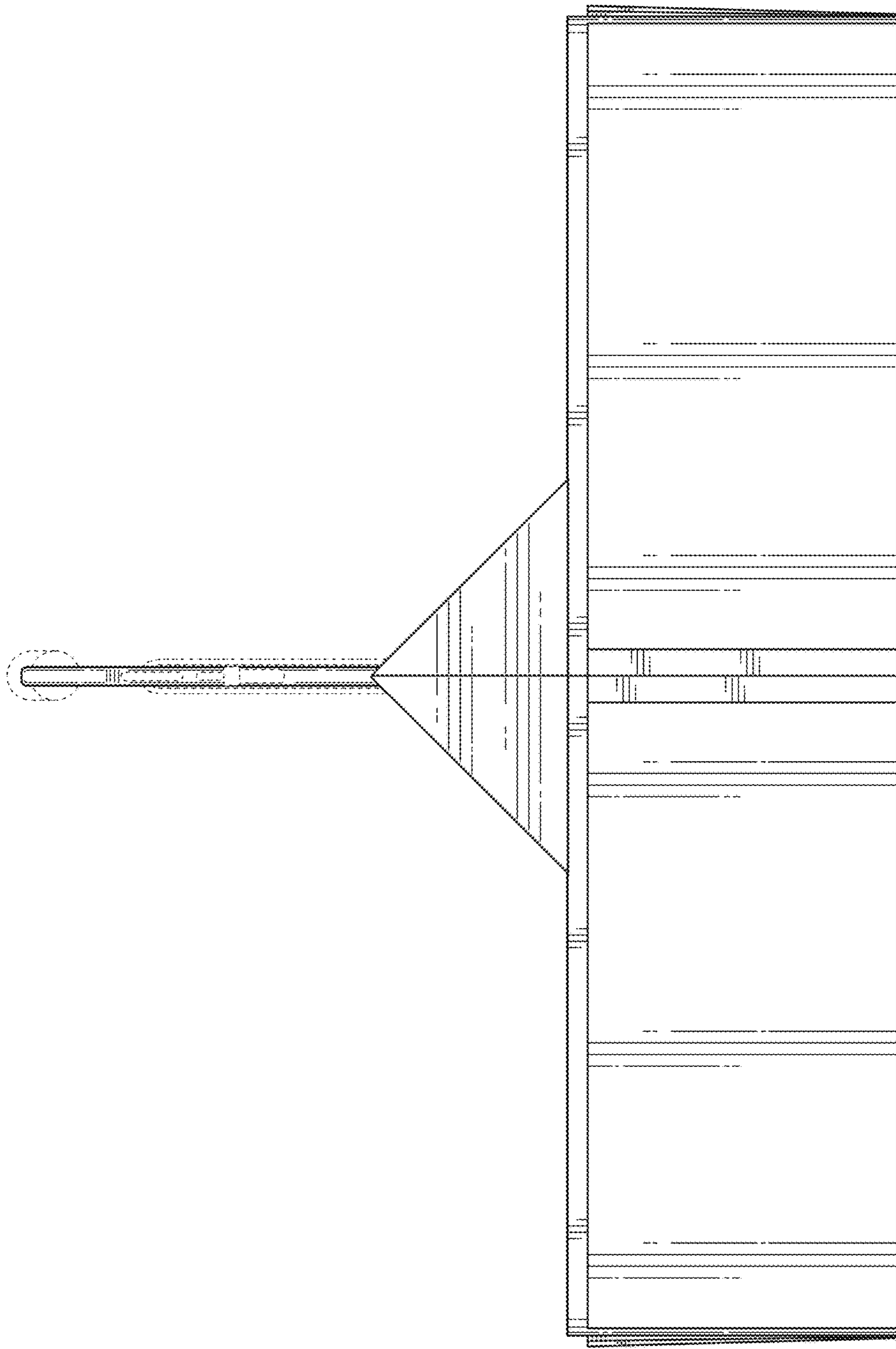


FIG. 2

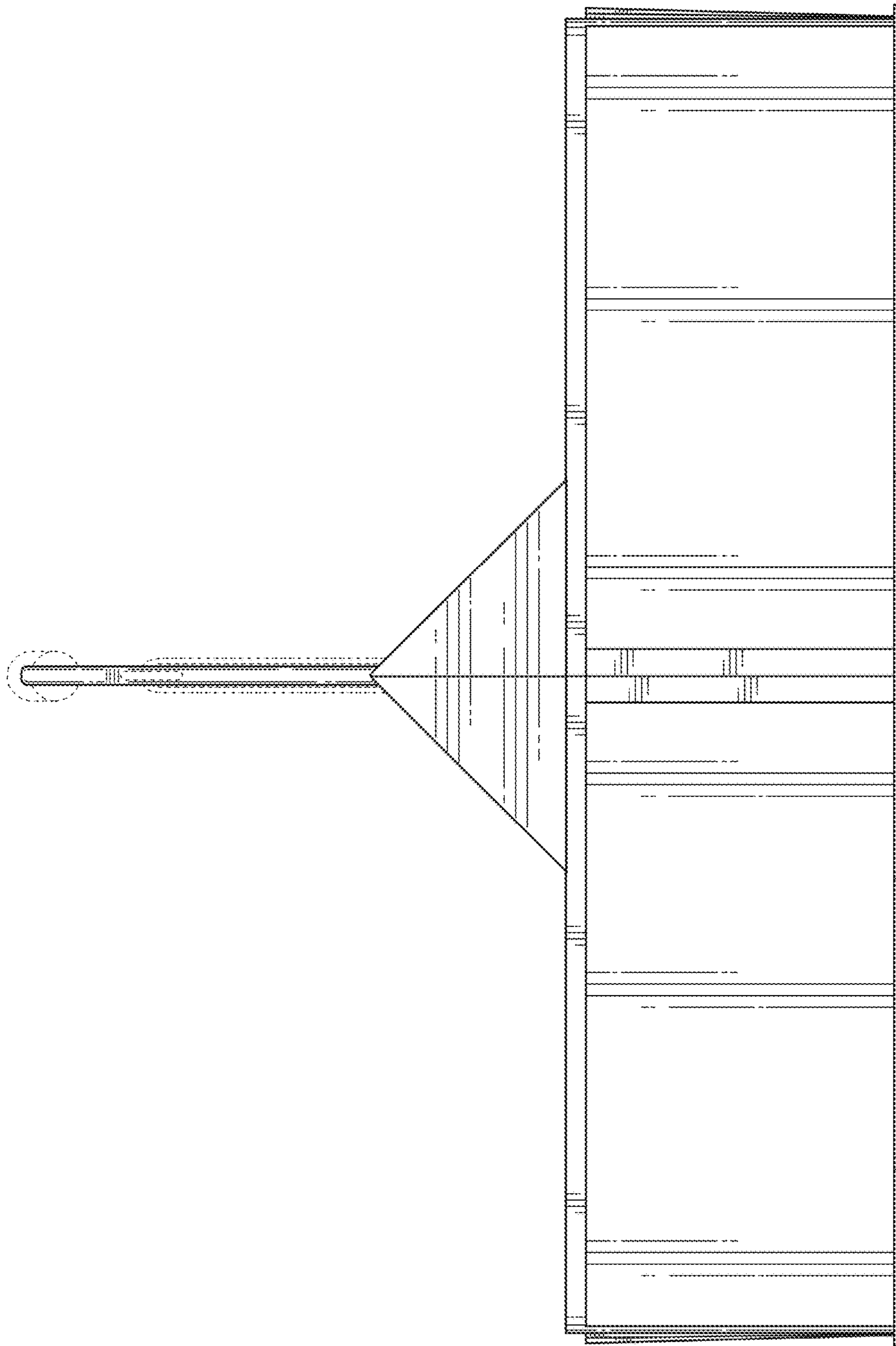


FIG. 3

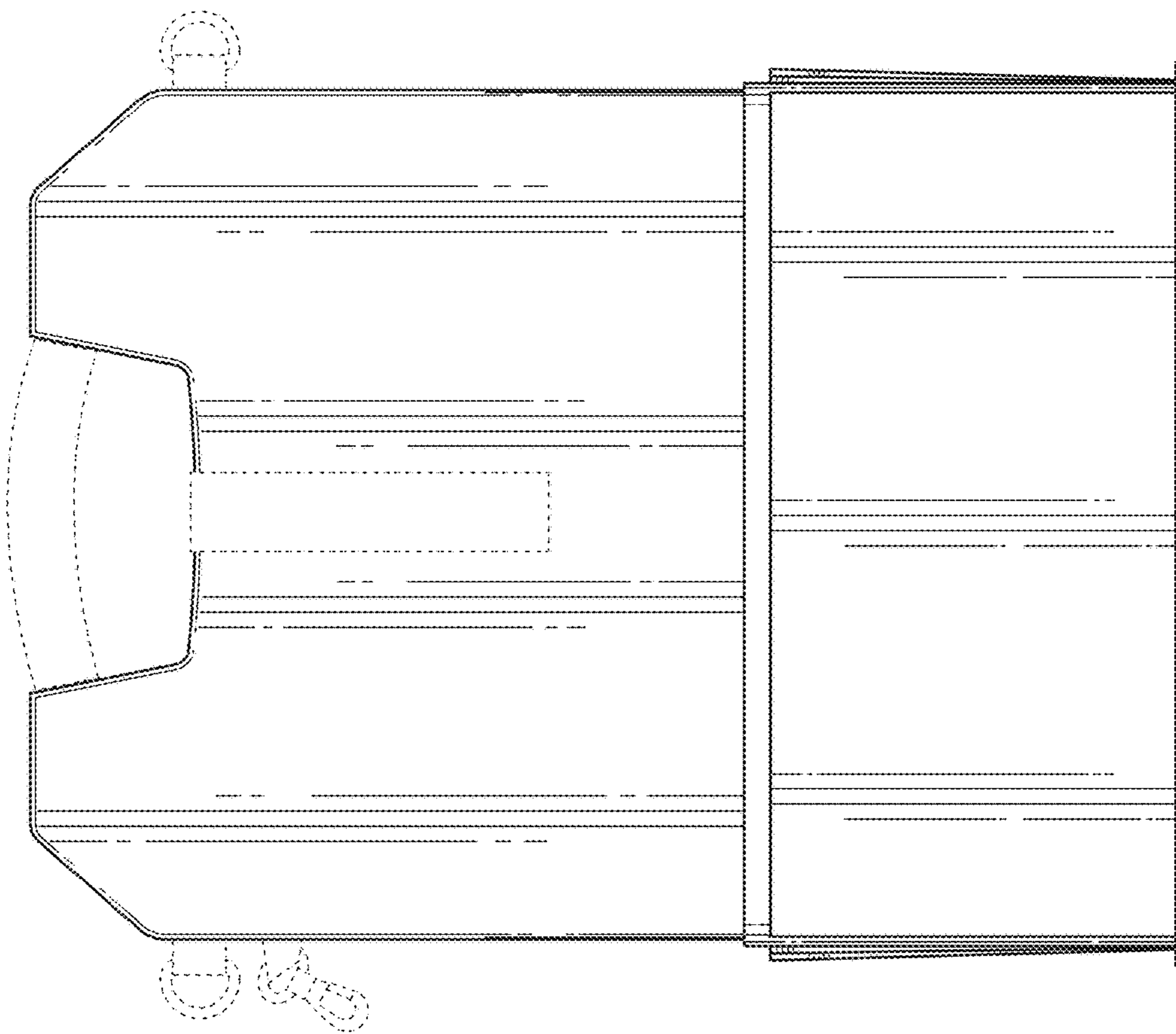


FIG. 4

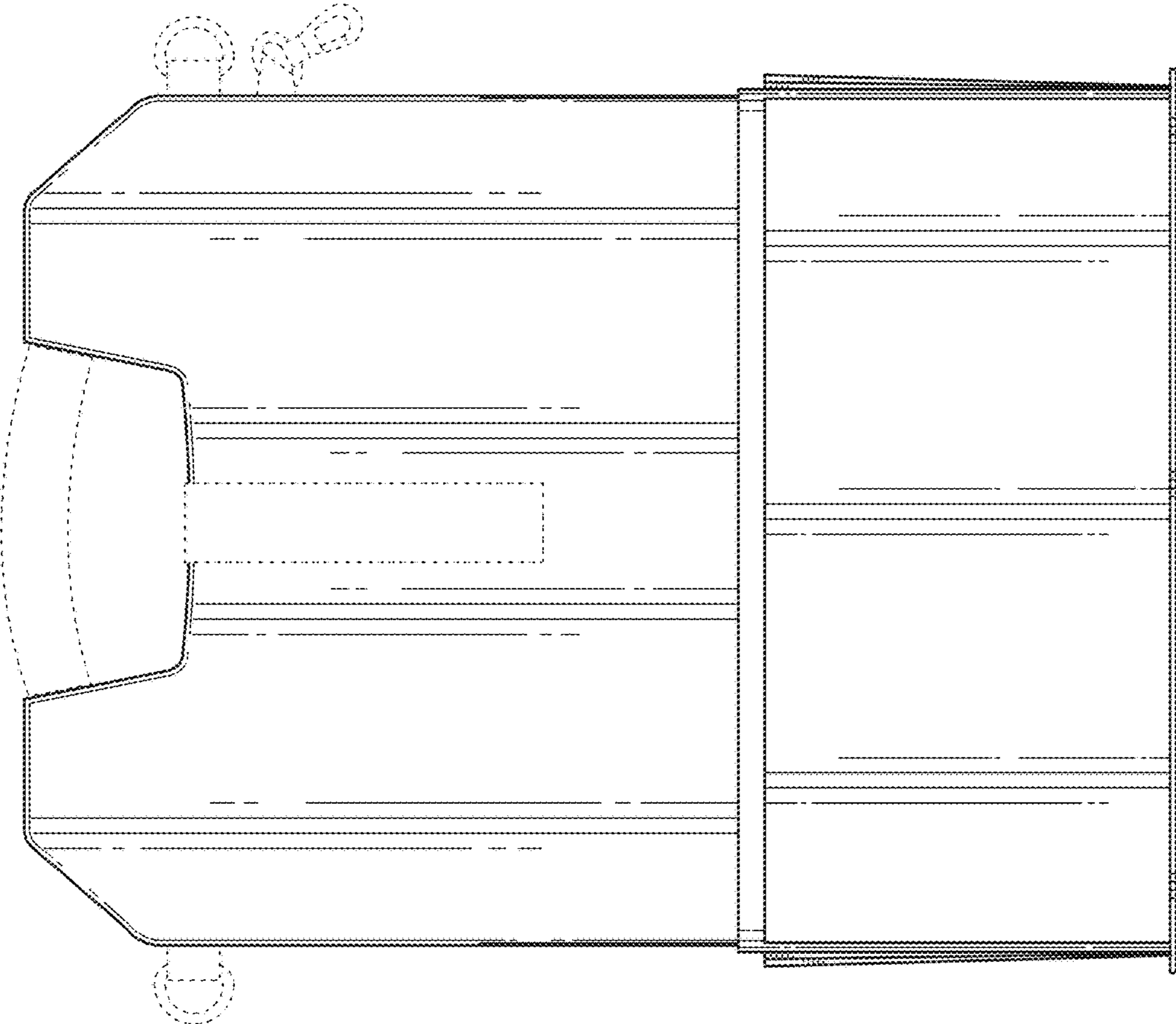


FIG. 5

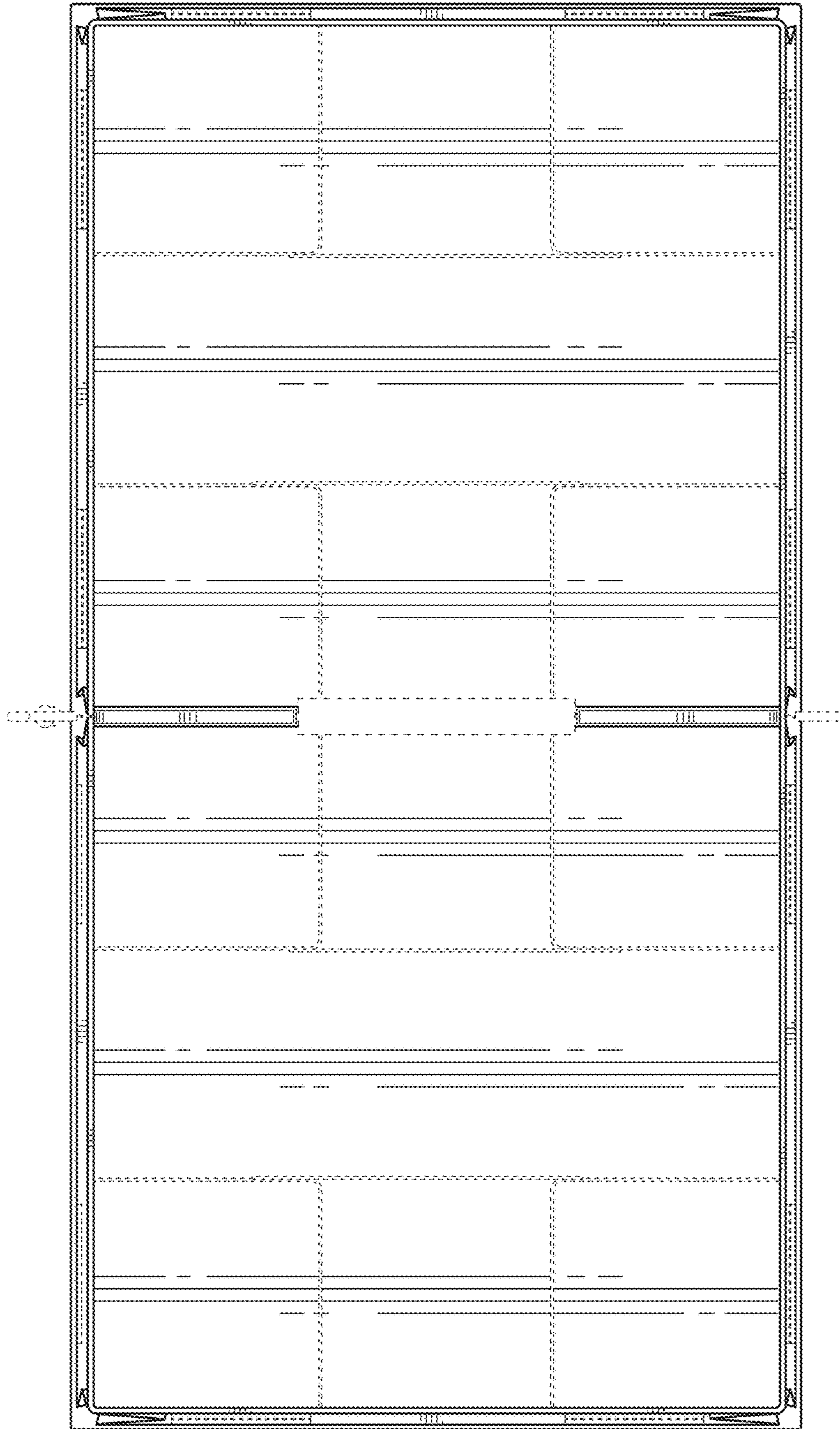


FIG. 6

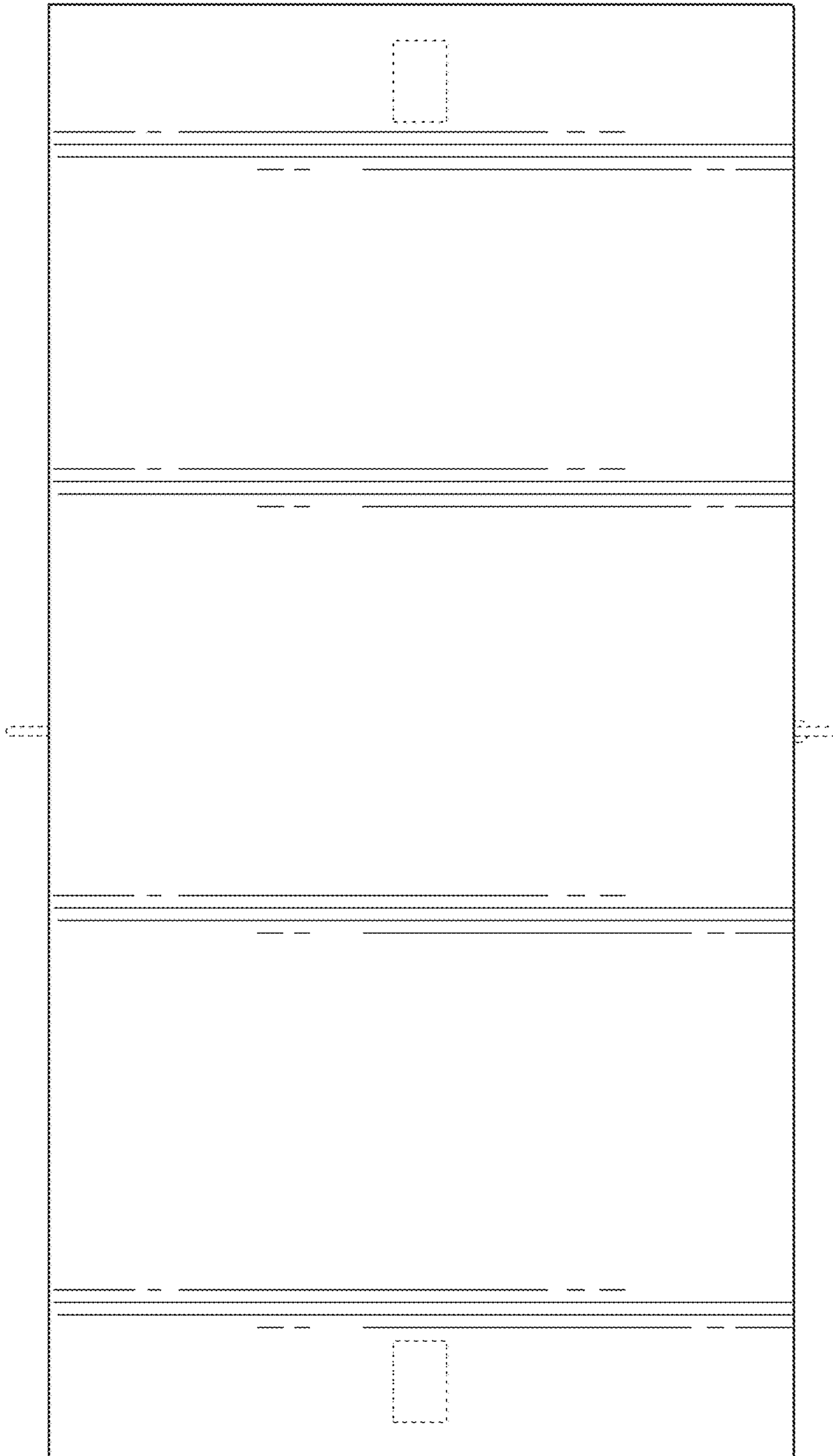


FIG. 7

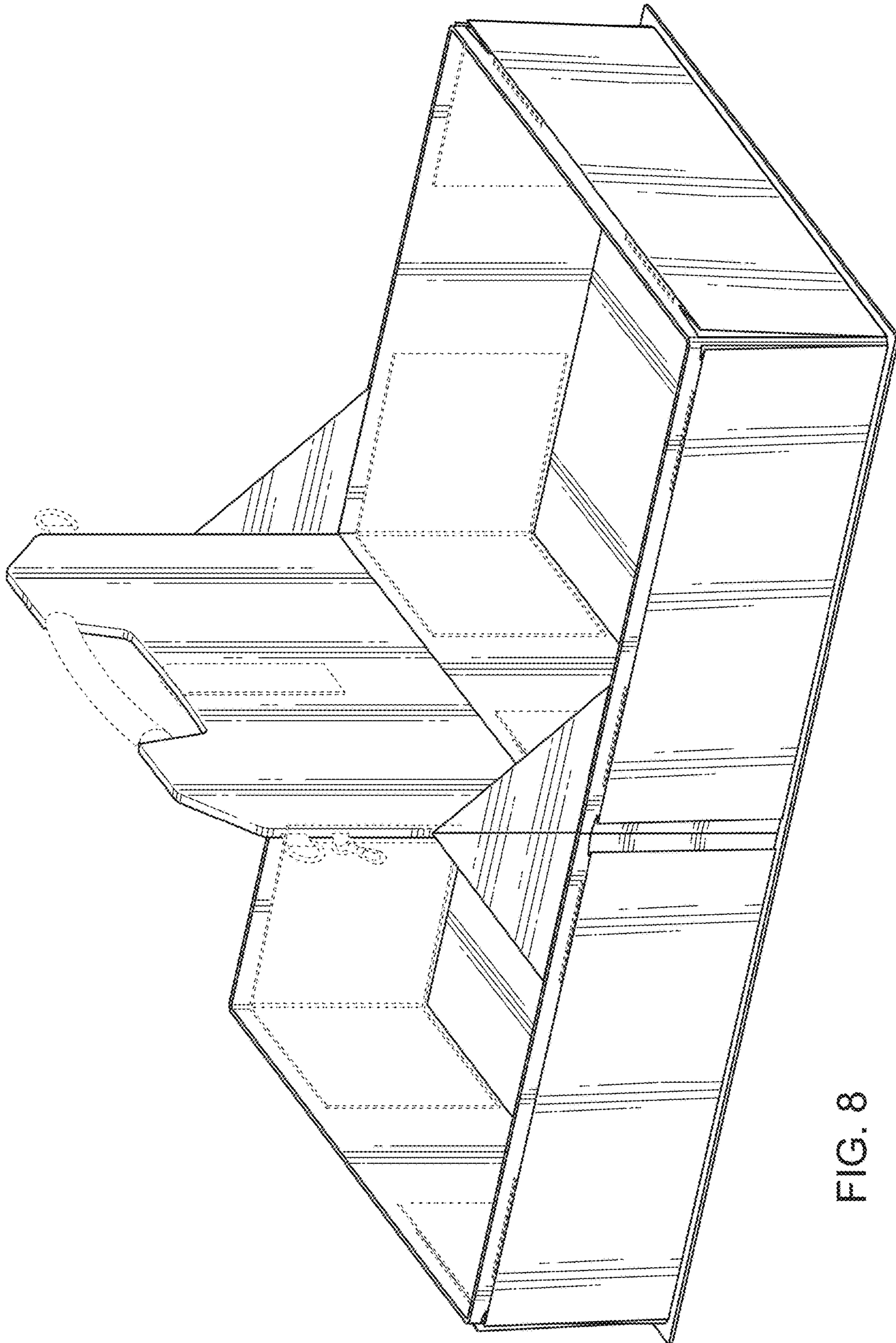


FIG. 8

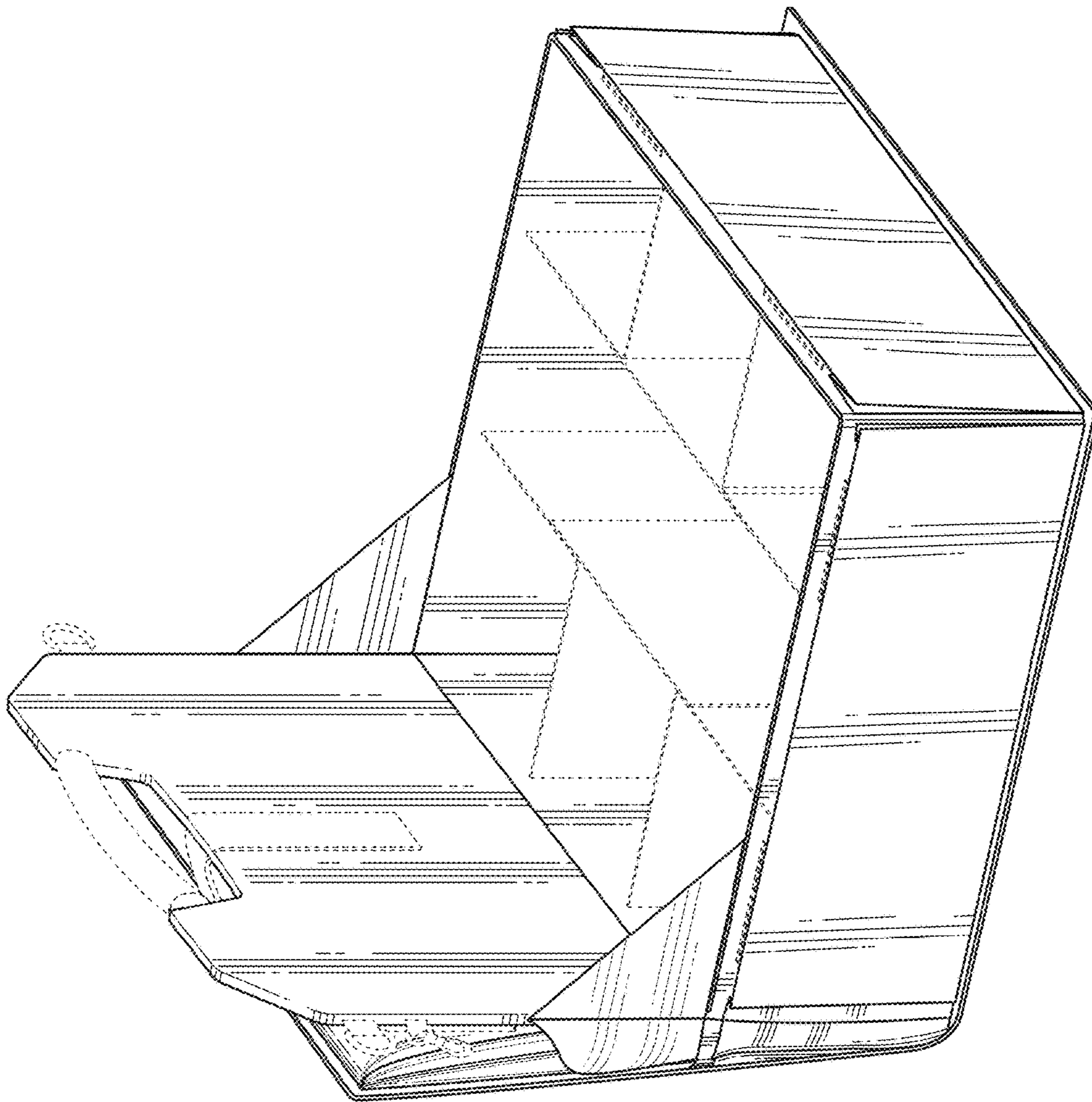


FIG. 9

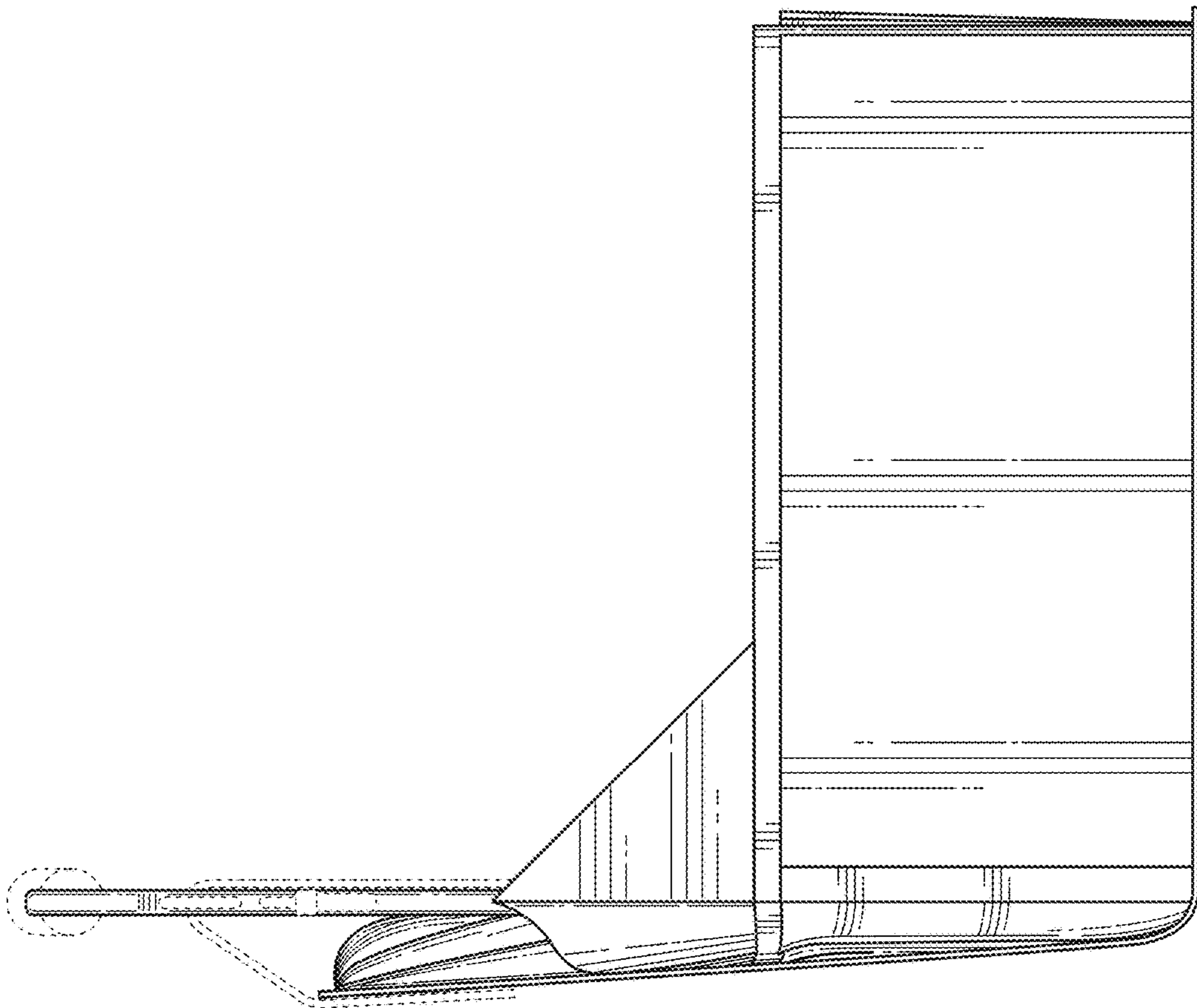


FIG. 10

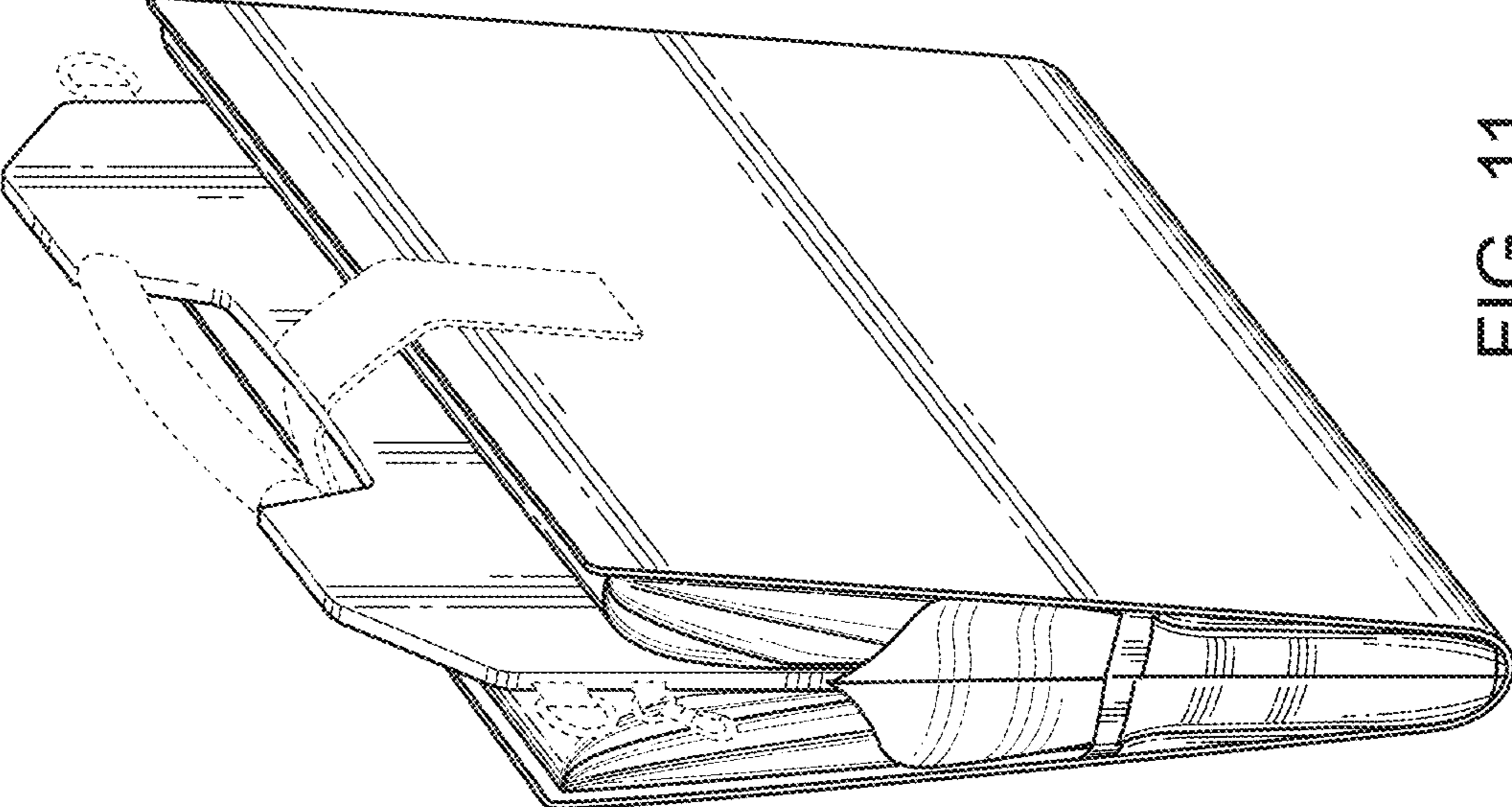


FIG. 11

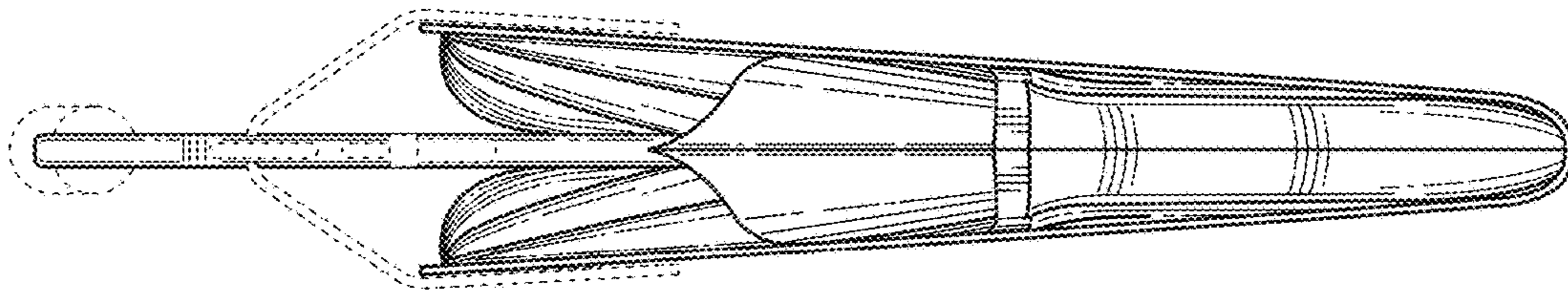


FIG. 12