



US00D790856S

(12) **United States Design Patent**  
**Levy et al.**

(10) **Patent No.:** **US D790,856 S**

(45) **Date of Patent:** **\*\* Jul. 4, 2017**

(54) **STORAGE BIN**

(71) Applicant: **NAVAJO MANUFACTURING COMPANY, INC.**, Denver, CO (US)

(72) Inventors: **Gordon Levy**, Golden, CO (US);  
**Shawn Shelton**, Denver, CO (US)

(73) Assignee: **Navajo Manufacturing Company, Inc.**, Denver, CO (US)

(\*\*) Term: **15 Years**

(21) Appl. No.: **29/561,108**

(22) Filed: **Apr. 13, 2016**

(51) **LOC (10) Cl.** ..... **03-01**

(52) **U.S. Cl.**  
USPC ..... **D3/304**

(58) **Field of Classification Search**  
USPC ..... D3/304, 307, 308, 312, 313, 314, 315;  
D6/672, 672.1, 678  
CPC ..... A45C 13/083; A47F 1/04; B65D 71/0003;  
B65D 2543/00222; B65D 2543/00296  
See application file for complete search history.

(56) **References Cited**

**U.S. PATENT DOCUMENTS**

- 3,113,680 A \* 12/1963 Frater ..... B65D 21/048  
206/507
- D327,561 S \* 6/1992 Hradisky ..... D3/307
- D467,732 S \* 12/2002 Taylor ..... D3/304
- D538,539 S \* 3/2007 Richardson ..... D3/314
- D581,159 S \* 11/2008 Neilsen ..... D3/304
- D581,670 S \* 12/2008 Neilsen ..... D3/304
- D582,190 S \* 12/2008 Valiulis ..... D6/567

- D606,314 S \* 12/2009 Neilsen ..... D3/313
- D630,852 S \* 1/2011 Kobilarcik ..... D3/307
- D639,562 S \* 6/2011 Cadwell ..... D3/307
- D651,801 S \* 1/2012 Brown ..... D3/304
- D699,034 S \* 2/2014 Engert ..... D3/304
- D731,185 S \* 6/2015 Hsu ..... D3/304
- D762,065 S \* 7/2016 Hsu ..... D3/304
- D766,574 S \* 9/2016 Hsu ..... D3/304
- D775,057 S \* 12/2016 Meckler ..... D12/407

\* cited by examiner

*Primary Examiner* — Kelley Donnelly

(74) *Attorney, Agent, or Firm* — Studebaker & Brackett PC

(57) **CLAIM**

The ornamental design for a storage bin, as shown and described.

**DESCRIPTION**

FIG. 1 is a perspective view showing our new design for a storage bin,  
 FIG. 2 is a top view thereof,  
 FIG. 3 is a bottom view thereof,  
 FIG. 4 is a front view thereof,  
 FIG. 5 is a rear view thereof,  
 FIG. 6 is a right side view thereof,  
 FIG. 7 is a left side view thereof,  
 FIG. 8 is a perspective view with a separation plate installed,  
 FIG. 9 is a top view thereof,  
 FIG. 10 is a front view thereof,  
 FIG. 11 is a perspective view with the separation plate installed in an alternate position,  
 FIG. 12 is a top view thereof; and,  
 FIG. 13 is a front view thereof.

**1 Claim, 5 Drawing Sheets**

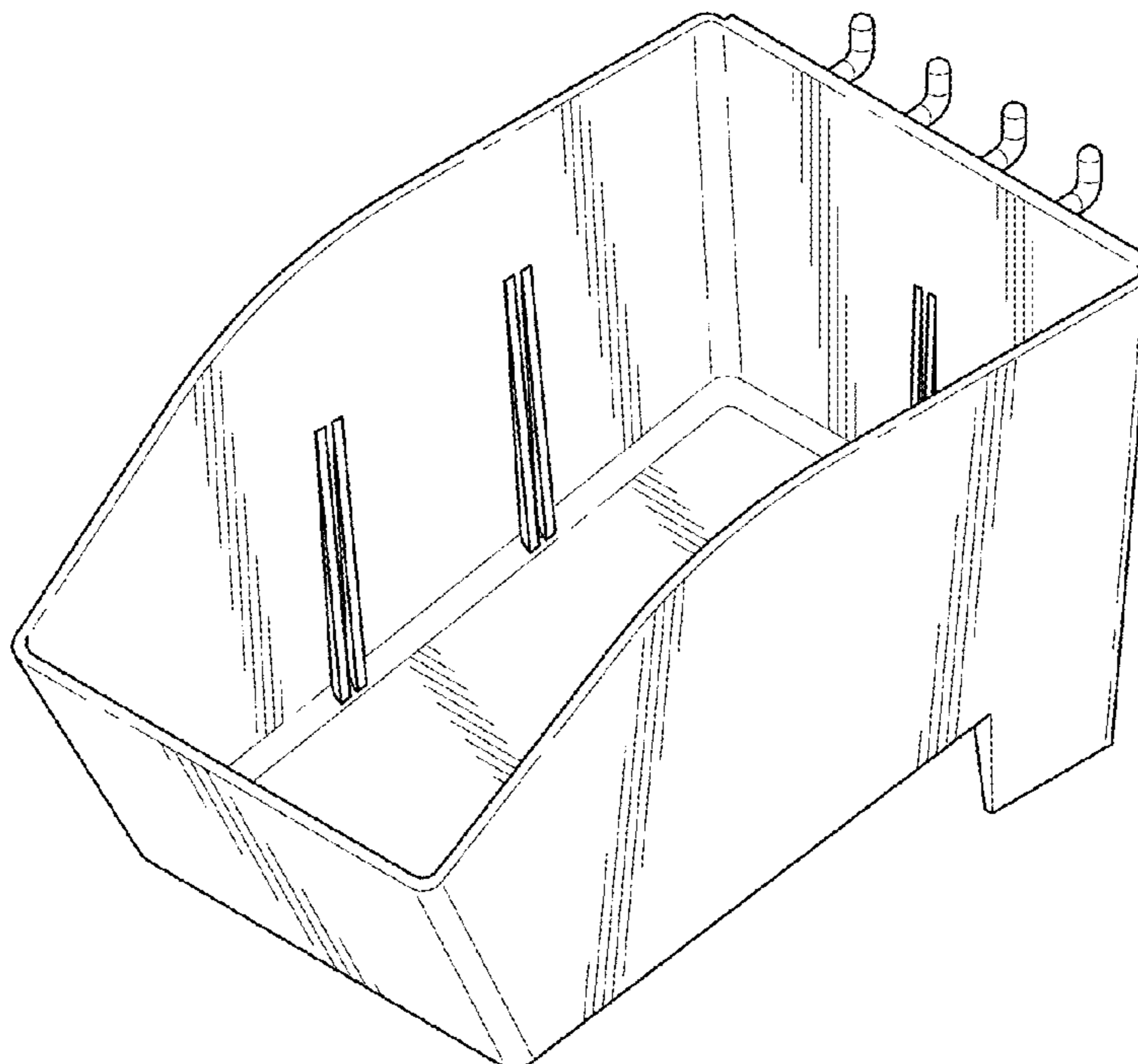


FIG. 1

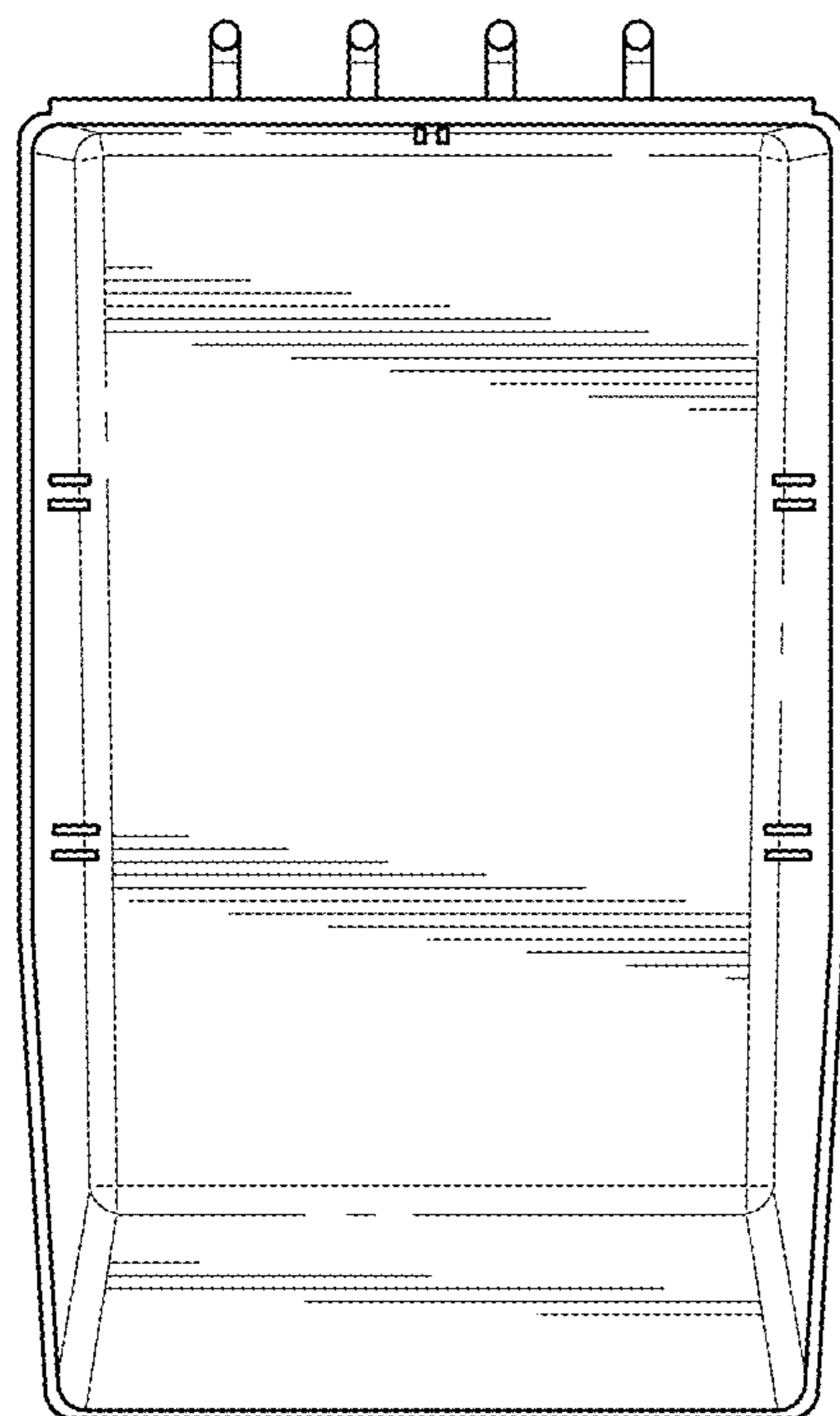
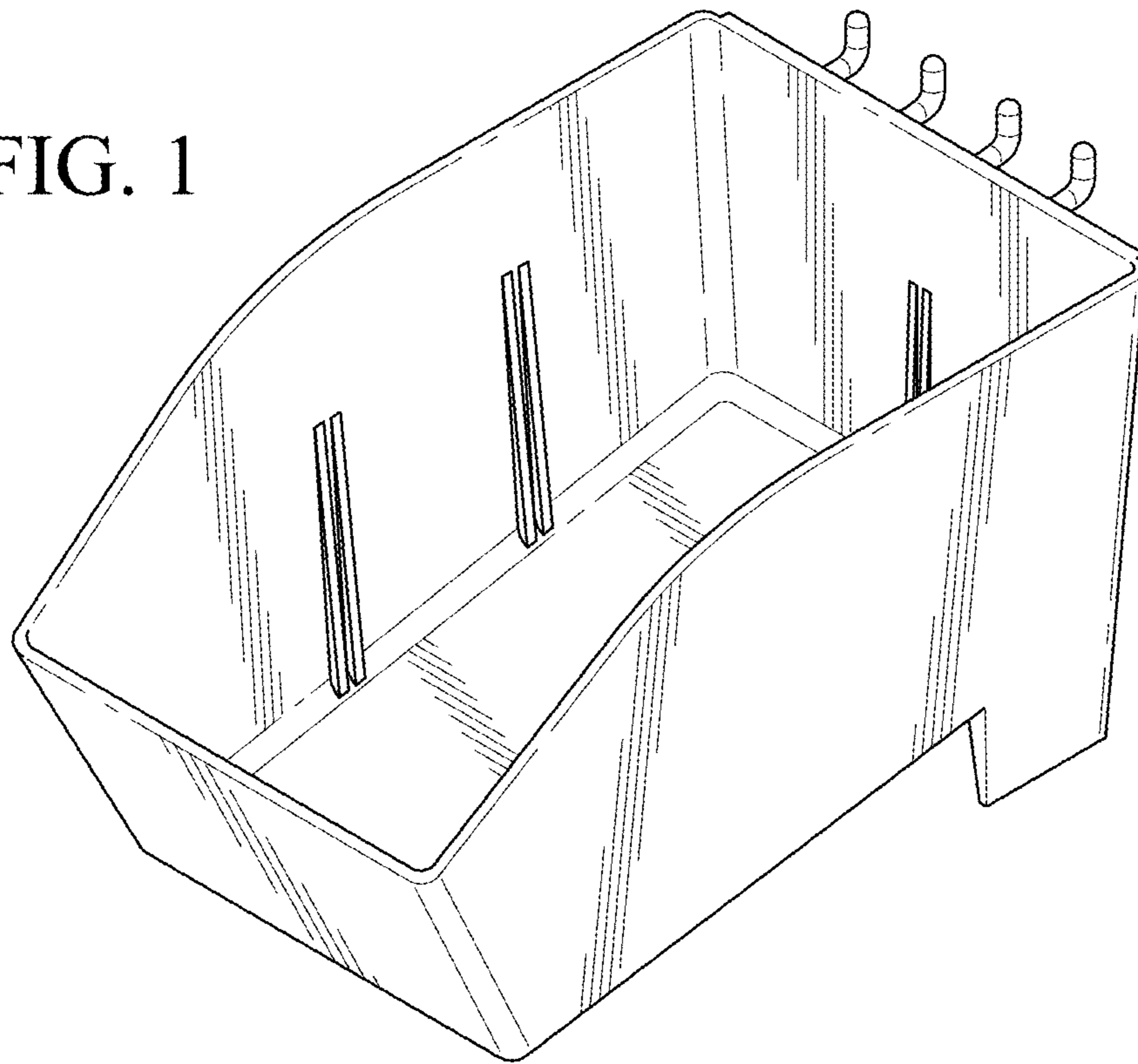


FIG. 2

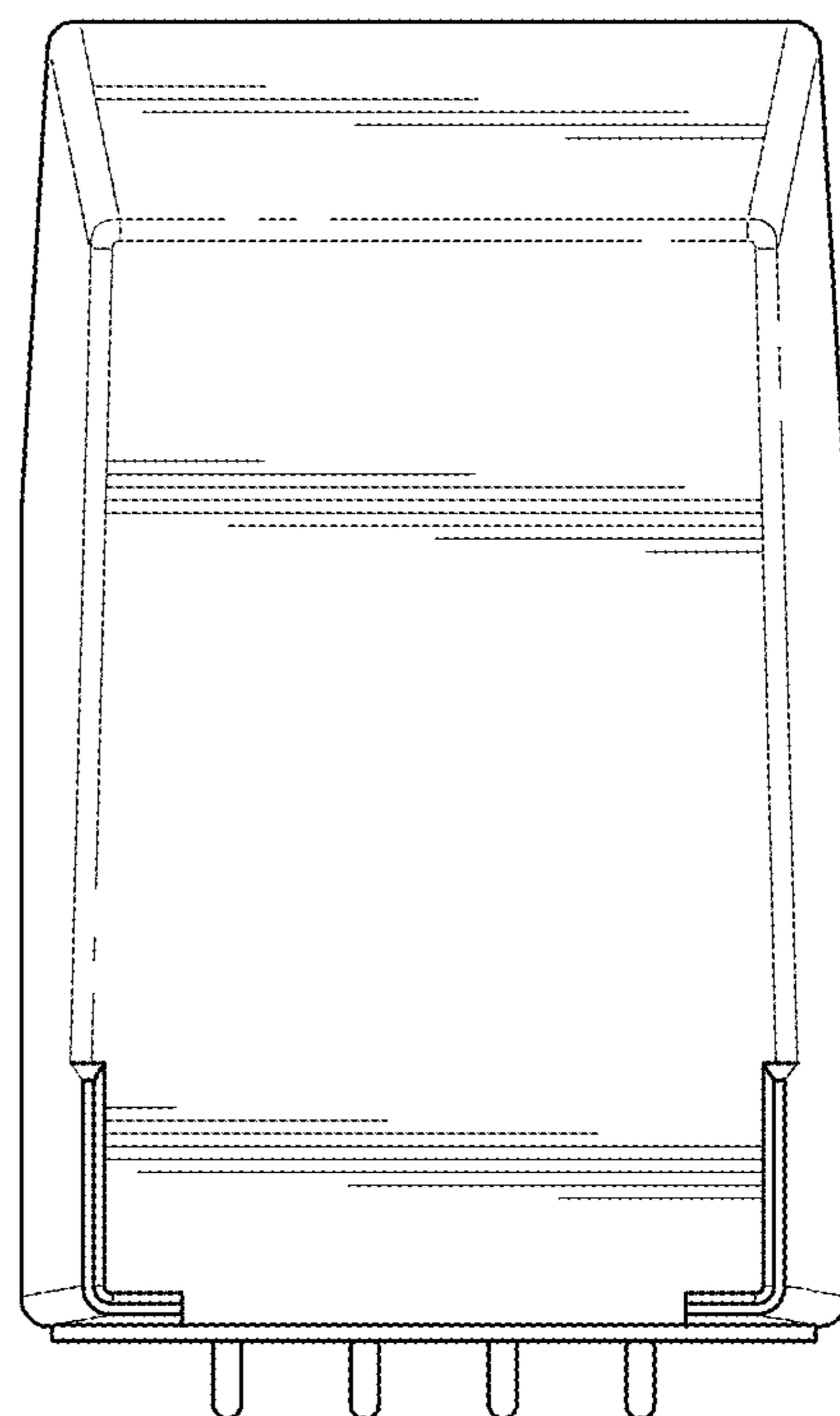


FIG. 3

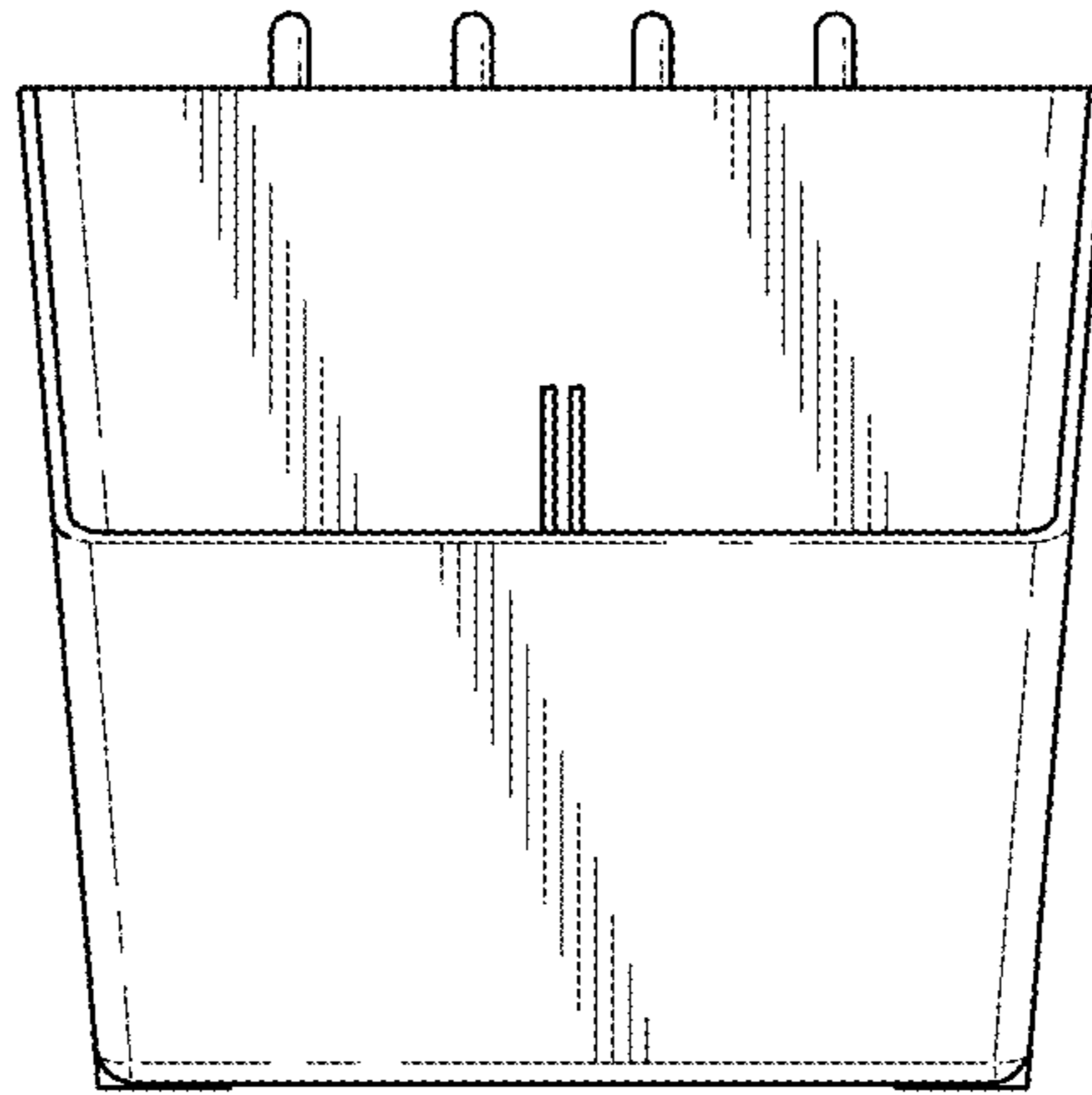


FIG. 4

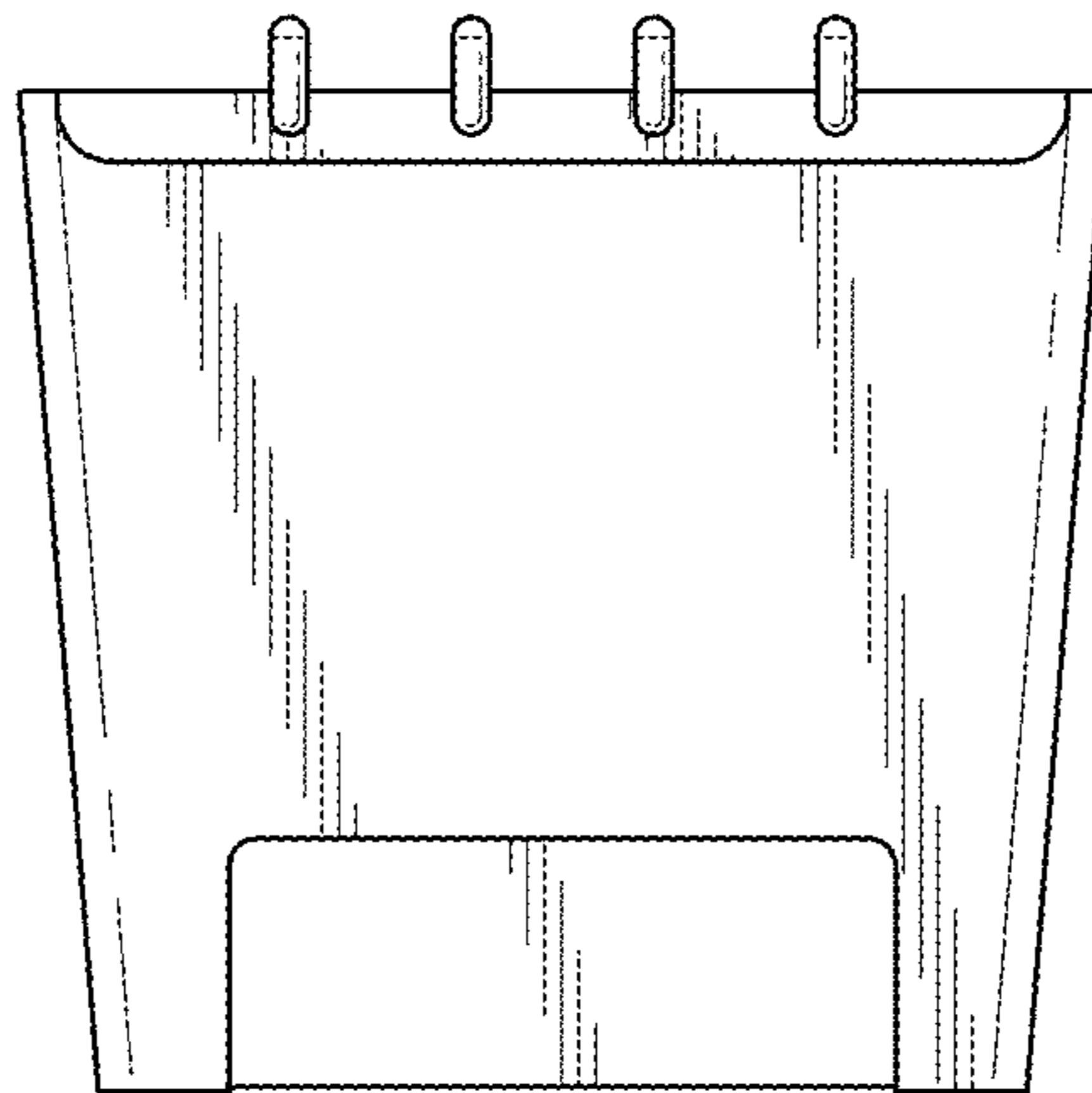


FIG. 5

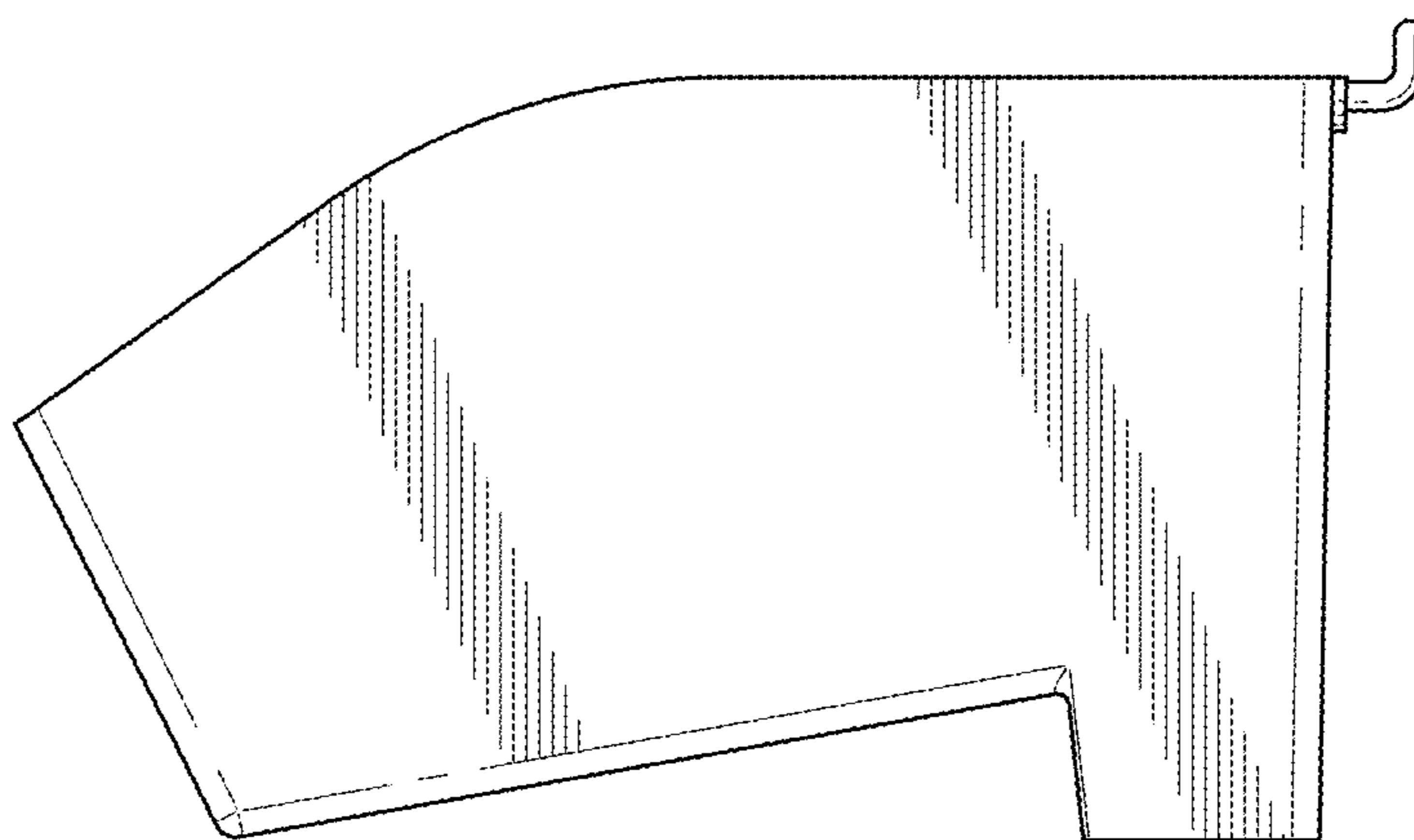


FIG. 6

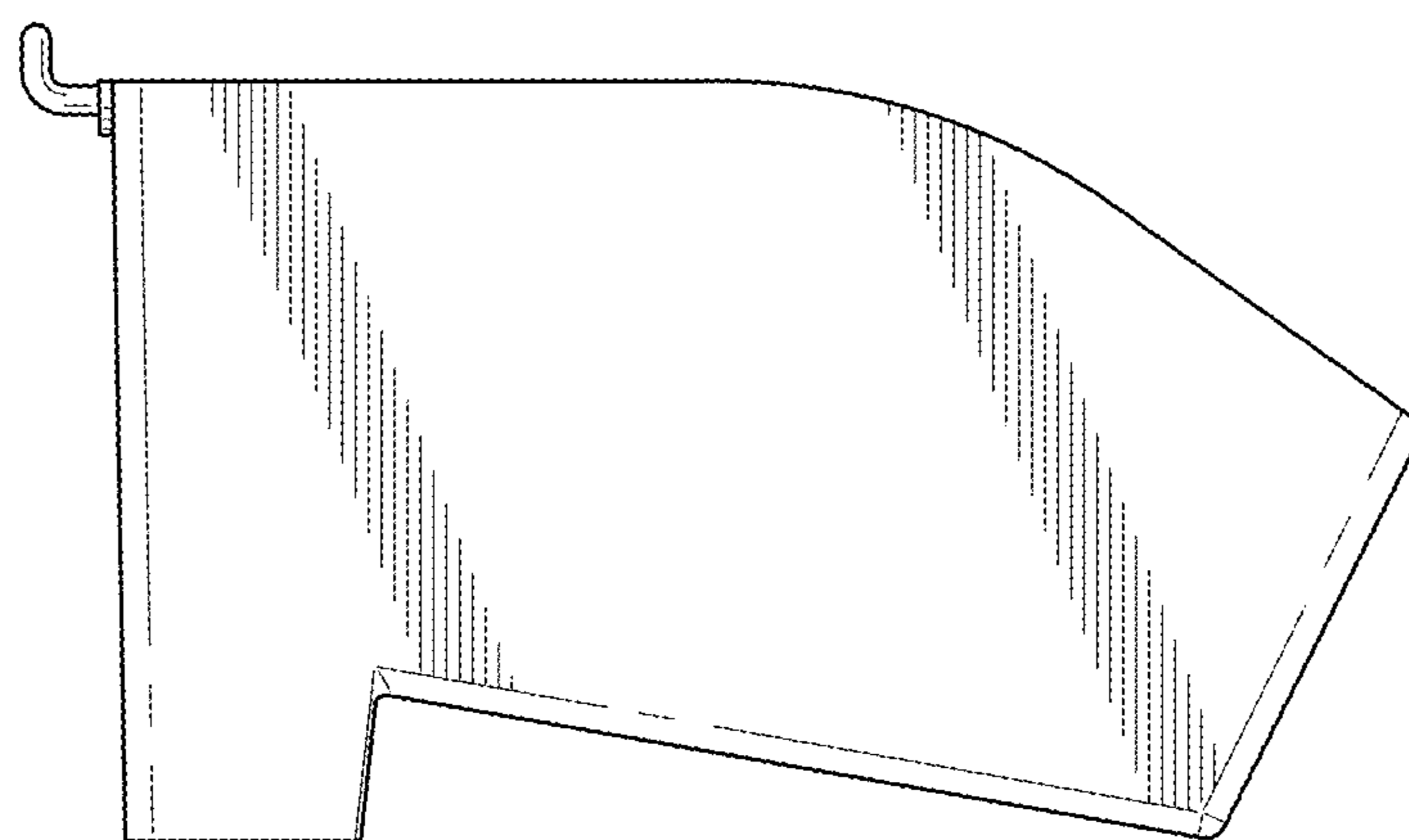


FIG. 7

FIG. 8

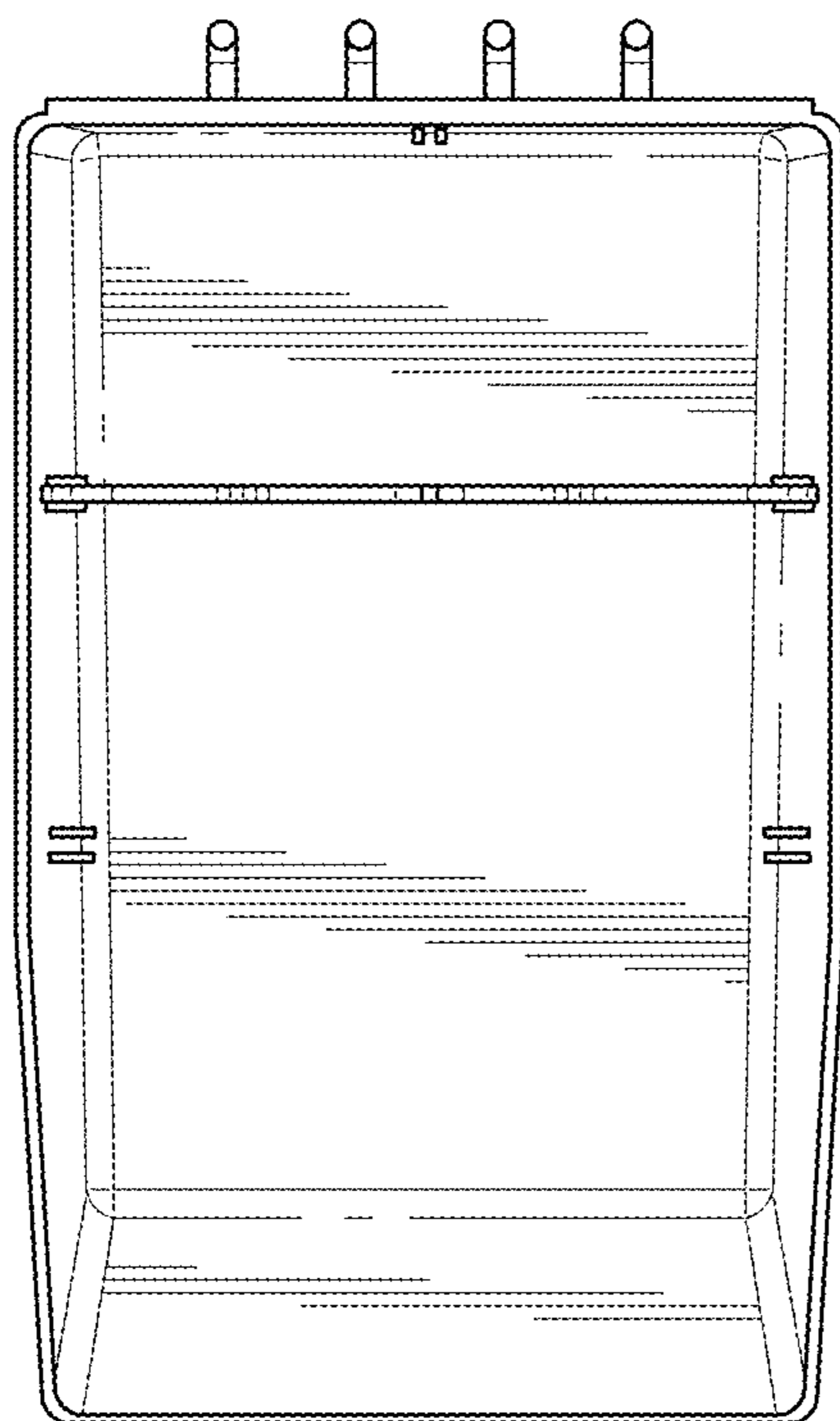
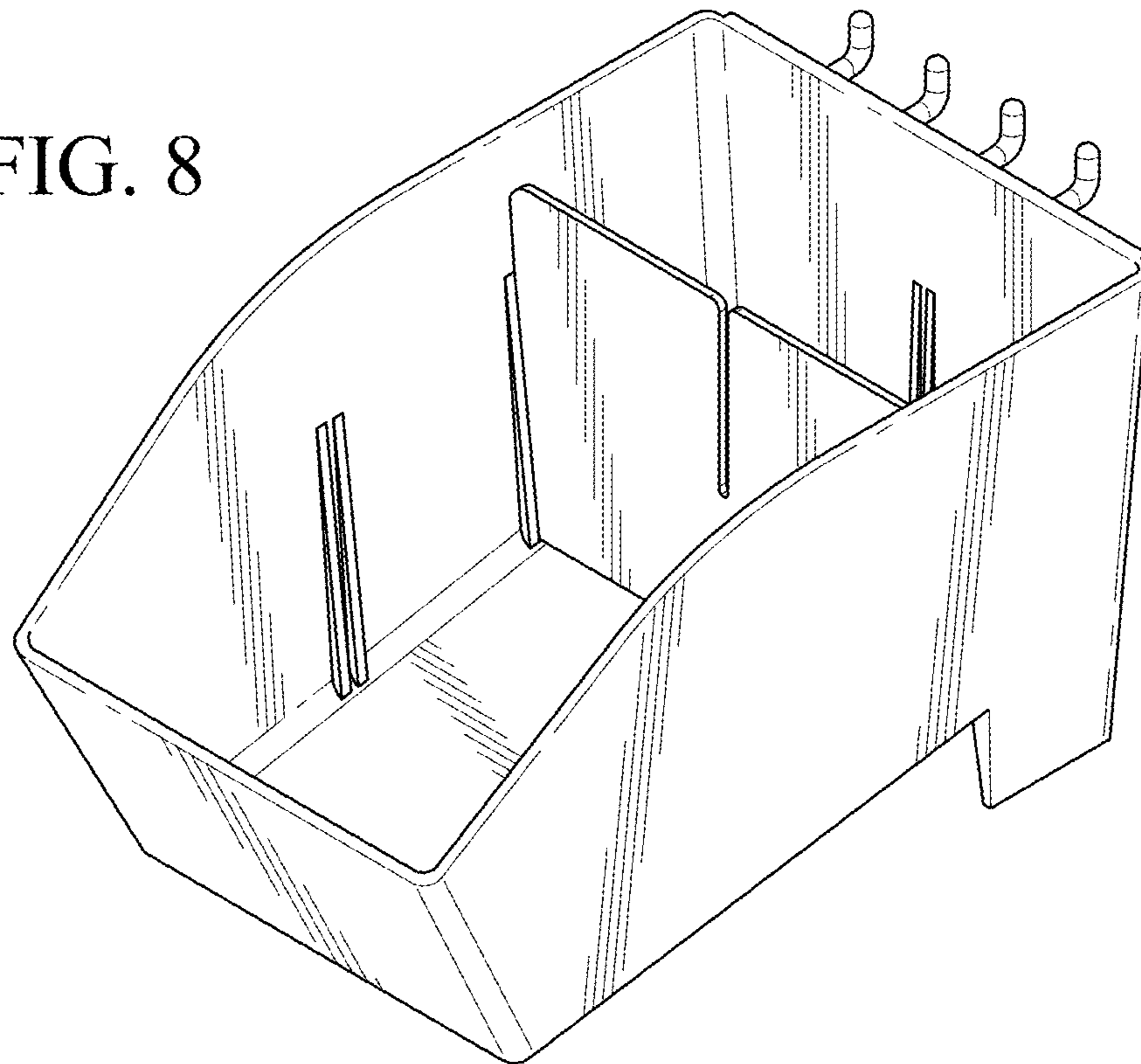


FIG. 9

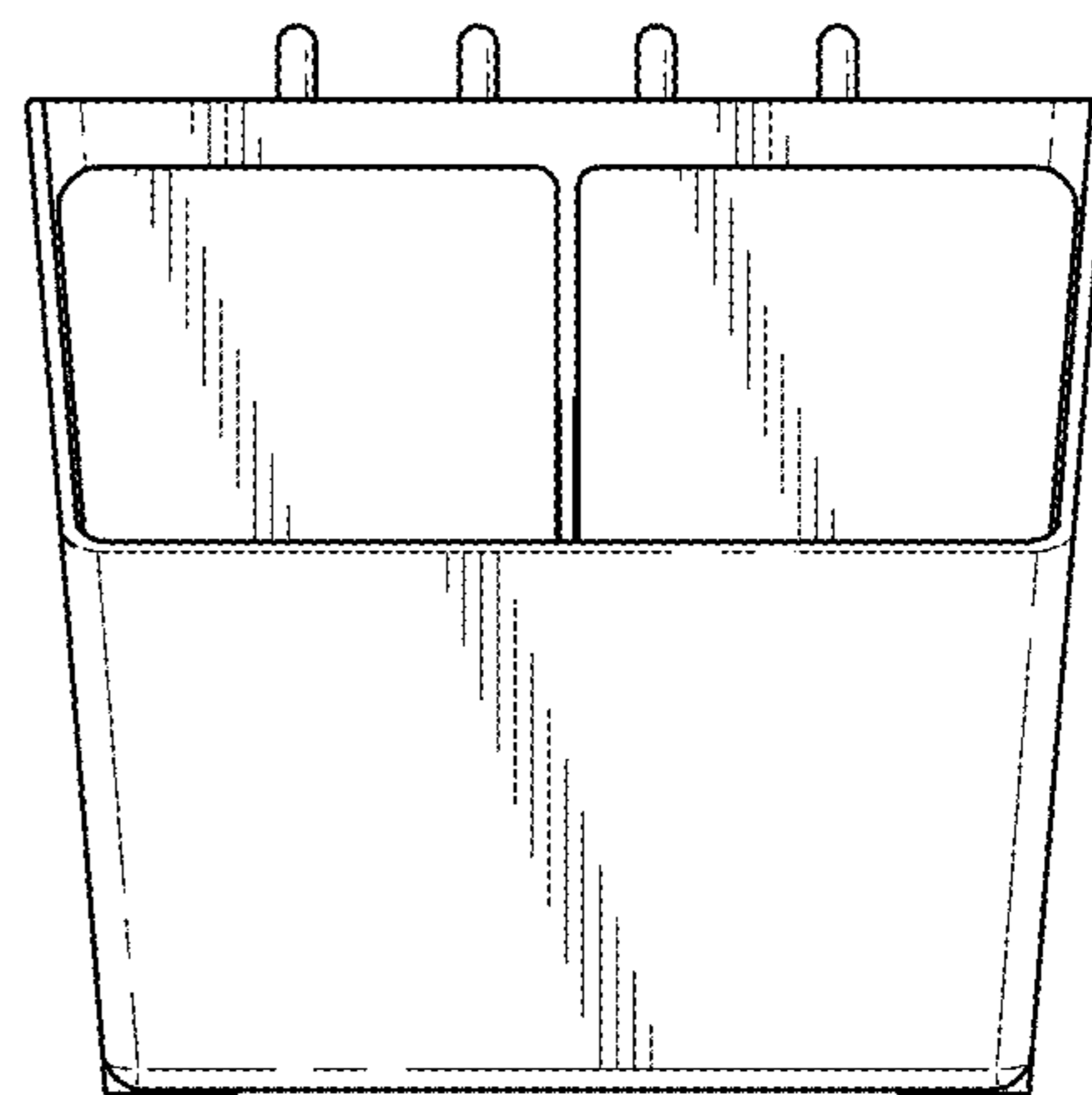


FIG. 10

FIG. 11

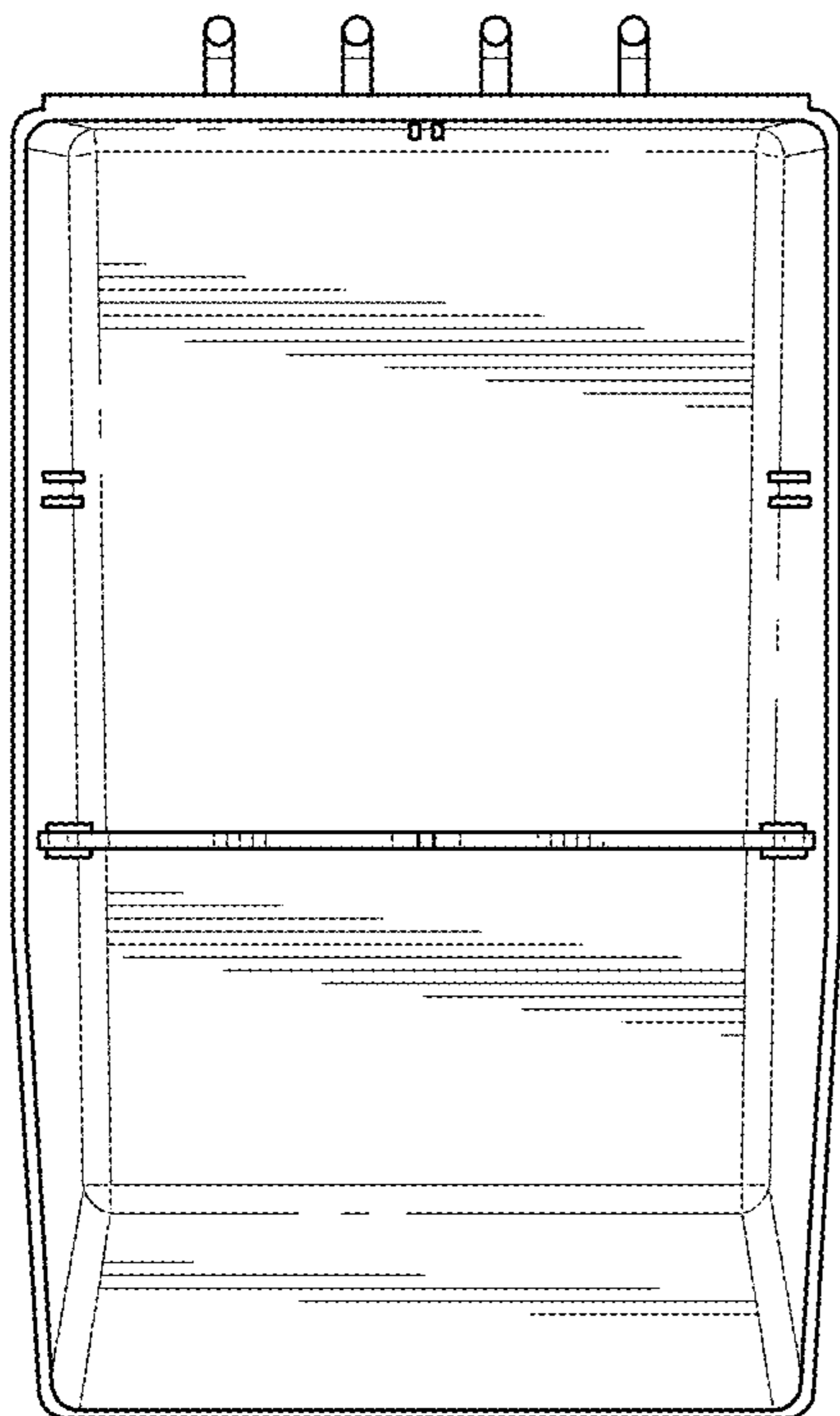
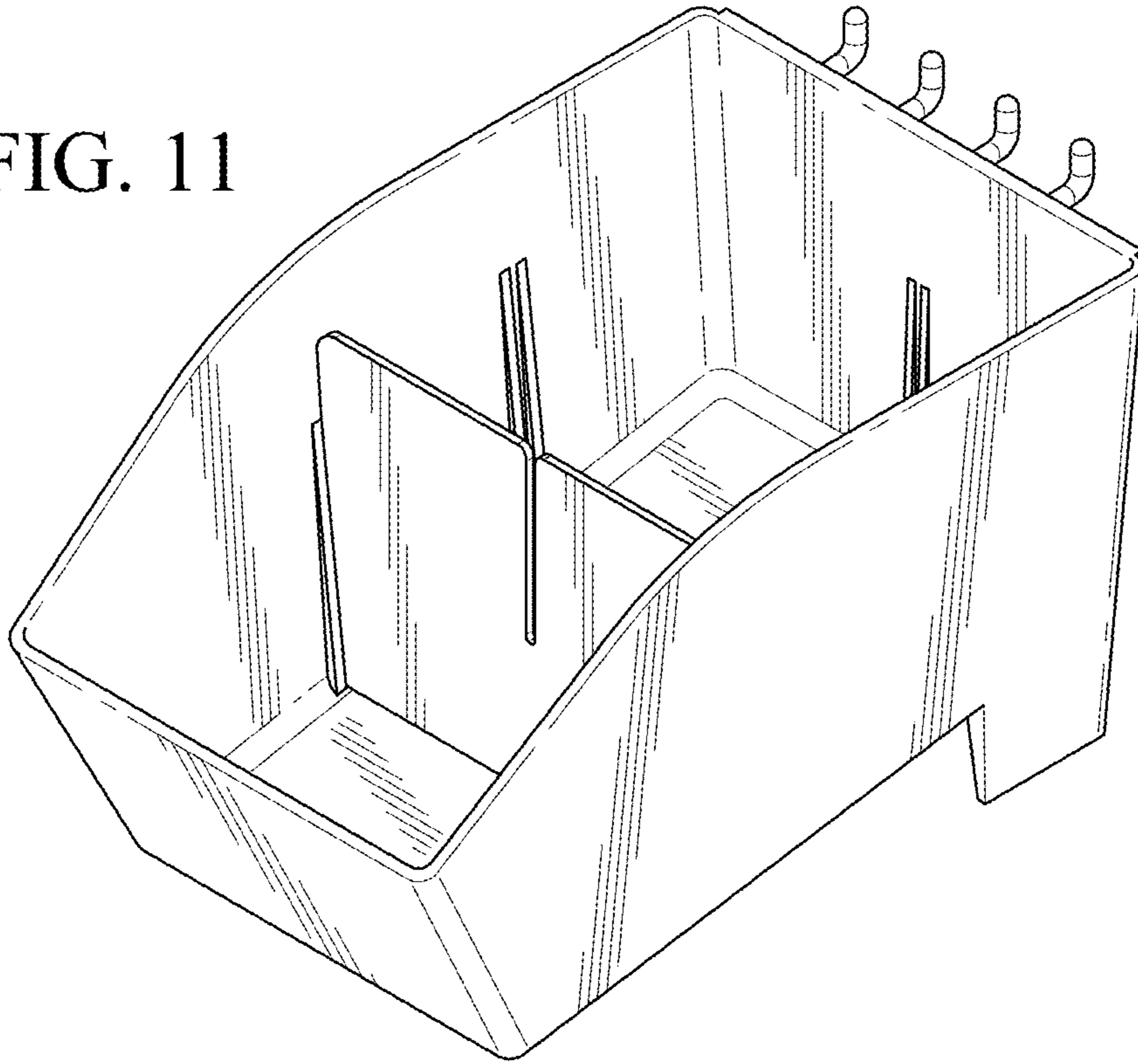


FIG. 12

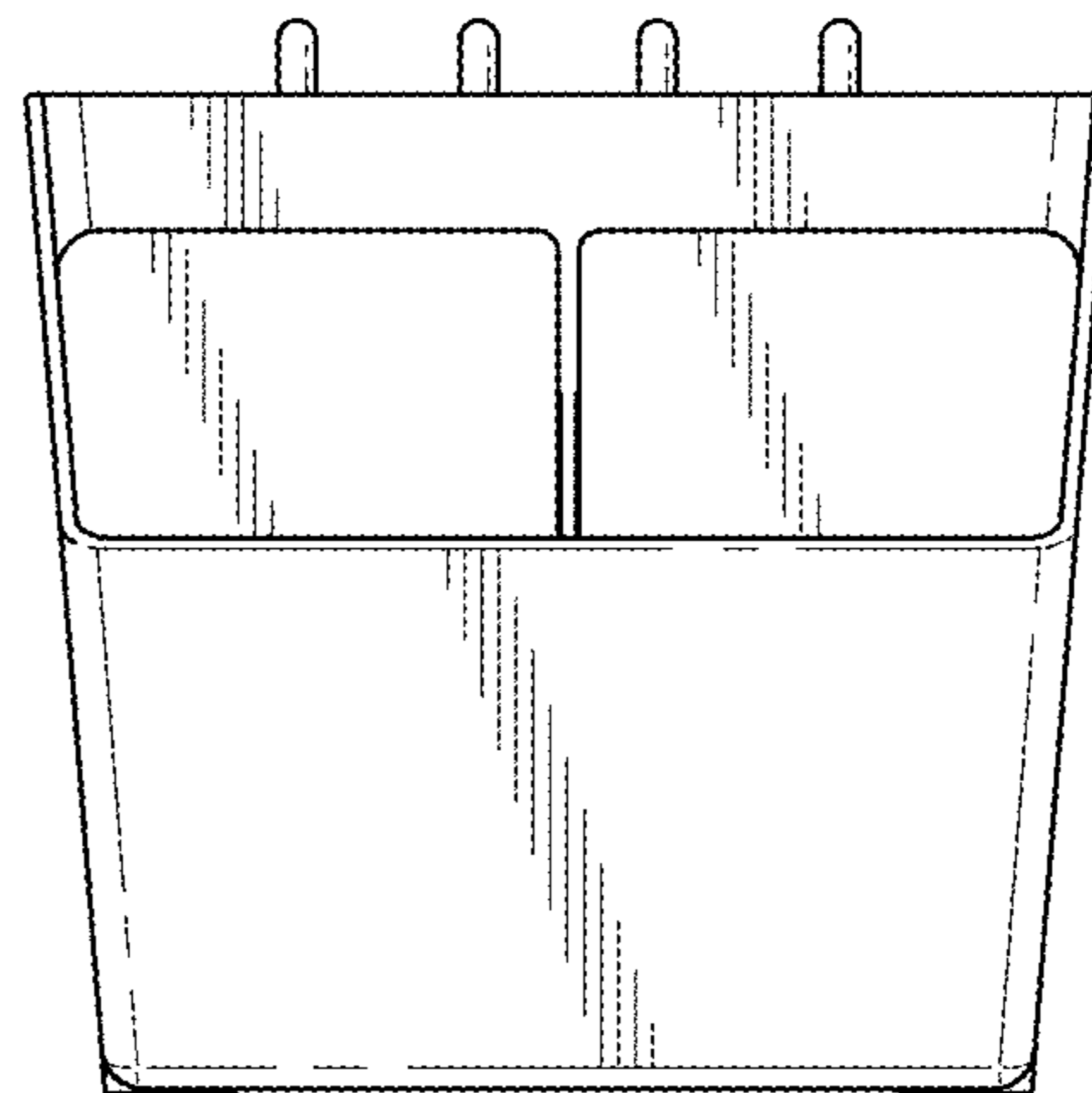


FIG. 13