



US00D790846S

(12) **United States Design Patent**
Clores

(10) **Patent No.:** **US D790,846 S**

(45) **Date of Patent:** **** Jul. 4, 2017**

(54) **CARRIER FOR A BABY BOTTLES**

(71) Applicant: **Edgardo Clores**, Las Vegas, NV (US)

(72) Inventor: **Edgardo Clores**, Las Vegas, NV (US)

(73) Assignee: **MACE CORPORATION**, Las Vegas, NV (US)

(**) Term: **15 Years**

(21) Appl. No.: **29/560,217**

(22) Filed: **Apr. 4, 2016**

(51) **LOC (10) Cl.** **03-01**

(52) **U.S. Cl.**
USPC **D3/202; D7/701**

(58) **Field of Classification Search**
USPC D3/201, 202, 315; D7/590, 600, 701,
D7/619.1, 622, 630, 703, 706
CPC A45C 11/20; A45C 2200/20; B65D 1/243;
B65D 1/38; B65D 71/0003; B65D
2501/24101; B65D 2571/00388
See application file for complete search history.

(56) **References Cited**

U.S. PATENT DOCUMENTS

D159,221	S	*	7/1950	Nonas et al.	D3/284
2,686,003	A	*	8/1954	Forrer	B65D 71/0077 206/162
2,844,141	A	*	7/1958	Daugherty	A47J 47/14 126/263.05
3,025,998	A	*	3/1962	Petersen	A45C 11/20 206/169
D198,869	S	*	8/1964	Beesley et al.	D7/703
3,198,378	A	*	8/1965	Farquhar	B65D 71/0066 206/194
3,283,949	A	*	11/1966	Wysocki	B65D 71/0022 206/187

(Continued)

Primary Examiner — John Windmuller

Assistant Examiner — Steven Czyz

(74) *Attorney, Agent, or Firm* — Weiss & Moy, P.C.;
Jeffrey D. Moy

(57) **CLAIM**

The ornamental design for a carrier for baby bottles, as shown and described.

DESCRIPTION

FIG. 1 is a perspective view of a carrier for baby bottles, shown in the closed position;

FIG. 2 is front view of the carrier for baby bottles shown in FIG. 1;

FIG. 3 is a side view of the carrier for baby bottles shown in FIG. 1, the opposing side being a mirror image thereof; FIG. 4 is a top view of the carrier for baby bottles shown in FIG. 1;

FIG. 5 is a bottom view of the carrier for baby bottles shown in FIG. 1;

FIG. 6 is another perspective view of the carrier for baby bottles shown in FIG. 1;

FIG. 7 is a cross-sectional side view taken along lines 7-7 of FIG. 3 of the carrier for baby bottles;

FIG. 8 is a perspective view of the carrier for baby bottles, shown in the open position;

FIG. 9 is front view of the carrier for baby bottles shown in FIG. 8;

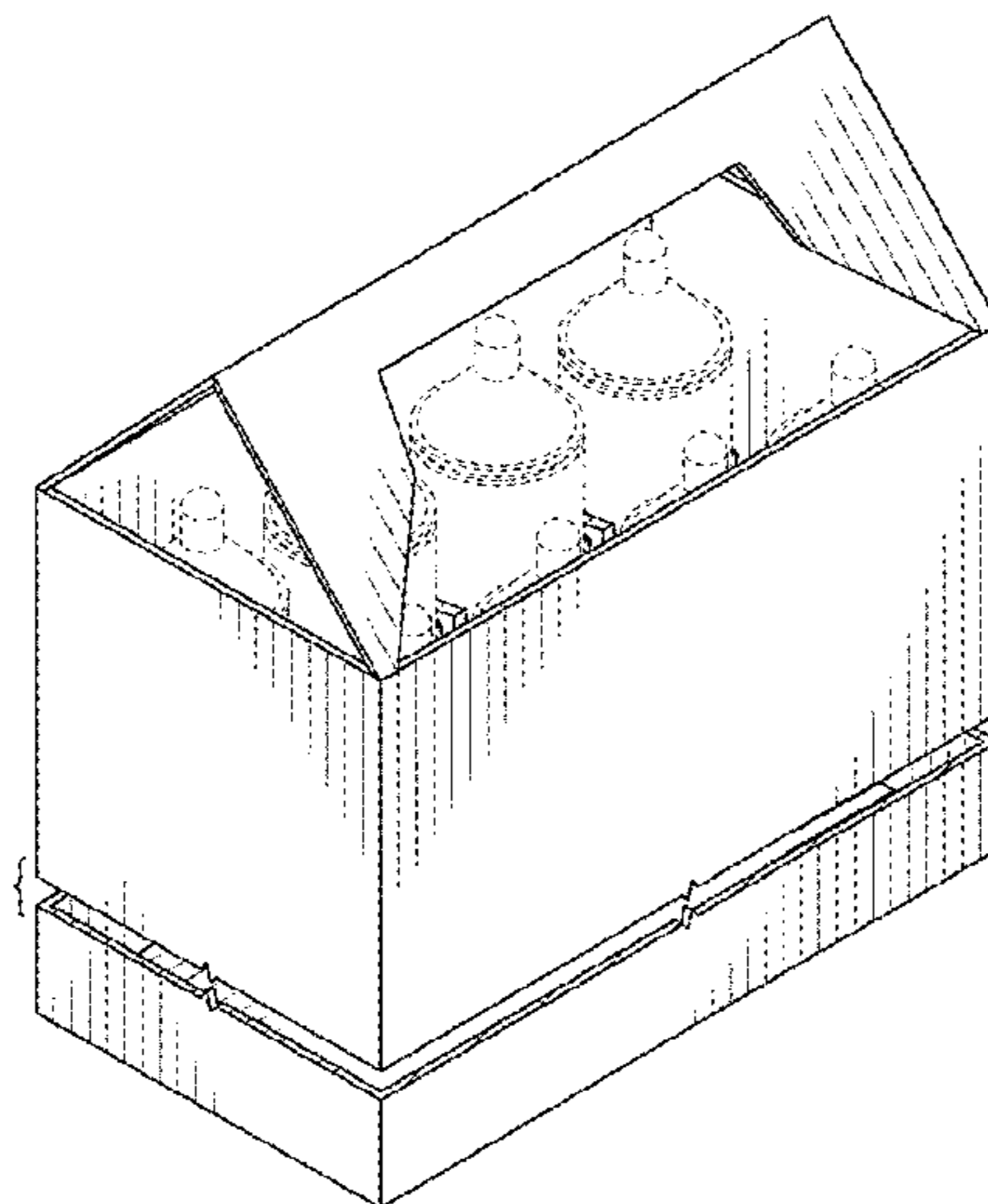
FIG. 10 is a side view of the carrier for baby bottles shown in FIG. 8, the opposing side being a mirror image thereof; FIG. 11 is a top view of the carrier for baby bottles shown in FIG. 8; and,

FIG. 12 is a bottom view of the carrier for baby bottles shown in FIG. 8.

The broken lines depict portions of the article that form no part of the claimed design.

A portion of the carrier for baby bottles is shown broken away to indicate that it has no particular length beyond what is shown.

1 Claim, 10 Drawing Sheets



(56)

References Cited

U.S. PATENT DOCUMENTS

4,037,766 A * 7/1977 Iacono B65D 71/50
206/160
D326,175 S * 5/1992 Homan D24/197
D330,513 S * 10/1992 Gilchrist D3/284
D331,629 S * 12/1992 Stewart D24/199
D367,408 S * 2/1996 Fordyce D19/77
5,558,214 A * 9/1996 Brundidge A45C 13/02
206/162
D396,749 S * 8/1998 Ortiz D3/284
D411,349 S * 6/1999 Johnstone D24/199
6,065,590 A * 5/2000 Spivey B65D 71/36
206/141
6,230,881 B1 * 5/2001 Collura B65D 71/0077
206/175
D516,439 S * 3/2006 Cargile, Jr. D9/753
D600,447 S * 9/2009 Sullivan D3/309
D620,353 S * 7/2010 Block D9/433
D720,575 S * 1/2015 Goodman D7/600
D729,073 S * 5/2015 Wasilewski D9/753
9,090,038 B1 * 7/2015 Bachman, Jr. B31B 19/90

* cited by examiner

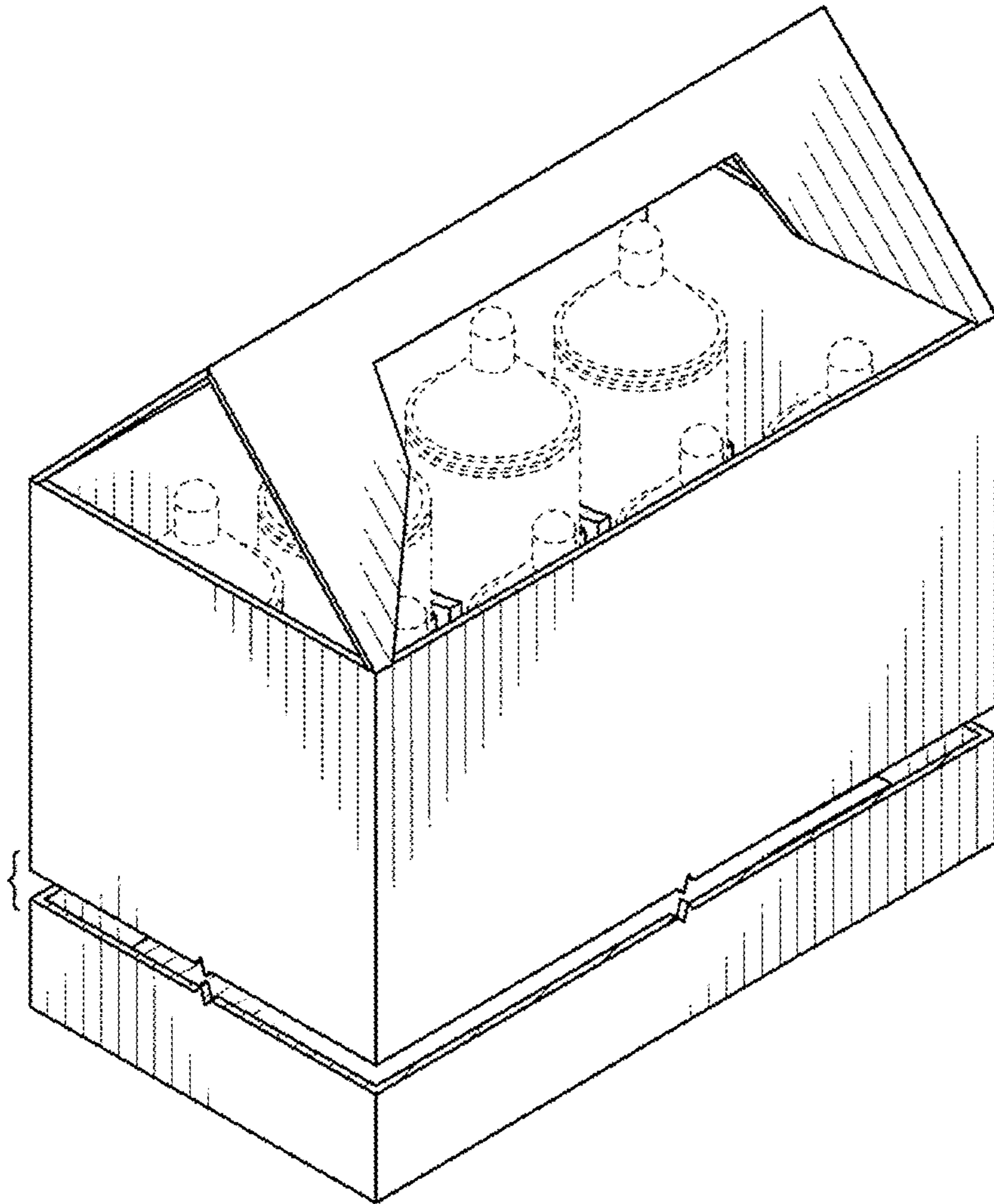


FIG. 1

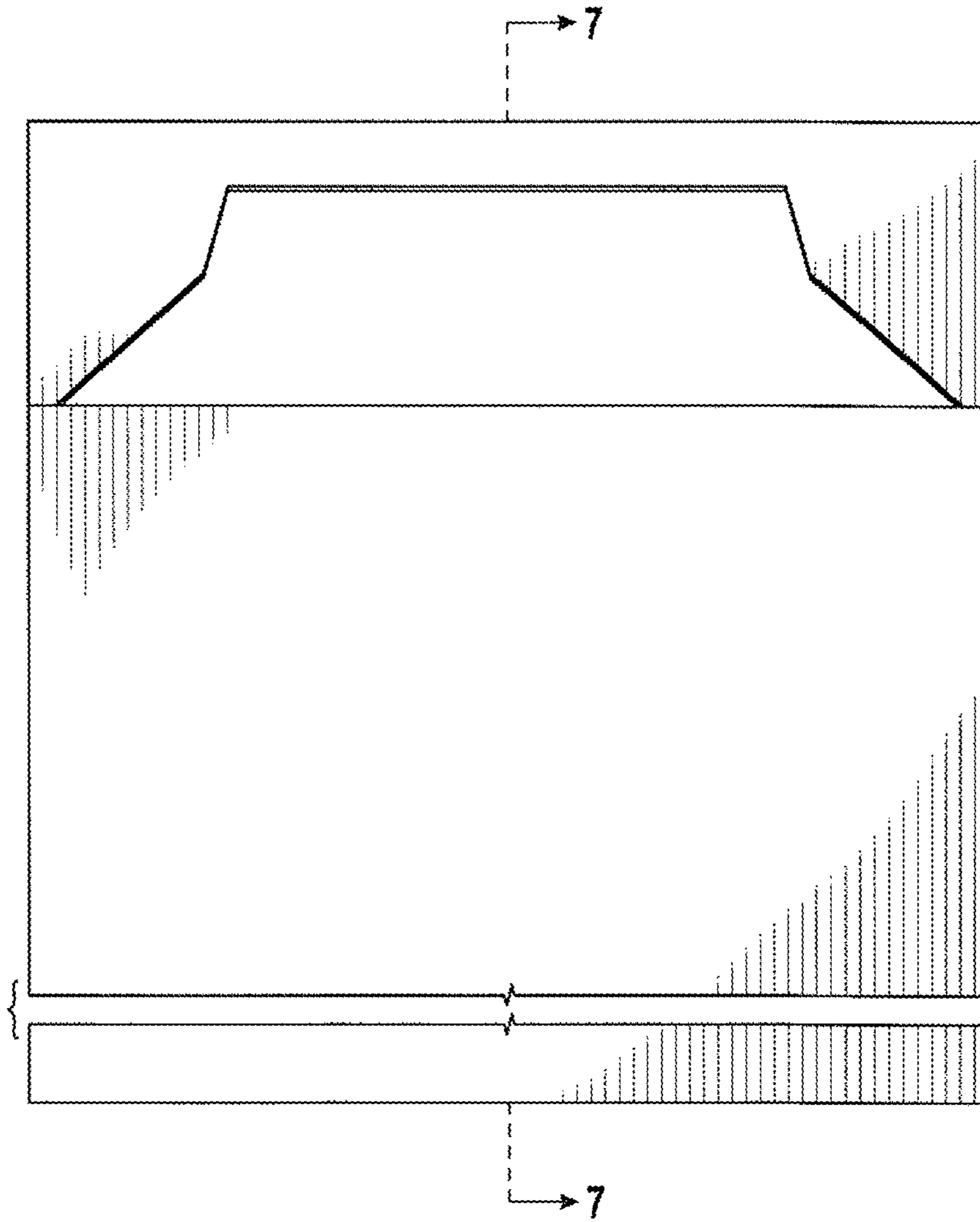


FIG. 2

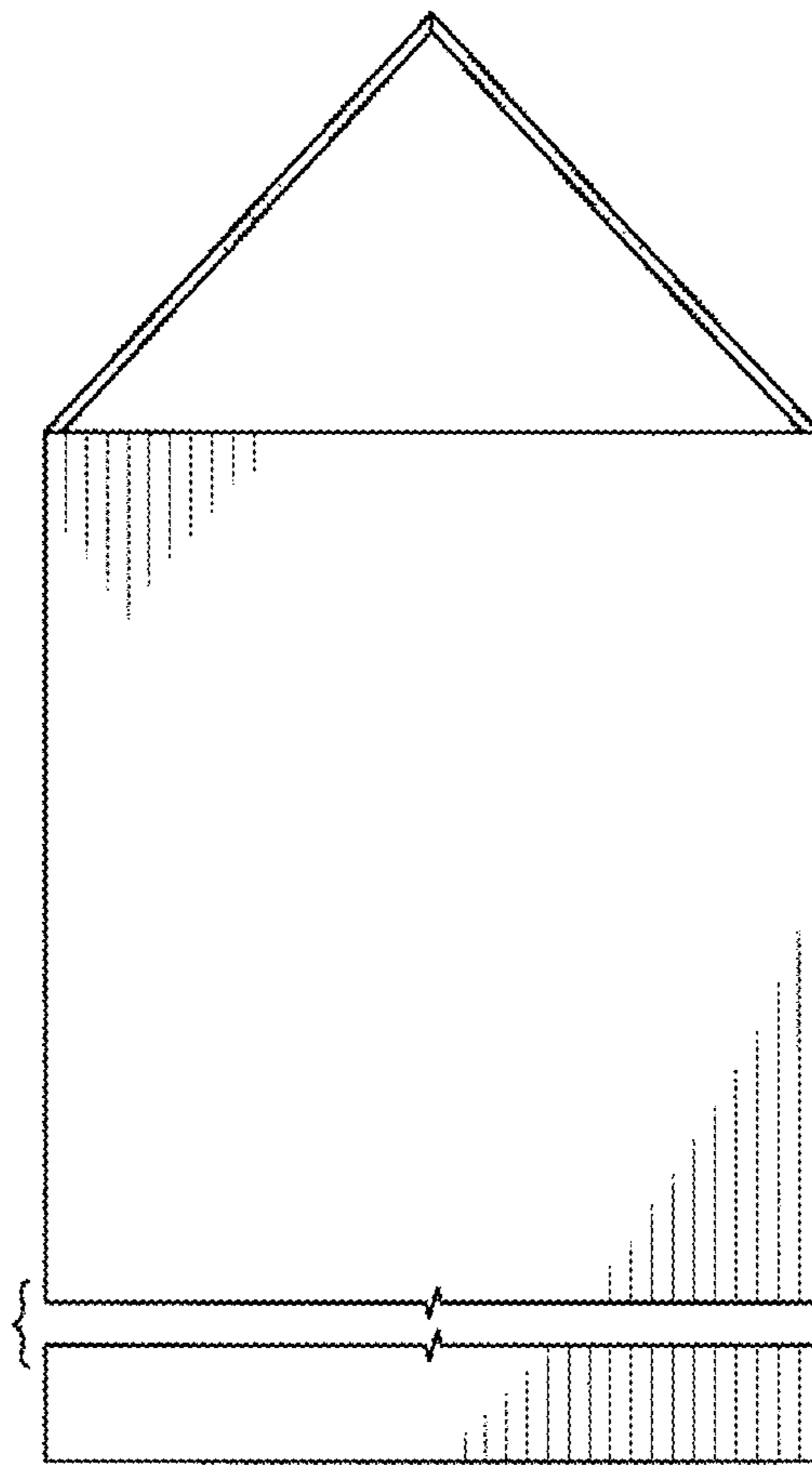


FIG. 3

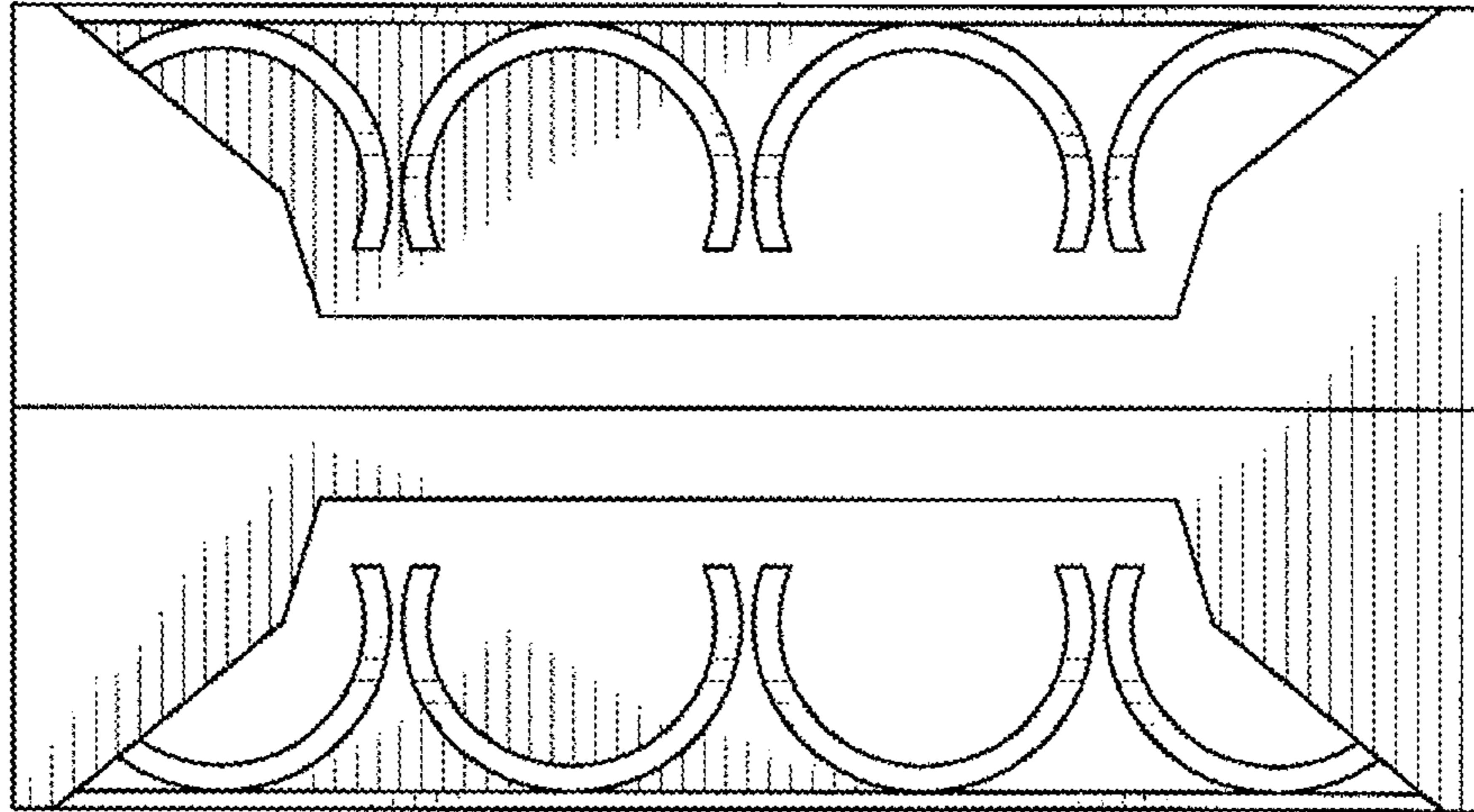


FIG. 4

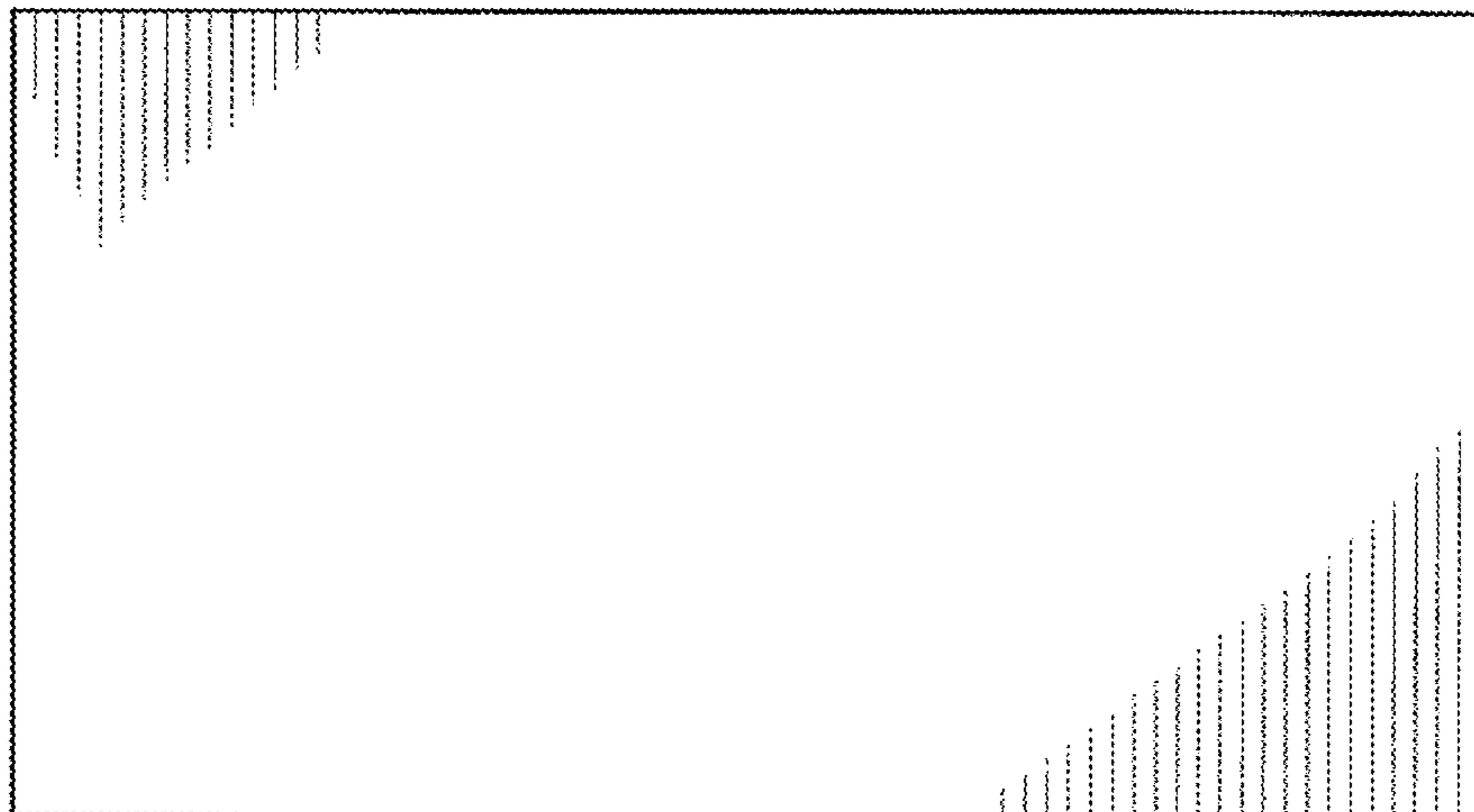


FIG. 5

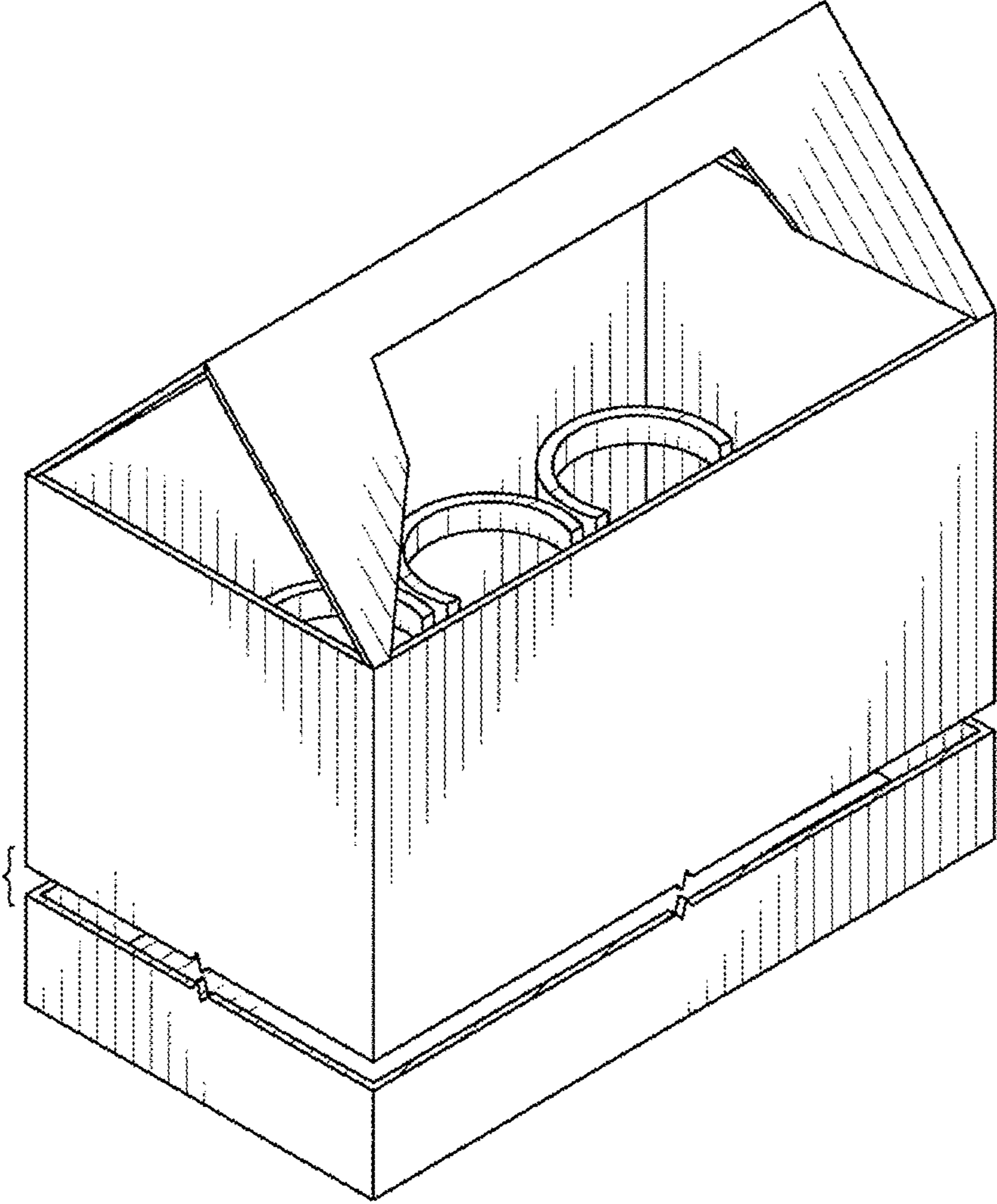


FIG. 6

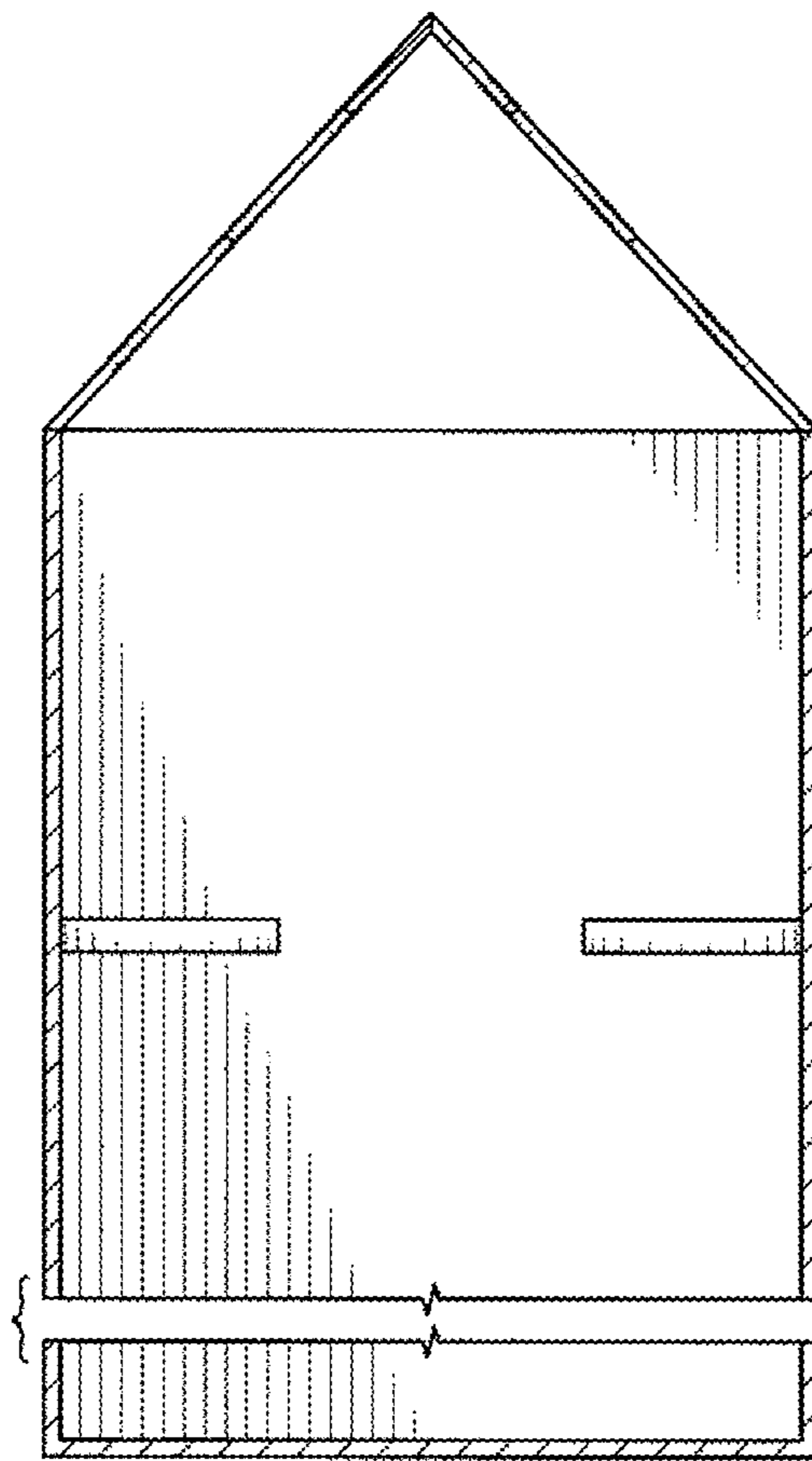


FIG. 7

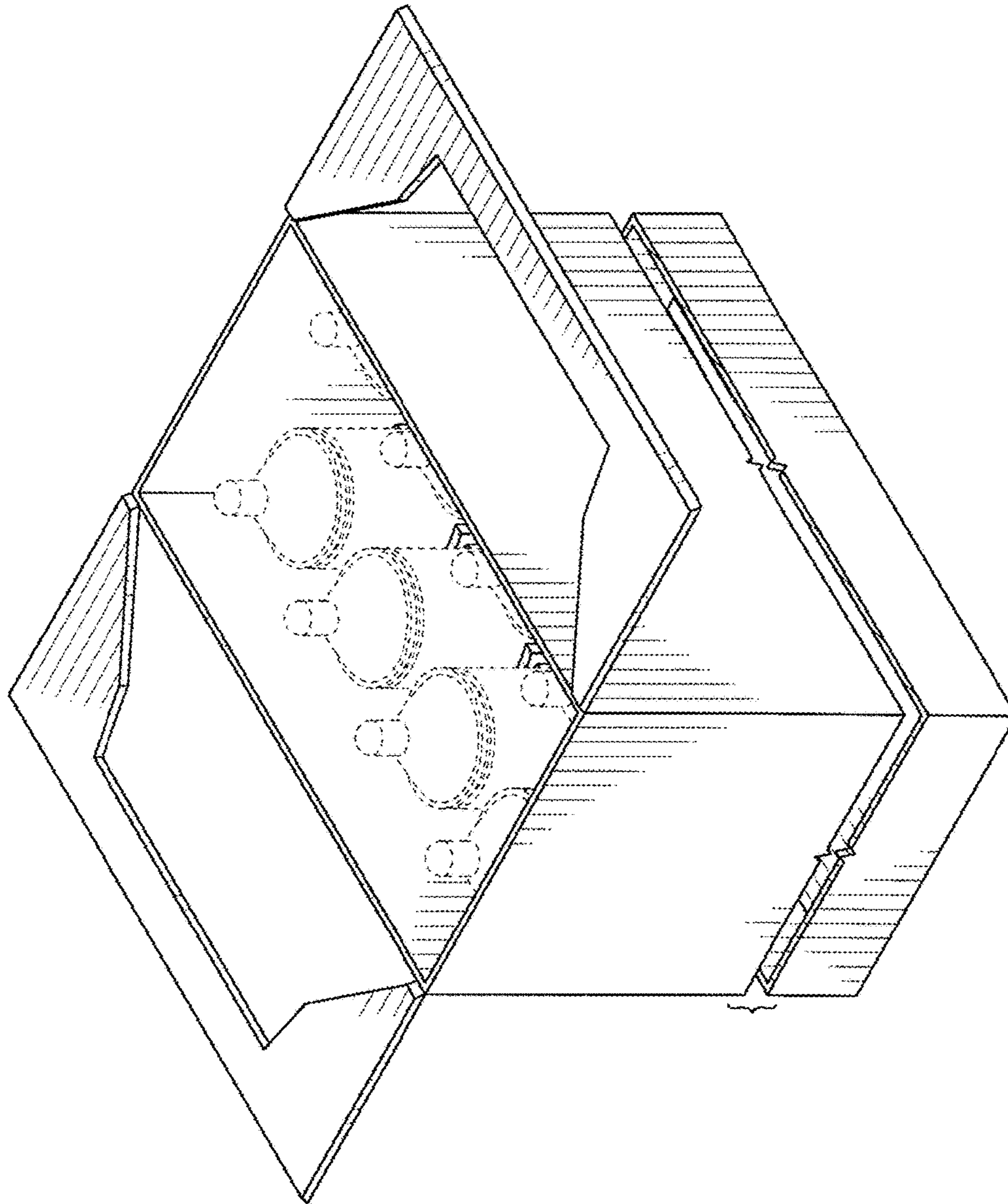


FIG. 8

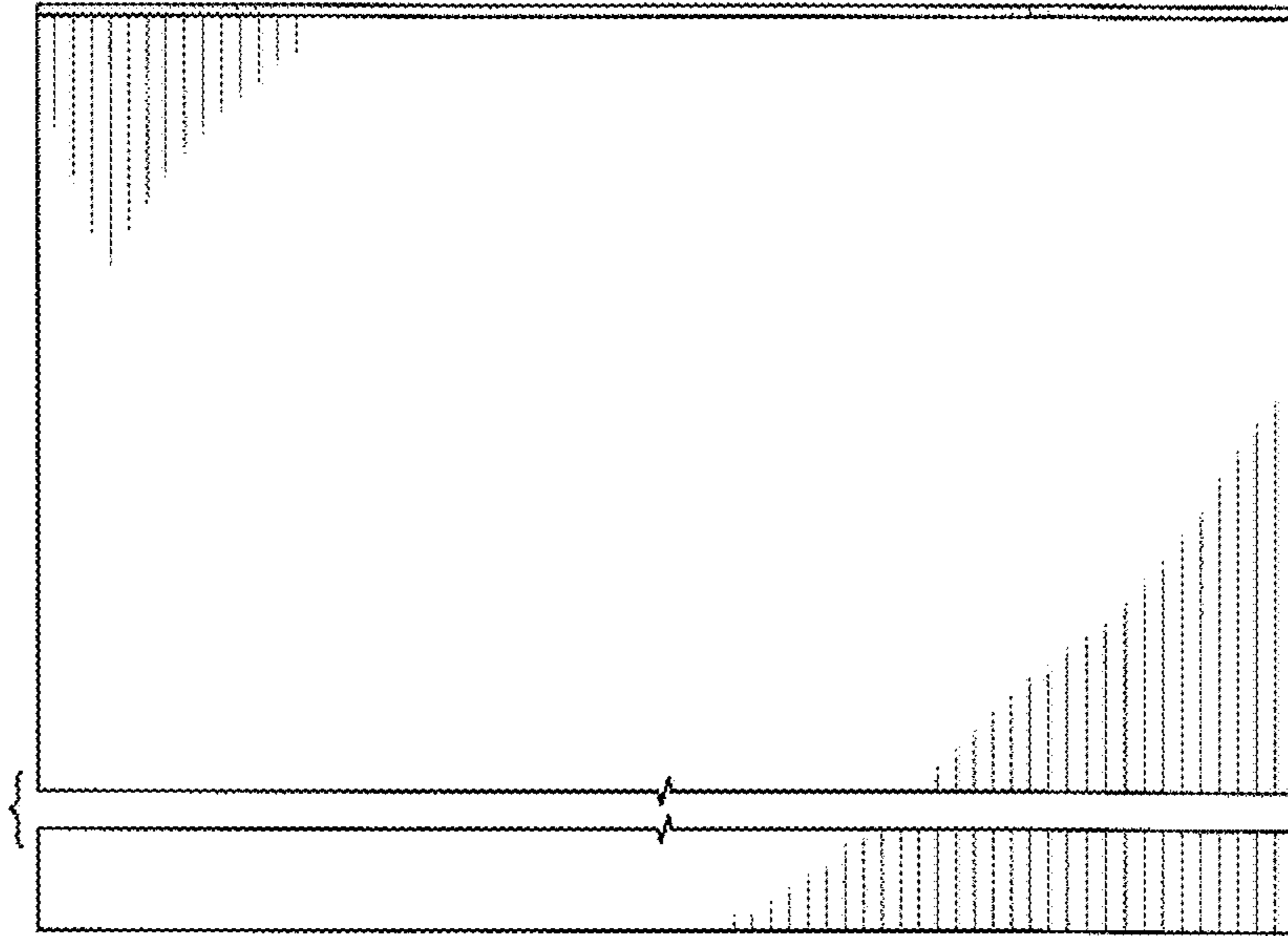


FIG. 9

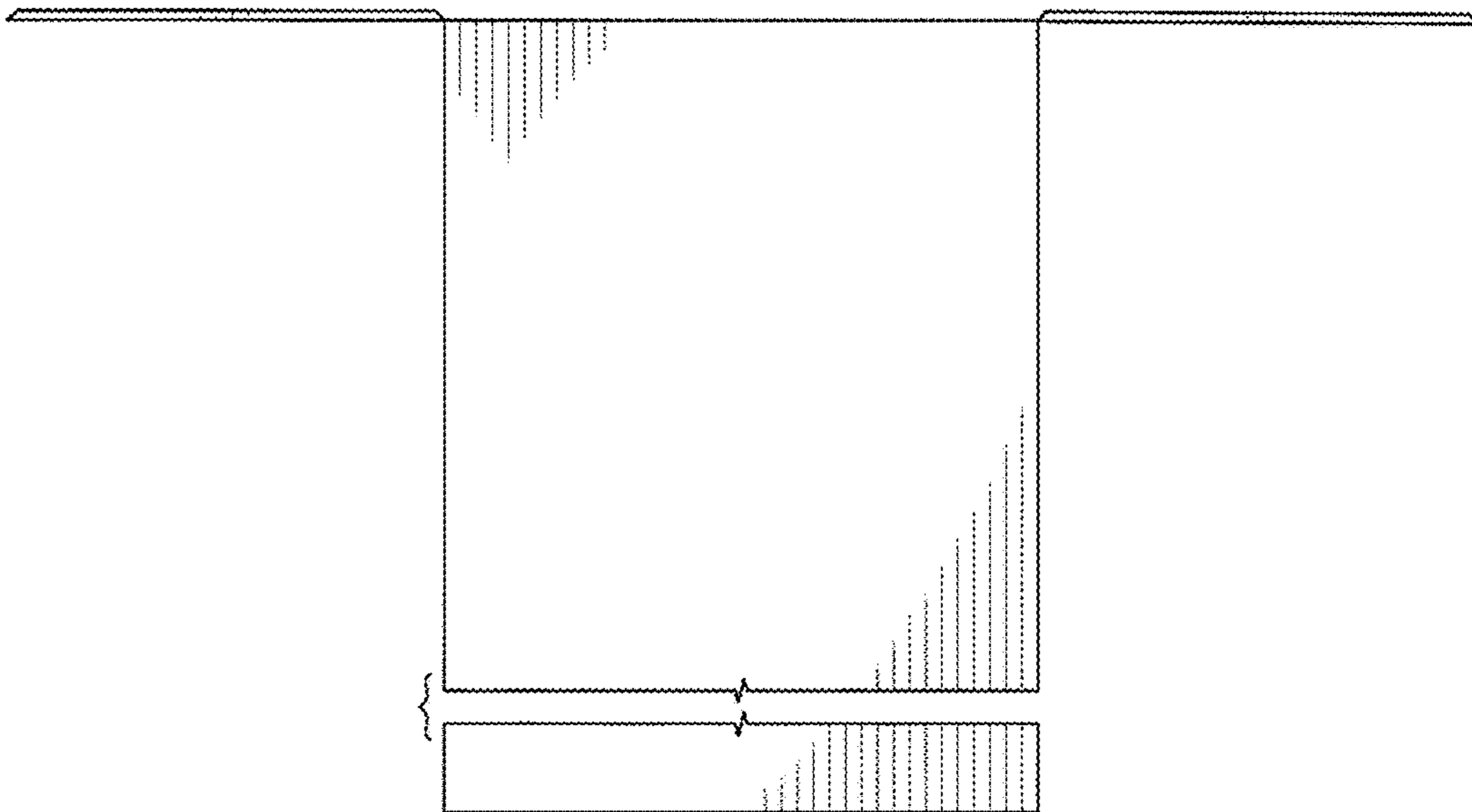


FIG. 10

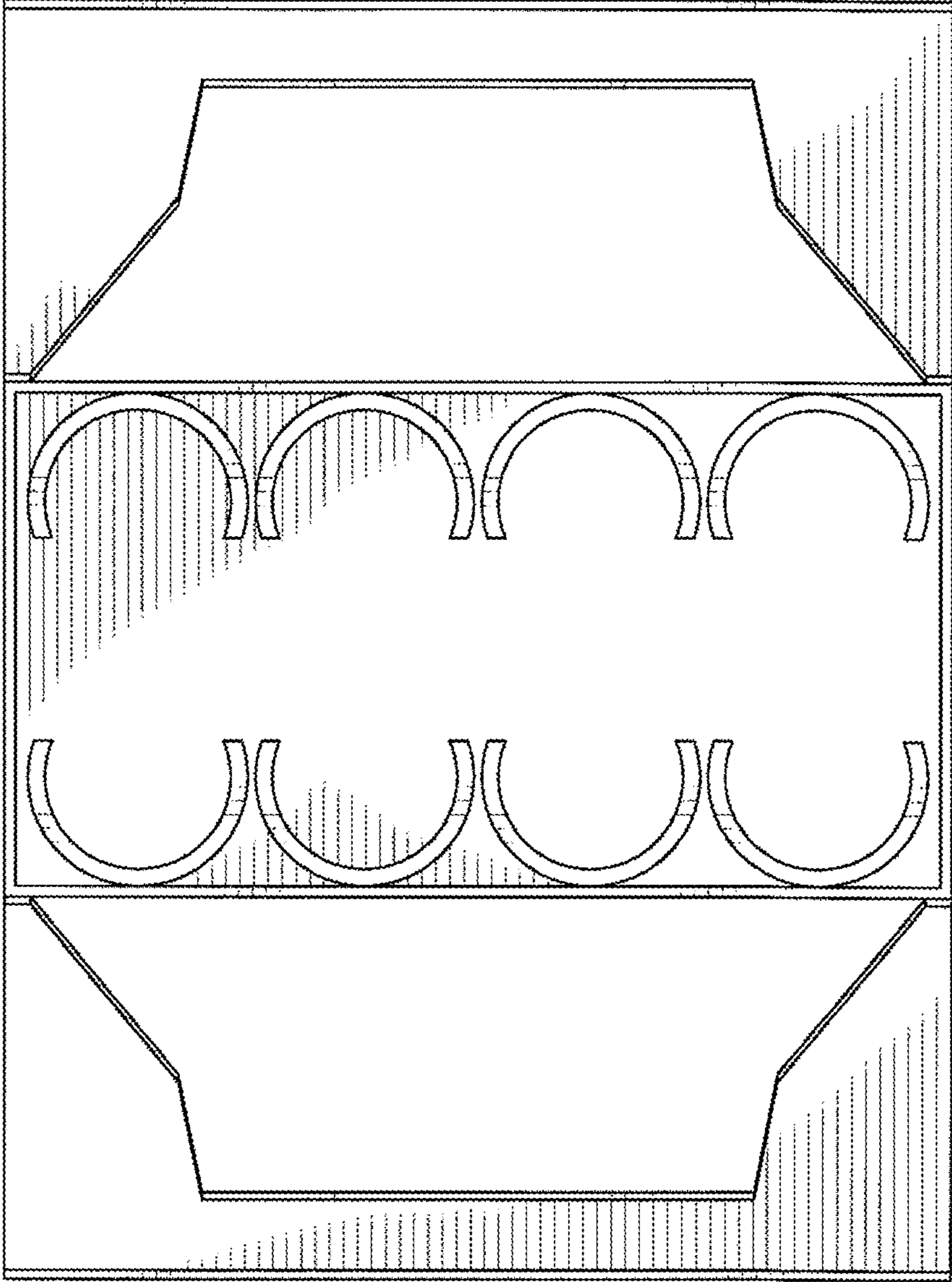


FIG. 11

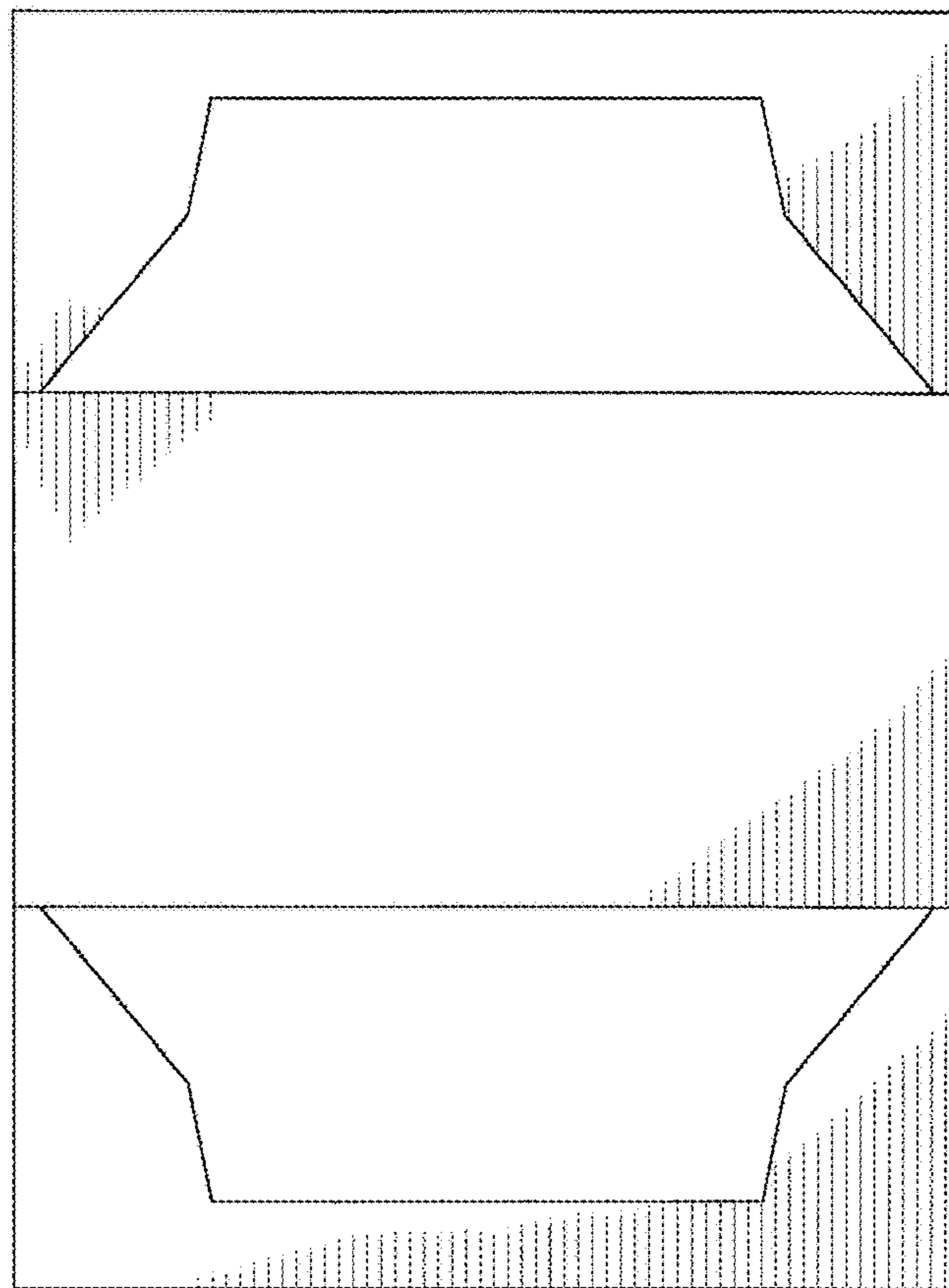


FIG. 12