



US00D790827S

(12) **United States Design Patent**
Fadil

(10) **Patent No.:** **US D790,827 S**

(45) **Date of Patent:** **** Jul. 4, 2017**

(54) **FOOT ARCH SUPPORT**

(71) Applicant: **Mark Fadil**, Palo Alto, CA (US)

(72) Inventor: **Mark Fadil**, Palo Alto, CA (US)

(**) Term: **15 Years**

(21) Appl. No.: **29/549,396**

(22) Filed: **Dec. 22, 2015**

(51) **LOC (10) Cl.** **02-04**

(52) **U.S. Cl.**
USPC **D2/961**

(58) **Field of Classification Search**

USPC D2/896, 946, 947, 961, 968, 976; 36/83,
36/99, 91, 92, 93, 96, 98, 136, 3 B, 25 R,
36/28, 29, 30 R, 32 R, 43, 44, 71
CPC A43B 1/00; A43B 1/0018; A43B 1/10;
A43B 3/00; A43B 3/10; A43B 3/101;
A43B 3/106; A43B 3/12; A43B 3/122;
A43B 3/126; A43B 3/24; A43B 3/248;
A43B 7/14; A43B 7/1405; A43B 7/141;
A43B 7/1415; A43B 7/142; A43B
7/1445; A43B 7/1475; A43B 7/18; A43B
7/19; A43B 7/22; A43B 7/223; A43B
7/226; A43B 7/32; A43B 7/36; A43B
17/00; A43B 17/003; A43B 17/14
See application file for complete search history.

(56) **References Cited**

U.S. PATENT DOCUMENTS

1,972,776 A * 9/1934 Hinder A43B 7/141
36/161
2,286,495 A * 6/1942 Matteson A43B 13/20
36/153
2,853,805 A * 9/1958 Dratman A43B 3/16
36/1
2,954,617 A * 10/1960 Yamaguchi A43B 5/08
36/105
3,068,872 A * 12/1962 Brody A43B 23/22
36/154

D235,591 S * 7/1975 Huff 36/11.5
4,811,500 A 3/1989 Maccano
D313,884 S * 1/1991 Beckley D2/914
5,794,368 A * 8/1998 Kirby A43B 5/185
36/116
D397,542 S * 9/1998 Bradshaw D2/909
5,992,057 A 11/1999 Monti
D462,510 S * 9/2002 Goodrich D2/961

(Continued)

FOREIGN PATENT DOCUMENTS

DE 3436670 4/1986
WO 9215214 9/1992

(Continued)

Primary Examiner — Elizabeth J Oswecki

(74) *Attorney, Agent, or Firm* — Lambert & Associates;
Gary E. Lambert; David J. Connaughton, Jr.

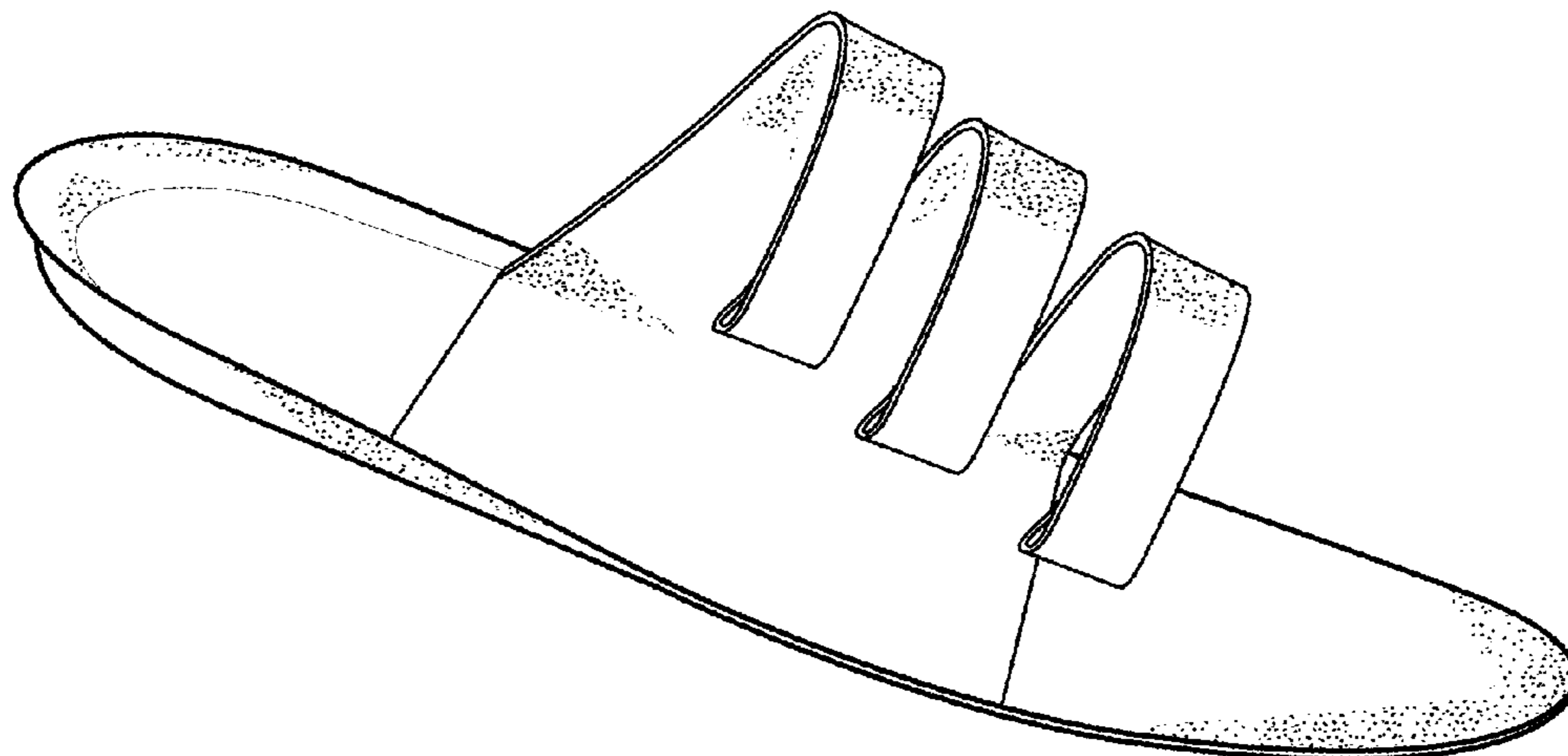
(57) **CLAIM**

The ornamental design for a foot arch support, as shown and described.

DESCRIPTION

FIG. 1 is a perspective view of a foot arch support showing my new design;
FIG. 2 is a rear elevation view thereof;
FIG. 3 is a front elevation view thereof;
FIG. 4 is a top plan view thereof;
FIG. 5 is a bottom plan view thereof;
FIG. 6 is a left side elevation view thereof;
FIG. 7 is a right side elevation view thereof;
FIG. 8 is another left side elevation view thereof, shown in a used condition with a shoe in broken lines; and,
FIG. 9 is another perspective view thereof, shown in a used condition with a shoe shown in broken lines.
The broken lines shown in the drawings represent portions of the foot arch support that form no part of the claimed design.

1 Claim, 4 Drawing Sheets



(56)

References Cited

U.S. PATENT DOCUMENTS

6,514,222 B2 * 2/2003 Cook A61F 5/05866
602/20
D474,590 S * 5/2003 Bacon D2/961
D475,184 S * 6/2003 Polifroni D2/961
D485,425 S * 1/2004 Polifroni D2/961
D486,625 S * 2/2004 Hipkiss D2/961
D489,521 S * 5/2004 Bacon D2/961
D536,518 S * 2/2007 Gallegos D2/961
7,200,957 B2 4/2007 Hubbard
7,343,701 B2 3/2008 Pare
D608,532 S * 1/2010 Novins D2/909
D657,946 S * 4/2012 Champagne D2/961
D662,291 S * 6/2012 Helmstadt D2/909
8,230,618 B2 7/2012 Bruce
D699,425 S * 2/2014 Coleman D2/961
8,857,077 B2 10/2014 Kahatsu

FOREIGN PATENT DOCUMENTS

WO 2009137662 11/2009
WO 2012047405 4/2012

* cited by examiner

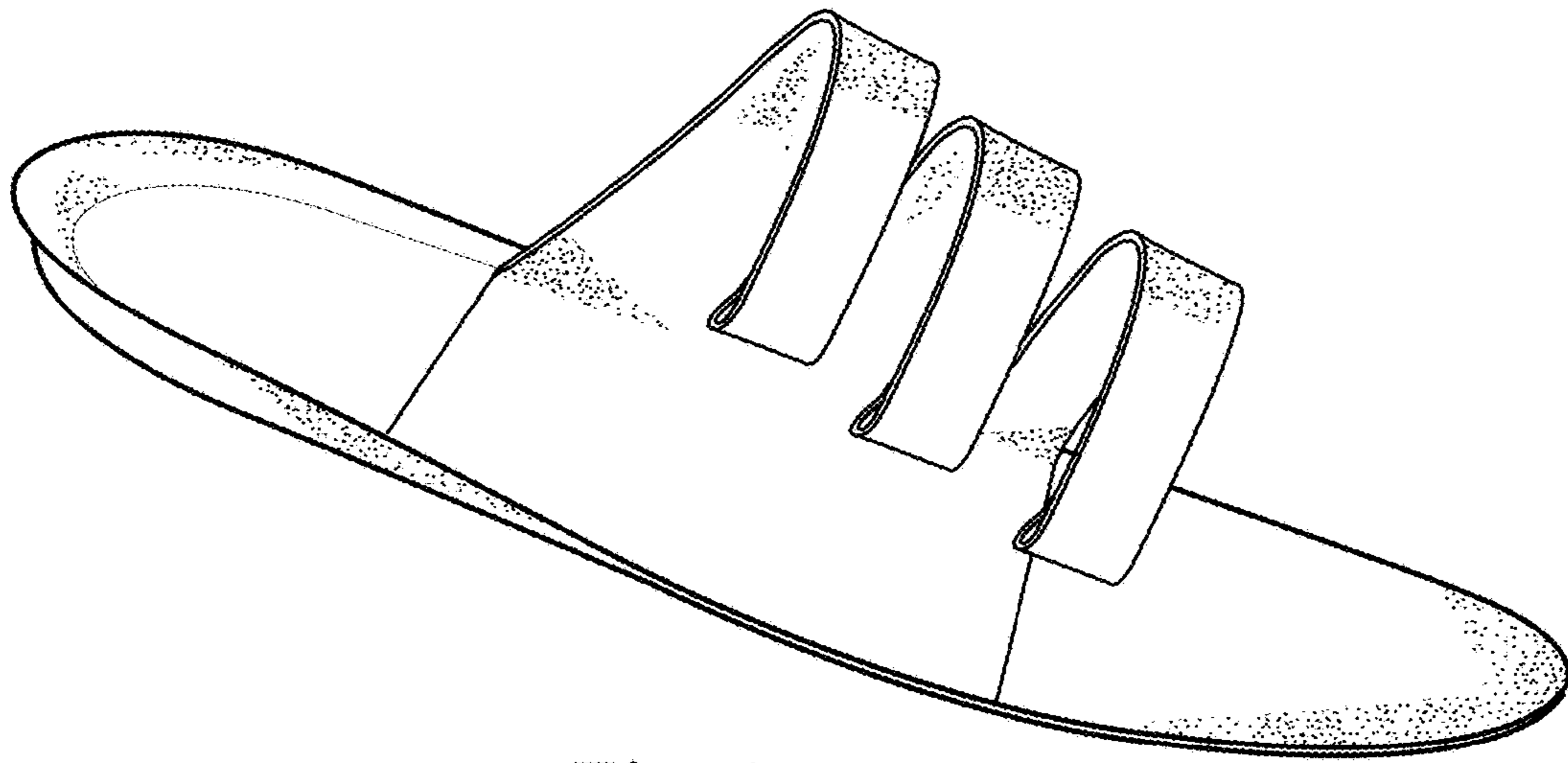


Fig. 1

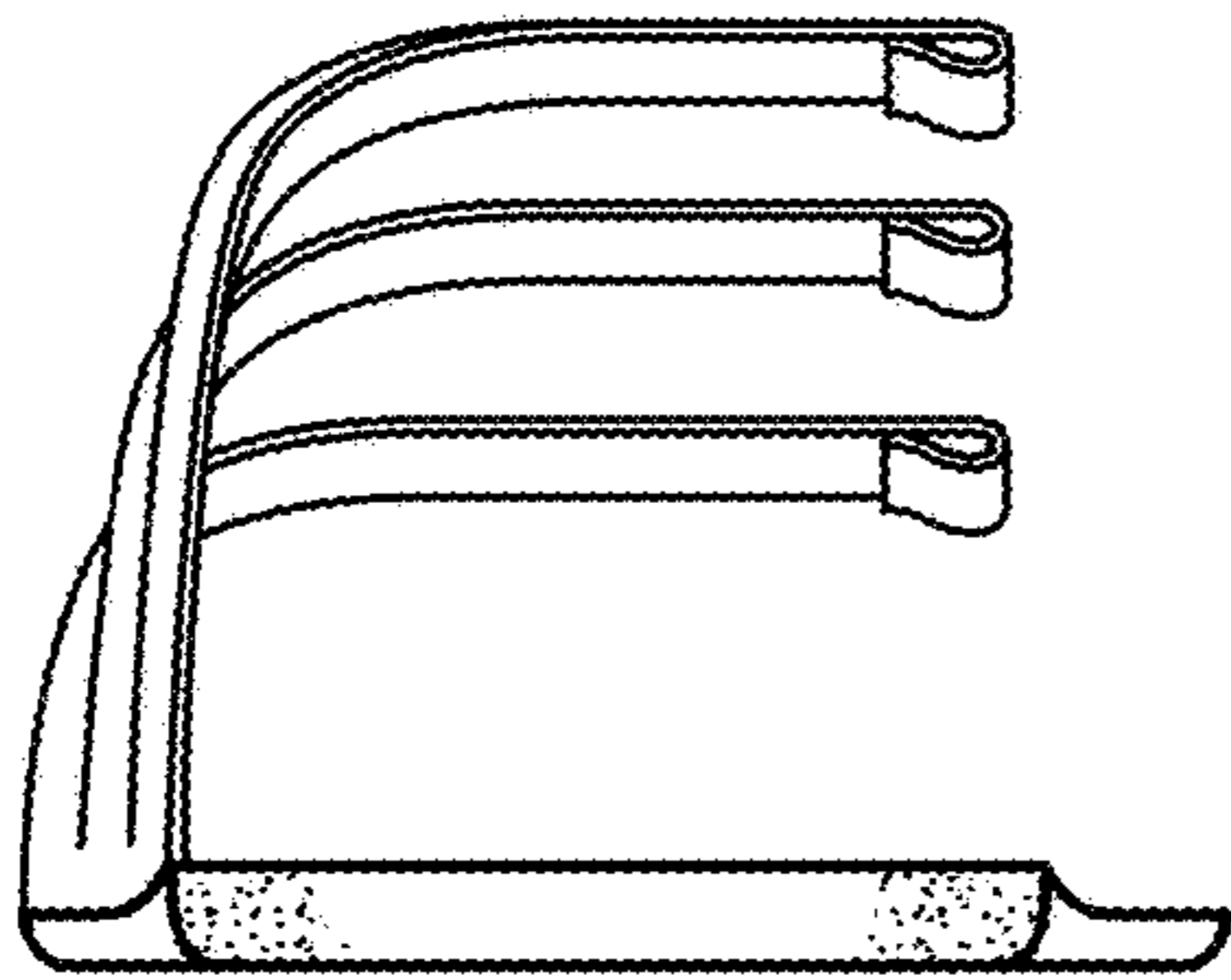


Fig. 2

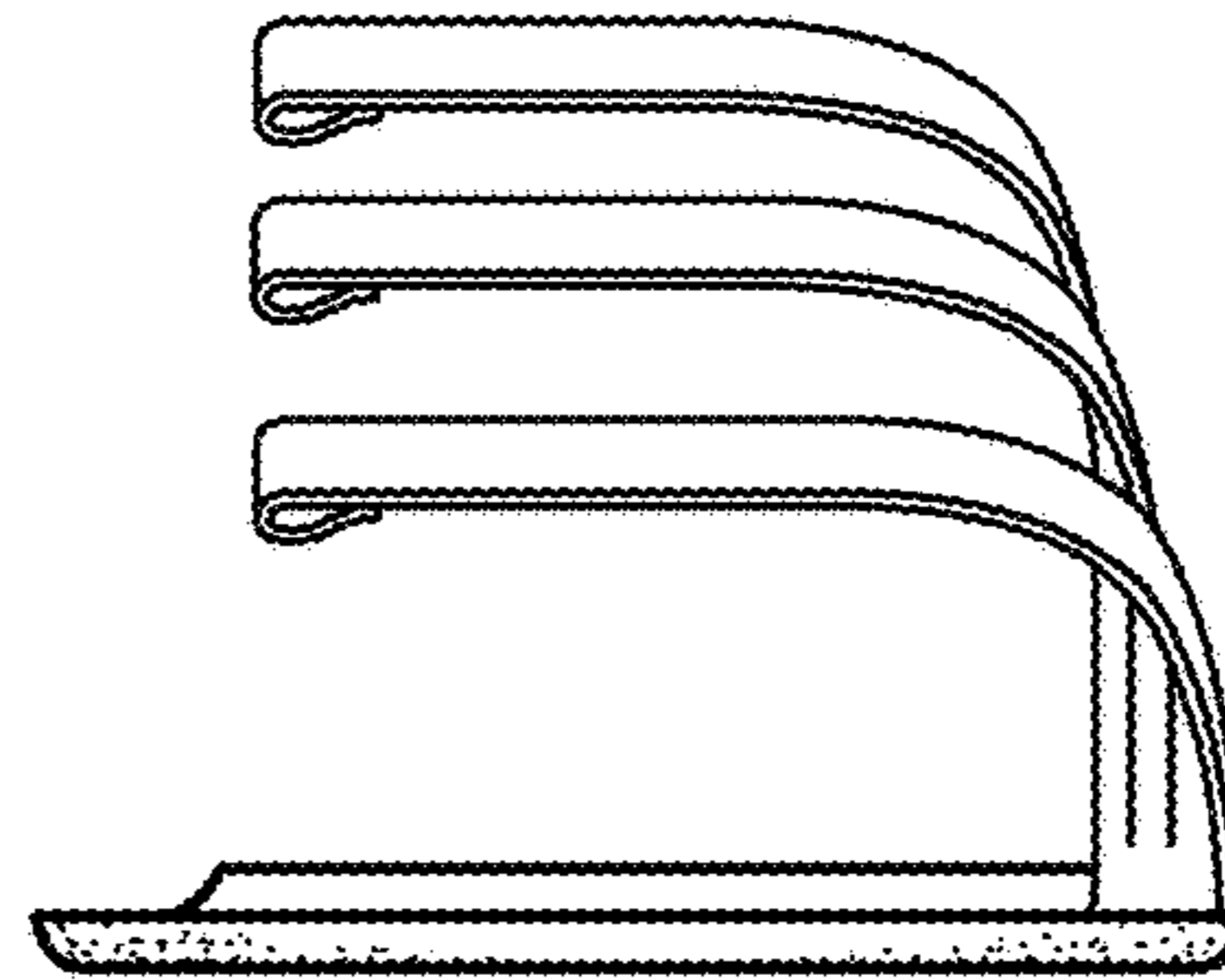


Fig. 3

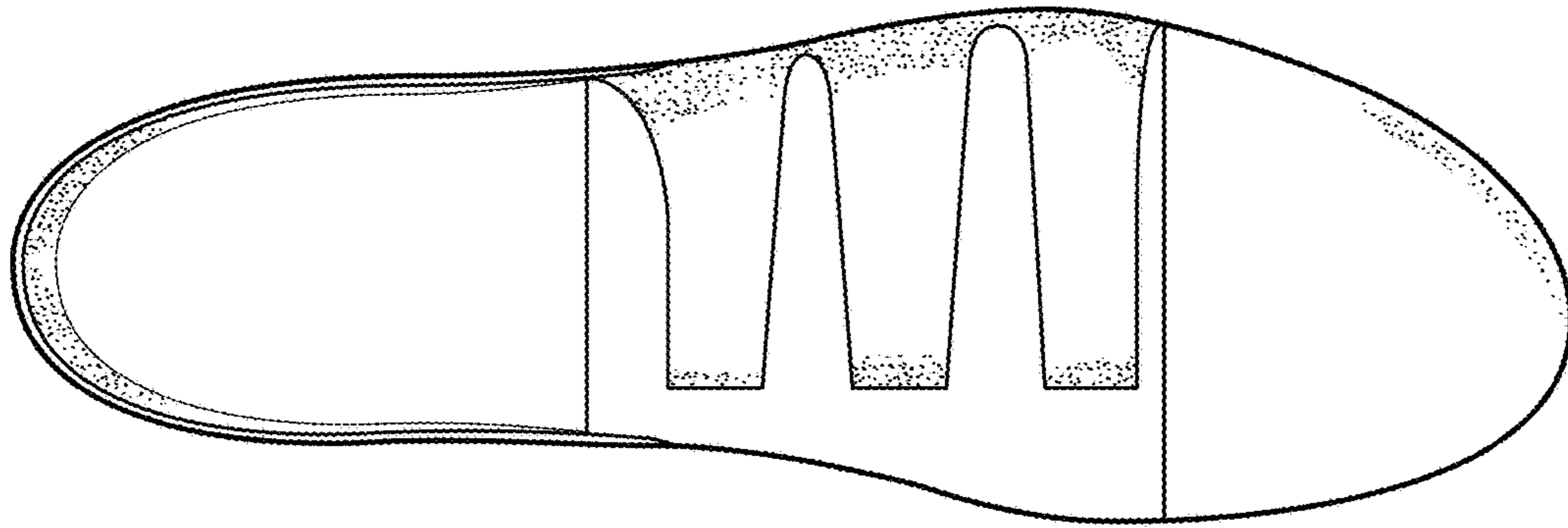


Fig. 4

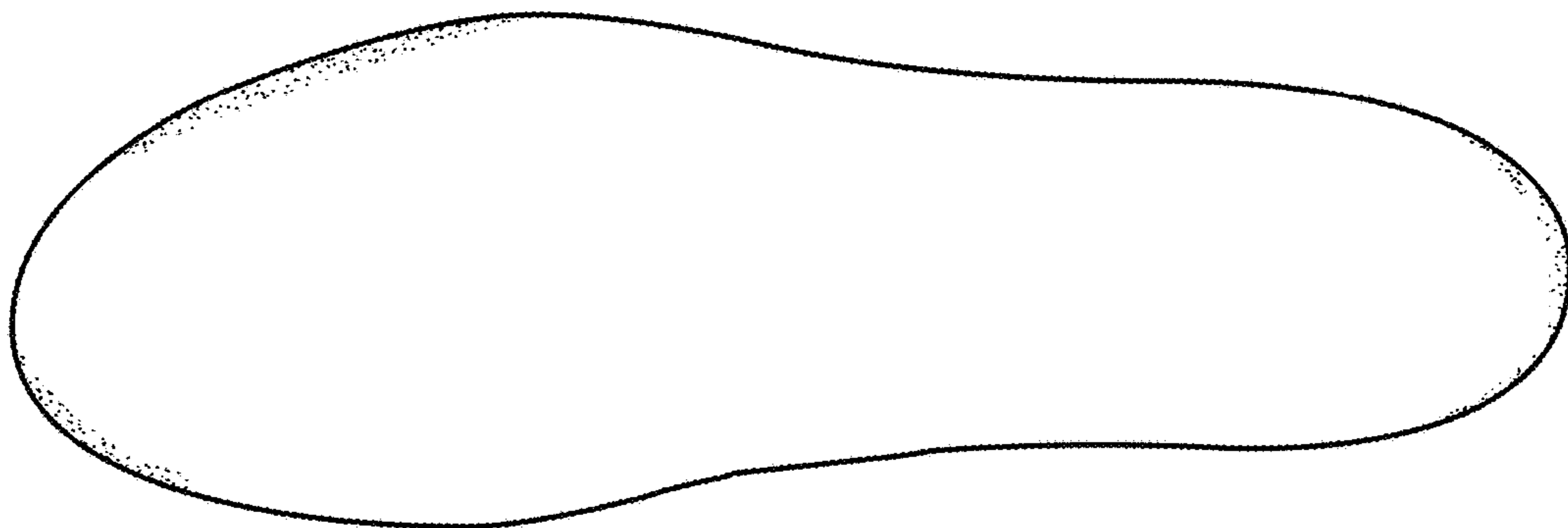


Fig. 5

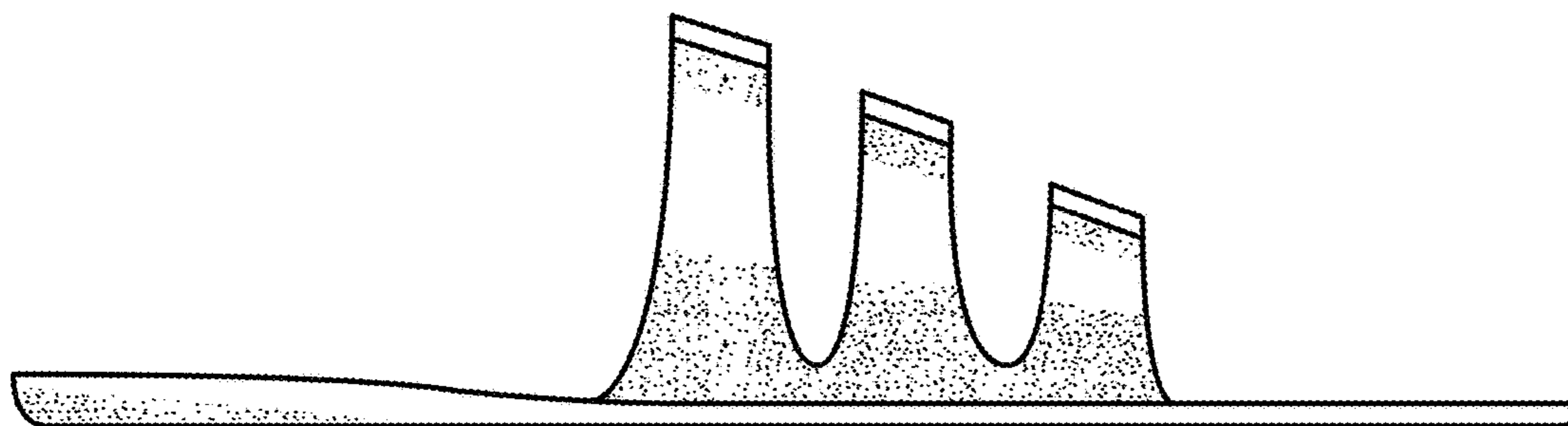


Fig. 6

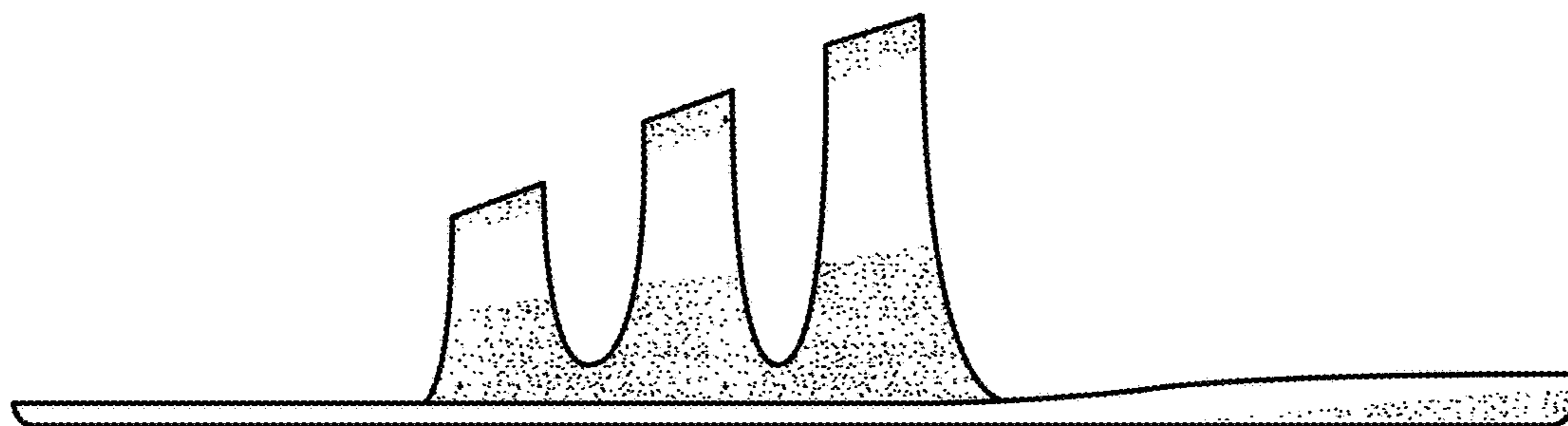


Fig. 7

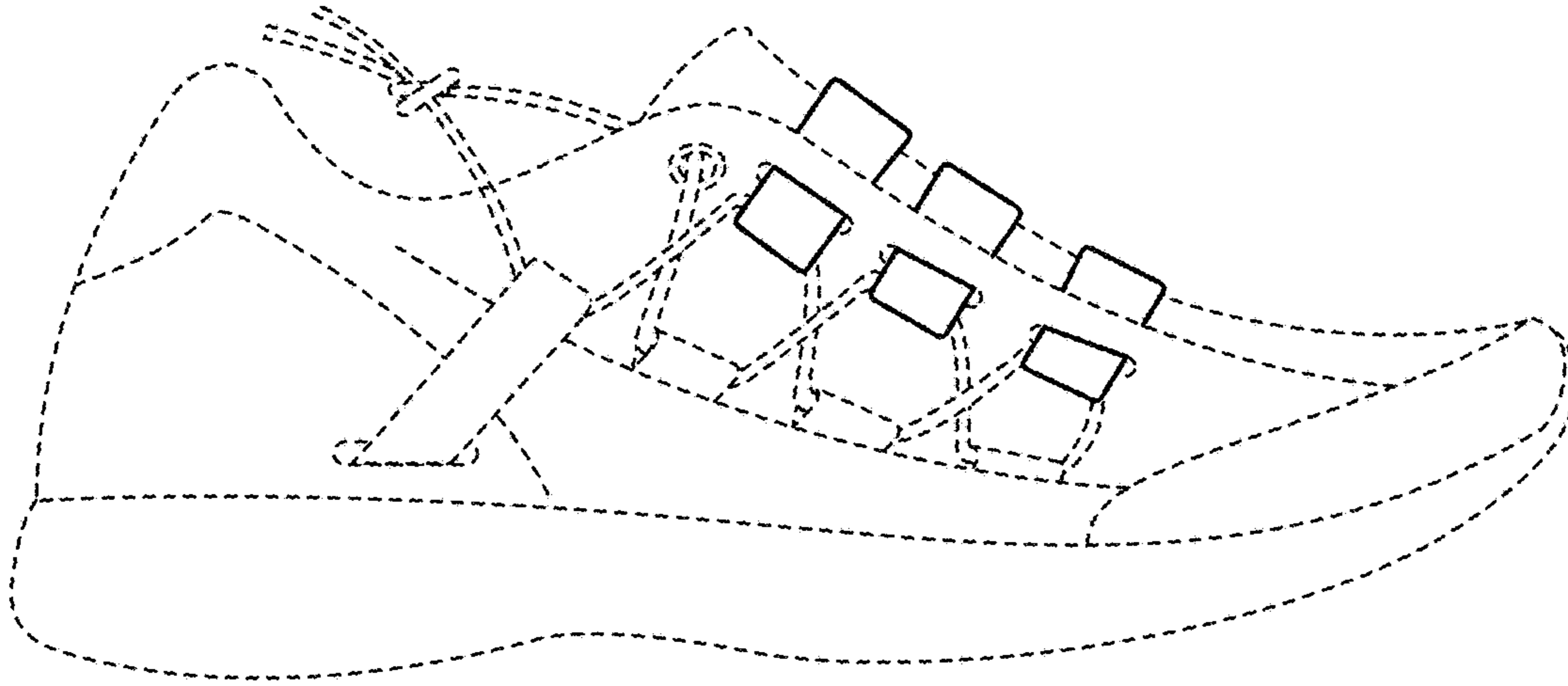


Fig. 8

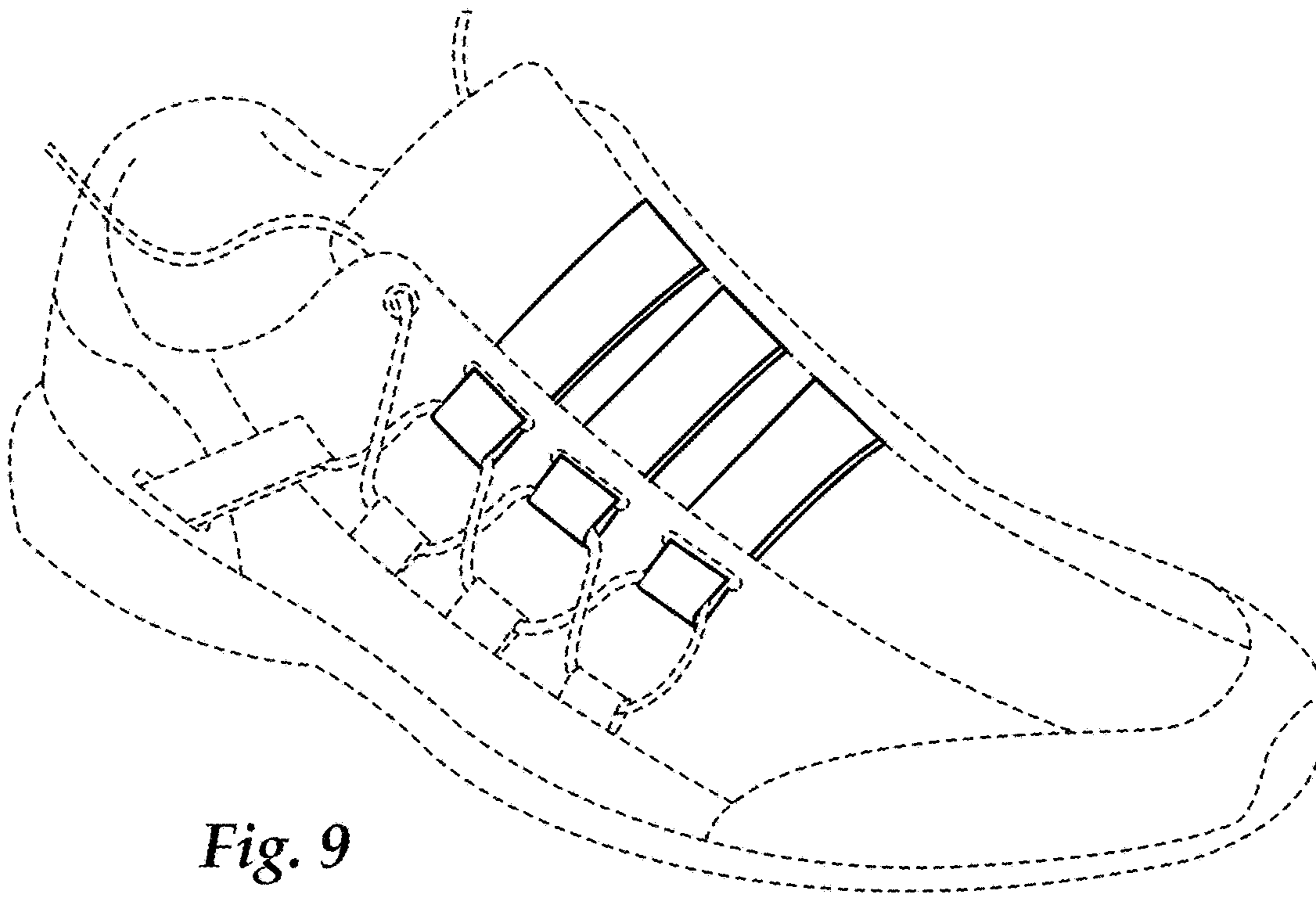


Fig. 9