

US00D790826S

(12) **United States Design Patent** (10) **Patent No.:** **US D790,826 S**  
**Fadil** (45) **Date of Patent:** **\*\* Jul. 4, 2017**

(54) **FOOT ARCH SUPPORT**

4,811,500 A 3/1989 Maccano  
D313,884 S \* 1/1991 Beckley ..... D2/914  
5,794,368 A \* 8/1998 Kirby ..... A43B 5/185  
36/116

(71) Applicant: **Mark Fadil**, Palo Alto, CA (US)

(72) Inventor: **Mark Fadil**, Palo Alto, CA (US)

(Continued)

(\*\*) Term: **15 Years**

FOREIGN PATENT DOCUMENTS

(21) Appl. No.: **29/549,391**

DE 3436670 4/1986  
WO 9215214 9/1992

(22) Filed: **Dec. 22, 2015**

(Continued)

(51) **LOC (10) Cl.** ..... **02-04**

*Primary Examiner* — Elizabeth J Oswecki

(52) **U.S. Cl.**

(74) *Attorney, Agent, or Firm* — Lambert & Associates;  
Gary E. Lambert; David J. Connaughton, Jr.

USPC ..... **D2/961**

(58) **Field of Classification Search**

USPC ..... D2/896, 946, 947, 961, 968, 976; 36/83,  
36/99, 91, 92, 93, 96, 98, 136, 3 B, 25 R,  
36/28, 29, 30 R, 32 R, 43, 44, 71  
CPC ..... A43B 1/00; A43B 1/0018; A43B 1/10;  
A43B 3/00; A43B 3/10; A43B 3/101;  
A43B 3/106; A43B 3/12; A43B 3/122;  
A43B 3/126; A43B 3/24; A43B 3/248;  
A43B 7/14; A43B 7/1405; A43B 7/141;  
A43B 7/1415; A43B 7/142; A43B  
7/1445; A43B 7/1475; A43B 7/18; A43B  
7/19; A43B 7/22; A43B 7/223; A43B  
7/226; A43B 7/32; A43B 7/36; A43B  
17/00; A43B 17/003; A43B 17/14

See application file for complete search history.

(57) **CLAIM**

The ornamental design for a foot arch support, as shown and described.

**DESCRIPTION**

FIG. 1 is a perspective view of a foot arch support showing my new design;  
FIG. 2 is a rear elevation view thereof;  
FIG. 3 is a front elevation view thereof;  
FIG. 4 is a top plan view thereof;  
FIG. 5 is a bottom plan view thereof;  
FIG. 6 is a left side elevation view thereof;  
FIG. 7 is a right side elevation view thereof;  
FIG. 8 is another left side elevation view thereof, shown in a used condition with a shoe in broken lines;  
FIG. 9 is another perspective view thereof, shown in a used condition in a shoe shown in broken lines; and,  
FIG. 10 is another perspective view thereof, shown in a used condition in a shoe with the shoe tongue removed shown in broken lines.

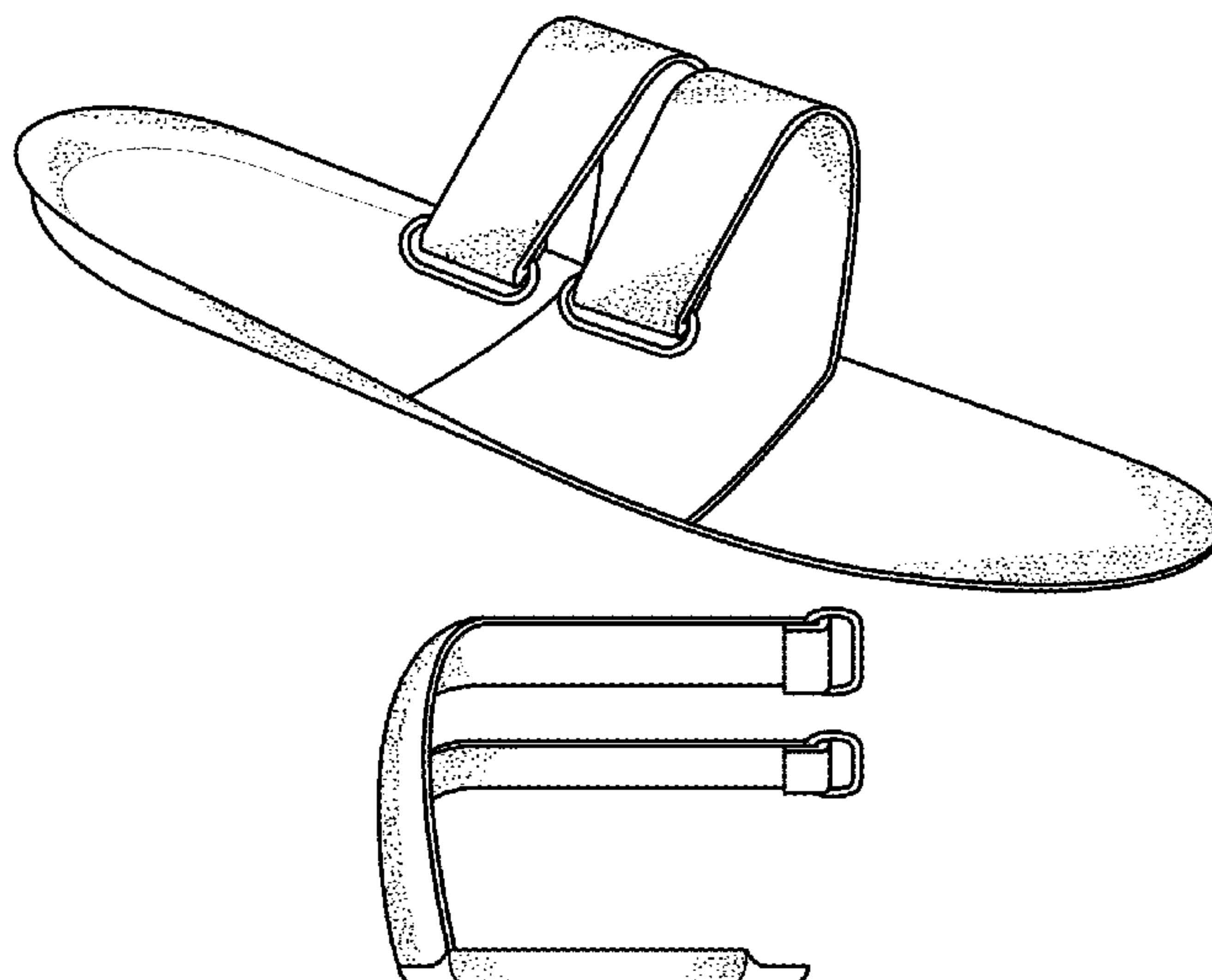
The broken lines shown in the drawings represent portions of the foot arch support that form no part of the claimed design.

(56) **References Cited**

U.S. PATENT DOCUMENTS

1,972,776 A \* 9/1934 Hinder ..... A43B 7/141  
36/161  
2,286,495 A \* 6/1942 Matteson ..... A43B 13/20  
36/153  
2,853,805 A \* 9/1958 Dratman ..... A43B 3/16  
36/1  
2,954,617 A \* 10/1960 Yamaguchi ..... A43B 5/08  
36/105  
3,068,872 A \* 12/1962 Brody ..... A43B 23/22  
36/154  
D235,591 S \* 7/1975 Huff ..... 36/11.5

**1 Claim, 5 Drawing Sheets**



(56)

References Cited

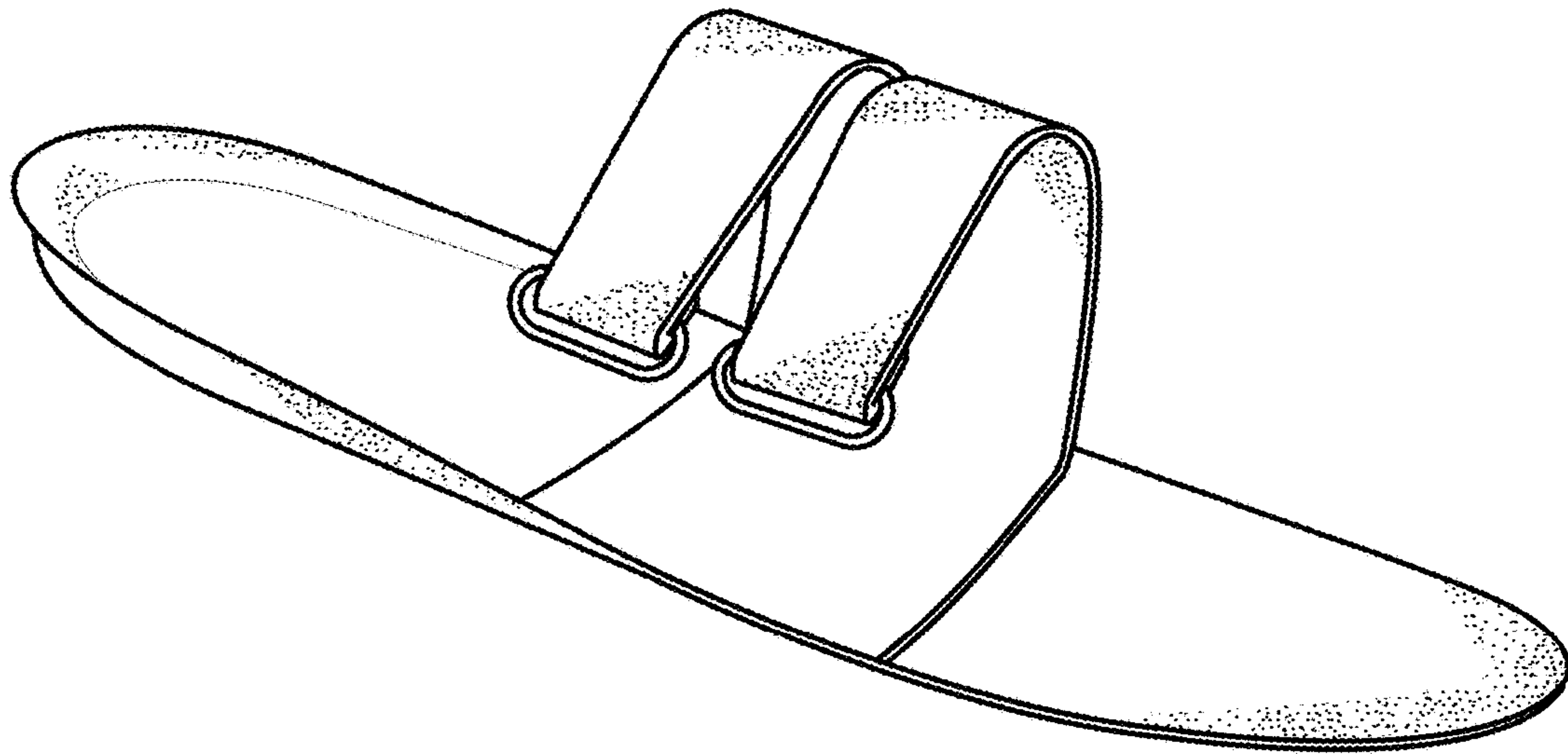
U.S. PATENT DOCUMENTS

D397,542 S \* 9/1998 Bradshaw ..... D2/909  
5,992,057 A 11/1999 Monti  
D462,510 S \* 9/2002 Goodrich ..... D2/961  
6,514,222 B2 \* 2/2003 Cook ..... A61F 5/05866  
602/20  
D474,590 S \* 5/2003 Bacon ..... D2/961  
D475,184 S \* 6/2003 Polifroni ..... D2/961  
D485,425 S \* 1/2004 Polifroni ..... D2/961  
D486,625 S \* 2/2004 Hipkiss ..... D2/961  
D489,521 S \* 5/2004 Bacon ..... D2/961  
D536,518 S \* 2/2007 Gallegos ..... D2/961  
7,200,957 B2 4/2007 Hubbard  
7,343,701 B2 3/2008 Pare  
D608,532 S \* 1/2010 Novins ..... D2/909  
D657,946 S \* 4/2012 Champagne ..... D2/961  
D662,291 S \* 6/2012 Helmstadt ..... D2/909  
8,230,618 B2 7/2012 Bruce  
D699,425 S \* 2/2014 Coleman ..... D2/961  
8,857,077 B2 10/2014 Kahatsu

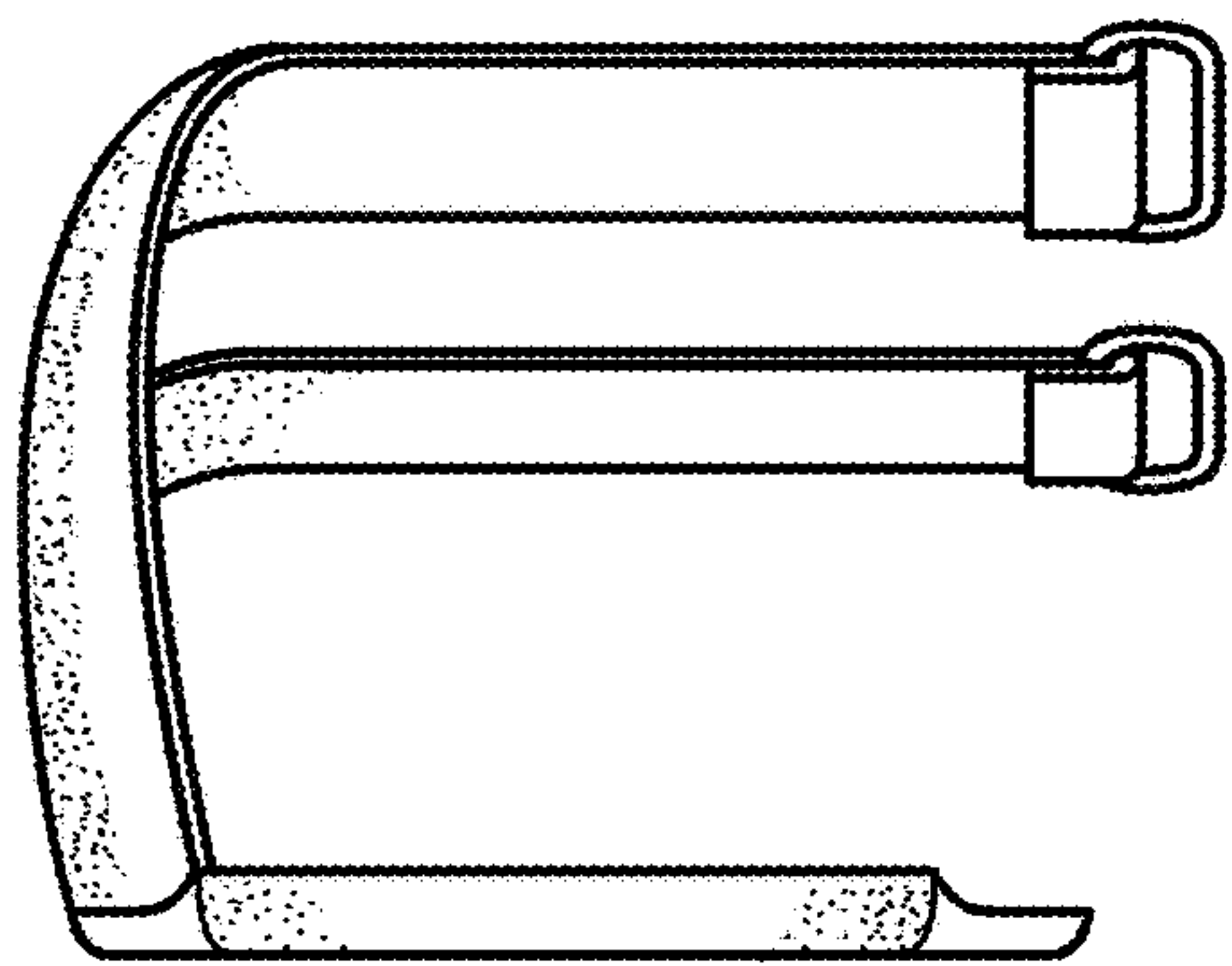
FOREIGN PATENT DOCUMENTS

WO 2009137662 11/2009  
WO 2012047405 4/2012

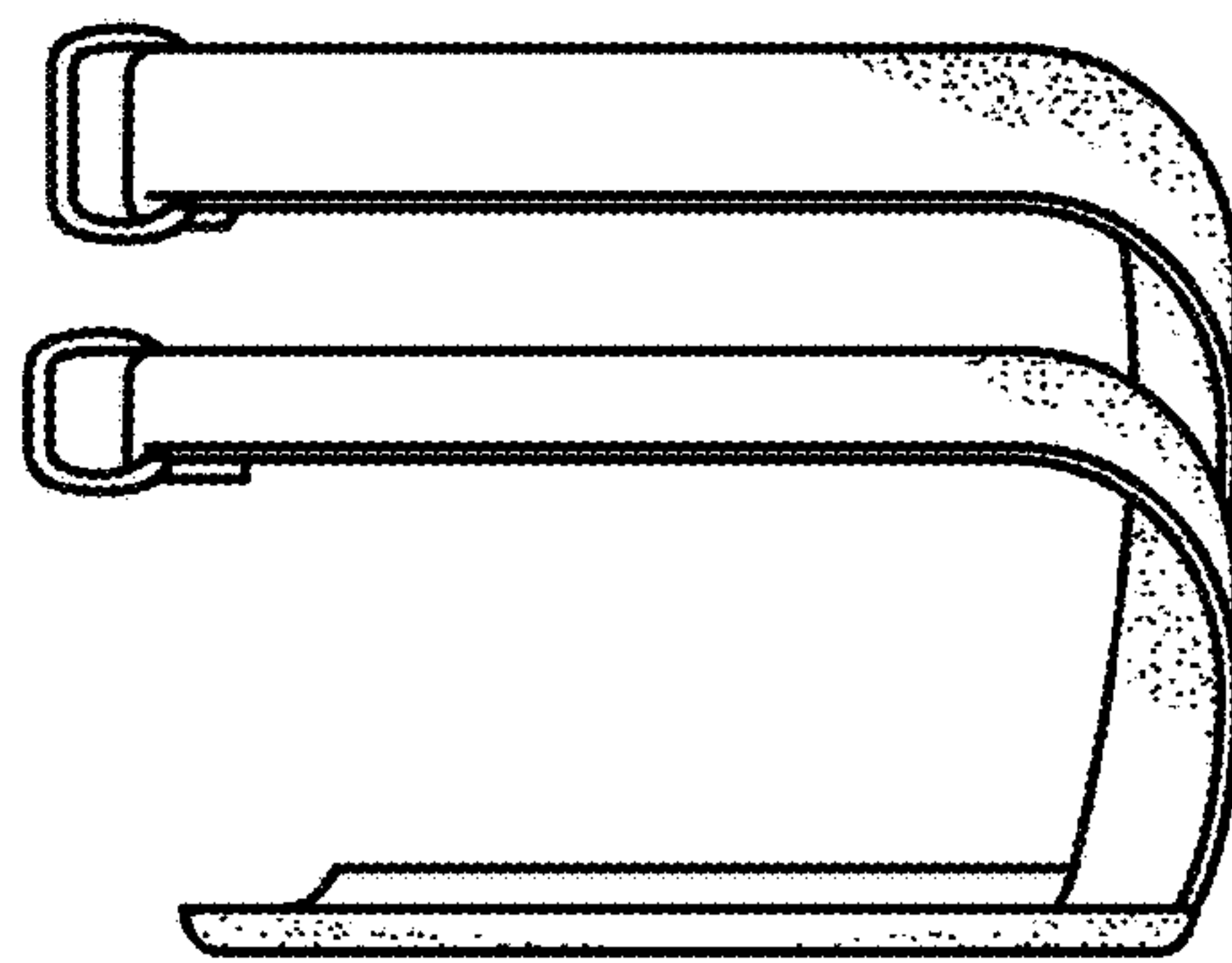
\* cited by examiner



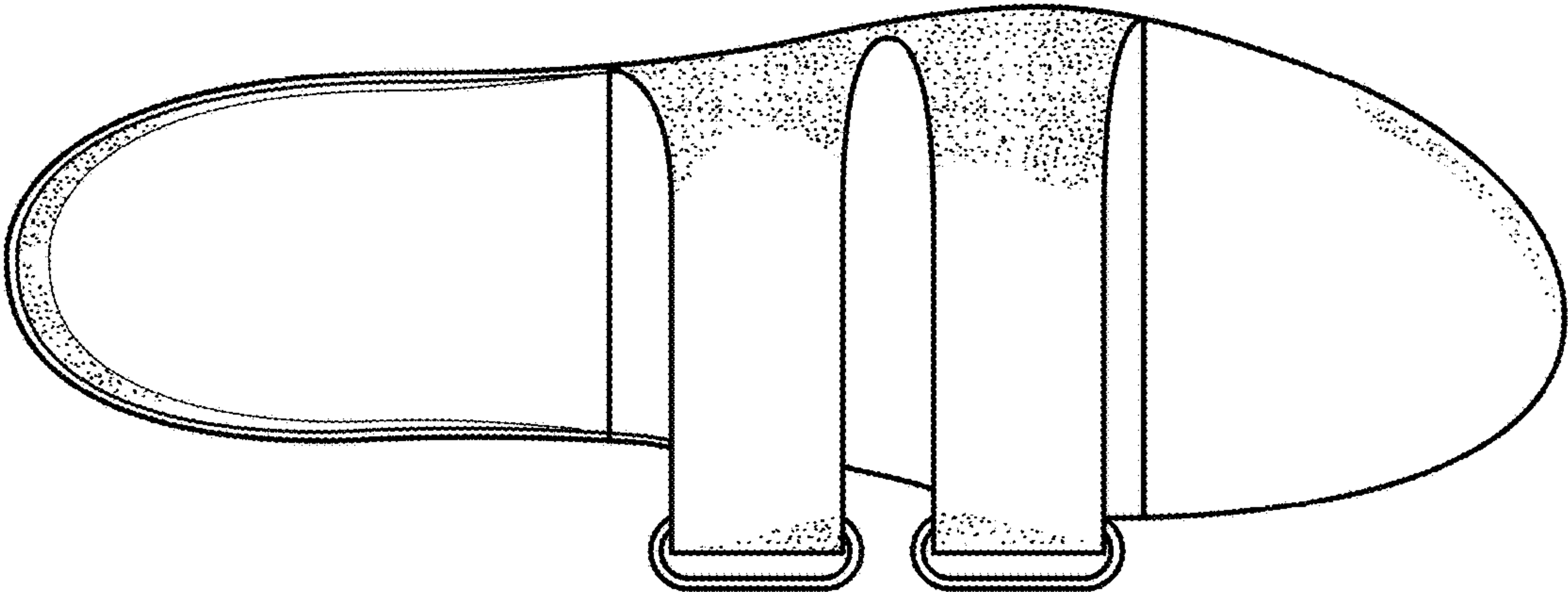
*Fig. 1*



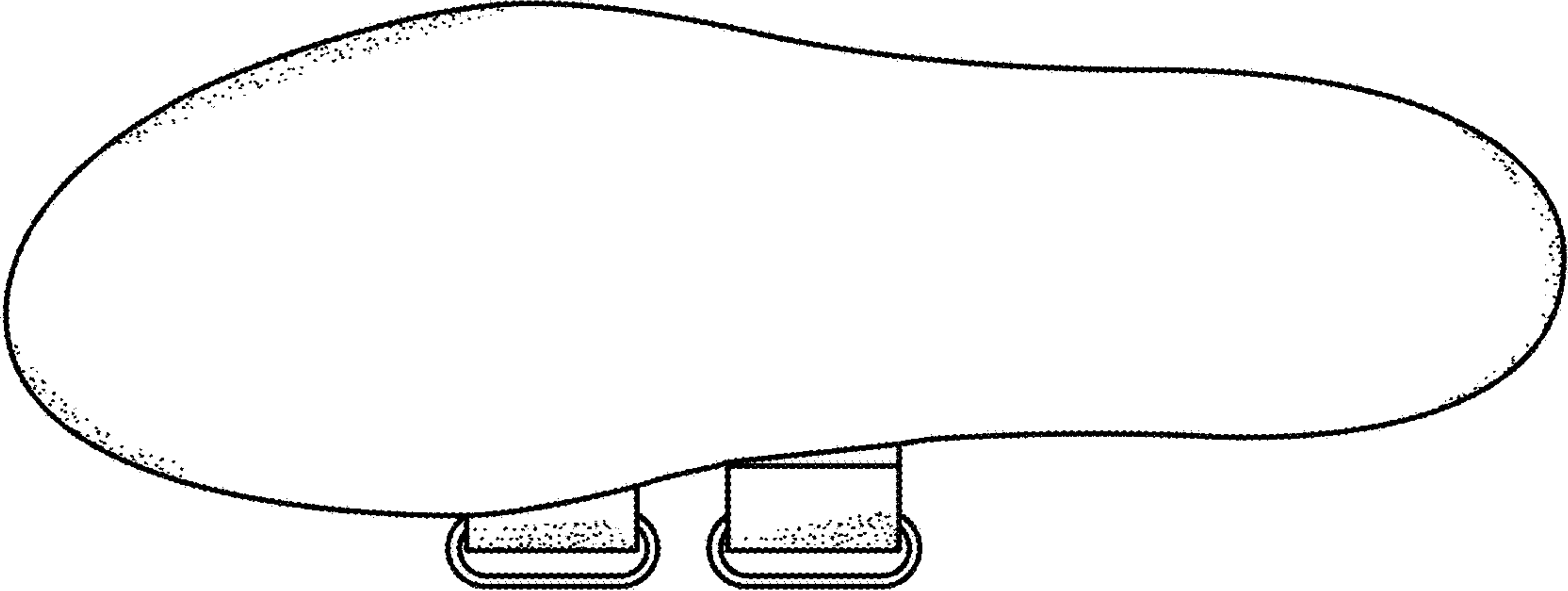
*Fig. 2*



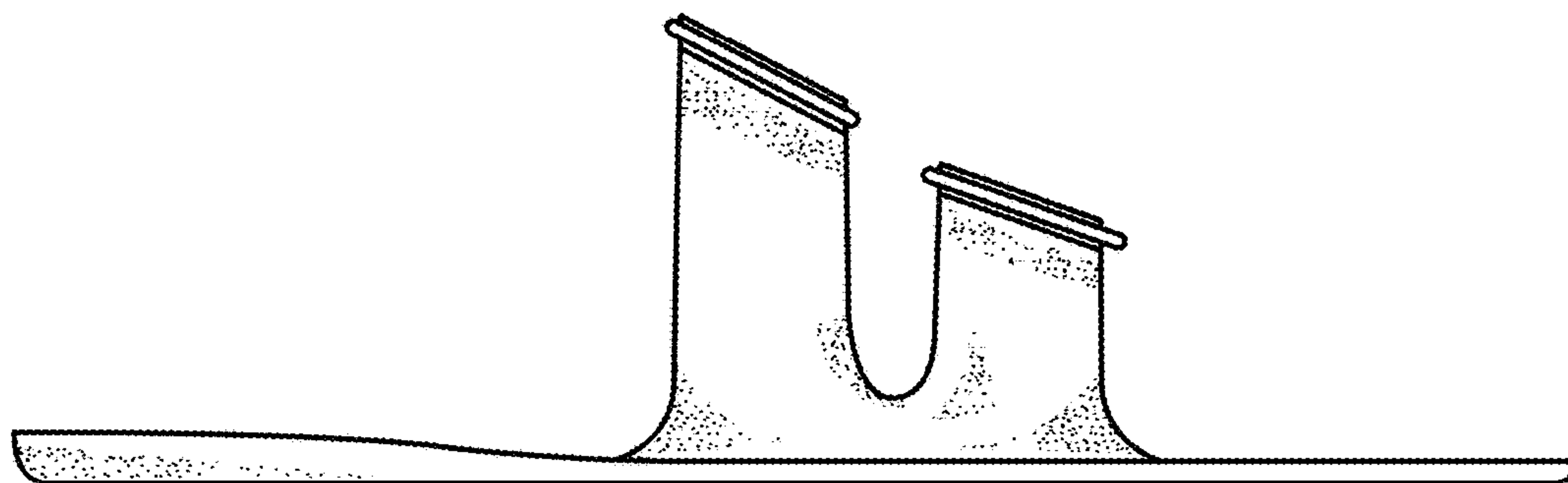
*Fig. 3*



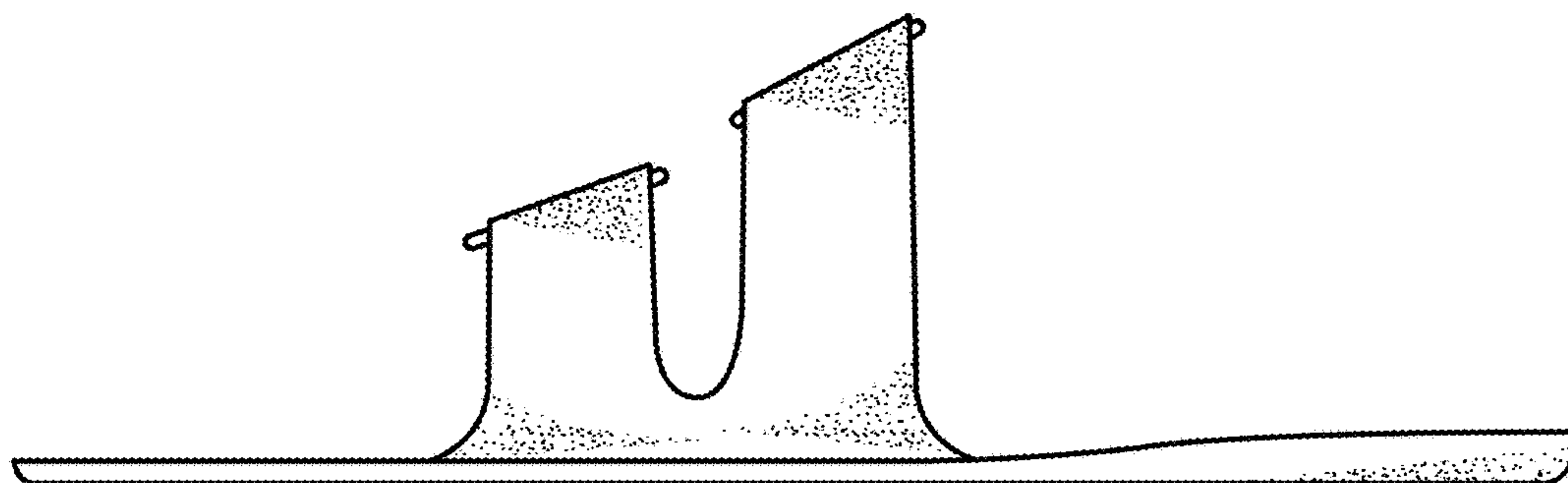
*Fig. 4*



*Fig. 5*

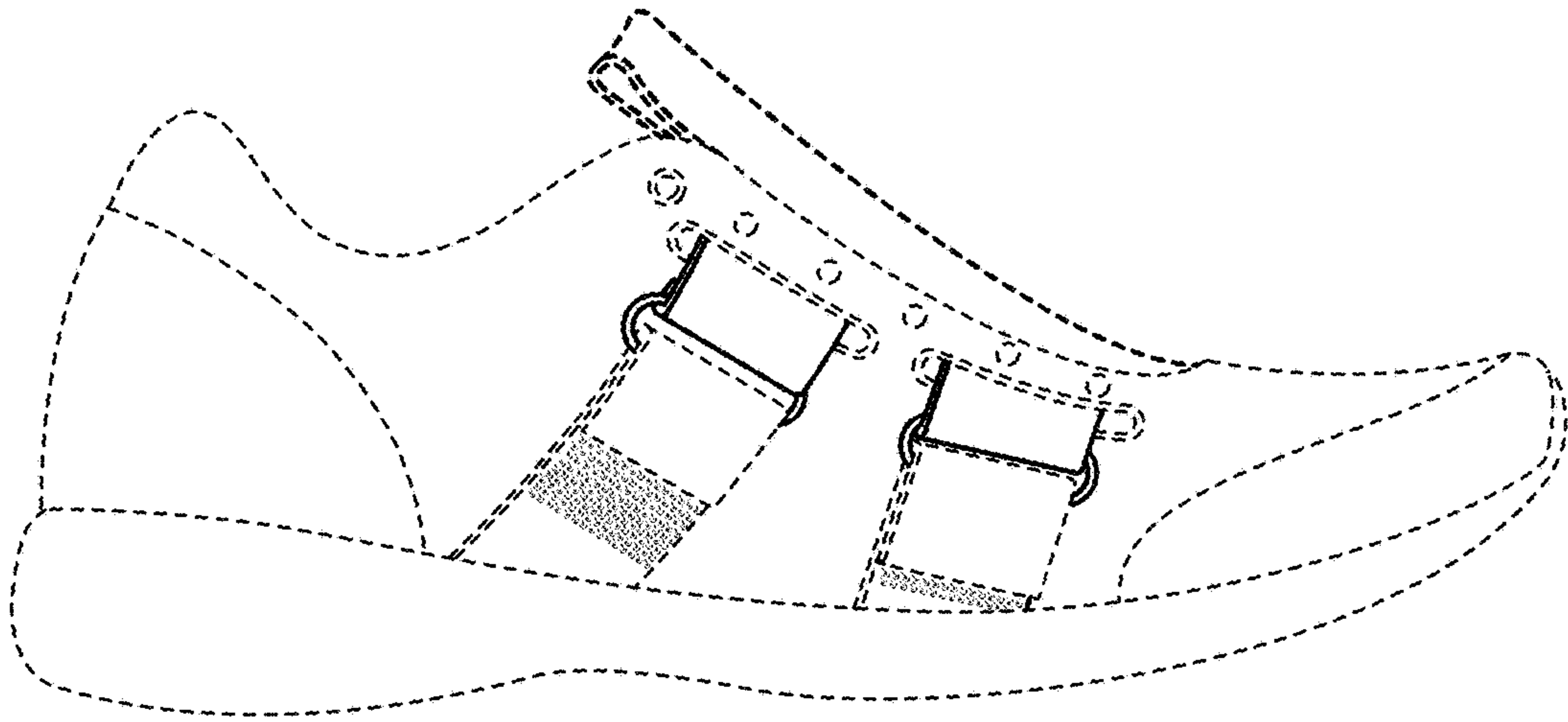


*Fig. 6*

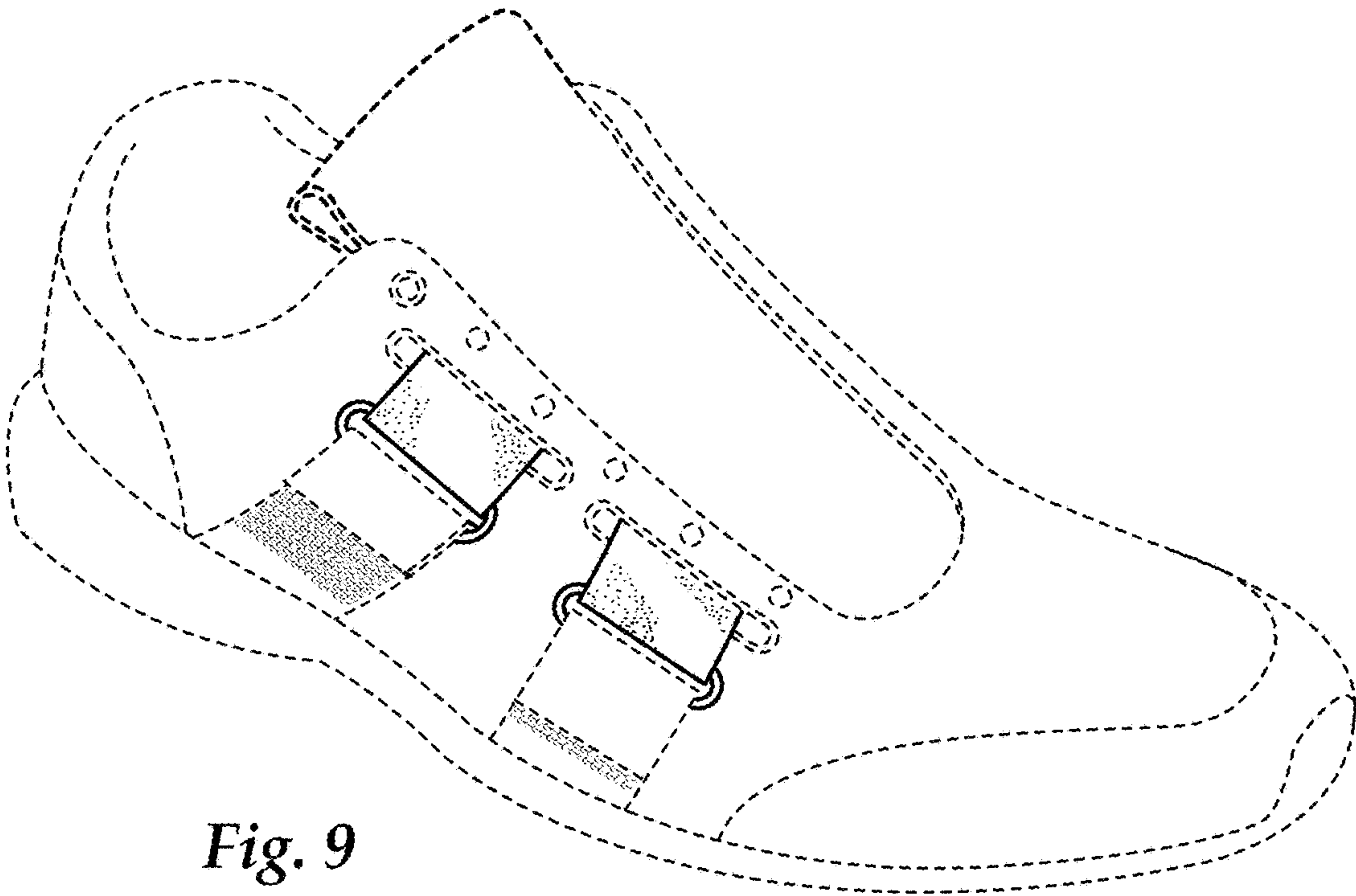


*Fig. 7*

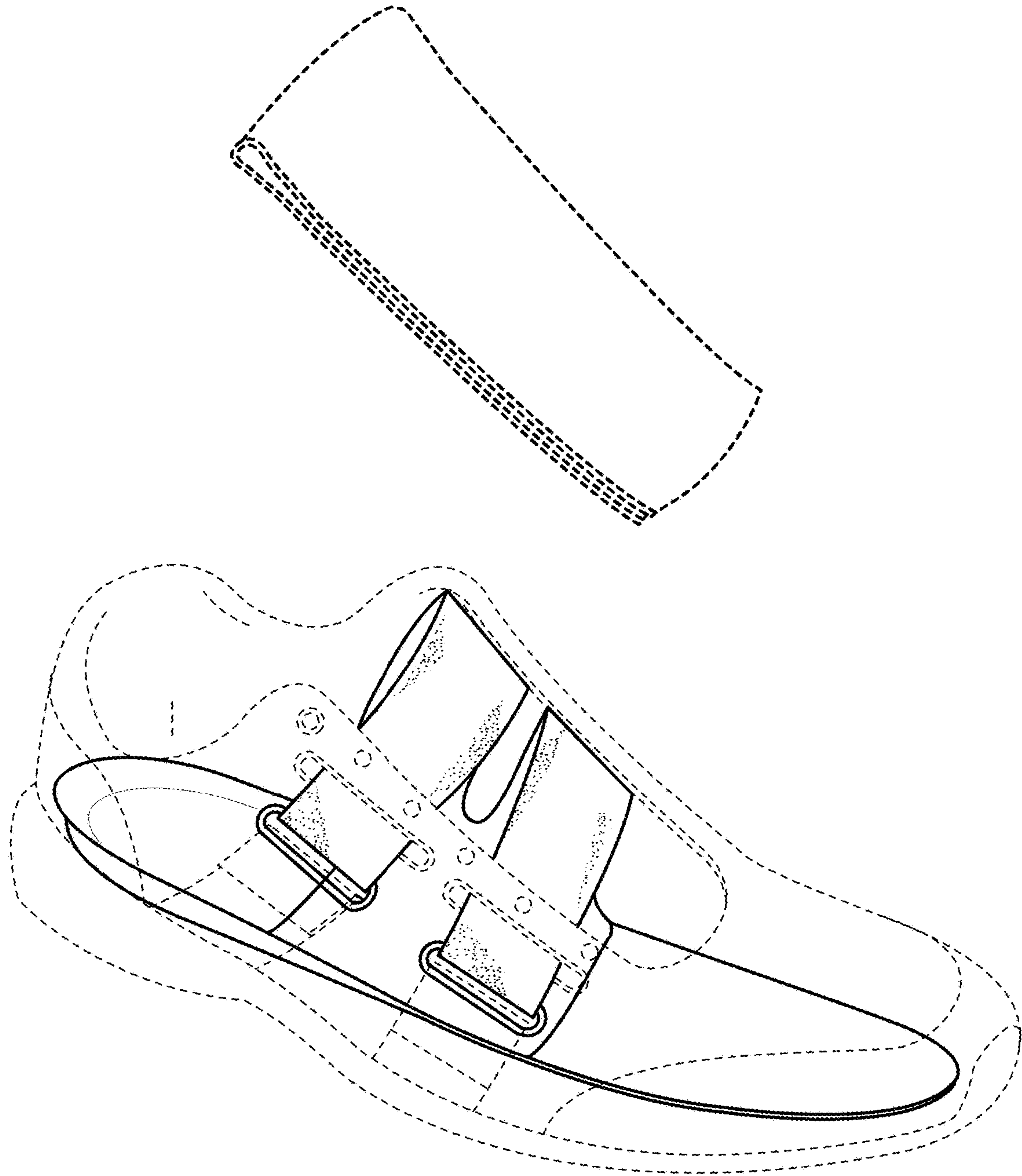




*Fig. 8*



*Fig. 9*



*Fig. 10*