



US00D790825S

(12) **United States Design Patent**
Coleman

(10) **Patent No.:** **US D790,825 S**
(45) **Date of Patent:** **** Jul. 4, 2017**

- (54) **PAD**
- (71) Applicant: **DR.'S OWN, INC.**, Carlsbad, CA (US)
- (72) Inventor: **Matthew Coleman**, Highland Park, IL (US)
- (73) Assignee: **DR.'S OWN, INC.**, Carlsbad, CA (US)
- (**) Term: **15 Years**
- (21) Appl. No.: **29/547,963**
- (22) Filed: **Dec. 9, 2015**
- (51) **LOC (10) Cl.** **02-04**
- (52) **U.S. Cl.**
USPC **D2/961**
- (58) **Field of Classification Search**
USPC D2/896, 946, 947, 949, 961, 968, 976
CPC A43B 1/00; A43B 3/00; A43B 7/00; A43B 7/14; A43B 7/1405; A43B 7/141; A43B 7/142; A43B 7/1415; A43B 7/1425; A43B 7/143; A43B 7/1435; A43B 7/144; A43B 7/1445; A43B 7/145; A43B 7/1455; A43B 7/146; A43B 7/1465; A43B 7/1475; A43B 7/149; A43B 7/28; A43B 7/30; A43B 7/32; A43B 13/00; A43B 13/02; A43B 13/023; A43B 13/04; A43B 13/14; A43B 13/18; A43B 13/181; A43B 13/186; A43B 13/187; A43B 13/188; A43B 13/40
See application file for complete search history.

(56) **References Cited**

U.S. PATENT DOCUMENTS

- 2,050,210 A * 8/1936 Griffin A43B 7/14 36/145
- 2,268,777 A * 1/1942 Scholl A61F 13/02 128/894
- 2,475,417 A * 7/1949 Wysowski A43B 7/1445 36/145

- 2,878,593 A * 3/1959 Lockridge A43B 7/14 36/169
- 2,904,814 A * 9/1959 Scholl A45D 33/34 15/244.1
- 2,959,875 A * 11/1960 Frese, Jr. A41B 11/008 36/180
- D297,381 S * 8/1988 Sugiyama D2/961
- D297,980 S * 10/1988 Sugiyama D2/961
- D300,085 S * 3/1989 Ito D2/961
- D351,719 S * 10/1994 Piotrowicz D2/961
- D380,290 S * 7/1997 Nakagawa D2/961
- D384,797 S * 10/1997 Nakagawa D2/961
- D397,238 S * 8/1998 Lozano D2/961
- 6,182,380 B1 2/2001 Liley
- 6,212,723 B1 4/2001 Rothbart
- D531,790 S * 11/2006 Wurzburg D2/961
- D570,488 S * 6/2008 Kirksey D24/189
- D607,194 S * 1/2010 Zagula D2/961
- 7,832,119 B2 11/2010 Gilmore

(Continued)

Primary Examiner — Elizabeth J Oswecki

(74) *Attorney, Agent, or Firm* — Renner, Kenner, Greive, Bobak, Taylor & Weber

(57) **CLAIM**

The ornamental design for a pad, as shown and described.

DESCRIPTION

FIG. 1 is a top, rear, left side perspective view of a pad showing my new design, shown in a used condition attached to the bottom of an insole shown in broken lines for the left foot;

FIG. 2 is a top plan view thereof;

FIG. 3 is a bottom plan view thereof;

FIG. 4 is a right side elevational view thereof;

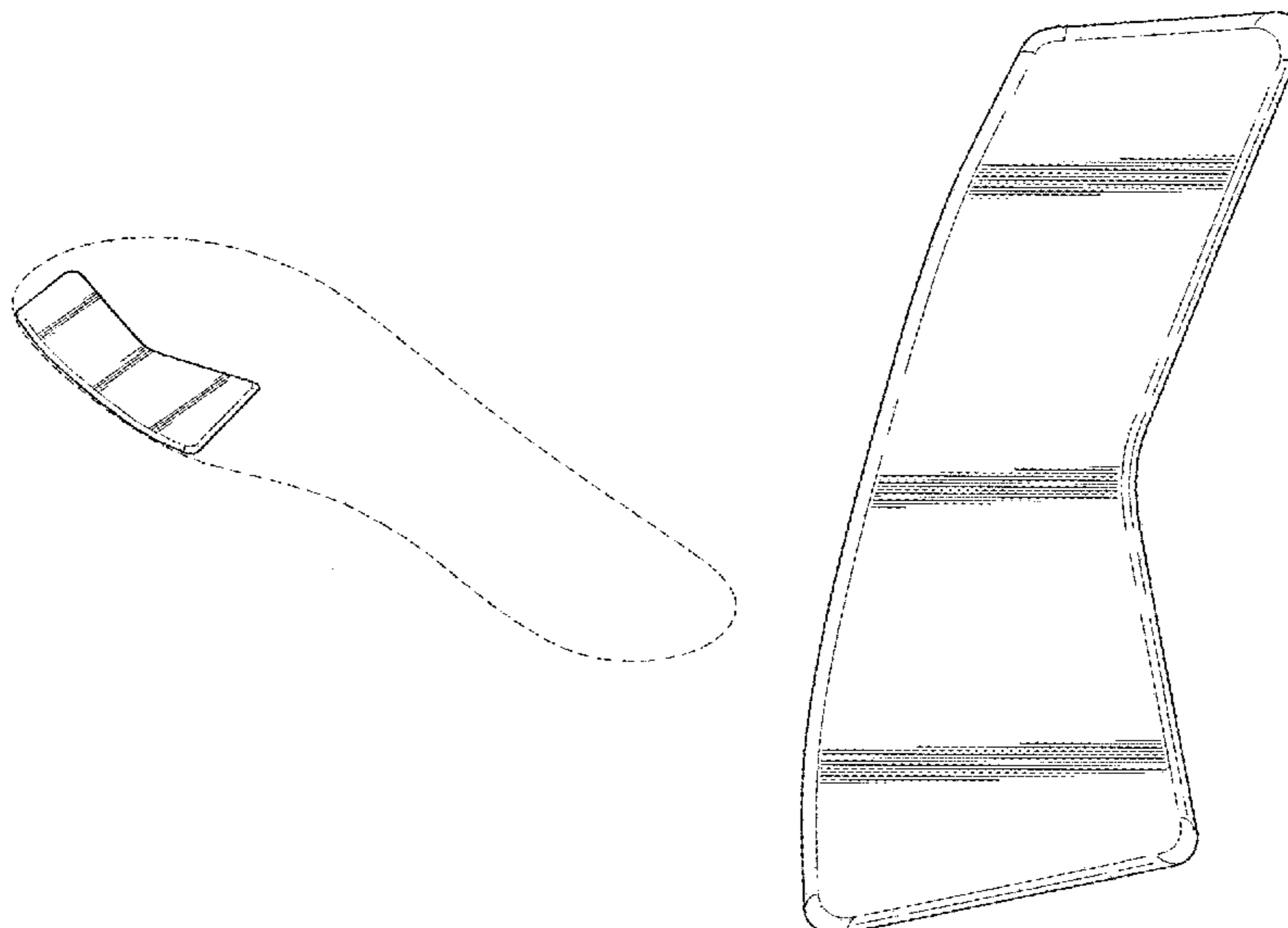
FIG. 5 is a left side elevational view thereof;

FIG. 6 is a rear elevational view thereof; and,

FIG. 7 is a front elevational view thereof.

The broken lines shown in FIG. 1 of an insole form no part of the claimed design.

1 Claim, 5 Drawing Sheets



(56)

References Cited

U.S. PATENT DOCUMENTS

D632,881	S *	2/2011	Rosenberg	D2/961
D655,076	S *	3/2012	Rosenberg	D2/961
D674,587	S *	1/2013	Grainger	D2/961
8,356,427	B2	1/2013	Svae		
D676,225	S *	2/2013	Liu	D2/961
D696,845	S *	1/2014	Weaver, II	D2/961
D706,940	S *	6/2014	Julian	D24/190
D714,040	S *	9/2014	Lo	D2/961
D738,602	S *	9/2015	Qin	D2/961
2006/0086005	A1 *	4/2006	Yerian	A43B 1/0027 36/71
2010/0263232	A1 *	10/2010	Smirman	A43B 5/1641 36/43

* cited by examiner

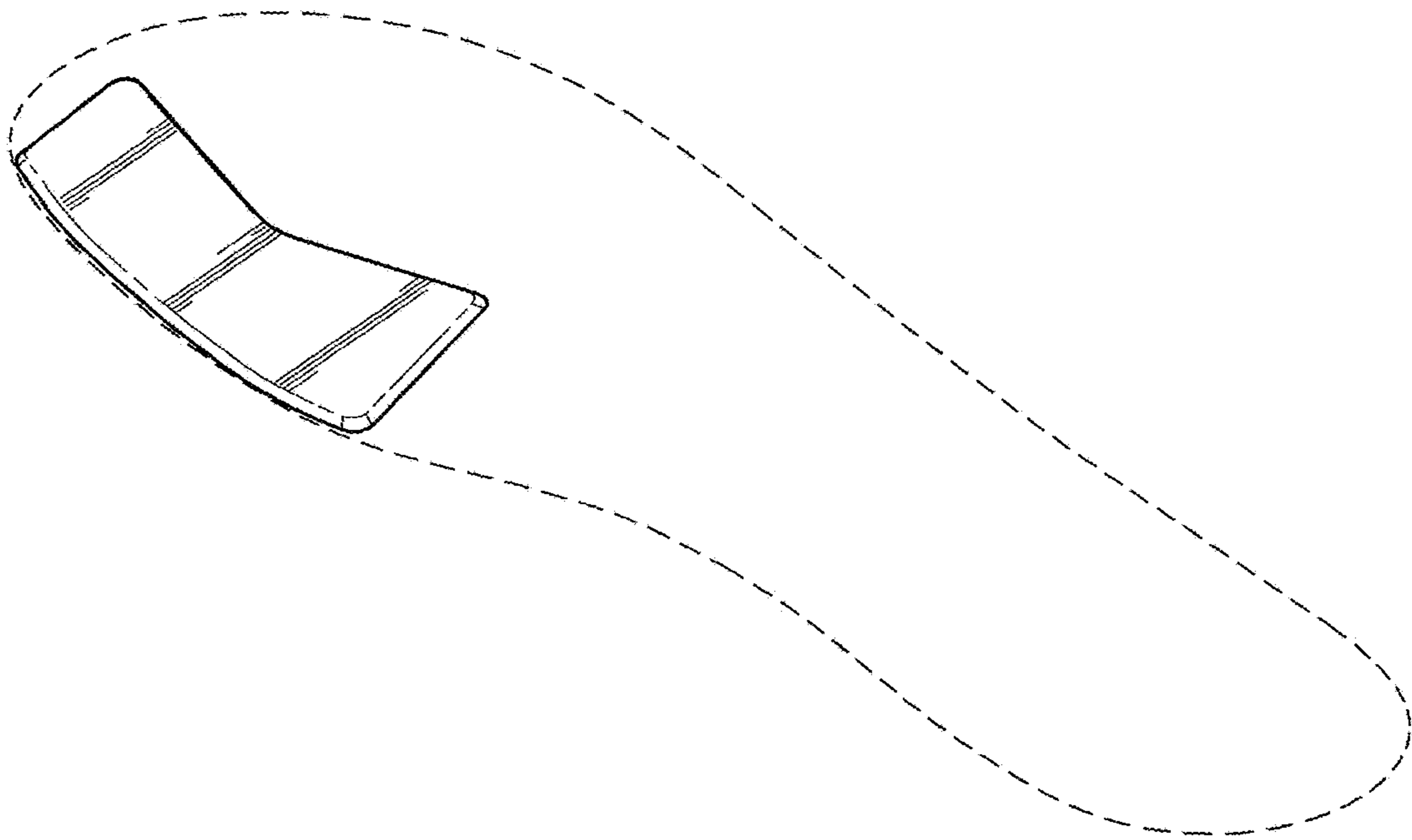


FIG. 1

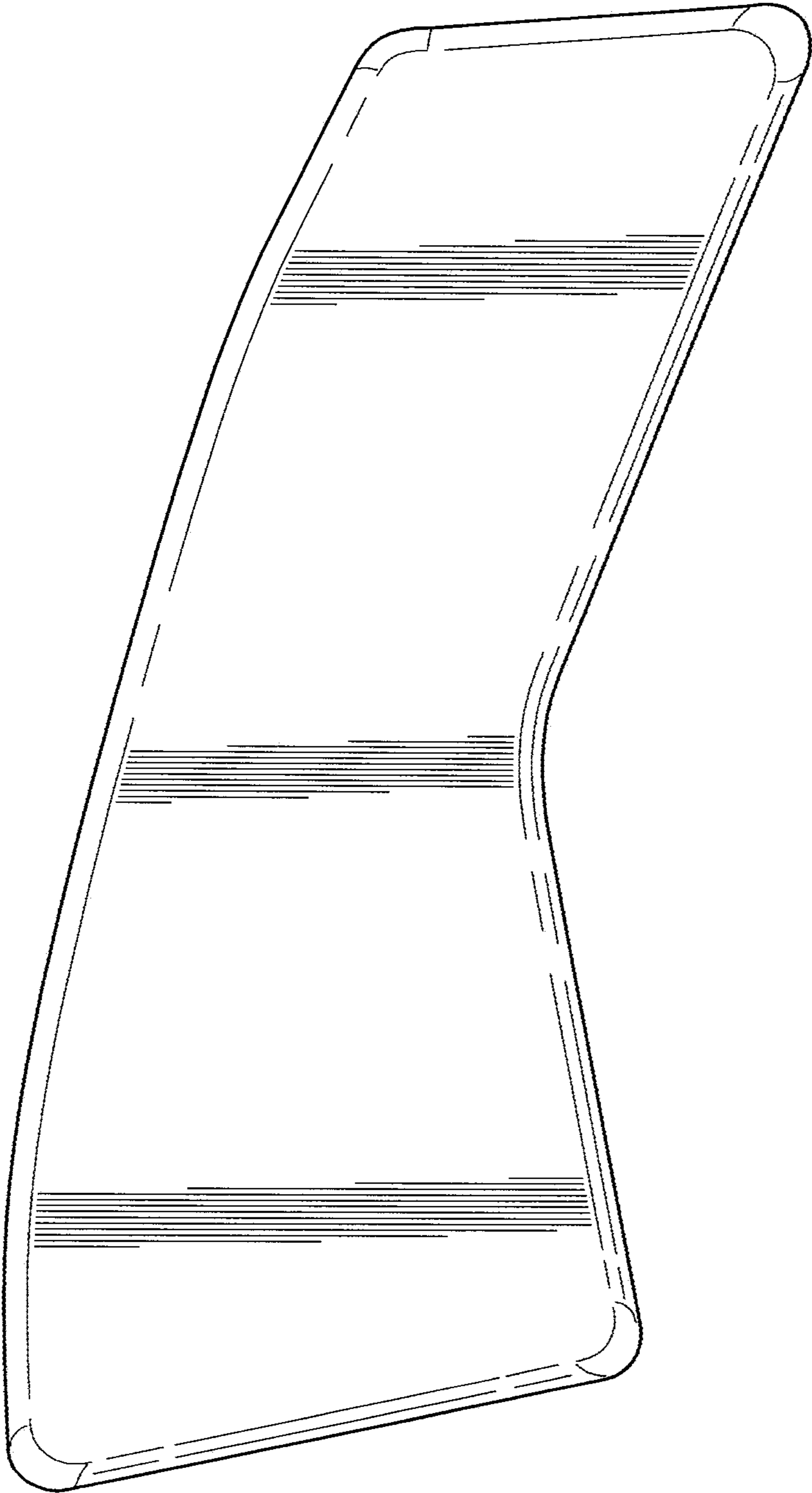


FIG. 2

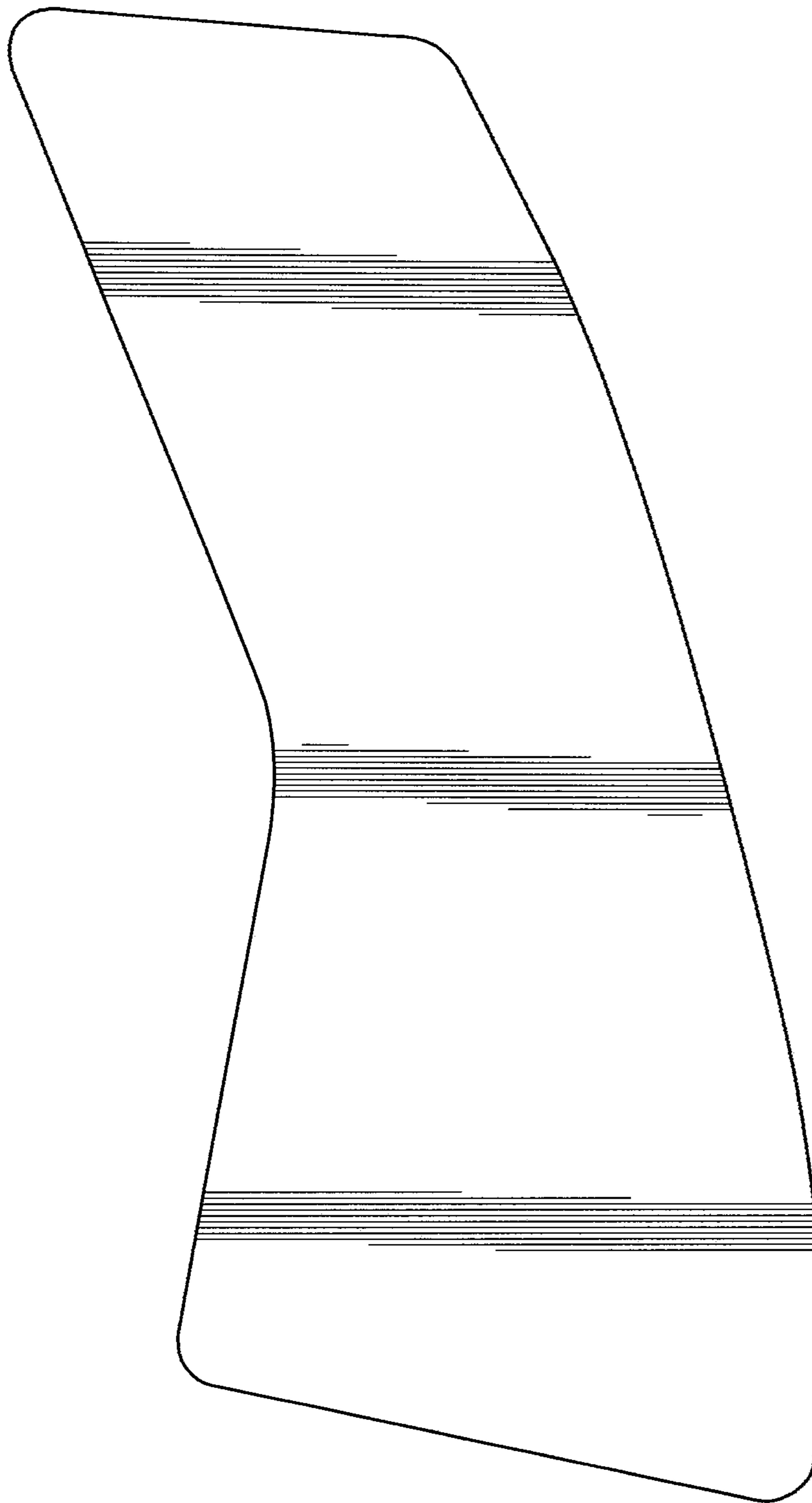


FIG. 3



FIG. 4



FIG. 5



FIG. 6

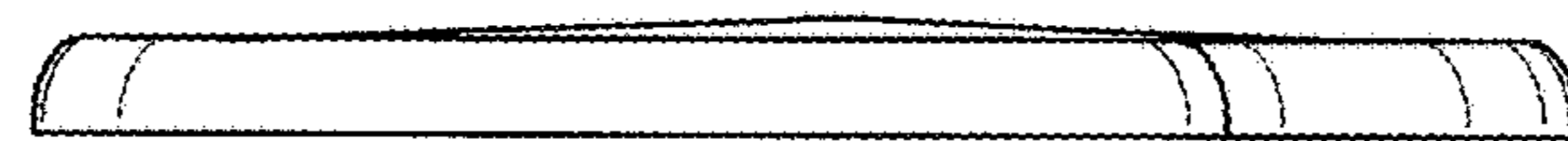


FIG. 7