



US00D790817S

(12) **United States Design Patent**
Perkins et al.

(10) **Patent No.:** **US D790,817 S**

(45) **Date of Patent:** **** Jul. 4, 2017**

- (54) **SHOE BASE**
- (71) Applicant: **CAT PERKINS INC.**, New York, NY (US)
- (72) Inventors: **Deborah Hower Perkins**, New York, NY (US); **Catherine Levene**, New York, NY (US); **Yu Tung Lislle Yeung**, Brooklyn, NY (US)
- (73) Assignee: **Cat Perkins Inc.**, New York, NY (US)
- (**) Term: **15 Years**
- (21) Appl. No.: **29/527,266**
- (22) Filed: **May 18, 2015**
- (51) **LOC (10) Cl.** **02-04**
- (52) **U.S. Cl.**
USPC **D2/947**
- (58) **Field of Classification Search**
USPC D2/902, 906, 908, 916, 918, 925, D2/946-962, 977; 36/3 B, 22 R, 24.5, 36/25 R, 28, 32 R, 34 R, 59 C, 67 A, 103
CPC A43B 13/00; A43B 13/02; A43B 13/023; A43B 13/026; A43B 13/04; A43B 13/08; A43B 13/10; A43B 13/12; A43B 13/14; A43B 13/141; A43B 13/143; A43B 13/16; A43B 13/18; A43B 13/181; A43B 13/187; A43B 13/189; A43B 13/20; A43B 13/22; A43B 13/223; A43B 13/24; A43B 13/28; A43B 13/30; A43B 13/32; A43B 13/34; A43B 13/36
See application file for complete search history.

- 4,888,887 A * 12/1989 Solow A43B 7/082 36/147
- D367,954 S * 3/1996 Dion D2/946
- D384,495 S * 10/1997 Watson D2/916
- D430,966 S * 9/2000 Brady D2/902
- 6,691,360 B2 * 2/2004 Mukherjee A43B 3/0078 12/142 C
- 6,772,539 B1 * 8/2004 Tai A43B 3/103 36/11.5
- D525,421 S * 7/2006 Choi D2/977
- D545,034 S * 6/2007 Amado D2/927
- 7,571,555 B1 * 8/2009 Powell, Sr. A43B 13/206 36/29
- D605,382 S * 12/2009 Lawler D2/925
- D625,097 S * 10/2010 Portzline D2/946
- D625,496 S * 10/2010 McClaskie D2/951
- D637,798 S * 5/2011 Della Valle D2/908
- D637,801 S * 5/2011 Jankowski D2/925
- D637,802 S * 5/2011 Jankowski D2/925
- D644,006 S * 8/2011 Tran D2/916
- D654,257 S * 2/2012 McClaskie D2/950
- D654,675 S * 2/2012 McClaskie D2/950

(Continued)

Primary Examiner — T. Chase Nelson

(74) *Attorney, Agent, or Firm* — K&L Gates LLP

(57) **CLAIM**

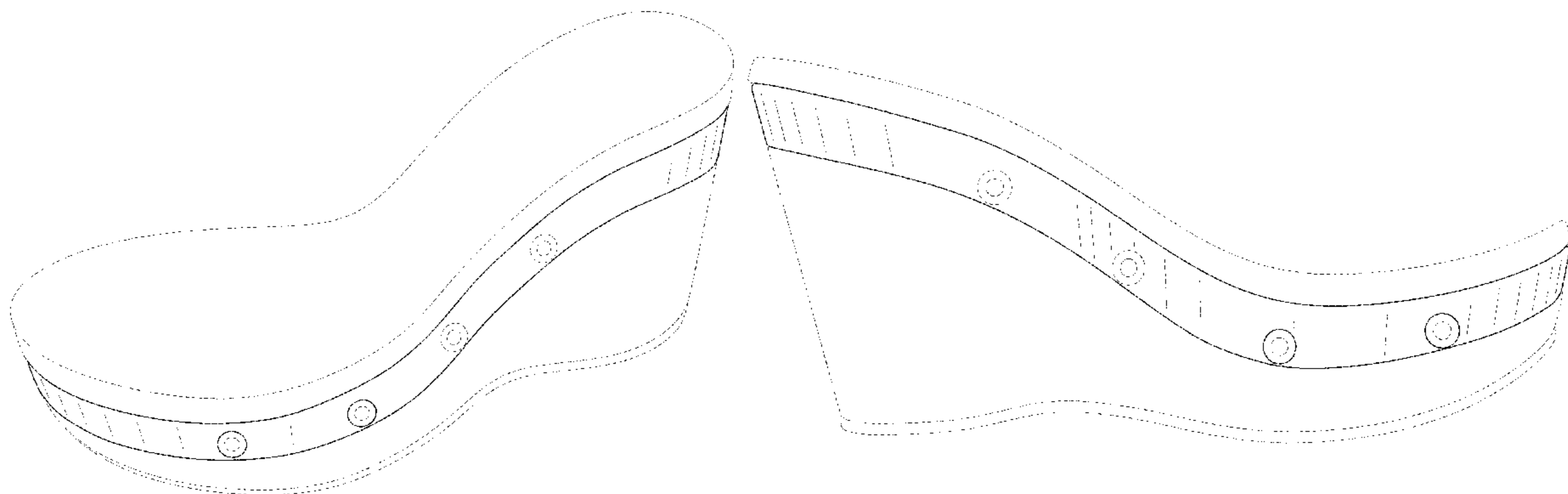
The ornamental design for a shoe base, as shown and described.

DESCRIPTION

FIG. 1 illustrates a top perspective view of an embodiment of a shoe base according to the present disclosure; FIG. 2 illustrates a left side elevational view thereof; FIG. 3 illustrates a right side elevational view thereof; FIG. 4 illustrates a front side elevational view thereof; FIG. 5 illustrates a back side elevational view thereof; FIG. 6 illustrates a top plan view thereof; and, FIG. 7 illustrates a bottom plan view thereof. The broken lines depict portions of the shoe base that form no part of the claimed design.

1 Claim, 6 Drawing Sheets

- (56) **References Cited**
U.S. PATENT DOCUMENTS
D246,337 S * 11/1977 Niarhos D2/918
D248,192 S * 6/1978 Stevenson D2/908



(56)

References Cited

U.S. PATENT DOCUMENTS

D662,295	S *	6/2012	Raysse	D2/951
D680,312	S *	4/2013	Raysse	D2/951
D683,941	S *	6/2013	Raysse	D2/951
D685,984	S *	7/2013	Raysse	D2/951
D698,135	S *	1/2014	McClaskie	D2/948
2004/0148798	A1 *	8/2004	Wu	A43B 7/32 36/12
2009/0151196	A1 *	6/2009	Schindler	A43B 13/20 36/29
2009/0293309	A1 *	12/2009	Keating	A43B 5/10 36/88
2011/0131832	A1 *	6/2011	Brandt	A43B 13/20 36/29
2012/0227291	A1 *	9/2012	Rosenbaum	A43B 7/1425 36/34 R
2015/0040434	A1 *	2/2015	Perkins	A43B 1/0054 36/101
2016/0120258	A1 *	5/2016	Azulay	A43B 1/06 12/146 B

* cited by examiner

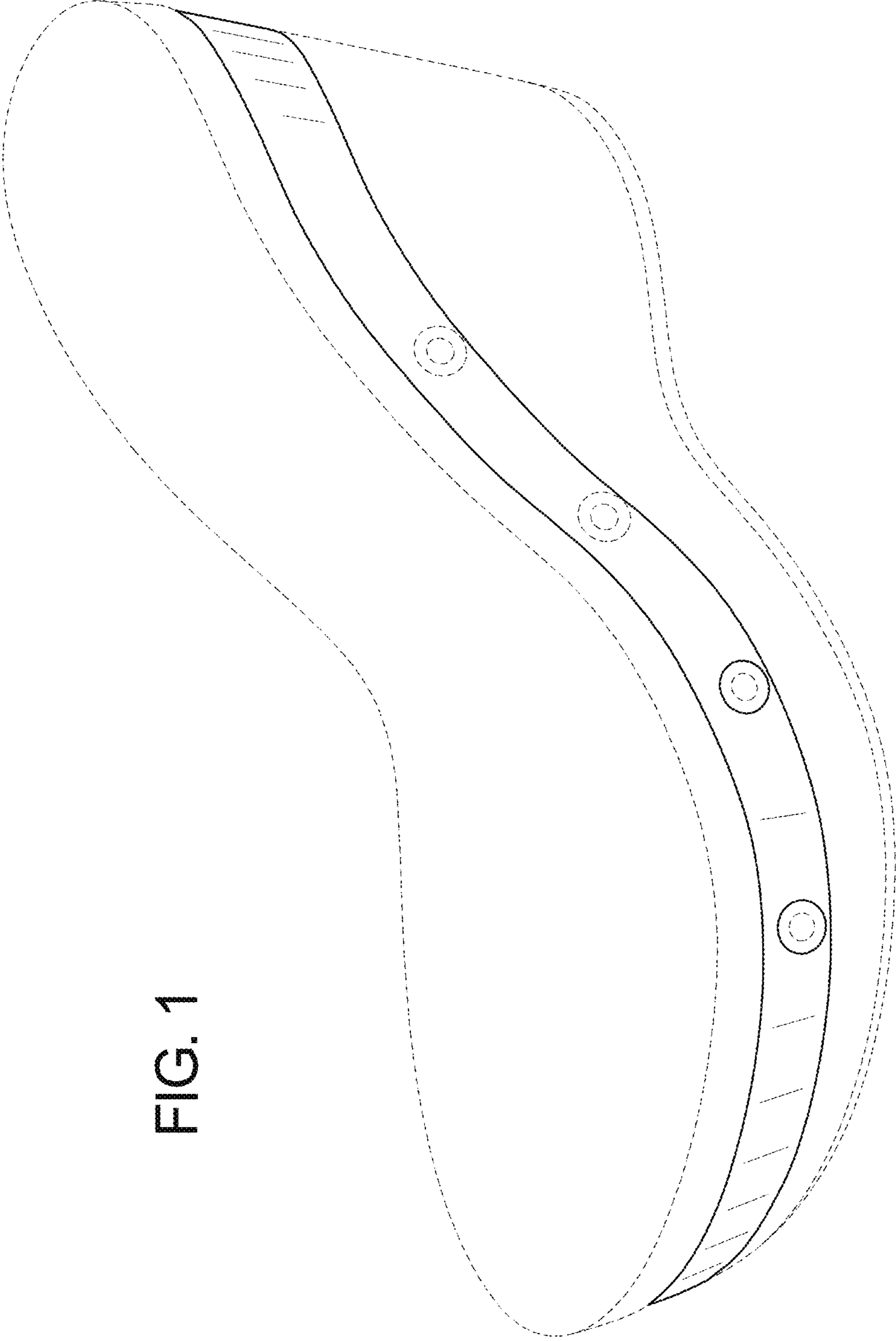


FIG. 1

FIG. 2

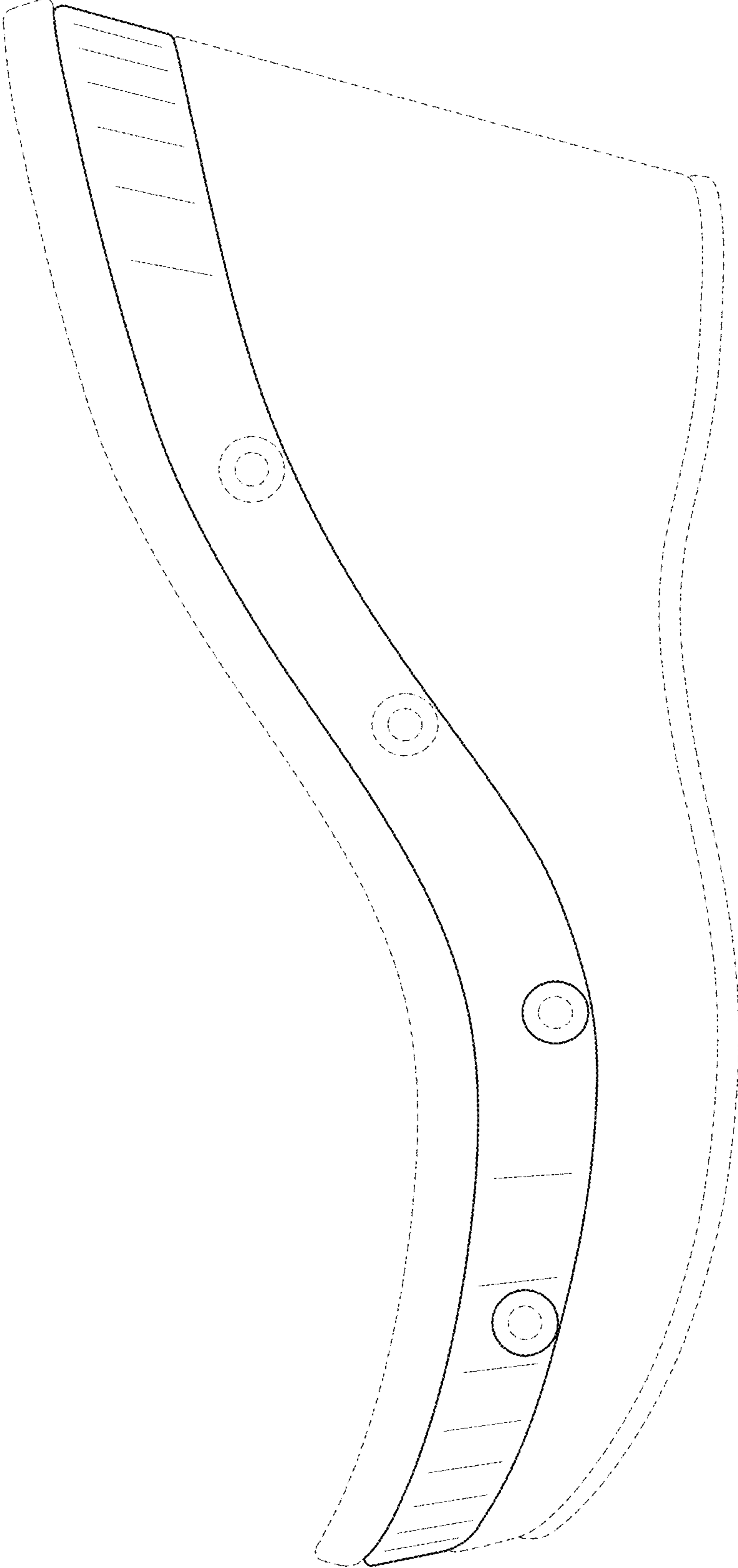


FIG. 3

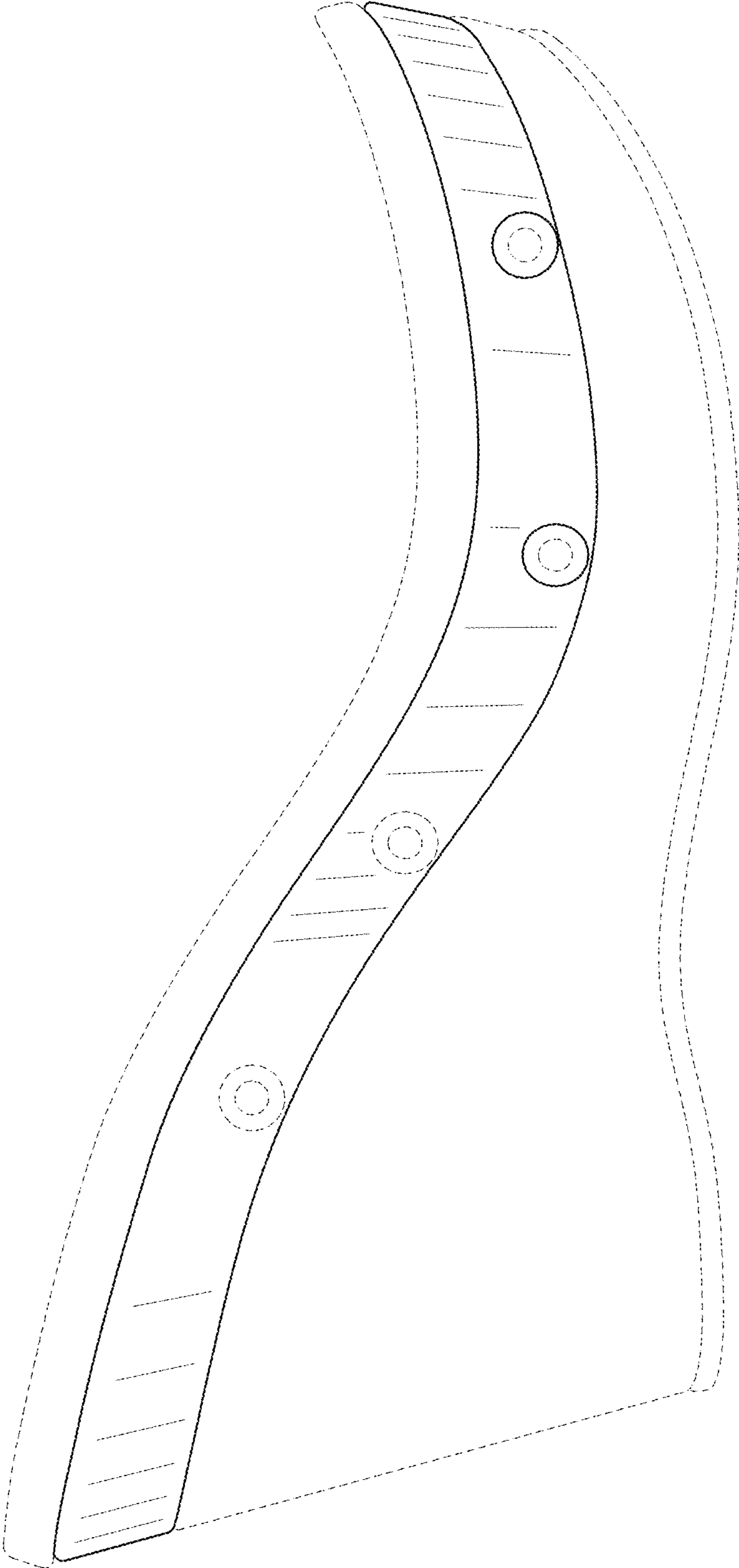


FIG. 5

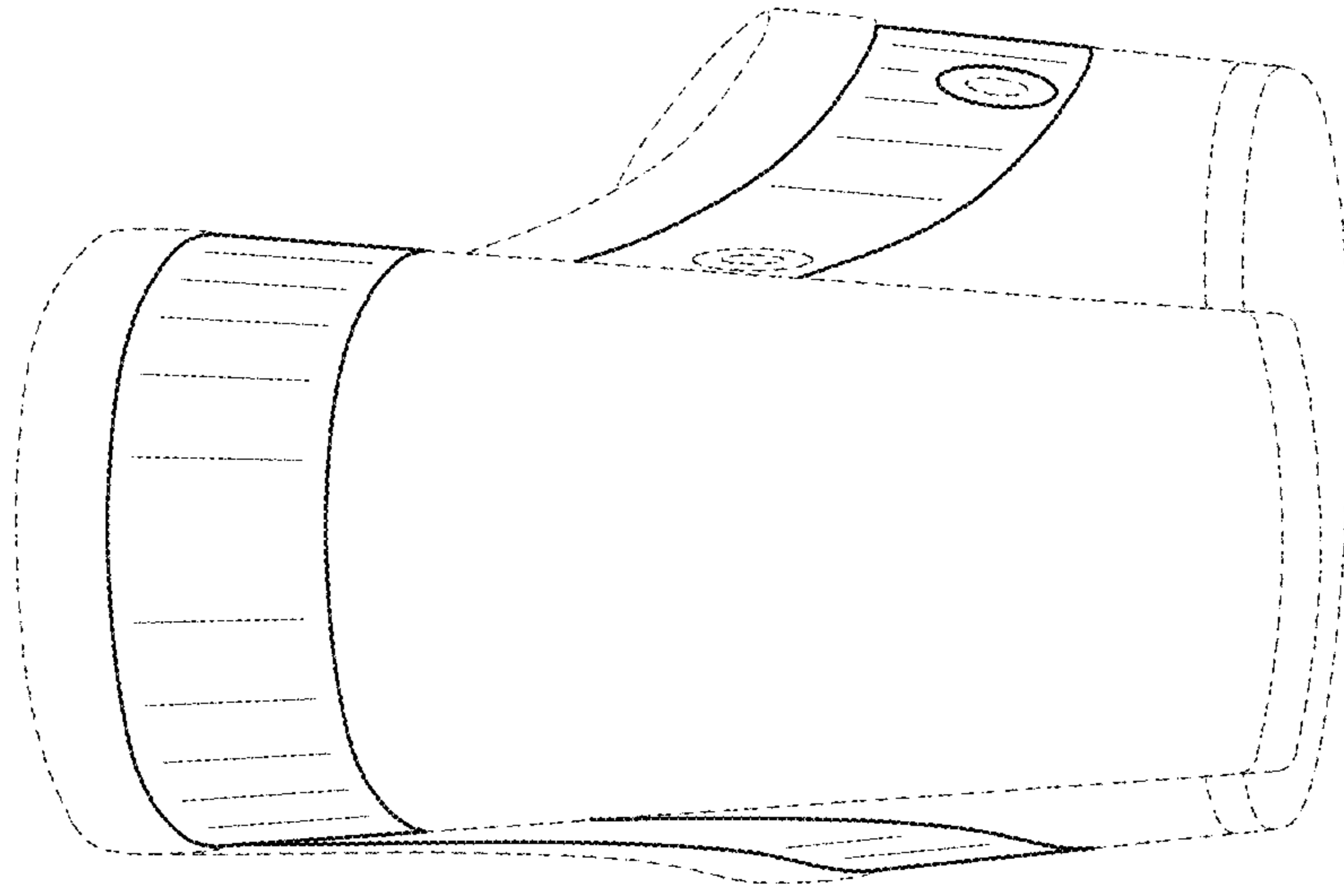


FIG. 4

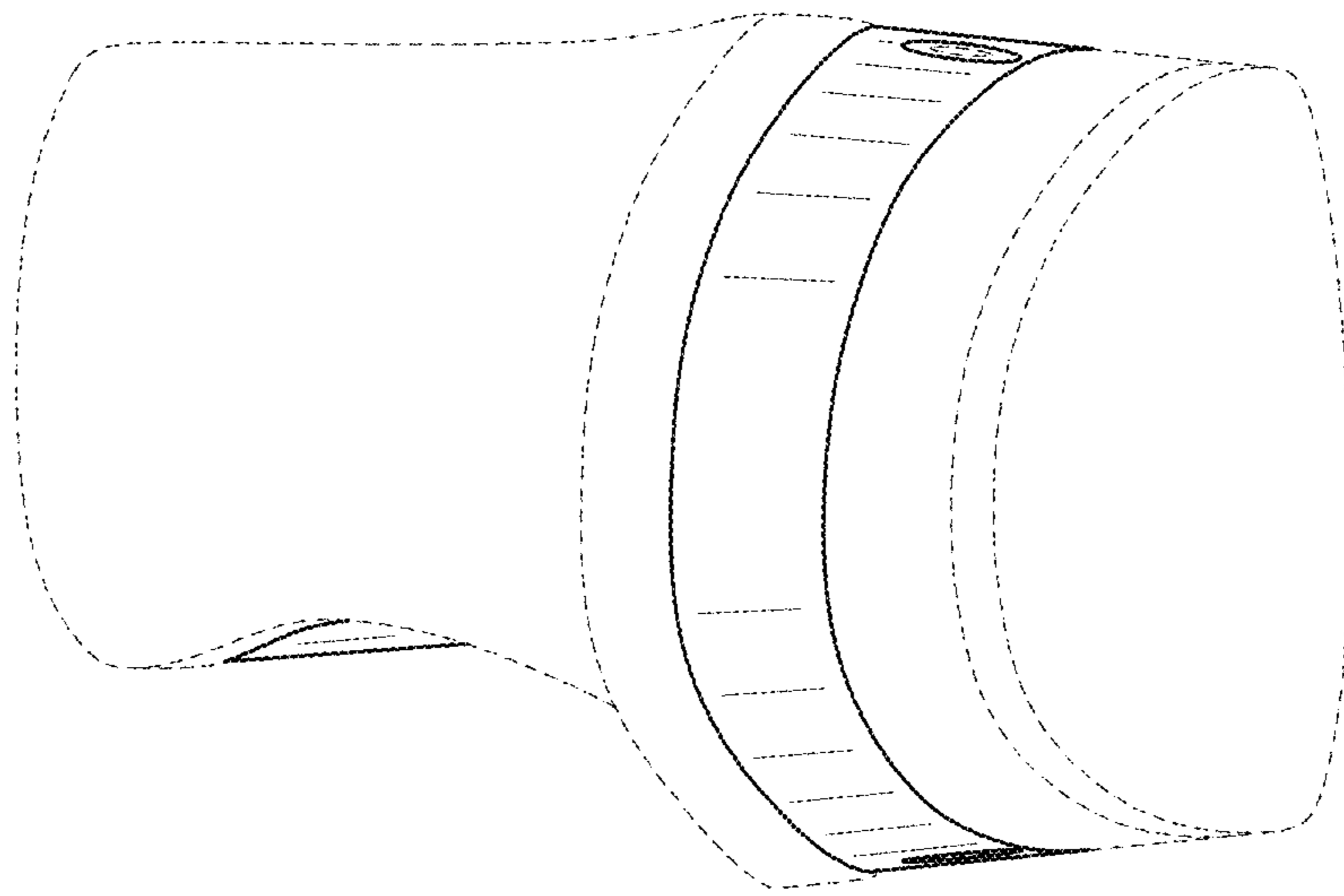


FIG. 6

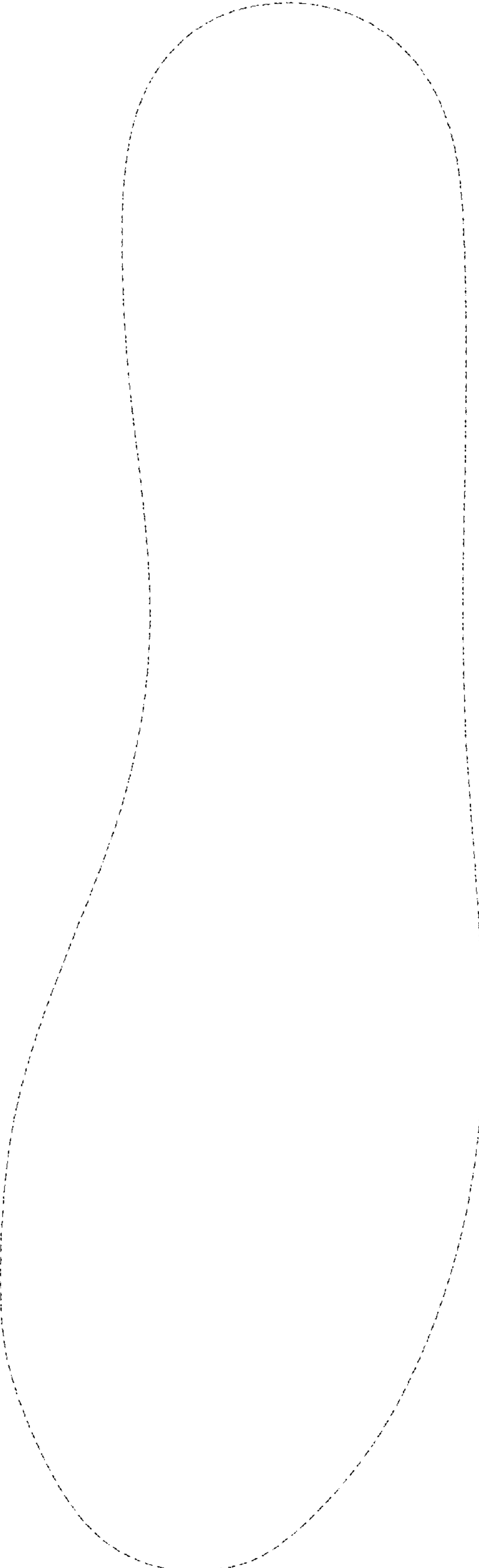


FIG. 7

