



US00D790810S

(12) **United States Design Patent** (10) **Patent No.:** **US D790,810 S**
Newman (45) **Date of Patent:** **** Jul. 4, 2017**

(54) **INTEGRATED FRONT AND BACK SHOULDER PACK FOR STUDENT AND RELATED PERSONS**

Primary Examiner — Catheri Oliver-Garcia
(74) *Attorney, Agent, or Firm* — Paul M. Denk

(71) Applicant: **Lyle J. Newman**, Arnold, MO (US)

(72) Inventor: **Lyle J. Newman**, Arnold, MO (US)

(**) Term: **15 Years**

(21) Appl. No.: **29/505,546**

(22) Filed: **Dec. 17, 2015**

(51) **LOC (10) Cl.** **02-02**

(52) **U.S. Cl.**
USPC **D2/830**

(58) **Field of Classification Search**
USPC D2/828, 830, 829, 836, 839; 2/94, 102,
2/119, 247, 920
CPC A41D 13/00; A41D 13/0012; A41D
2400/46; A47D 13/02; A47D 13/025
See application file for complete search history.

(56) **References Cited**

U.S. PATENT DOCUMENTS

D341,920 S	*	12/1993	Besaw	D2/829
D426,937 S	*	6/2000	Auster	D2/829
D429,060 S	*	8/2000	Matthias	D2/829
D496,774 S	*	10/2004	Fields-Hale	D2/830
D536,860 S	*	2/2007	Hoey	D2/829

* cited by examiner

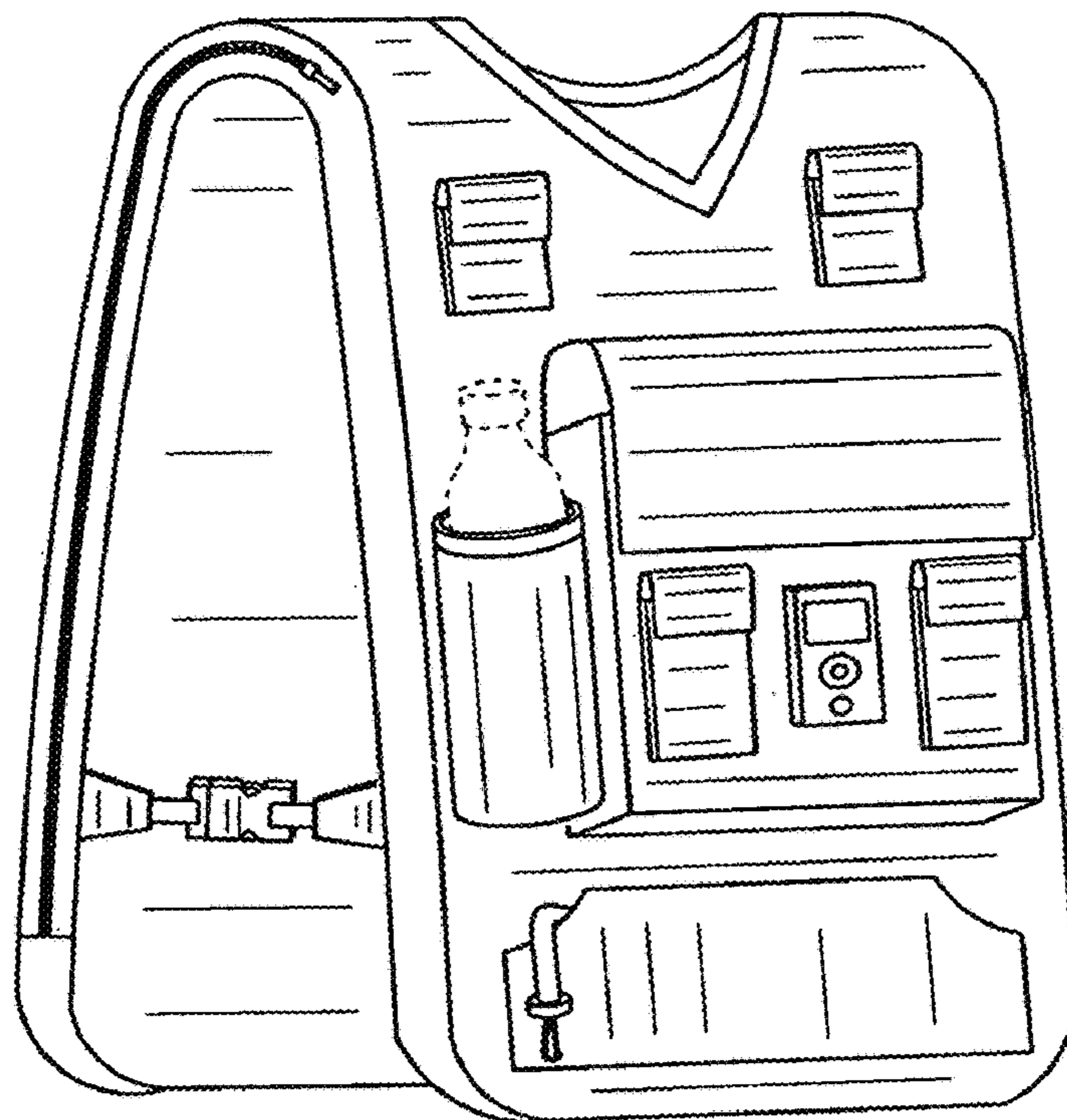
(57) **CLAIM**

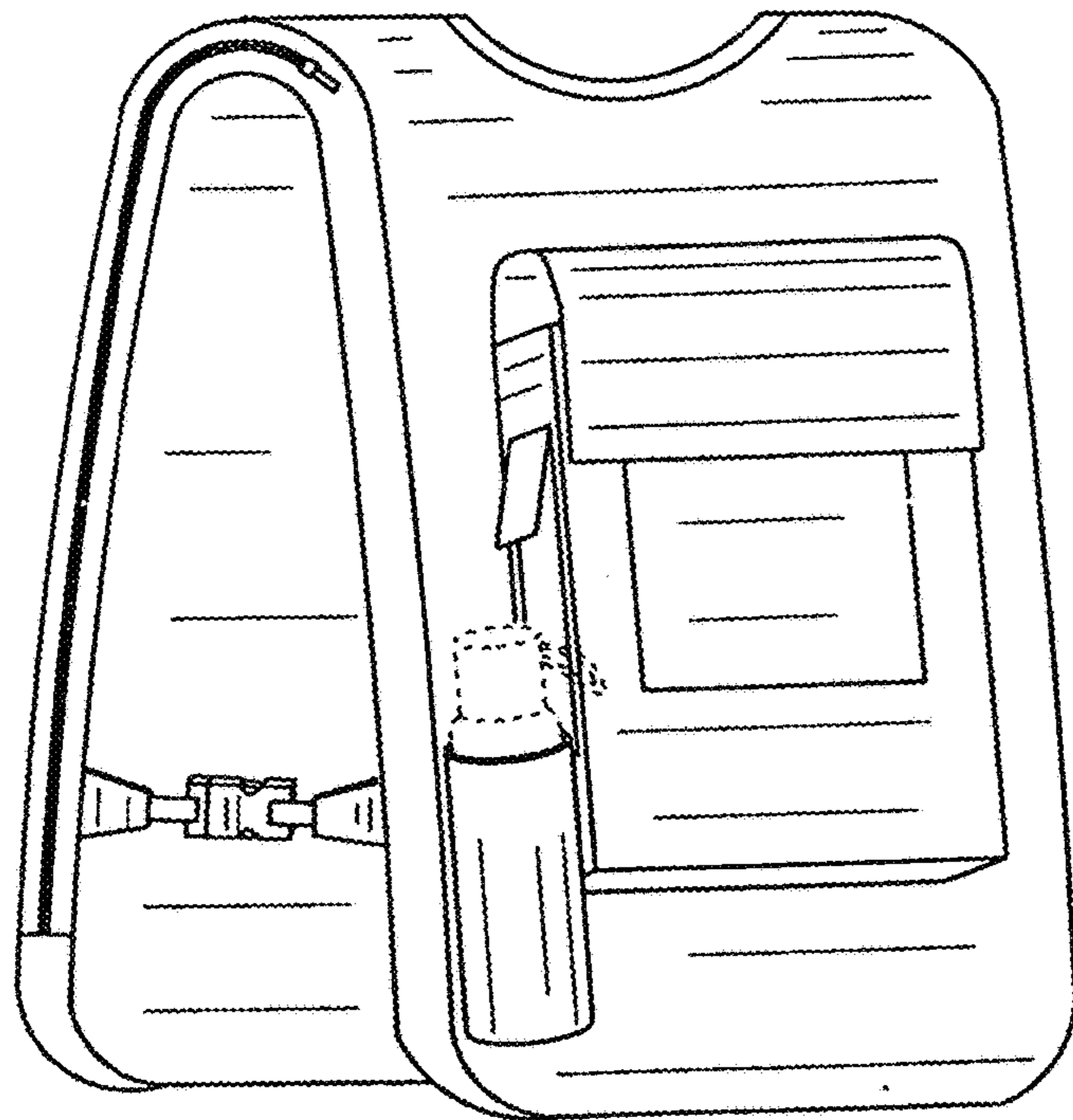
The ornamental design for the integrated front and back shoulder pack for student and related persons, as shown and described.

DESCRIPTION

FIG. 1 is a front isometric view of the integrated front and back shoulder pack for student and related persons, of this invention;
FIG. 2 is a rear isometric view of the integrated front and back shoulder pack of this invention;
FIG. 3 is a front view;
FIG. 4 is a rear view;
FIG. 5 is a left side elevational view;
FIG. 6 is a right side elevational view;
FIG. 7 is a top view; and,
FIG. 8 is a bottom view thereof.
The broken lines depict environment and are included for the purpose of illustrating only and form no part of the claimed design.

1 Claim, 3 Drawing Sheets





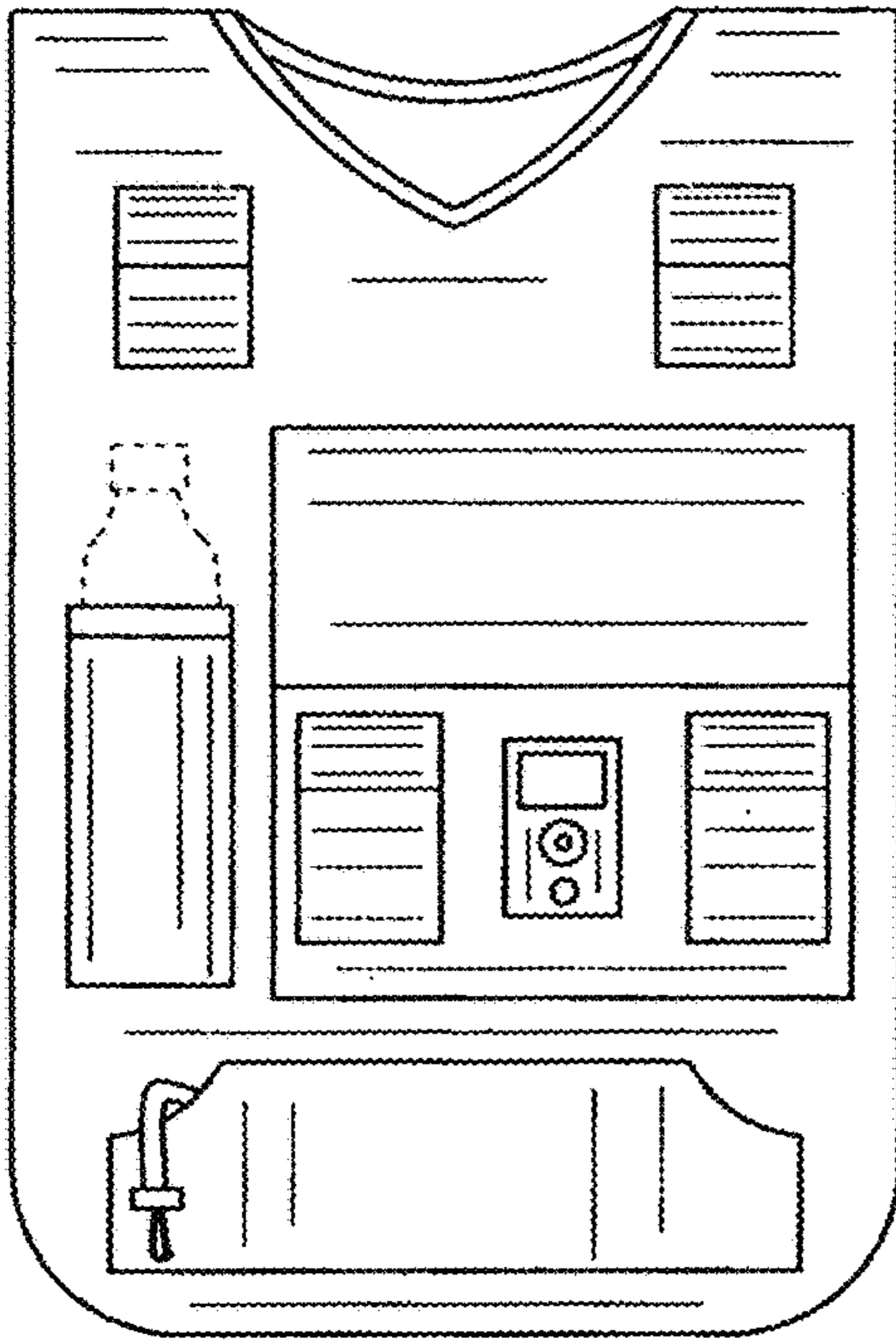


FIG. 3

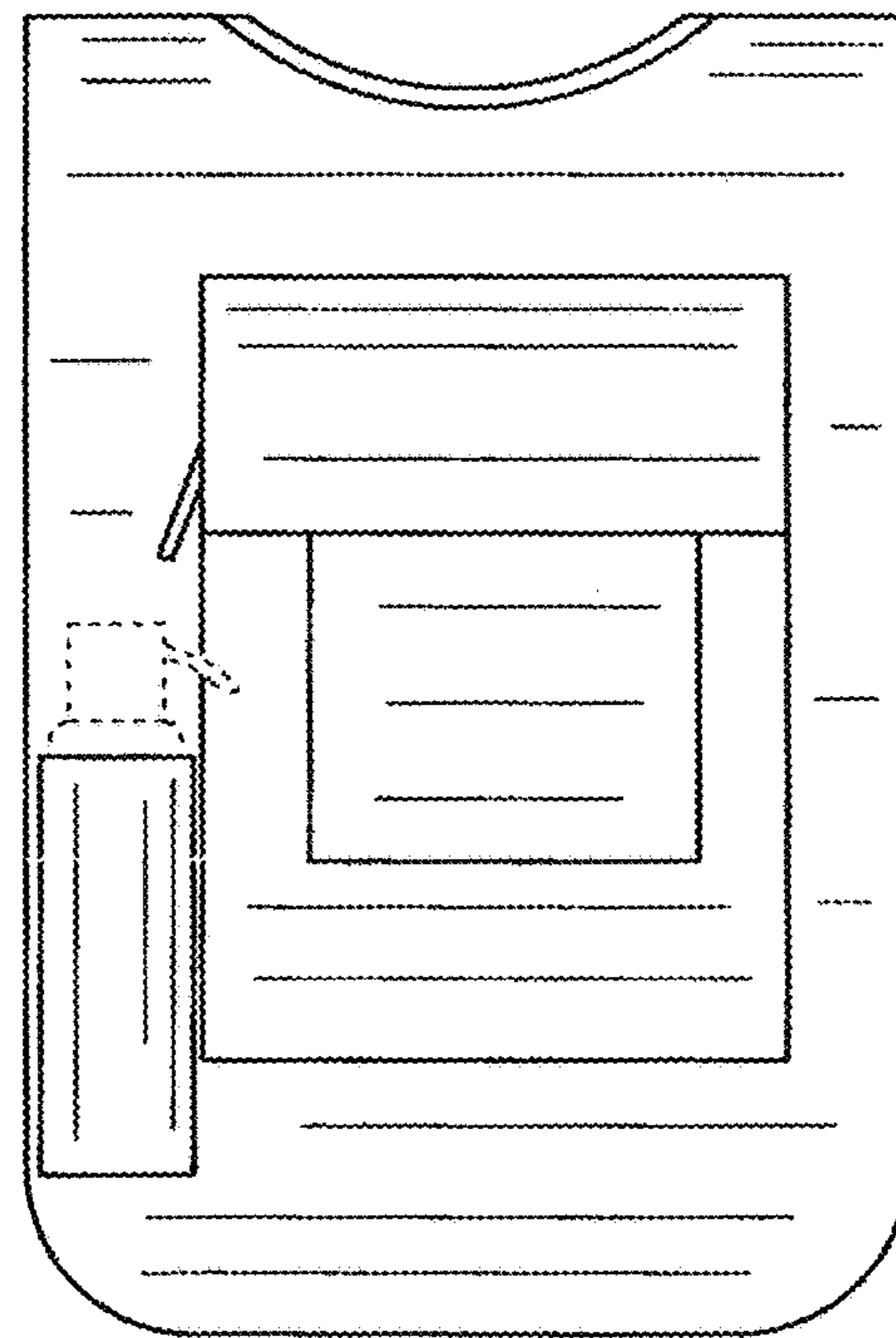


FIG. 4

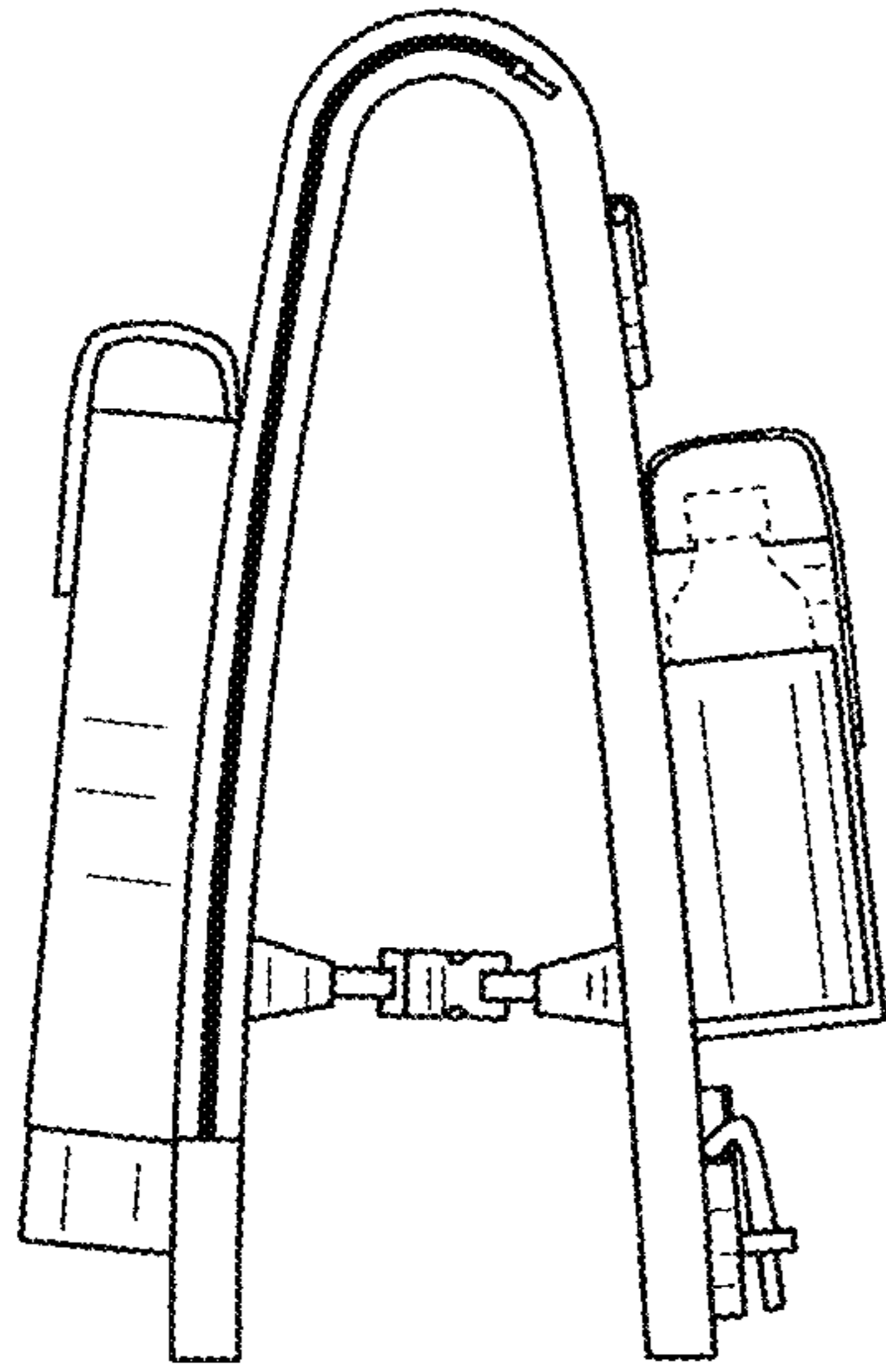


FIG. 5

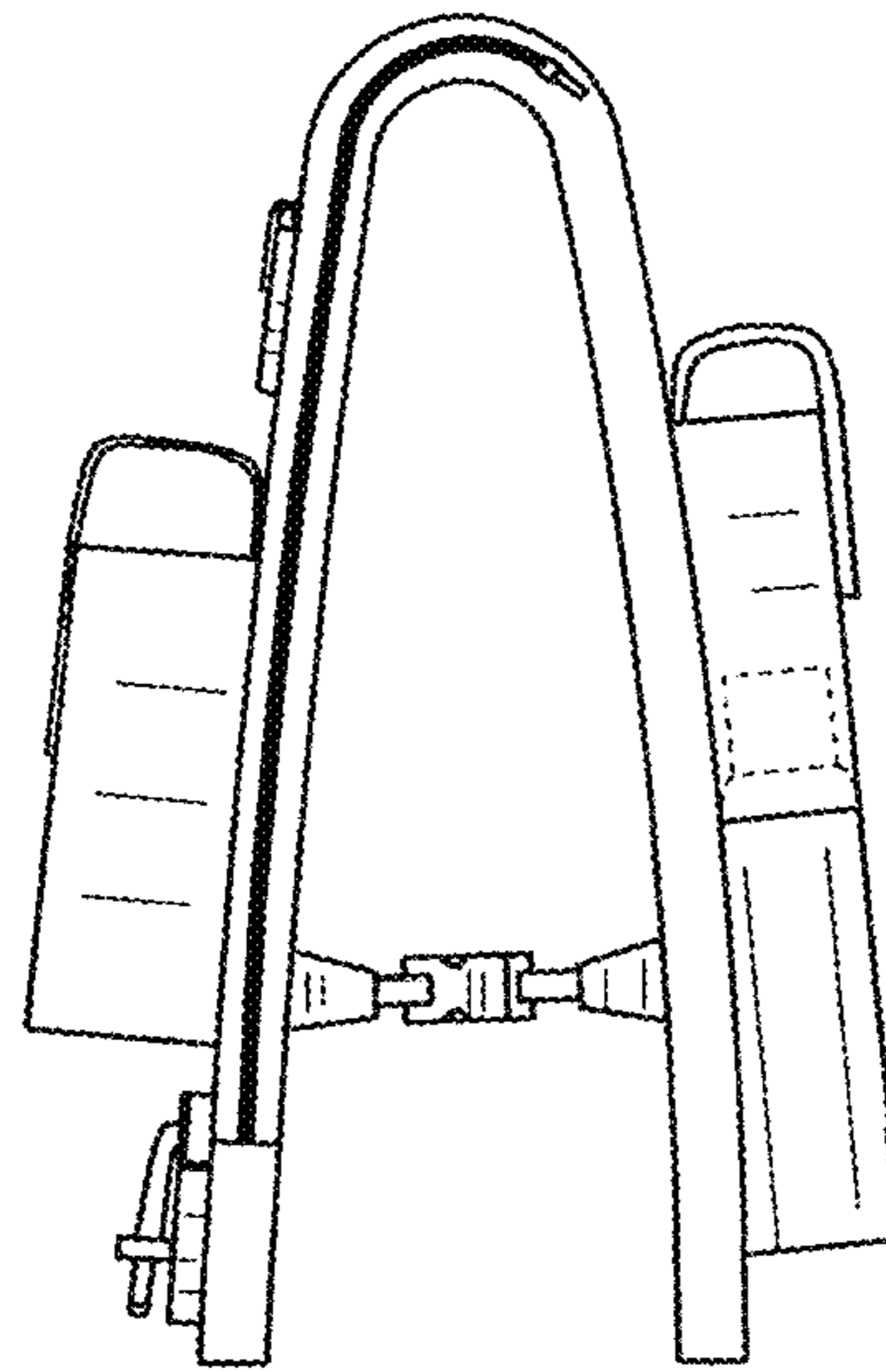


FIG. 6

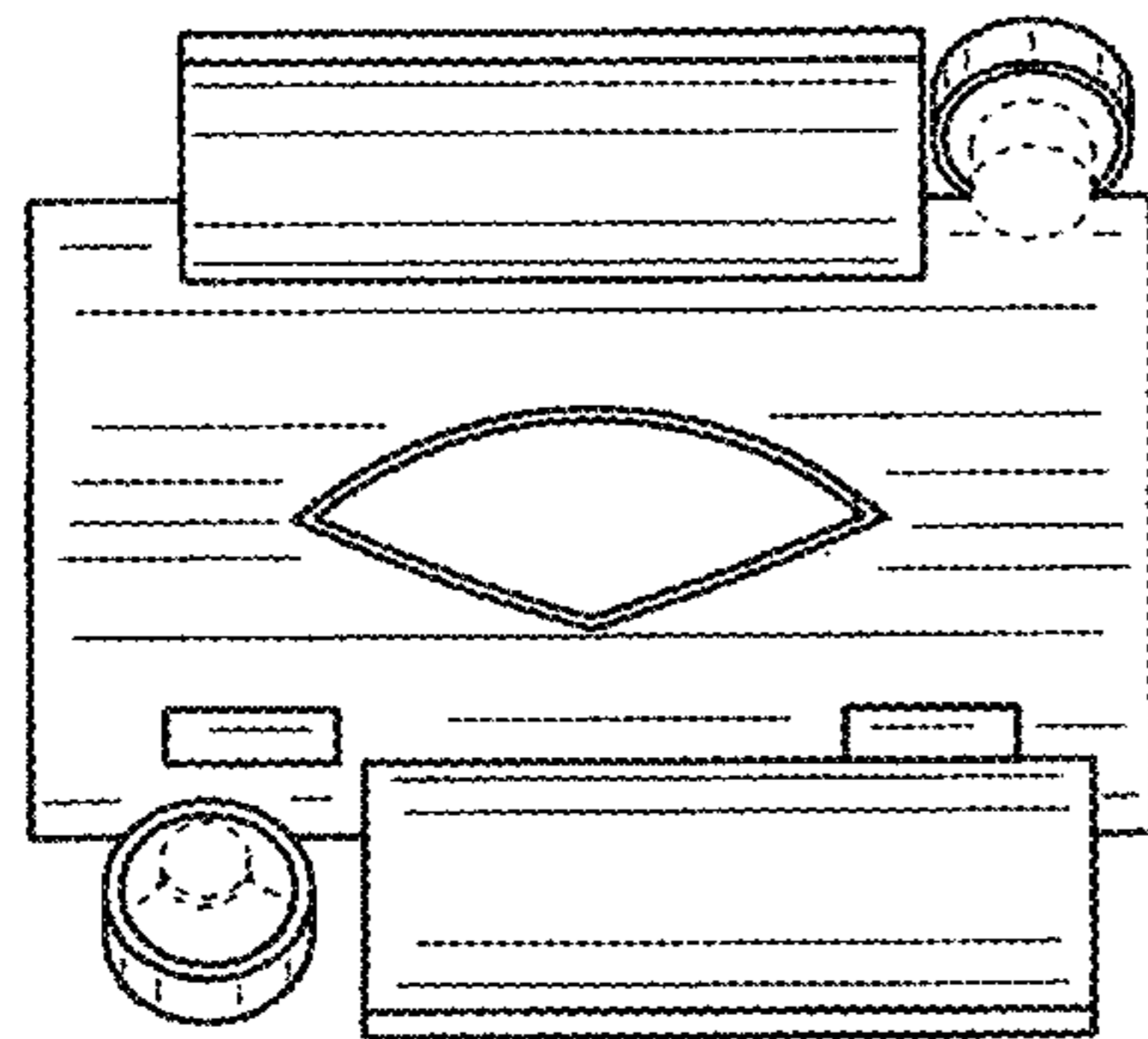


FIG. 7

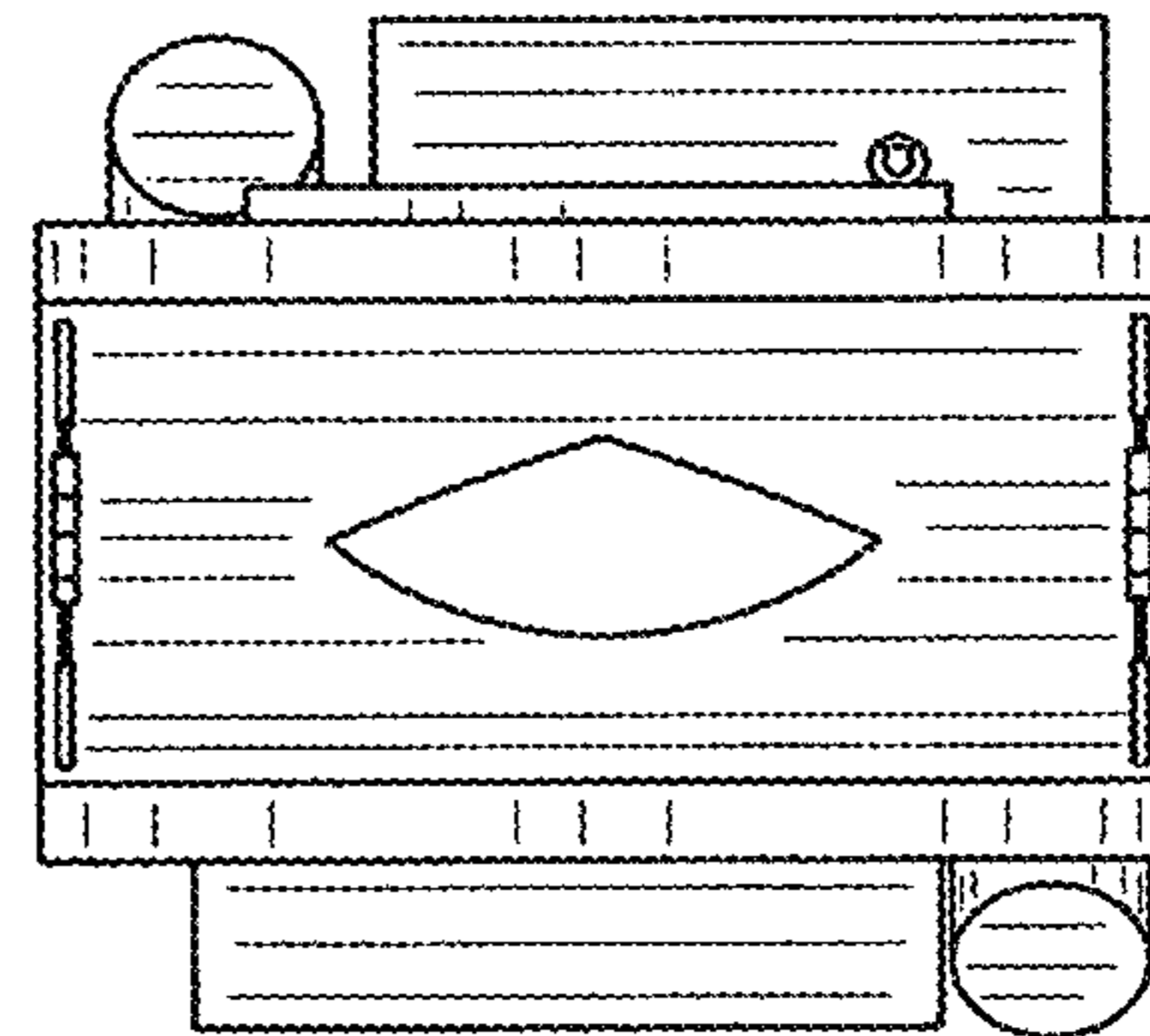


FIG. 8