



US00D790806S

(12) **United States Design Patent**
Grosbøl

(10) **Patent No.:** **US D790,806 S**

(45) **Date of Patent:** **** Jul. 4, 2017**

(54) **JACKET**

(71) Applicant: **MASCOT INTERNATIONAL A/S,**
Silkeborg (DK)

(72) Inventor: **Michael Grosbøl,** Silkeborg (DK)

(73) Assignee: **Mascot International A/S,** Silkeborg
(DK)

(**) Term: **14 Years**

(21) Appl. No.: **29/506,599**

(22) Filed: **Oct. 17, 2014**

(30) **Foreign Application Priority Data**

Apr. 18, 2014 (EM) 002450064-0034

(51) **LOC (10) Cl.** **02-02**

(52) **U.S. Cl.**
USPC **D2/828**

(58) **Field of Classification Search**
USPC D2/728, 739, 750, 829, 831, 828, 830;
D29/100, 101.3, 101.4; 2/85, 93, 94, 108
CPC ... A41D 1/02; A41D 1/04; A41D 3/00; A41D
3/02; A41D 13/12; A41D 13/1209
See application file for complete search history.

(56) **References Cited**

U.S. PATENT DOCUMENTS

D158,902 S * 6/1950 Shapiro D2/849
D166,092 S * 3/1952 McDonald D2/849

D257,621 S * 12/1980 Viio D2/837
D378,008 S * 2/1997 Van Norman D2/828
D504,993 S * 5/2005 Brown D2/828
D609,882 S * 2/2010 Holder D2/828
D633,692 S * 3/2011 Lawrence D2/831
D643,577 S * 8/2011 Bulan D29/100
D684,749 S * 6/2013 Reisler D2/828
D698,121 S * 1/2014 Estenich D2/836
D713,130 S * 9/2014 Boyle D2/849

* cited by examiner

Primary Examiner — Holly Baynham

Assistant Examiner — Rashida C Walshon

(74) *Attorney, Agent, or Firm* — Dykema Gossett PLLC

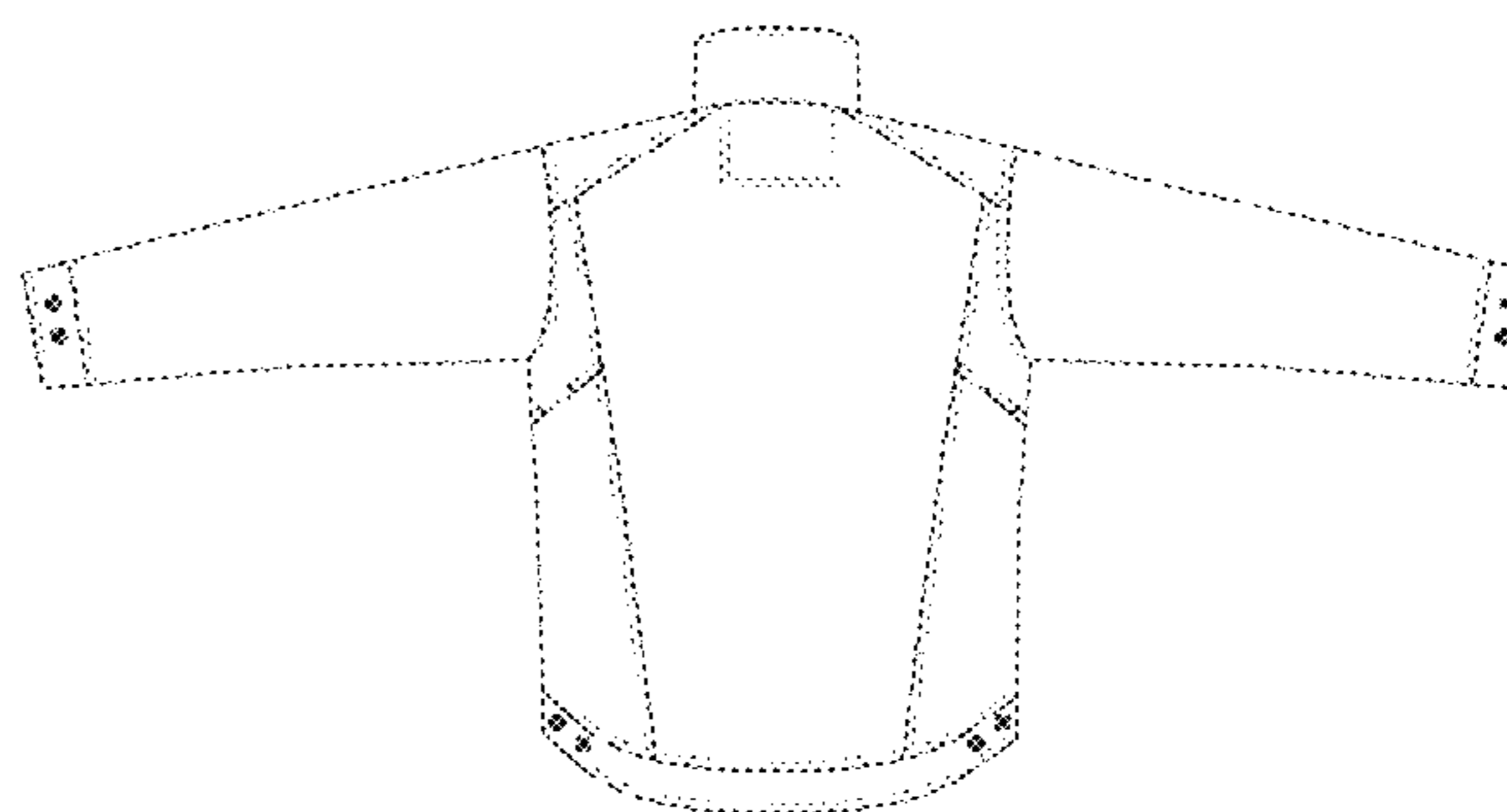
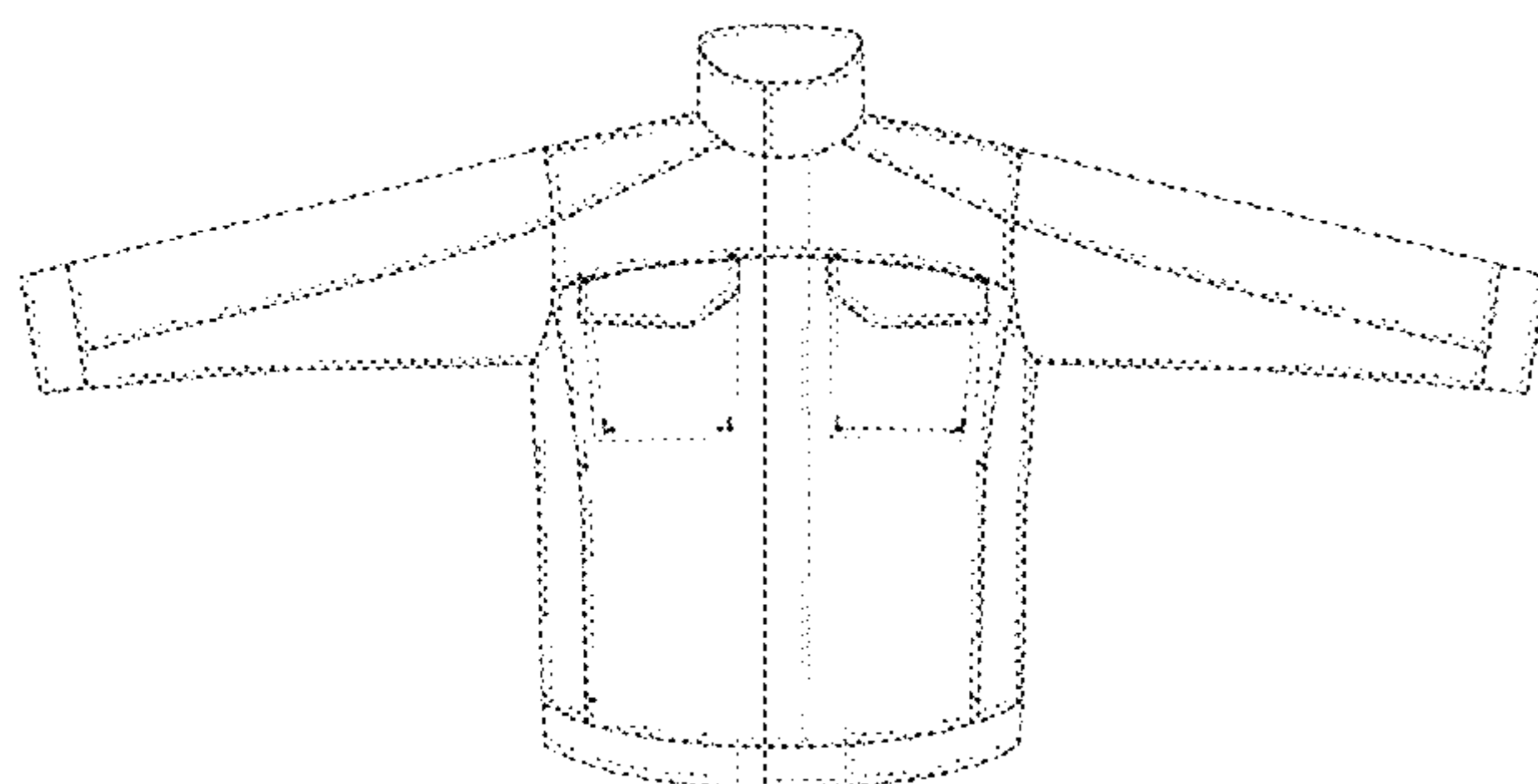
(57) **CLAIM**

The ornamental design for a jacket, as shown and described.

DESCRIPTION

FIG. 1 is a front view of a jacket showing my new and ornamental design,
FIG. 2 is a rear view thereof,
FIG. 3 is a right side view thereof,
FIG. 4 is a left side view thereof,
FIG. 5 is a top view thereof; and,
FIG. 6 is a bottom view thereof.
The broken lines represent stitching.

1 Claim, 6 Drawing Sheets



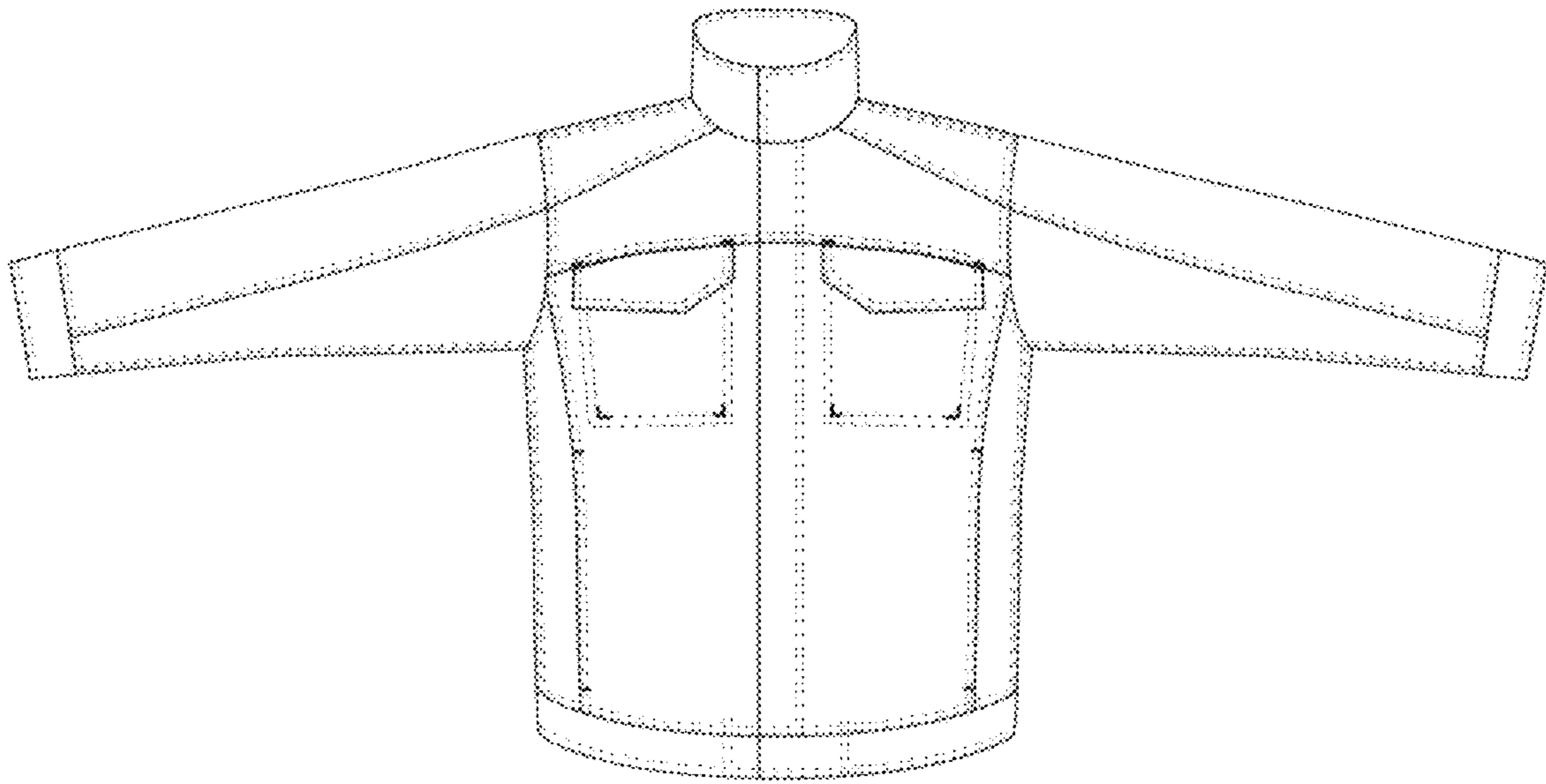


FIG. 1

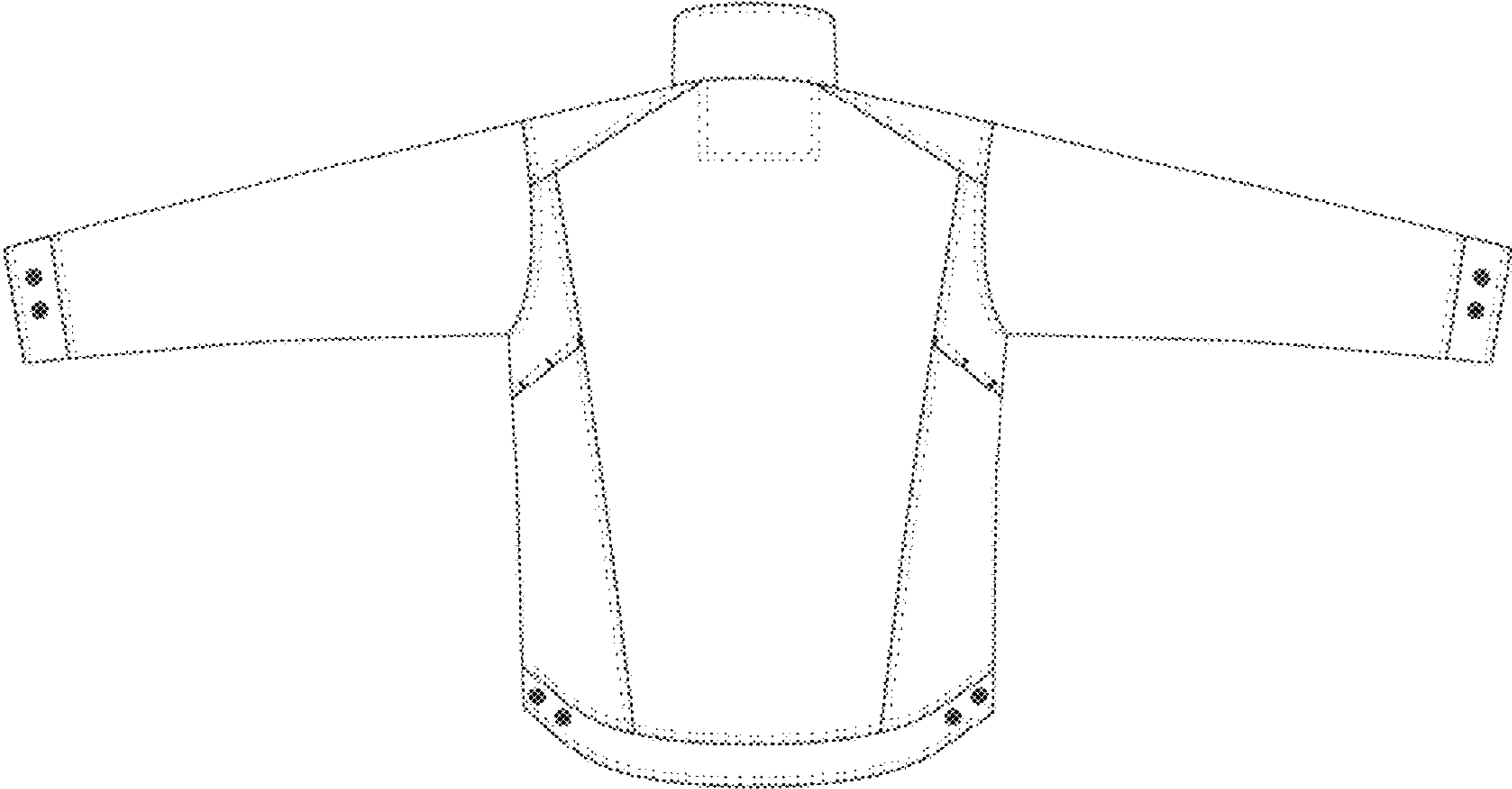


FIG. 2

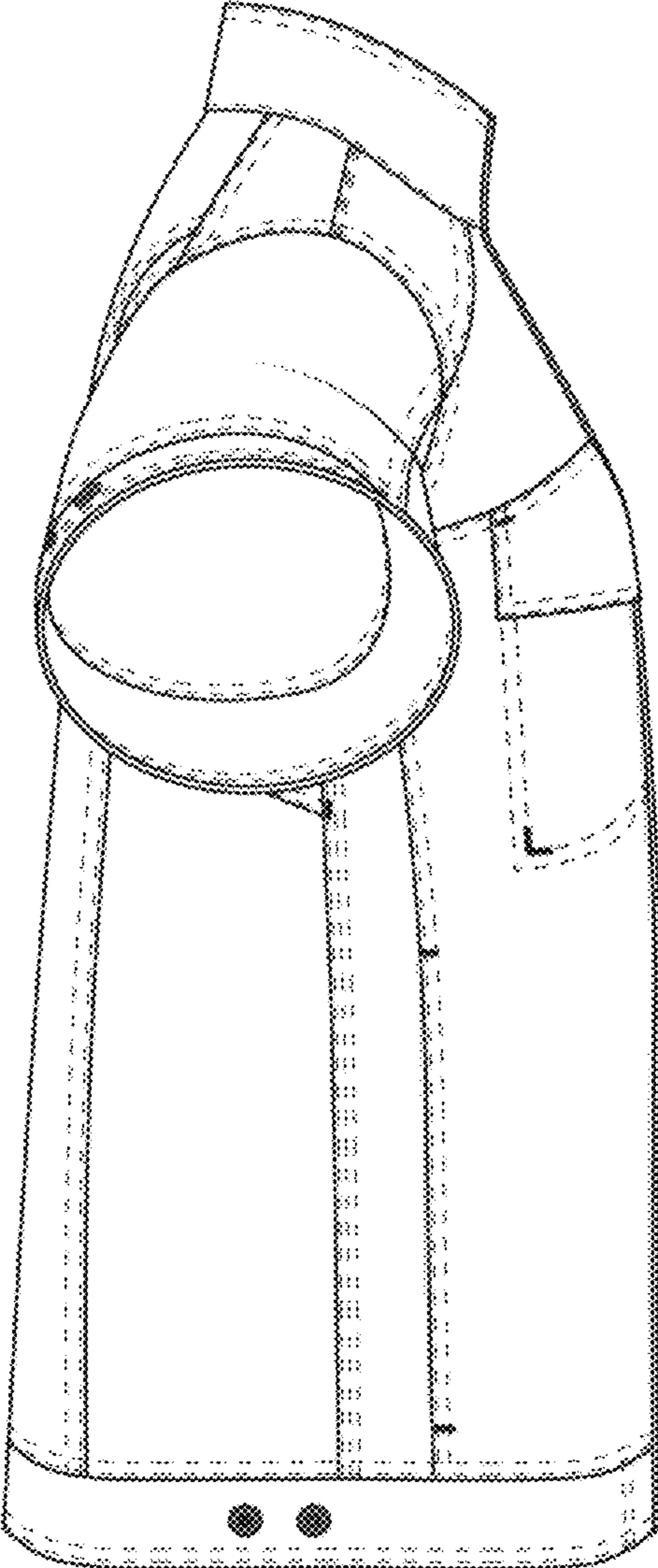


FIG. 3

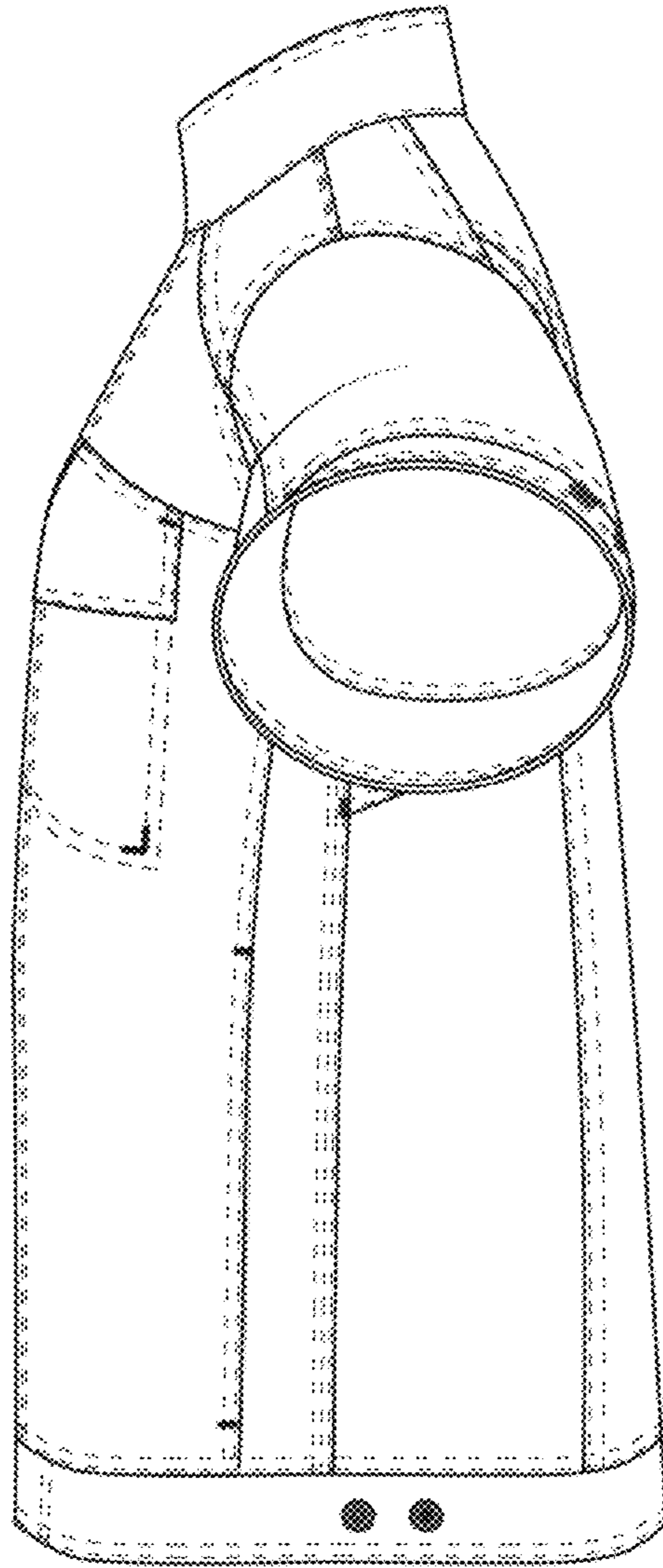


FIG. 4

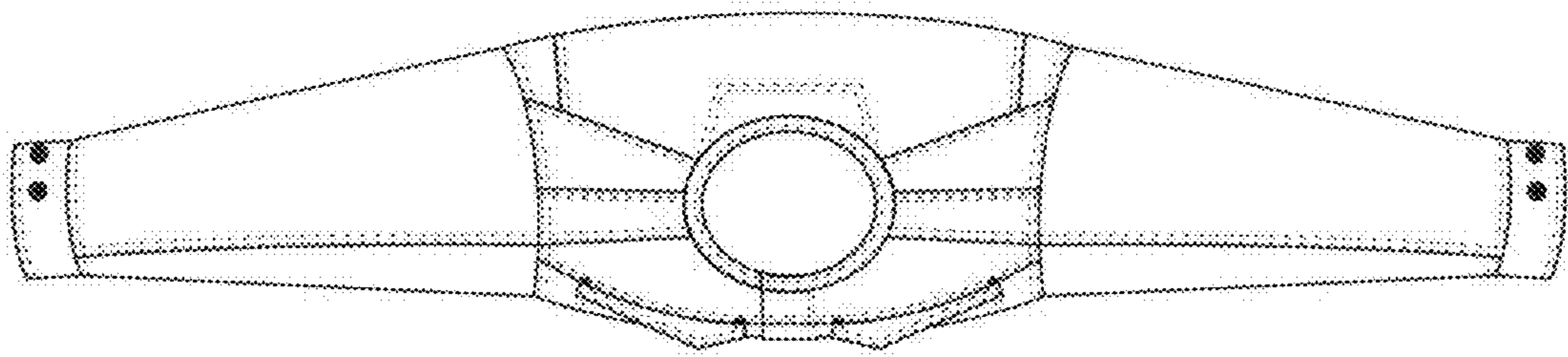


FIG. 5

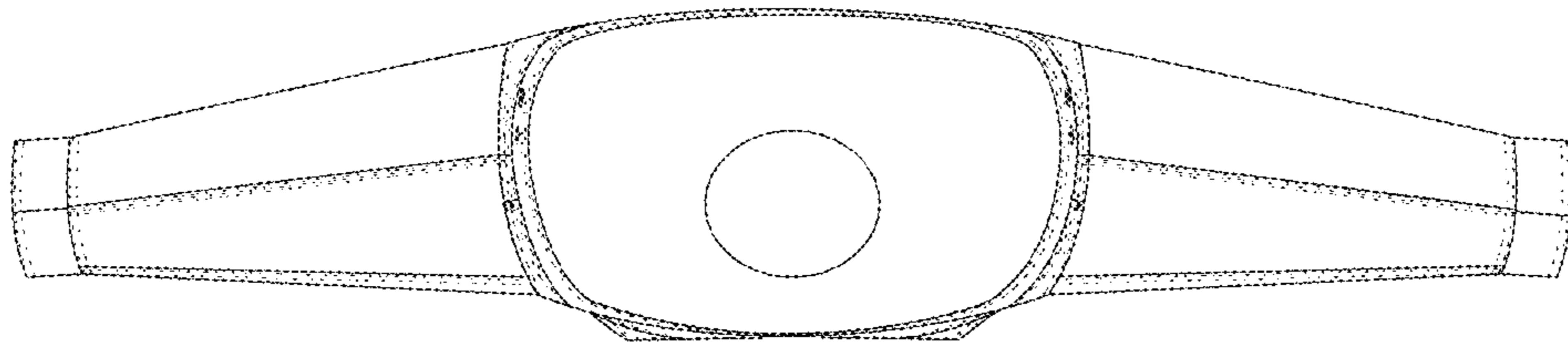


FIG. 6