

US00D790802S

(12) **United States Design Patent**
Op't Hof

(10) **Patent No.:** **US D790,802 S**

(45) **Date of Patent:** **** Jul. 4, 2017**

(54) **NURSING UNDERGARMENT**

(71) Applicant: **Elisa Sheranian Op't Hof**, Spanish Fork, TX (US)

(72) Inventor: **Elisa Sheranian Op't Hof**, Spanish Fork, TX (US)

(73) Assignee: **UNDERCOVER MAMA, LLC**, Mapleton, UT (US)

(**) Term: **14 Years**

(21) Appl. No.: **29/504,577**

(22) Filed: **Oct. 7, 2014**

Related U.S. Application Data

(63) Continuation-in-part of application No. 12/537,249, filed on Aug. 6, 2009, now abandoned, and a (Continued)

(51) **LOC (10) Cl.** **02-01**

(52) **U.S. Cl.**
USPC **D2/703**

(58) **Field of Classification Search**
USPC D2/700, 701, 702, 703, 705, 706, 708, D2/709, 717, 720, 721, 723, 728, 840, (Continued)

(56) **References Cited**

U.S. PATENT DOCUMENTS

1,204,657 A * 11/1916 Emmers A41B 9/06 2/113
1,214,084 A * 1/1917 Seifert A41B 9/06 2/113

(Continued)

OTHER PUBLICATIONS

Trademark #78965698 for "Comfy Kangaroo," filed Sep. 1, 2006 by Comfy Kangaroo Inc. First Use in Commerce Date: Apr. 15, 2006. Retrieved on Feb. 19, 2016.*

(Continued)

Primary Examiner — Karen E. Eldridge Powers

Assistant Examiner — Jasmine Mlinarcik

(74) *Attorney, Agent, or Firm* — Polsinelli PC; Adam C. Rehm

(57) **CLAIM**

The ornamental design for a nursing undergarment, as shown and described.

DESCRIPTION

FIG. 1 is a front elevational view of the first embodiment of a nursing undergarment, showing a new design;

FIG. 2 is a rear elevational view of the nursing undergarment shown in FIG. 1;

FIG. 3 is a right side elevational view of the nursing undergarment shown in FIG. 1, the left side elevational view being a mirror image of FIG. 3;

FIG. 4 is a front elevational view of the nursing undergarment shown in FIG. 1 secured to a garment on a figure;

FIG. 5 is a front magnified view of portion 5 of the nursing undergarment shown in FIG. 4;

FIG. 6 is a front magnified view of portion 6 of the nursing undergarment shown in FIG. 4;

FIG. 7 is a front elevational view of a second embodiment of the nursing undergarment shown in FIG. 1 secured to a garment on a figure, the only difference being that the open-ended fabric holder is not claimed;

FIG. 8 is a front magnified view of portion 8 of the nursing undergarment shown in FIG. 7;

FIG. 9 is a front magnified view of portion 9 of the nursing undergarment shown in FIG. 7;

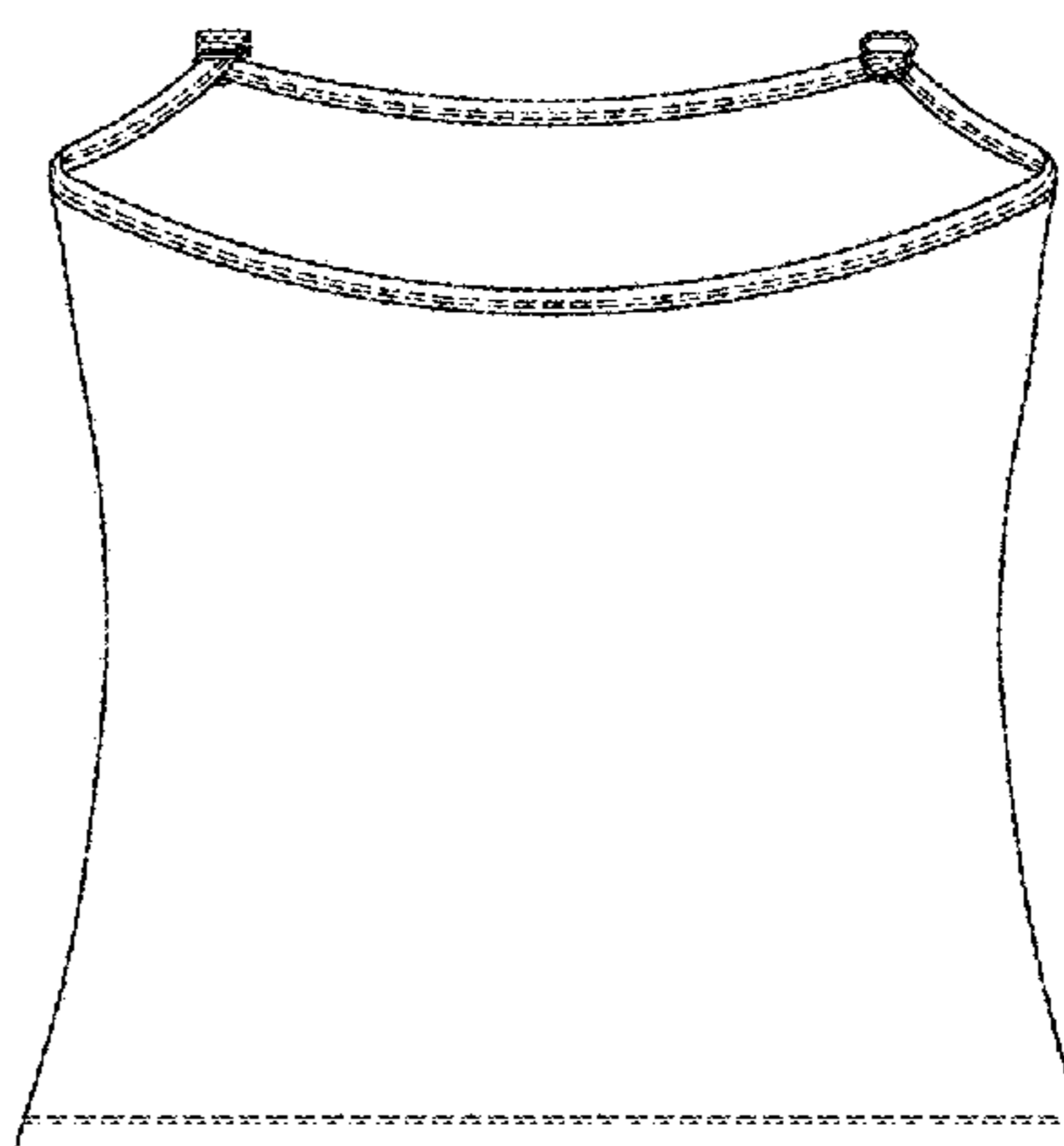
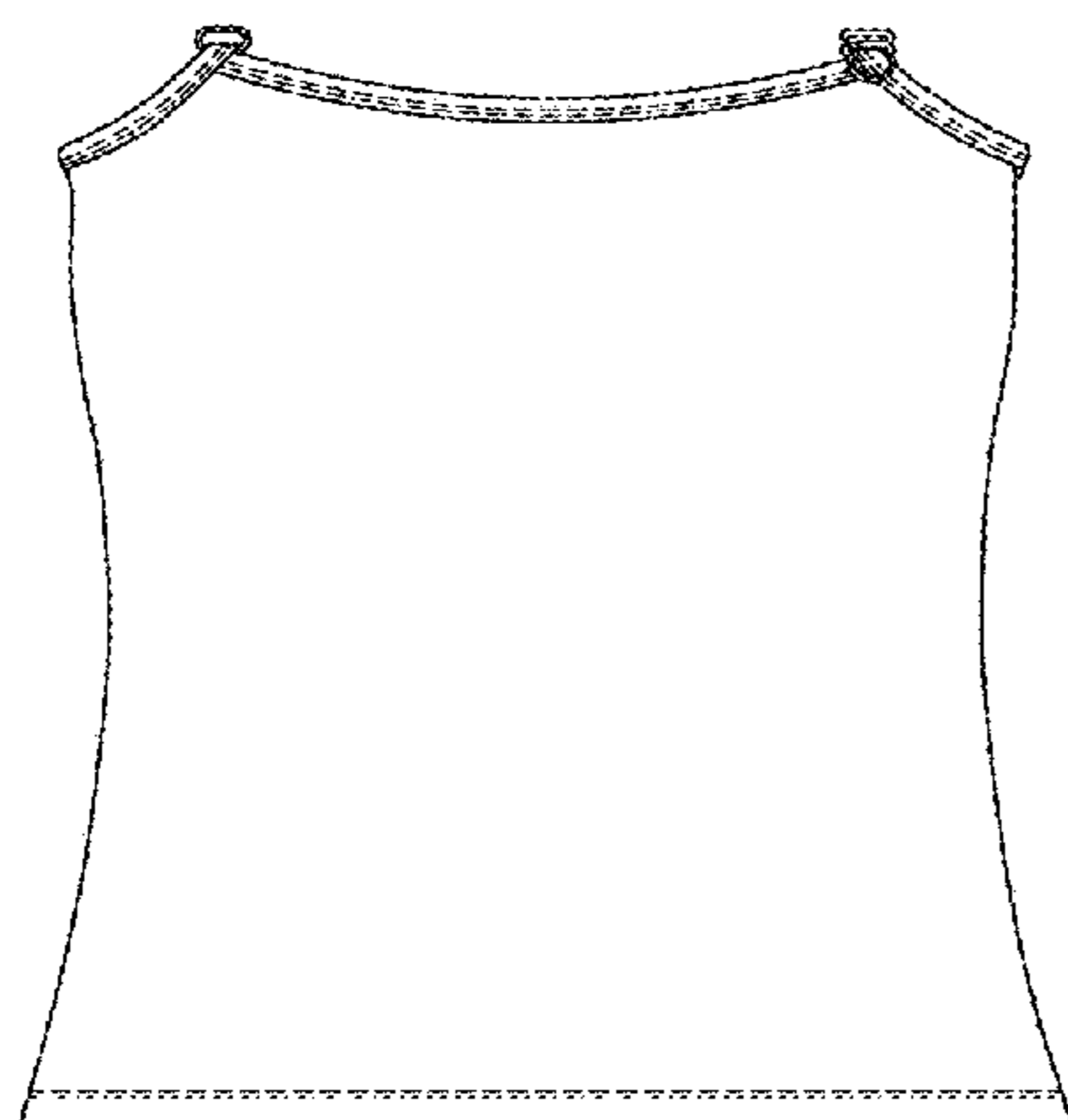
FIG. 10 is a front elevational view of a third embodiment of the nursing undergarment shown in FIG. 1 secured to a garment on a figure, the only difference being that the hoop is not claimed;

FIG. 11 is a front magnified view of portion 11 of the nursing undergarment shown in FIG. 10; and,

FIG. 12 is a front magnified view of portion 12 of the nursing undergarment shown in FIG. 10.

The broken lines represent environmental structure that forms no part of the claimed design. The circles outlined by dash-dot-dash broken lines in FIGS. 4, 7, and 10 illustrate

(Continued)



boundaries of enlarged FIGS. 5, 6, 8, 9, 11, and 12, and form no part of the claimed design.

1 Claim, 12 Drawing Sheets

Related U.S. Application Data

continuation of application No. 13/021,733, filed on Feb. 5, 2011, now Pat. No. 9,113,660.

(58) **Field of Classification Search**

USPC D2/841, 844, 845, 847, 853; D11/200, D11/208, 210, 212, 218, 220, 230, 231
CPC A41B 1/00; A41B 1/04; A41B 1/06; A41B 1/10; A41B 9/00; A41B 9/06; A41C 3/04; A41C 3/08; A41D 1/20; A41D 1/22; A41D 1/205; A41D 7/00; A41F 1/00; A41F 1/006

See application file for complete search history.

(56) **References Cited**

U.S. PATENT DOCUMENTS

1,632,137 A * 6/1927 Jackson A41B 9/08
2/71
1,927,018 A * 9/1933 Bloom A41C 3/08
2/113
2,113,795 A * 4/1938 Marshall A41F 15/002
2/73
D112,603 S * 12/1938 Farkas D11/218
2,501,860 A * 3/1950 Becker A41C 3/04
450/36
2,595,139 A * 4/1952 Hart A41F 15/002
2/323
2,925,816 A * 2/1960 Rosenthal A41C 3/04
450/37
3,212,503 A * 10/1965 Gorman A41C 3/08
2/73
4,024,876 A * 5/1977 Penrock A61F 2/52
450/48
4,335,728 A * 6/1982 Fildan A41C 3/04
450/36
4,372,320 A * 2/1983 Silber A41C 3/08
2/67
4,648,404 A * 3/1987 Clark A41C 3/08
2/104
4,798,557 A * 1/1989 Scott A41C 3/08
2/73
5,485,658 A * 1/1996 Fildan A41F 1/006
24/614
5,624,296 A * 4/1997 Weber-Unger A41C 3/04
2/101
6,346,027 B1 * 2/2002 Merkovsky A41C 3/04
450/36
6,530,820 B1 * 3/2003 Katze A41C 3/08
450/30
6,839,908 B2 * 1/2005 Schneider A41D 1/205
2/104
D571,254 S * 6/2008 Wanzenbock D11/212

7,395,556 B2 * 7/2008 Eraca A41D 13/1236
2/104
7,435,154 B2 * 10/2008 Fildan A41C 3/00
450/39
7,448,090 B2 * 11/2008 Lucock A41D 1/205
2/104
D595,932 S * 7/2009 Deal D2/706
D609,880 S * 2/2010 Maschue D2/728
D632,608 S * 2/2011 Corrado D11/208
D632,610 S * 2/2011 Corrado D11/208
D638,196 S * 5/2011 Torres D2/701
D644,003 S * 8/2011 Hendrickson D2/703
8,307,463 B2 * 11/2012 Ritchie A41C 3/04
2/104
8,469,769 B2 * 6/2013 Hendrickson A41C 3/04
450/30
8,574,027 B2 * 11/2013 Kipnes A41D 1/22
2/73
9,113,660 B2 * 8/2015 Op't Hof A41B 9/06
D737,541 S * 9/2015 Morin D2/708
2004/0038621 A1 * 2/2004 Vera A41D 1/205
450/36
2005/0085160 A1 * 4/2005 Johnstone A41C 3/04
450/36
2007/0074330 A1 * 4/2007 Azaronak A41D 1/205
2/104
2008/0003921 A1 * 1/2008 Fildan A41C 3/04
450/36
2008/0022434 A1 * 1/2008 Adelman A41D 1/205
2/104
2010/0031418 A1 * 2/2010 Op't Hof A41B 9/06
2/113
2013/0291277 A1 * 11/2013 Kirkwood A41D 1/22
2/69
2014/0273737 A1 * 9/2014 Cortese A41D 1/205
450/31

OTHER PUBLICATIONS

“Comfy Kangaroo Violet Nursing Tank Kit,” item once available for sale on-line on Amazon.com as early as Mar. 27, 2008. Retrieved from the Internet on Feb. 19, 2016. URL: http://www.amazon.com/dp/B00178TW0S/ref=as_li_ss_tl?ie=UTF8&tag=justprofit-20. (2 pages).*

“Weekly Giveaway—Undercover Mama,” blog posted on-line on Feb. 19, 2010. Retrieved from the Internet on Mar. 4, 2016. URL: <http://blog.mom4life.com/weekly-giveaway-undercover-mama/>. (4 pages).*

“Attachment Options by Undercover Mama,” video created on Mar. 16, 2011. Retrieved from the Internet on Mar. 4, 2016. URL: <https://www.youtube.com/watch?v=94qFQ9hXslY&index=3&list=PL4D905F665D18C4FA>. (3 pages).*

“Undercover Mama Review by Mom4Life.com,” video uploaded on May 17, 2011. Retrieved from the Internet on Mar. 4, 2016. URL: <https://www.youtube.com/watch?v=XZ9684VzYrE>. (2 pages).*

“Undercover Mama Nursing Layer,” article available for sale on-line. Crawl back date as soon as Aug. 12, 2013. Retrieved from the Internet on Mar. 4, 2016. URL: <http://web.archive.org/web/20130812033428/http://baby.steals.com/daily/deal/id/3006237/undercover-mama-nursing-layer>. (3 pages).*

* cited by examiner

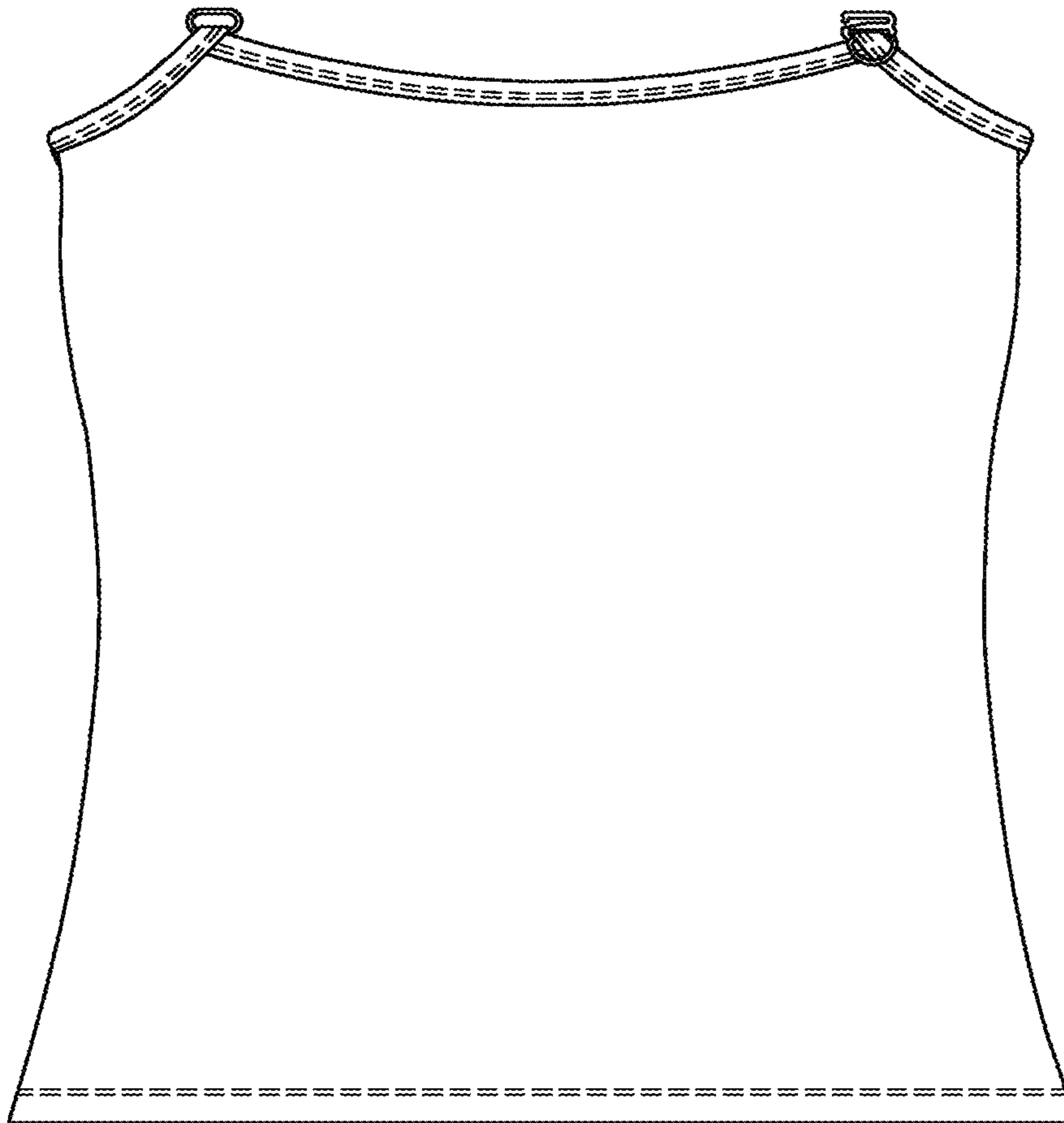


FIG. 1

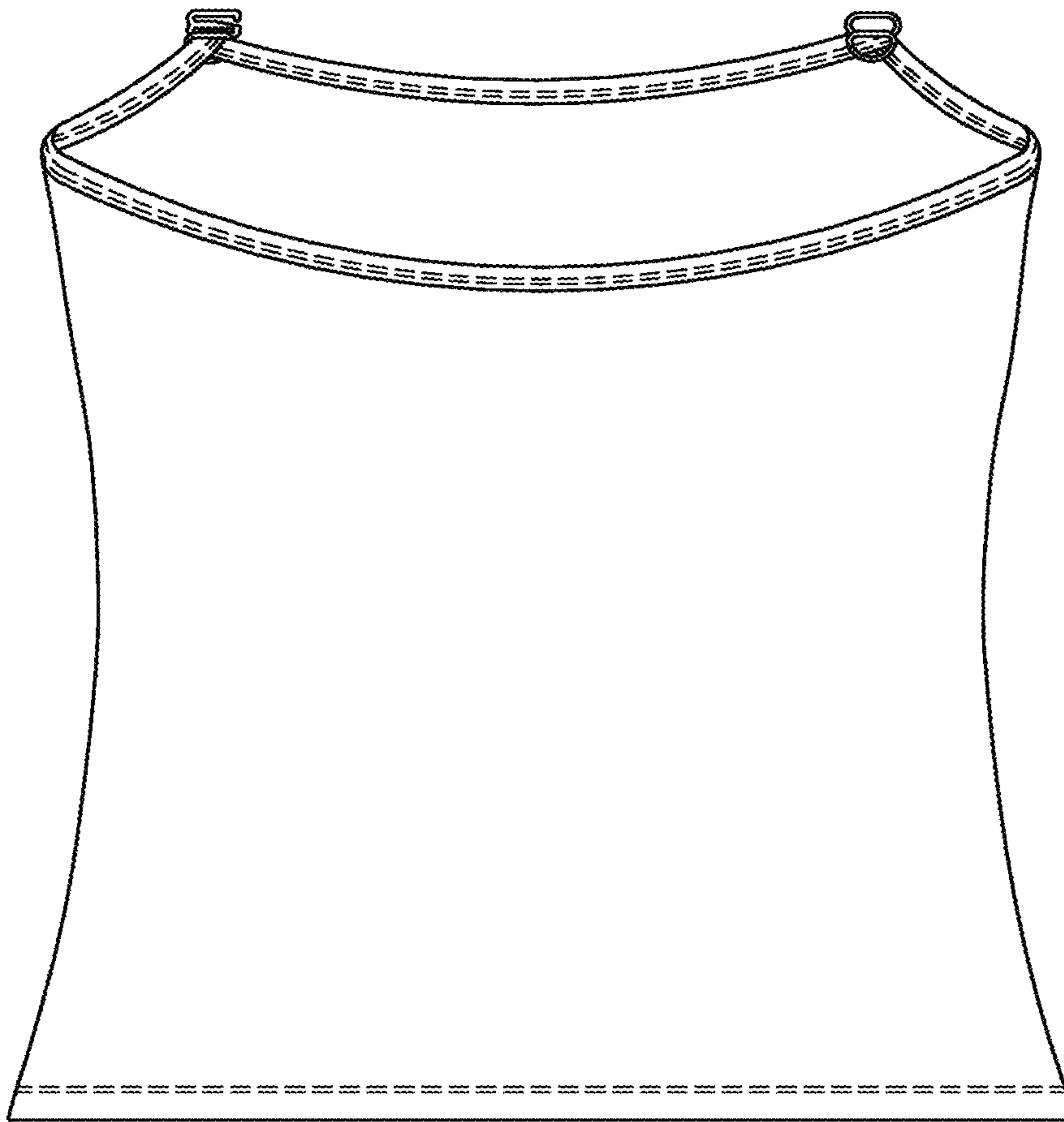


FIG. 2

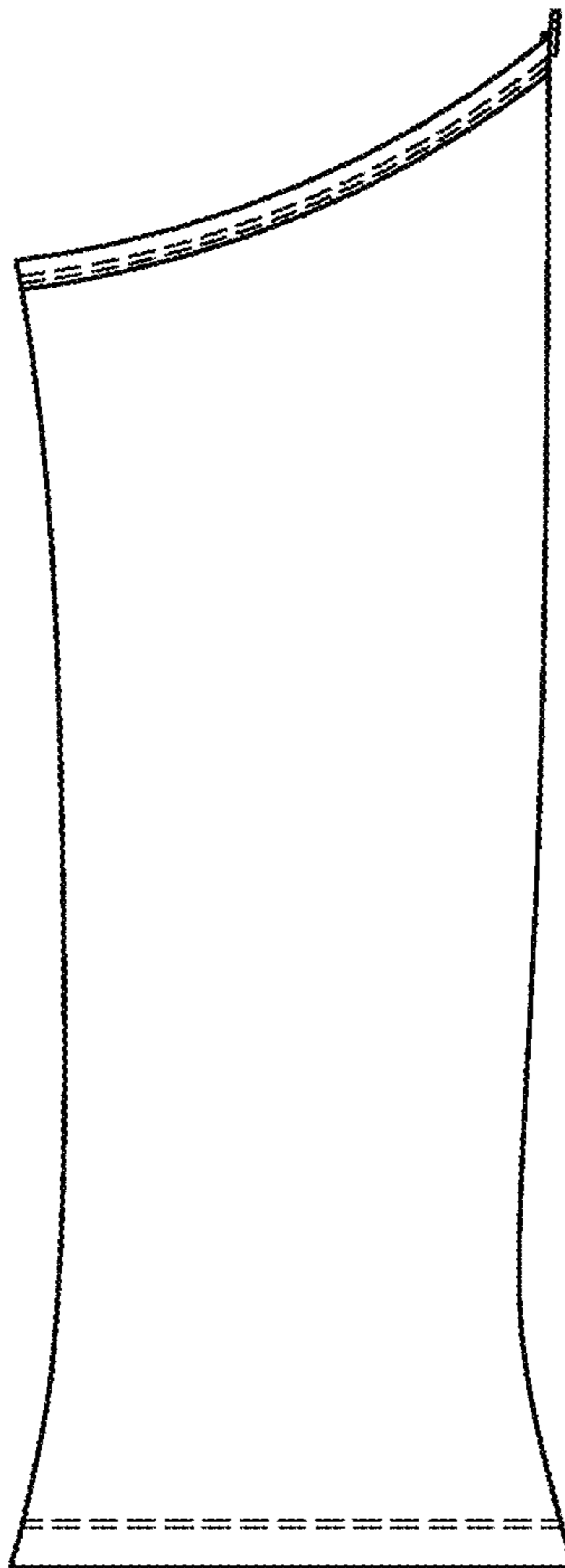


FIG. 3

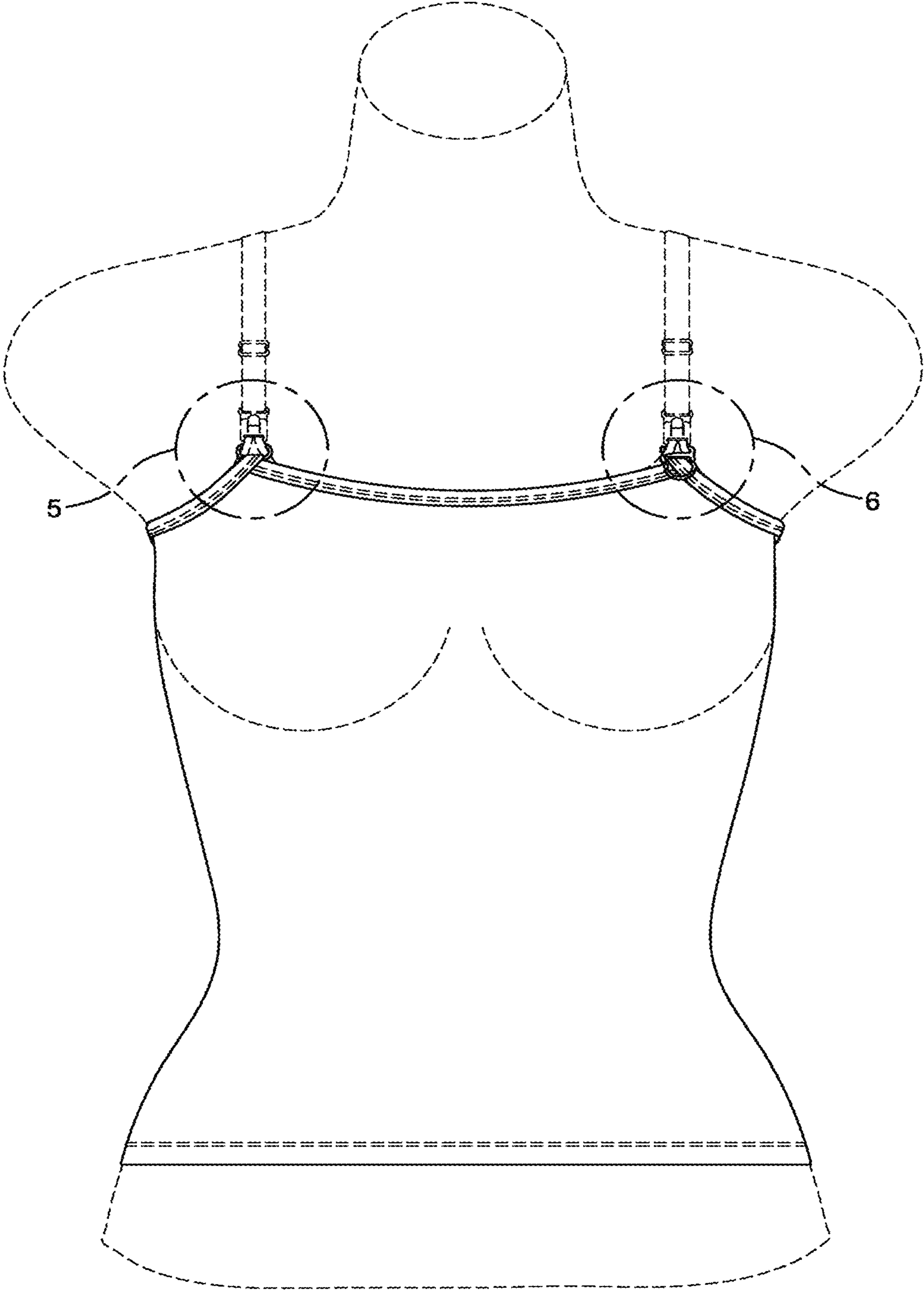


FIG. 4

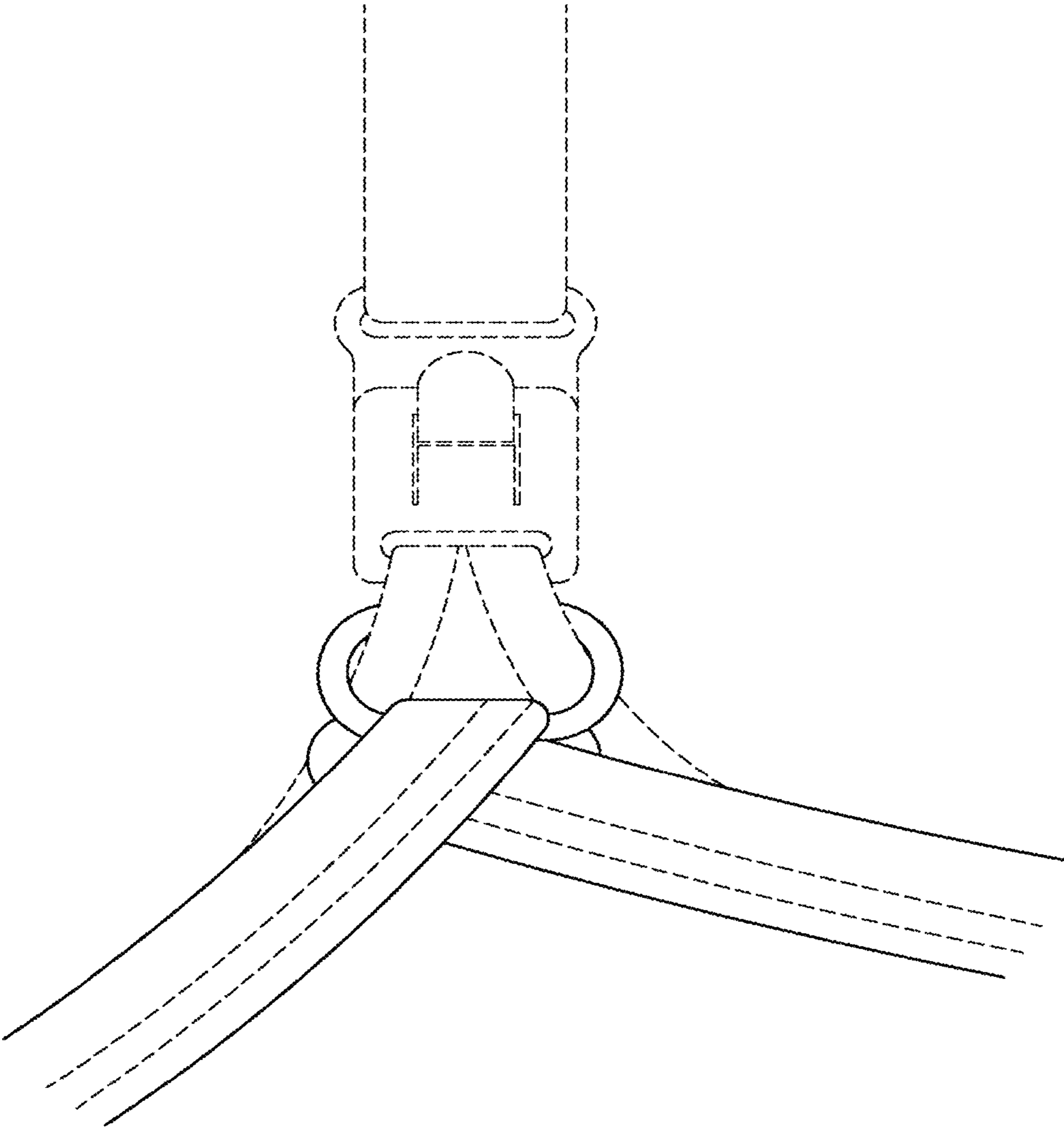


FIG. 5

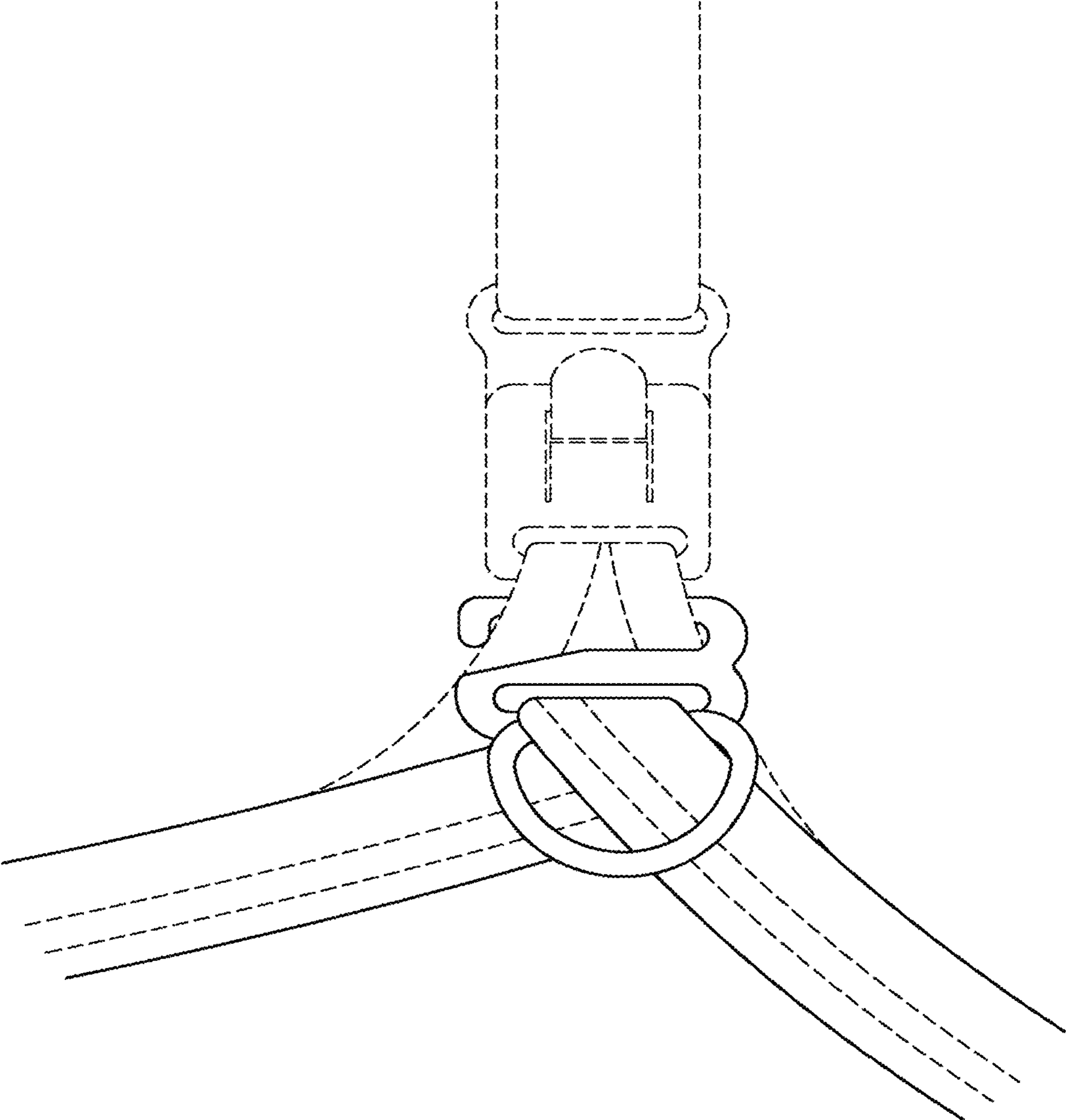


FIG. 6

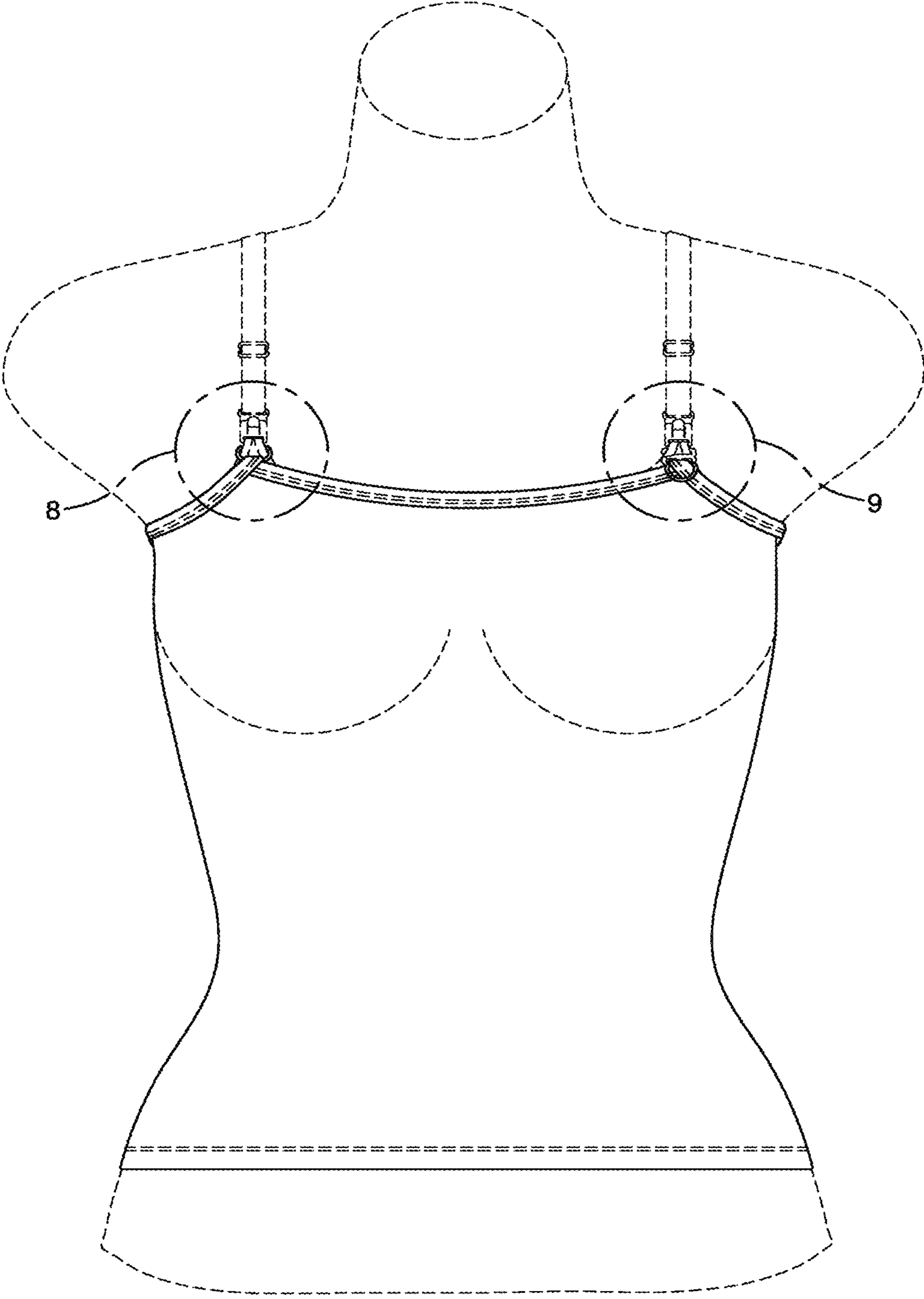


FIG. 7

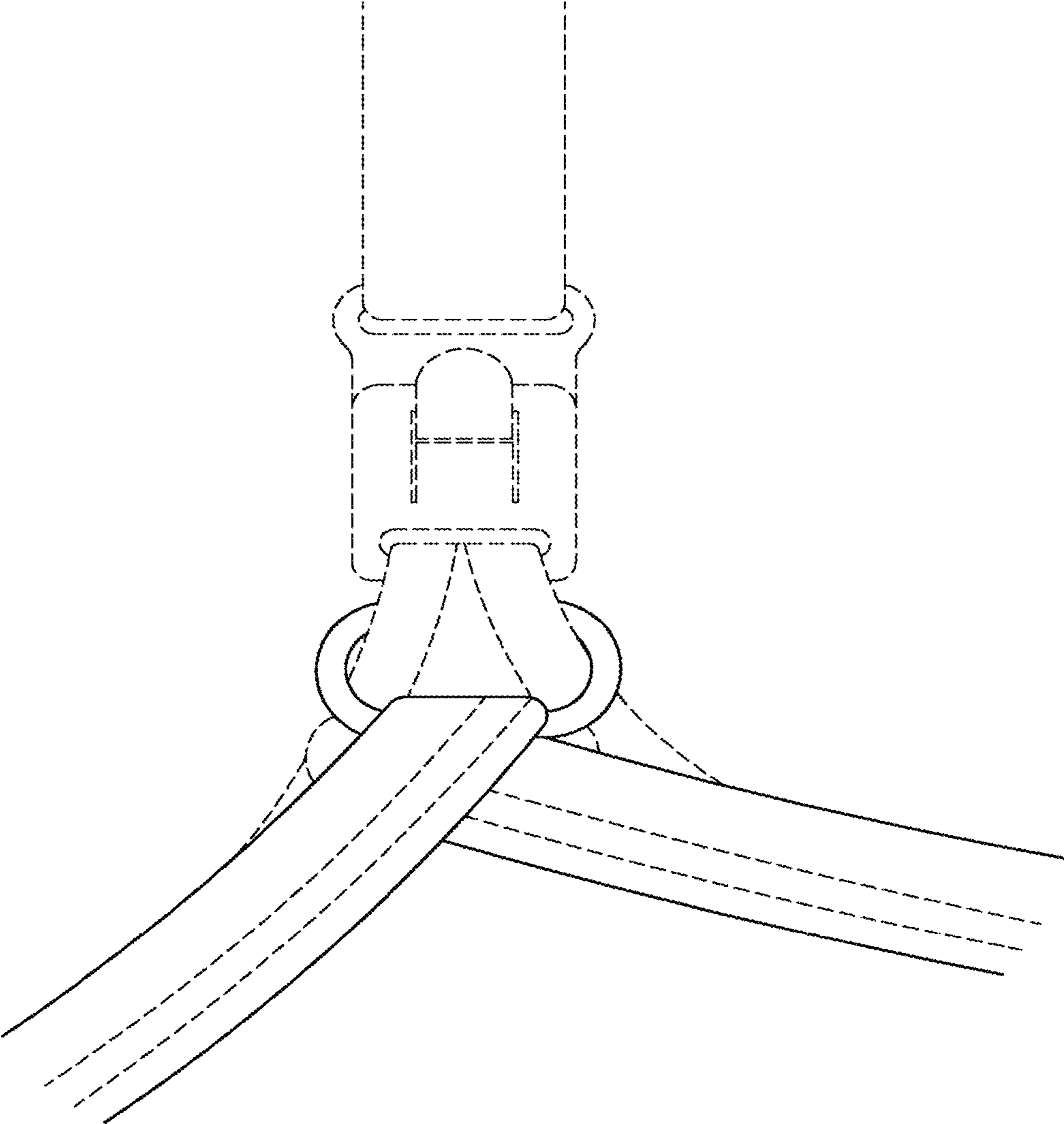


FIG. 8

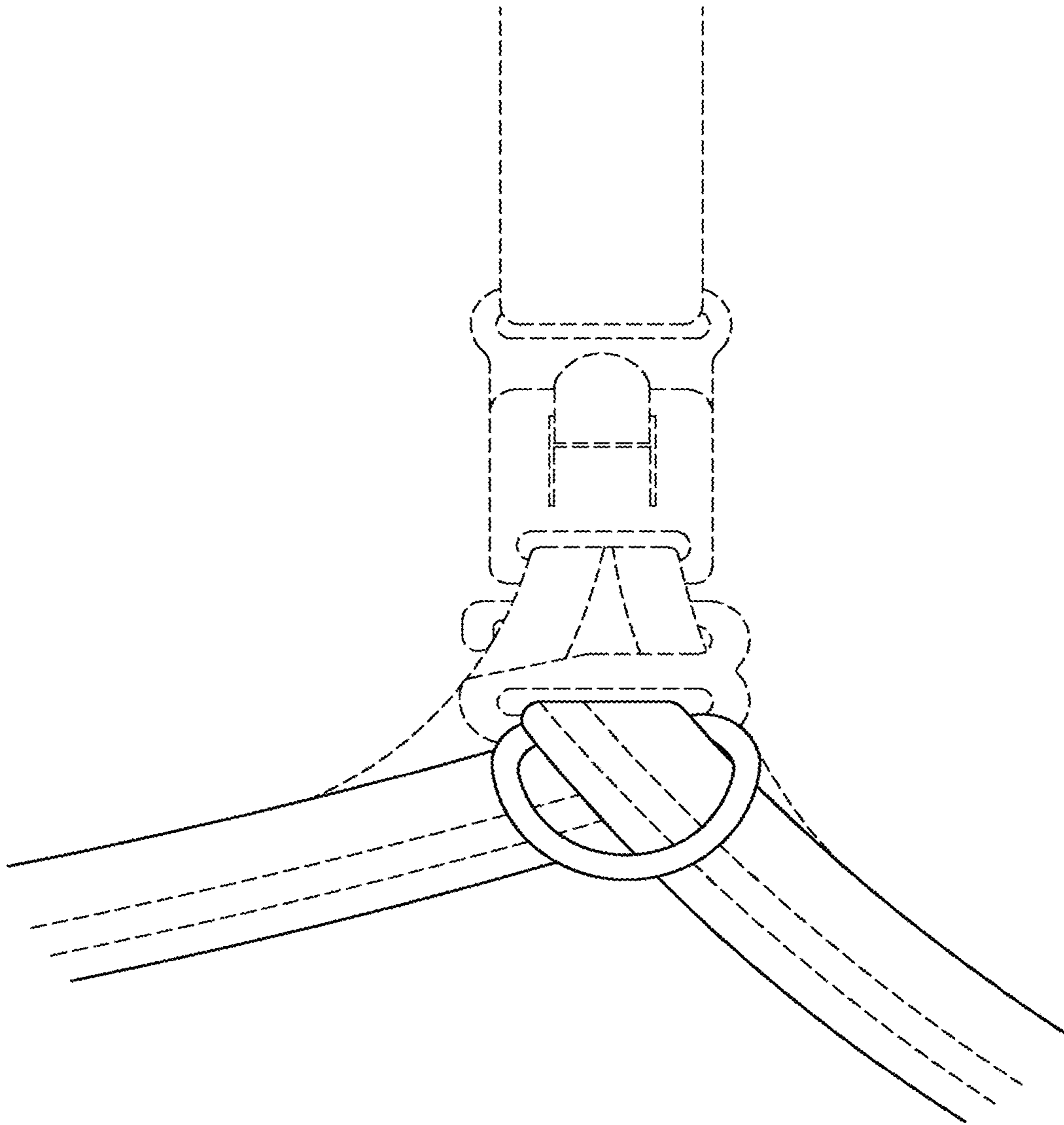


FIG. 9

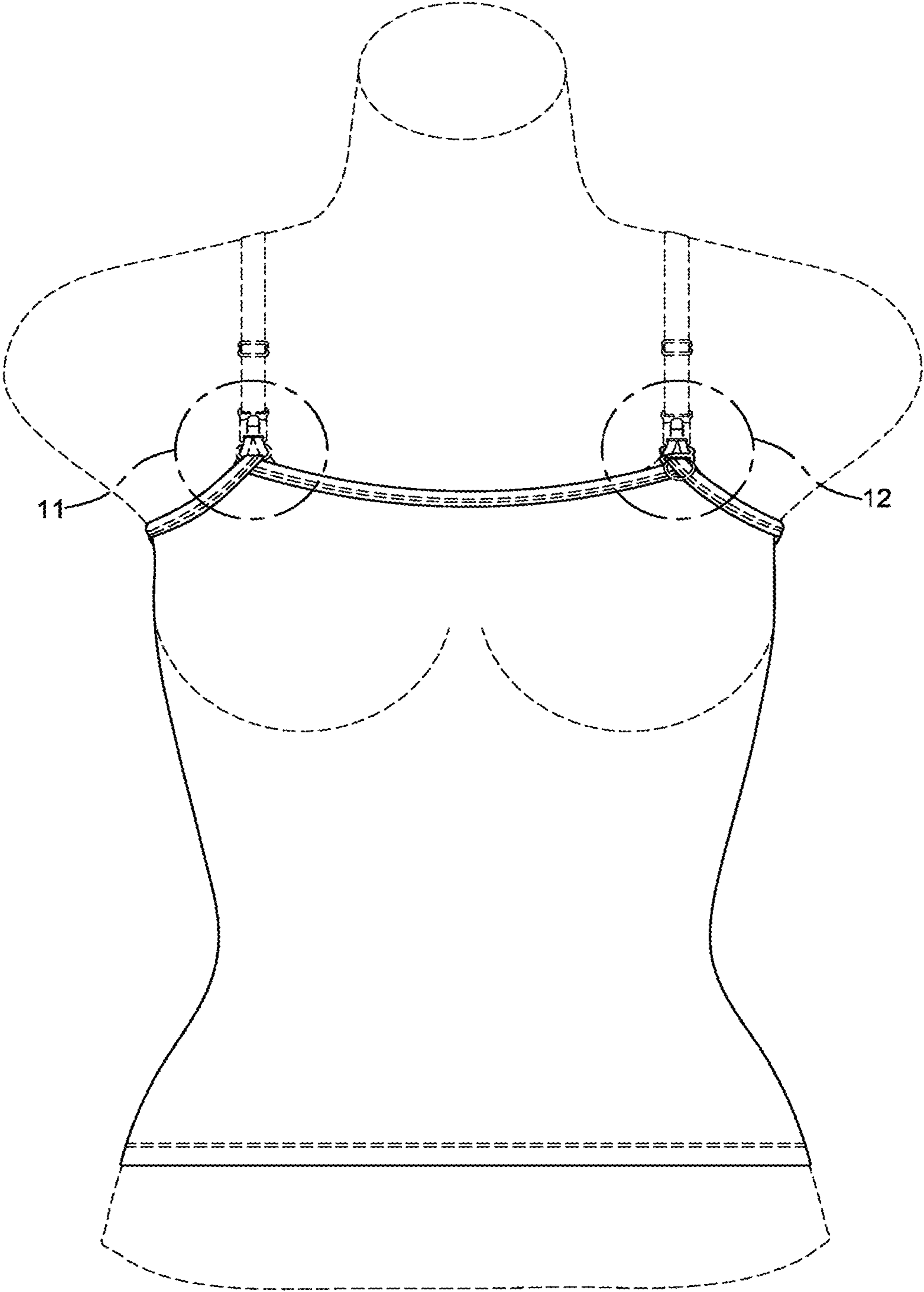


FIG. 10

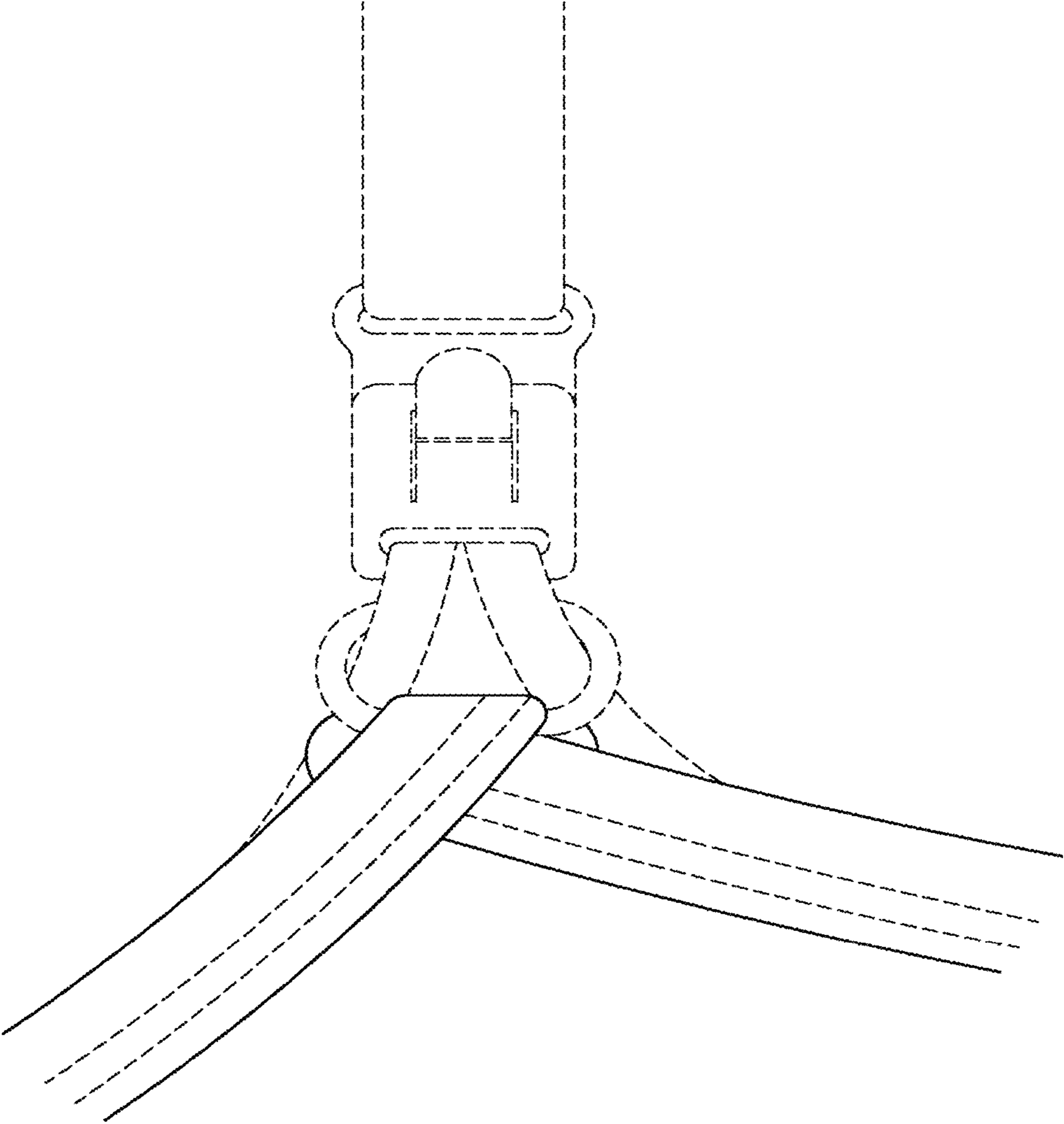


FIG. 11

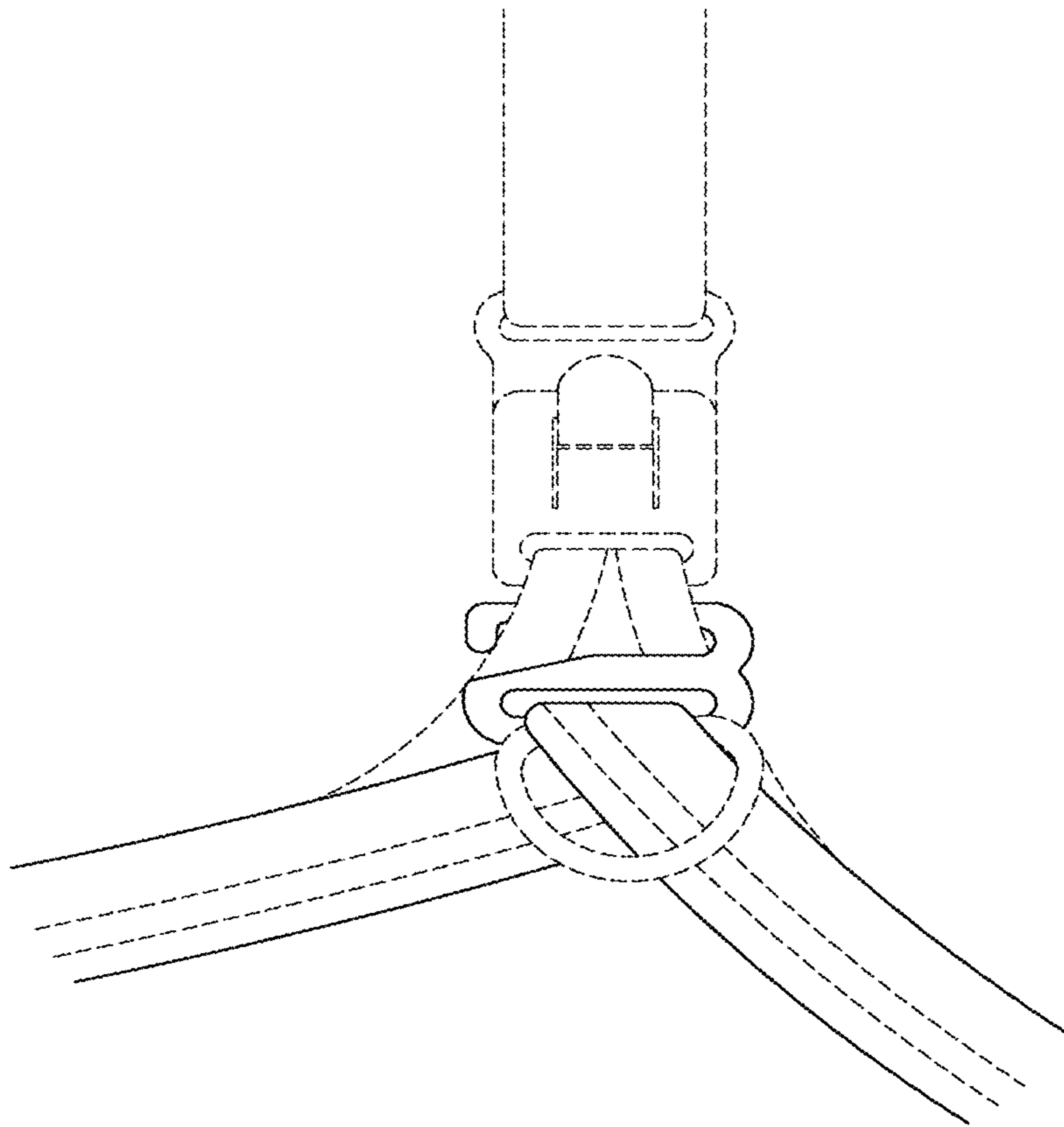


FIG. 12