



US00D790797S

(12) **United States Design Patent**  
**Buell**

(10) **Patent No.:** **US D790,797 S**  
(45) **Date of Patent:** **\*\* Jun. 27, 2017**

- (54) **ADJUSTABLE TROLLEY BLOCK**
- (71) Applicant: Meyn Beheer B.V.
- (72) Inventor: **Stanley Buell**, Ball Ground, GA (US)
- (73) Assignee: **MEYN BEHEER B.V.**, Oostzaan (NL)
- (\*\*) Term: **15 Years**
- (21) Appl. No.: **29/539,953**
- (22) Filed: **Sep. 18, 2015**
- (30) **Foreign Application Priority Data**

Mar. 18, 2015 (EM) ..... 002658633

(51) **LOC (10) Cl.** ..... **12-05**

(52) **U.S. Cl.**  
USPC ..... **D34/35**

(58) **Field of Classification Search**  
USPC ..... D34/28, 35, 32, 33, 34; D25/113;  
D12/49; D13/146; 254/382, 374, 356,  
254/380  
CPC ..... B61B 7/14; B66D 3/26; B66D 1/7494;  
B66D 1/7431; B21L 19/00  
See application file for complete search history.

(56) **References Cited**

**U.S. PATENT DOCUMENTS**

D363,052 S \* 10/1995 Laird ..... D12/180  
D388,928 S \* 1/1998 Kuryu ..... D34/33

D389,978 S \* 1/1998 Sondergeld, Jr. .... D34/33  
D404,879 S \* 1/1999 Murakami ..... D34/27  
D413,190 S \* 8/1999 Catanach ..... D34/28  
D505,763 S \* 5/2005 Greene ..... D34/28  
D516,268 S \* 2/2006 Gaster ..... D34/32  
D550,923 S \* 9/2007 Huang ..... D34/33  
D571,973 S \* 6/2008 Burns ..... D34/33  
D622,472 S \* 8/2010 Hancock ..... D34/33  
2016/0075343 A1 \* 3/2016 Chasteen ..... A63G 21/22  
104/178  
2016/0347595 A1 \* 12/2016 Valero Lafuente ..... B66D 3/26

\* cited by examiner

*Primary Examiner* — Cynthia Ramirez

(74) *Attorney, Agent, or Firm* — Dority & Manning, P.A.

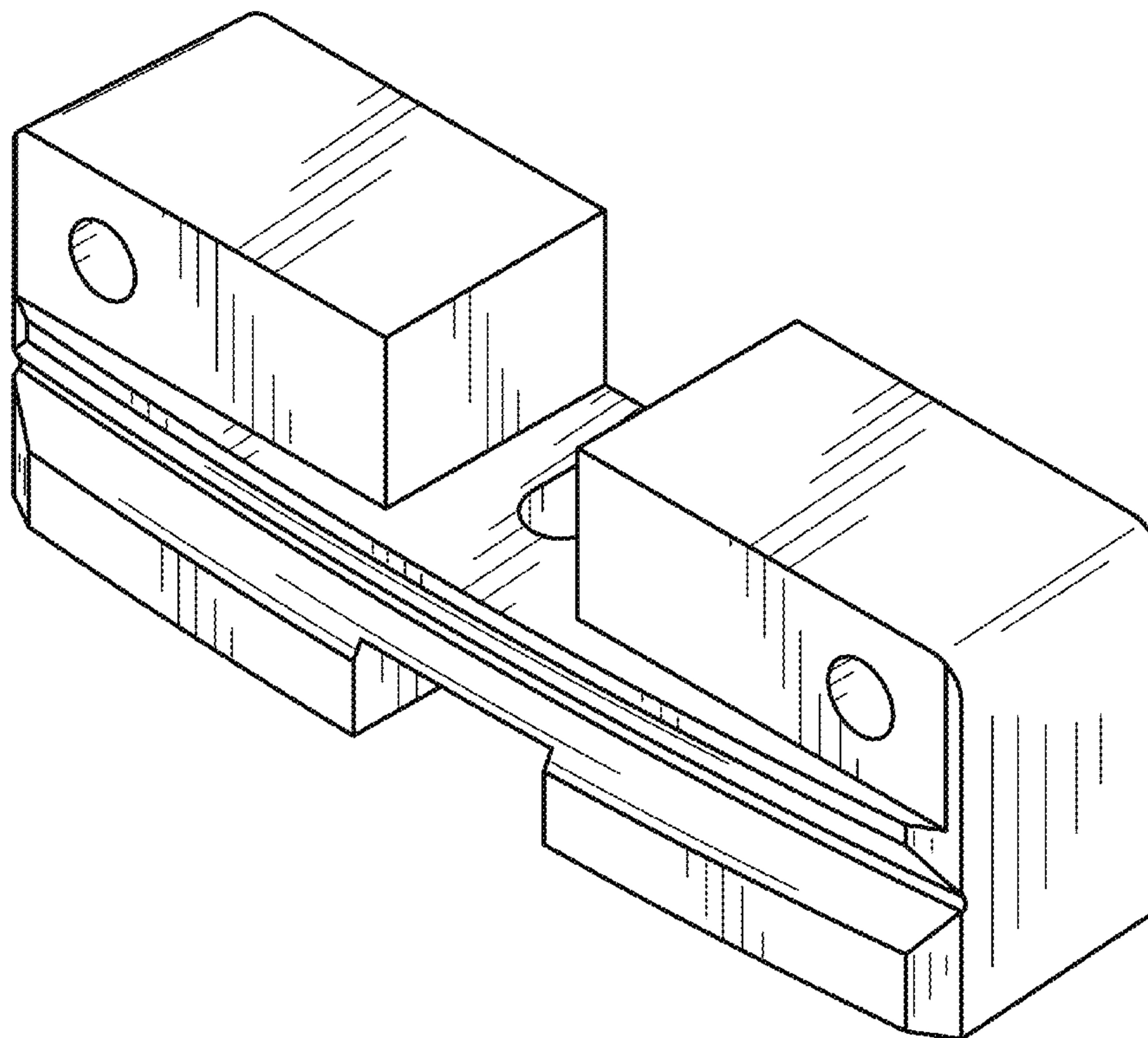
(57) **CLAIM**

The ornamental design for an adjustable trolley block, as shown and described.

**DESCRIPTION**

FIG. 1 is a front view of the adjustable trolley block showing the new design;  
FIG. 2 is a right side view of the new design;  
FIG. 3 is a top view of the new design;  
FIG. 4 is a left side view of the new design;  
FIG. 5 is a bottom view of the new design;  
FIG. 6 is a rear view of the new design; and,  
FIG. 7 is a perspective view of the new design.

**1 Claim, 7 Drawing Sheets**



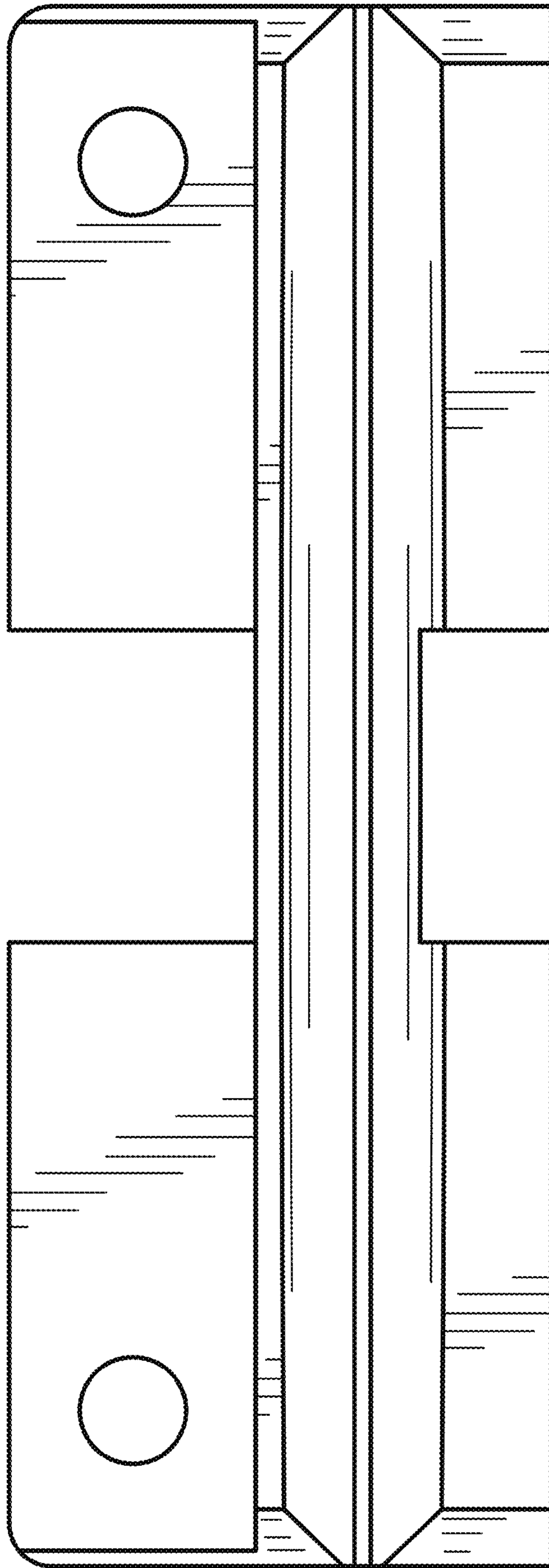


FIG. 1

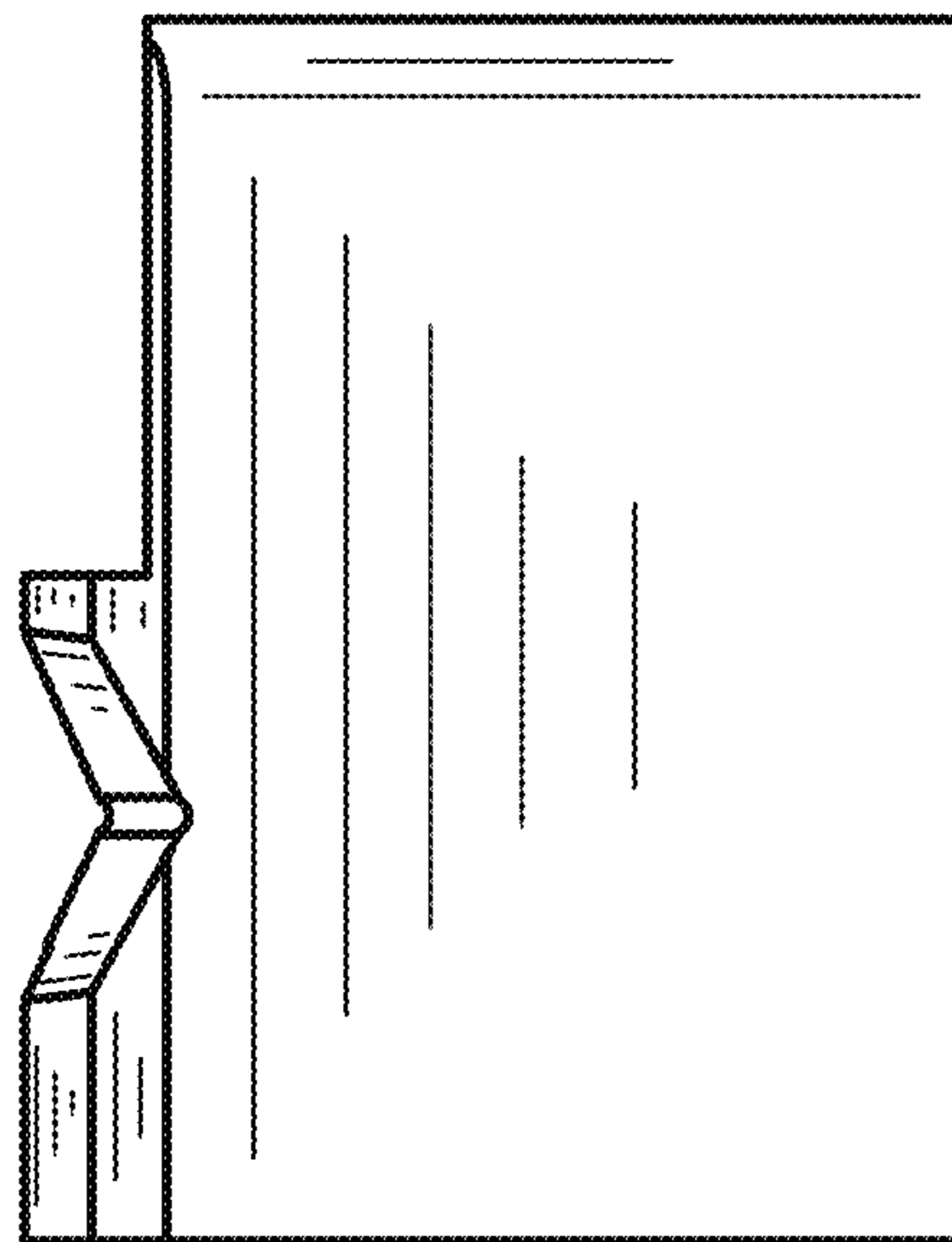


FIG. 2

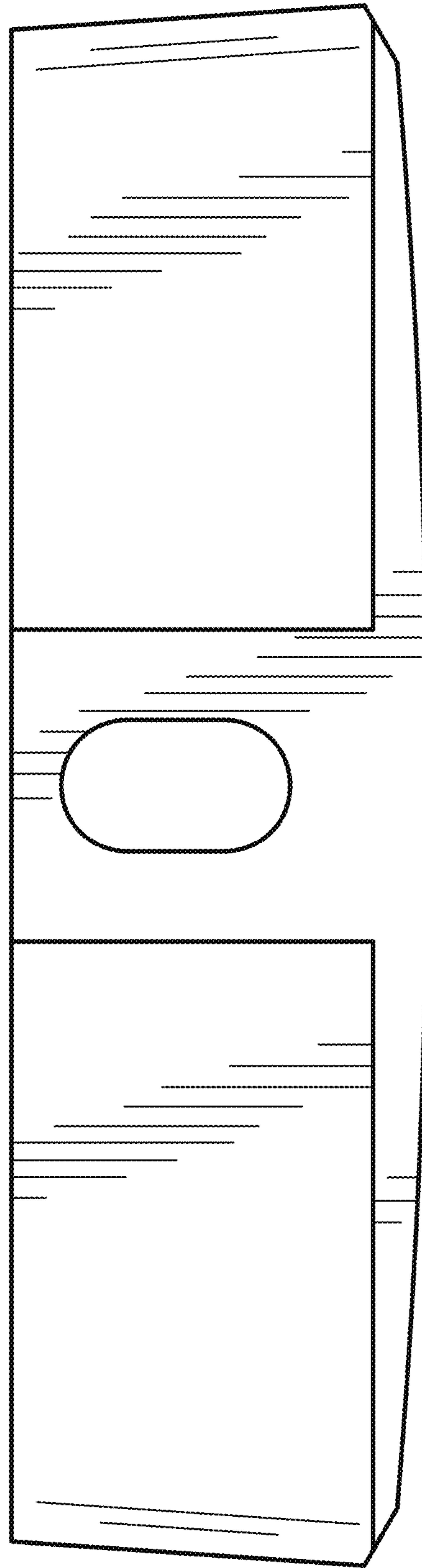


FIG. 3

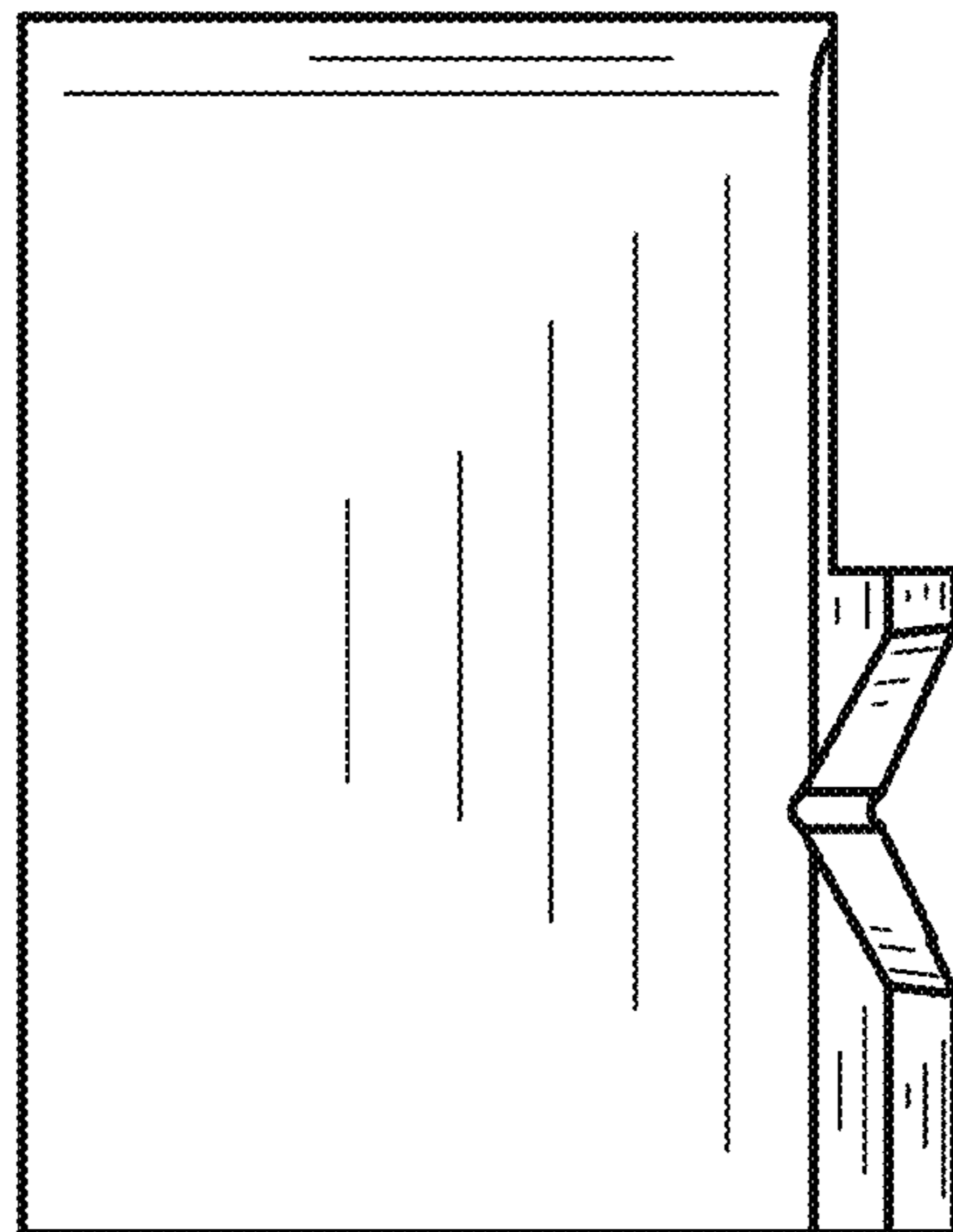


FIG. 4

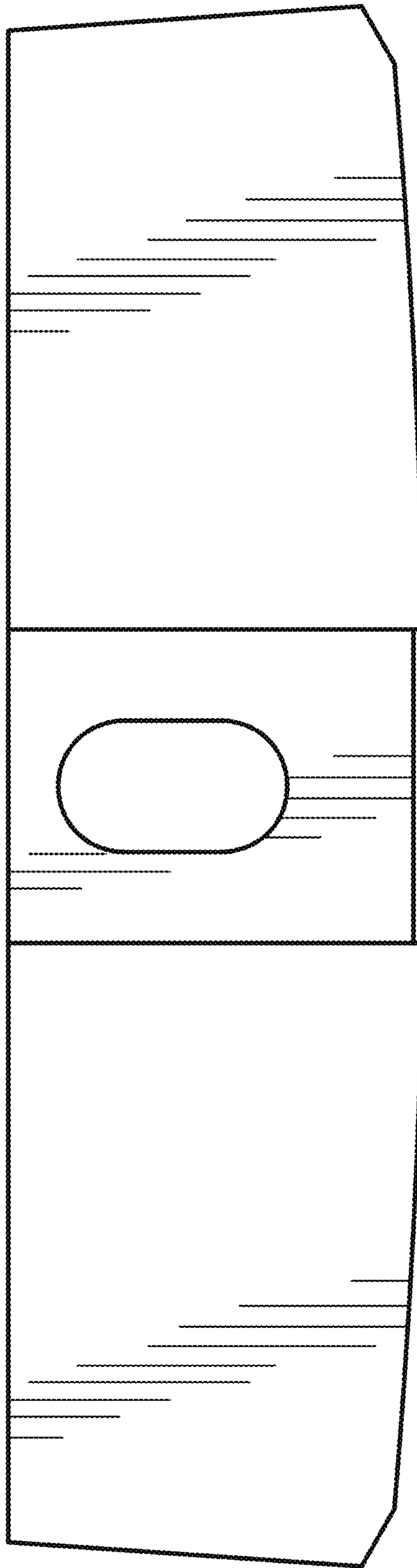


FIG. 5

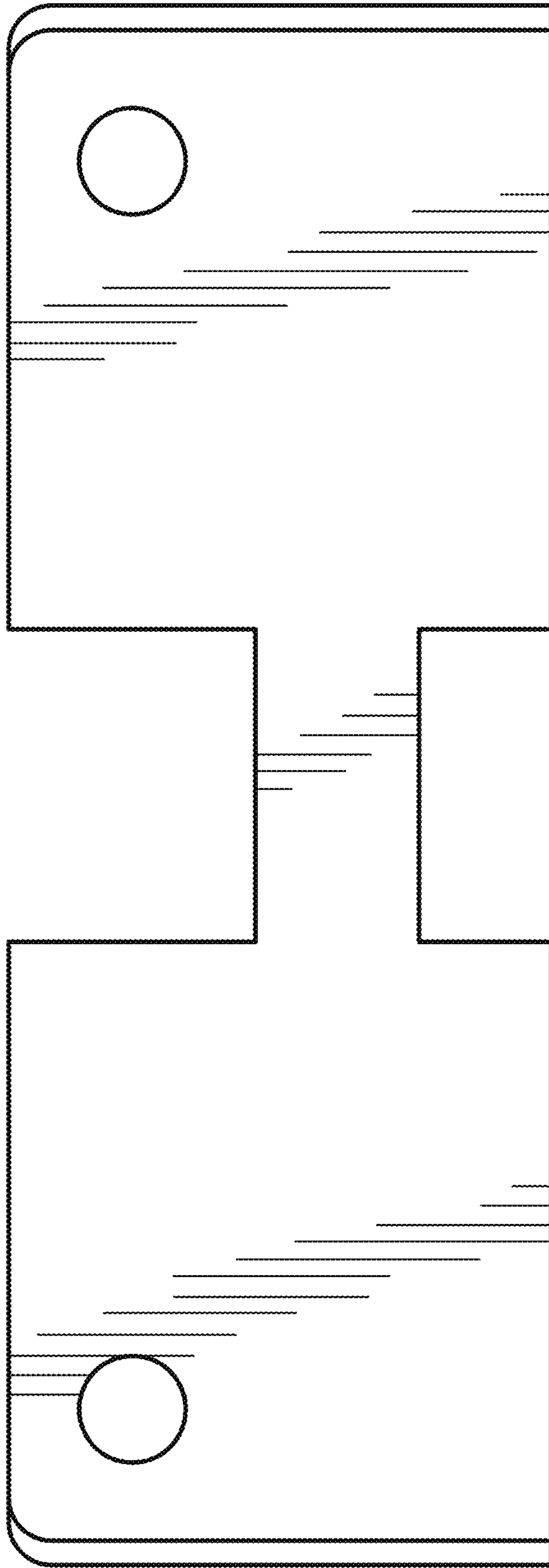


FIG. 6

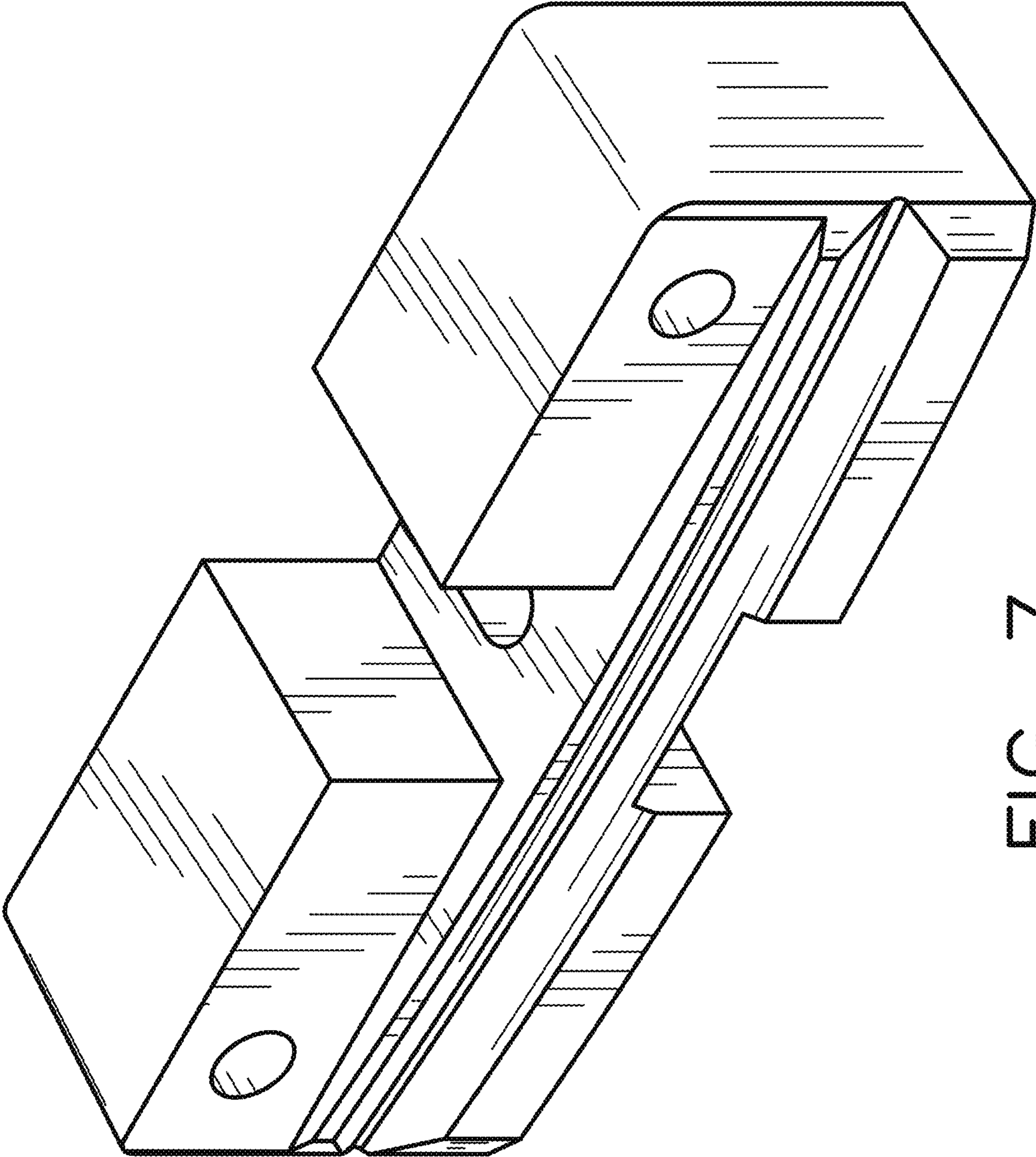


FIG. 7