

US00D790796S

(12) **United States Design Patent** (10) **Patent No.:** **US D790,796 S**
Alanko et al. (45) **Date of Patent:** **** Jun. 27, 2017**

(54) **LARGE POWERED JACK**
(71) Applicant: **Cequent Performance Products, Inc.**,
Plymouth, MI (US)
(72) Inventors: **Erik Alanko**, Wausau, WI (US);
Gregory T. Goetsch, Merrill, WI (US)
(73) Assignee: **HORIZON GLOBAL AMERICAS**
INC., Plymouth, MI (US)

D357,786 S * 4/1995 Nichols D34/31
D653,834 S * 2/2012 Ahrenholtz D34/31
D680,914 S * 4/2013 Greenblatt D12/115
(Continued)

(**) Term: **15 Years**

(21) Appl. No.: **29/530,686**

(22) Filed: **Jun. 18, 2015**

(51) **LOC (10) Cl.** **12-05**

(52) **U.S. Cl.**
USPC **D34/31**

(58) **Field of Classification Search**
USPC D34/28, 31; 254/89 R, 93 H, 134, 45,
254/418; 414/559, 534; D12/106
CPC B60S 9/22; B60S 9/06; B60S 9/02; B60S
9/12; B62F 3/0625; B62F 3/0612; B62F
3/0618; B62F 3/24; B62F 3/12; B62F
3/25; B62F 3/30; B62F 3/005; B66F 5/04
See application file for complete search history.

(56) **References Cited**

U.S. PATENT DOCUMENTS

3,093,362 A * 6/1963 Schaefer B60S 9/22
188/5
3,592,443 A * 7/1971 Budrow B60S 9/06
254/420
3,863,894 A * 2/1975 Mansi B60S 9/02
254/420
4,597,584 A * 7/1986 Hanser B60S 9/12
180/41
D298,676 S * 11/1988 Chambers D12/106
D327,764 S * 7/1992 Davis D34/31
D327,969 S * 7/1992 Budrow D34/31
D348,966 S * 7/1994 Guyton D34/28
D349,800 S * 8/1994 Chambers D12/106

OTHER PUBLICATIONS

Equalizer Systems, Equalizer Systems Hydraulic Jack Options,
<http://equalizersystems.com/equalizer-systems-hydraulic-jack-op-tions/>.

(Continued)

Primary Examiner — Cynthia Ramirez

(74) Attorney, Agent, or Firm — McDonald Hopkins LLC

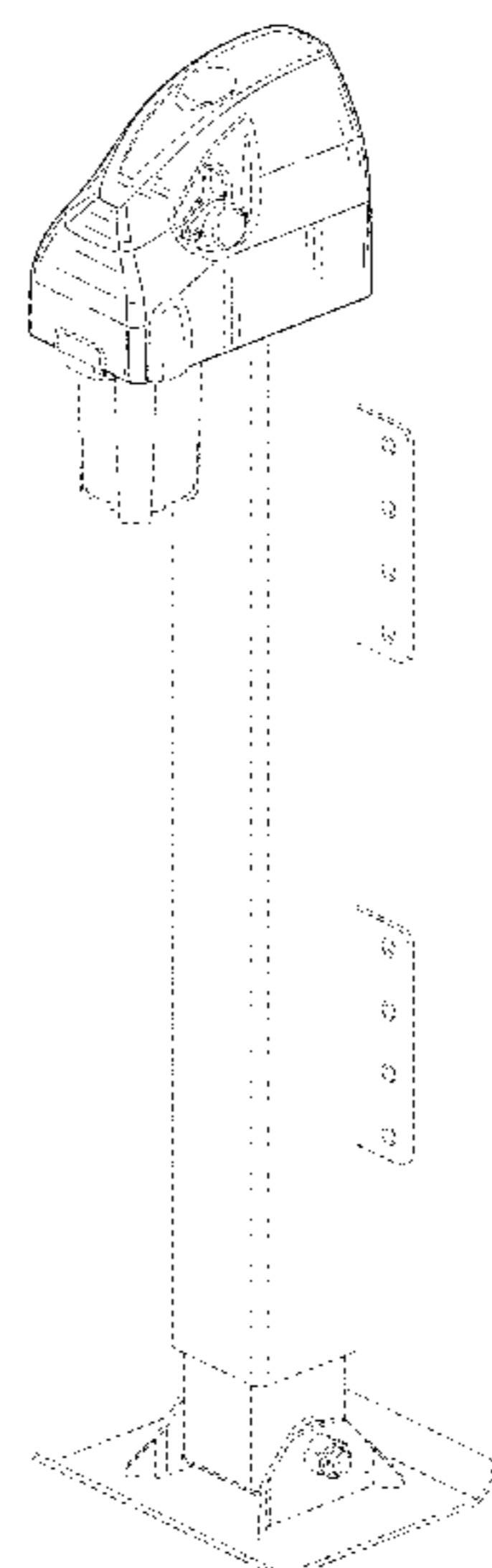
(57) **CLAIM**

The ornamental design for a large powered jack, as shown and described.

DESCRIPTION

FIG. 1 is a perspective view of a large powered jack assembly showing our new design;
FIG. 2 is a front view of the large powered jack assembly of FIG. 1;
FIG. 3 is a rear view of the large powered jack assembly of FIG. 1;
FIG. 4 is a first side view of the large powered jack assembly of FIG. 1;
FIG. 5 is a second side view of the large powered jack assembly of FIG. 1;
FIG. 6 is a top view of the large powered jack assembly of FIG. 1;
FIG. 7 is a bottom view of the large powered jack assembly of FIG. 1; and,
FIG. 8 is a perspective view of the large powered jack assembly of FIG. 1 in an extended position.
The broken lines in the figures are included for the purpose of showing portions of the large powered jack assembly and form no part of the claimed invention.

1 Claim, 7 Drawing Sheets



(56)

References Cited

U.S. PATENT DOCUMENTS

8,523,148 B2 9/2013 Beck et al.
D756,588 S * 5/2016 Angel D34/31

OTHER PUBLICATIONS

Bulldog, HD Square Jacks—12,000lbs., 2 pgs., <http://www.bulldogproducts.net/products/trailer-jacks/hd-square-jacks/hd-square-jacks-12-000-lbs-/>.

Nuera Trailerparts, 10K Atwood Duraleg Power Jack, 2 pgs., <https://www.nueratrailerparts.com/10k-atwood-duraleg-power-jack.html>.

* cited by examiner

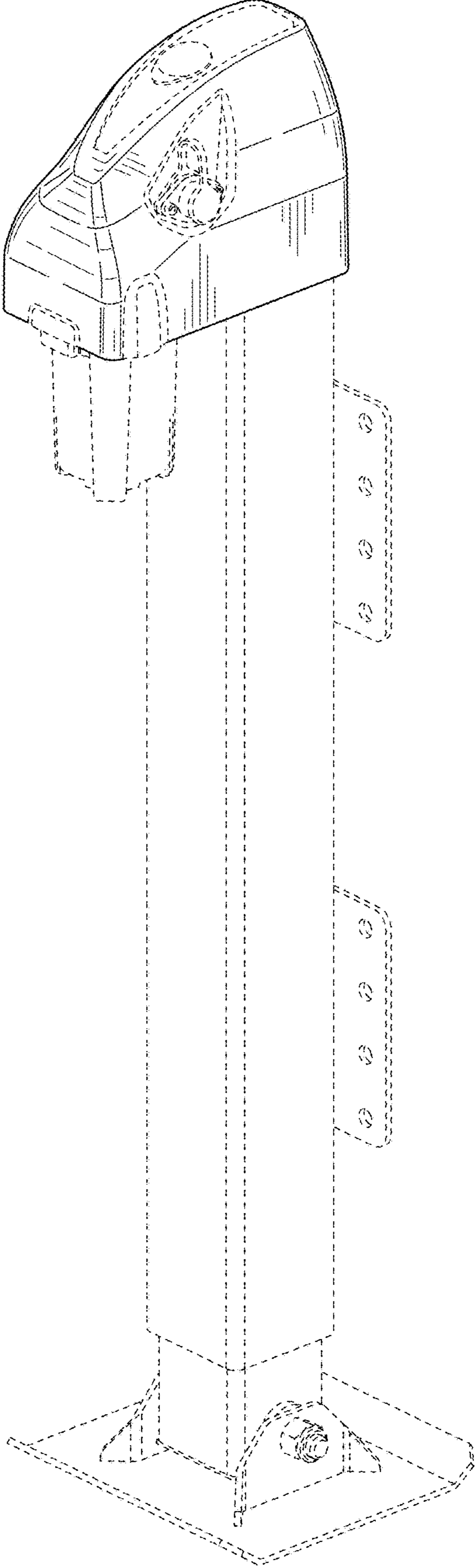


FIG. 1

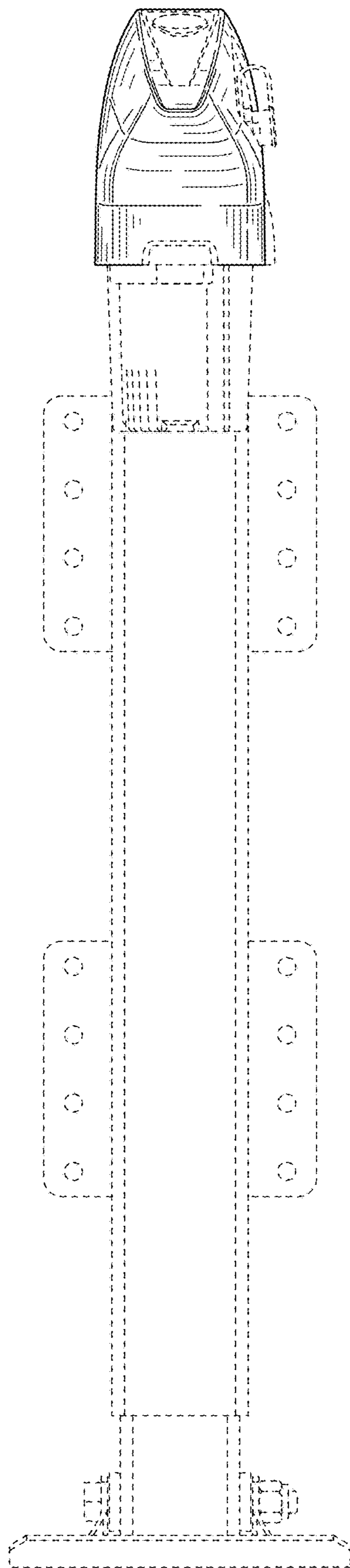


FIG. 2

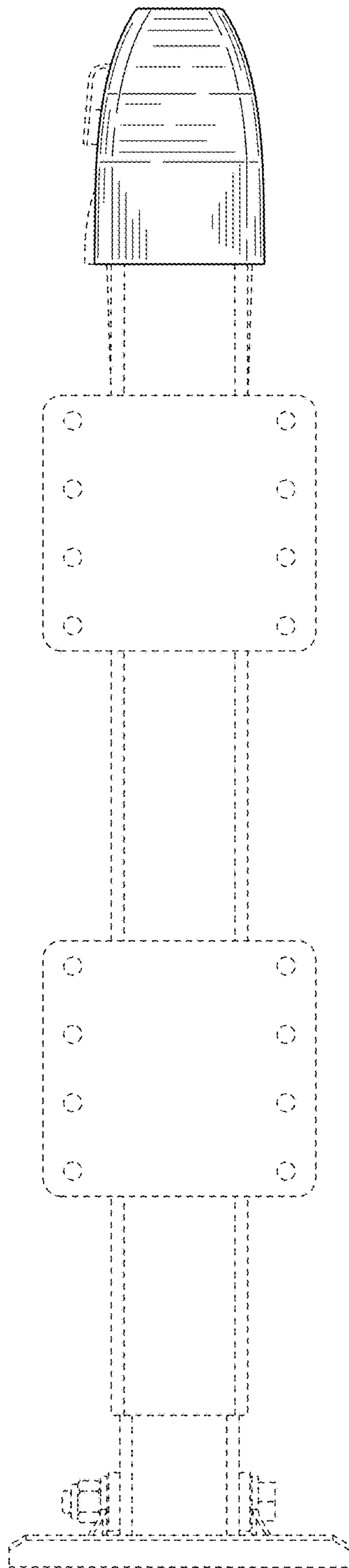


FIG. 3

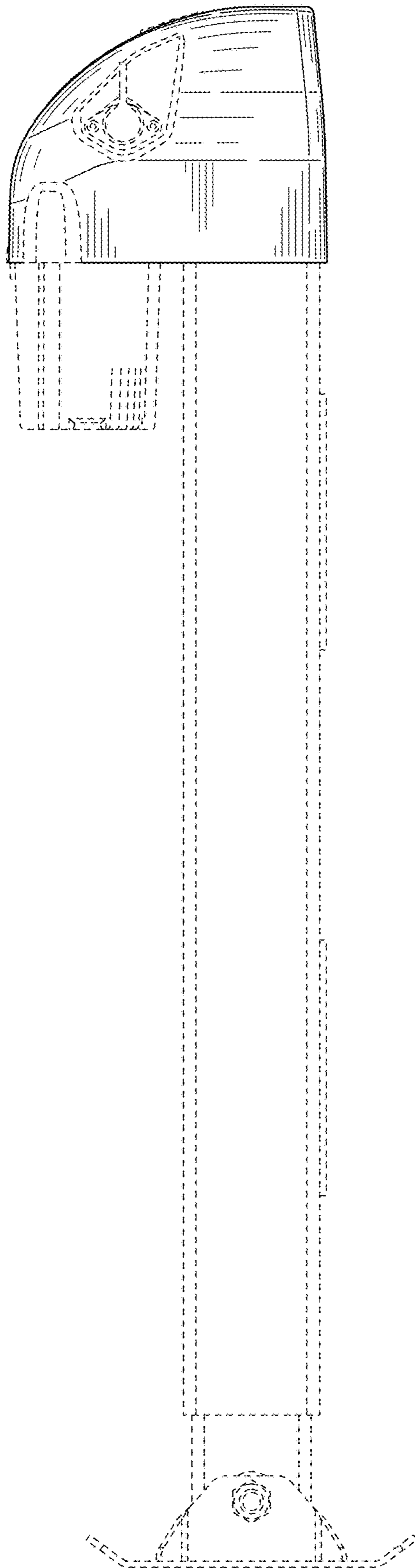


FIG. 4

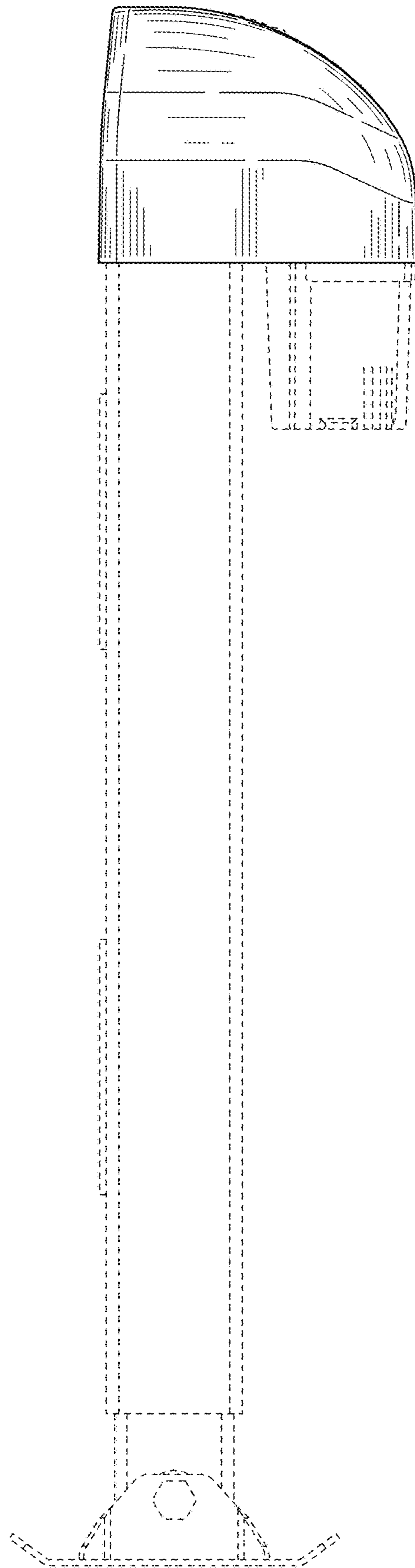


FIG. 5

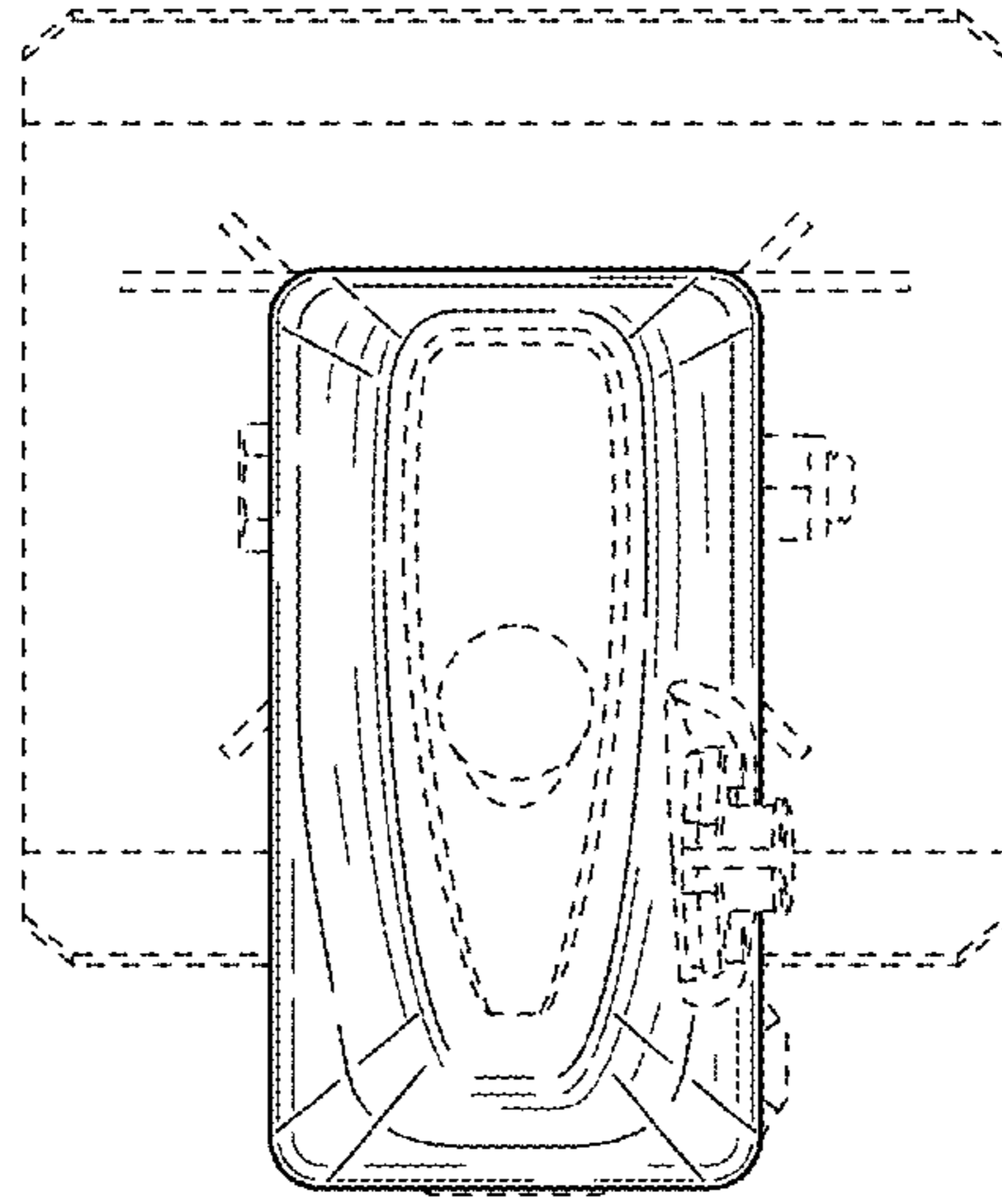


FIG. 6

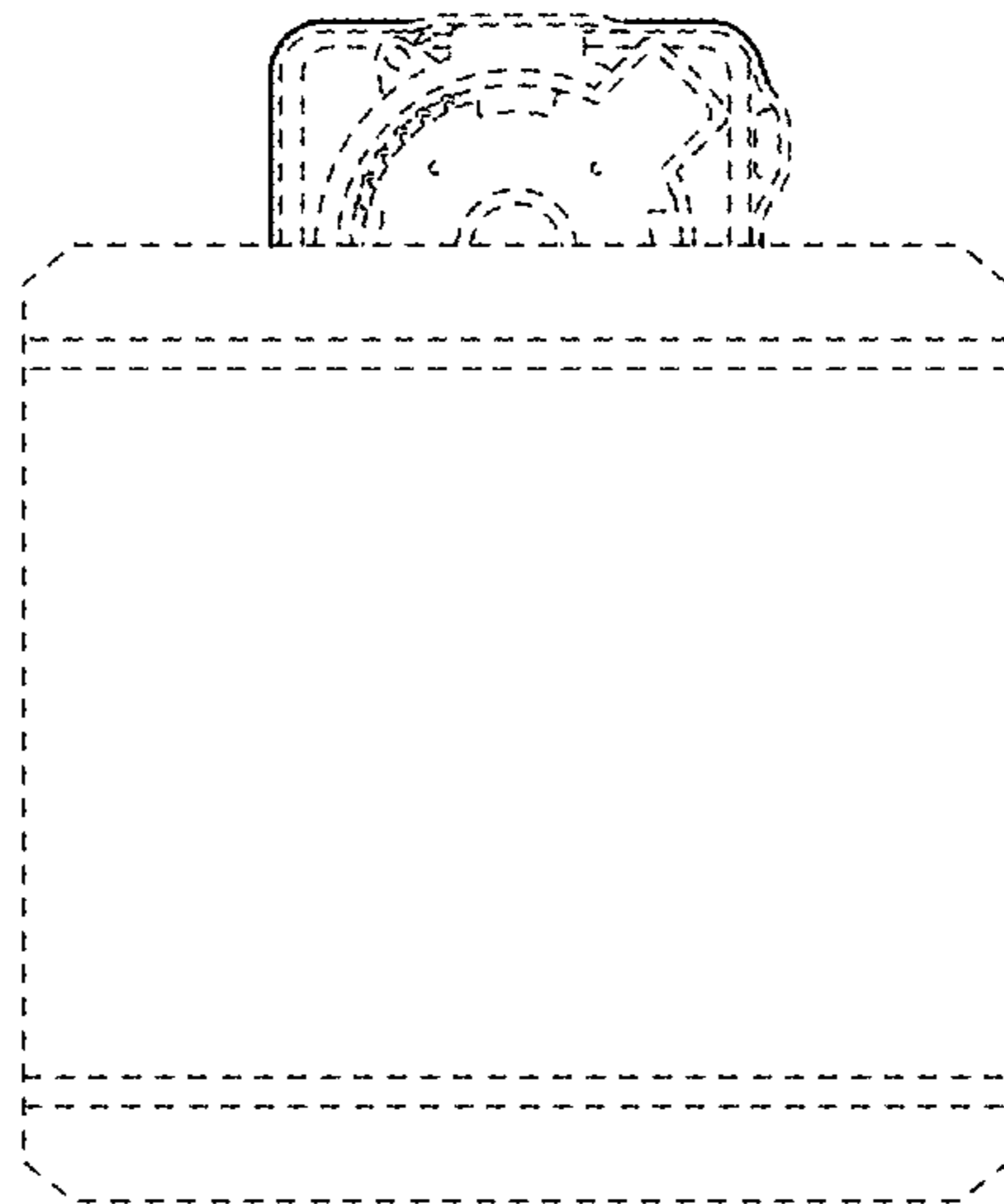


FIG. 7

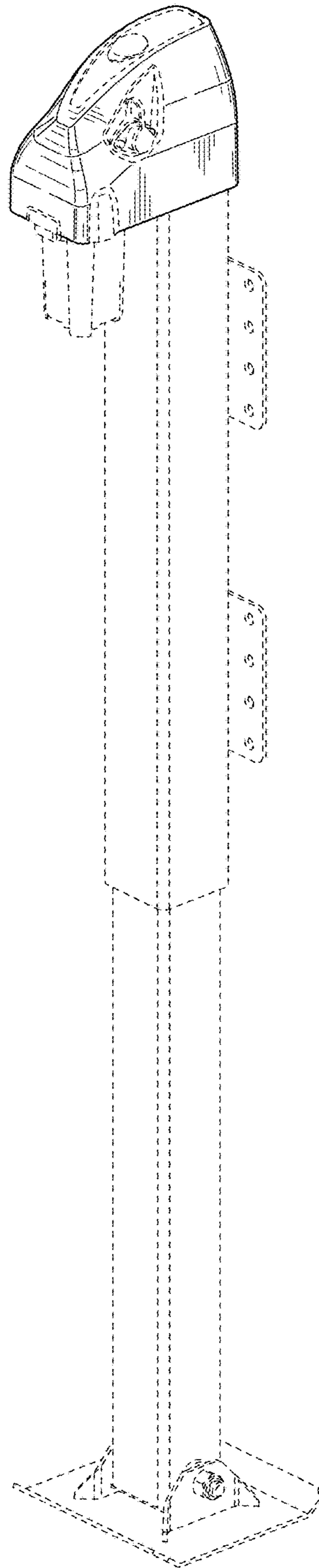


FIG. 8