



US00D790795S

(12) **United States Design Patent** (10) **Patent No.:** **US D790,795 S**  
**Barenbrug** (45) **Date of Patent:** **\*\* Jun. 27, 2017**

- (54) **SUITCASE CARRIER** 7,398,990 B2 \* 7/2008 Tsai ..... B62B 1/125  
280/47.18
- (71) Applicant: **Royalty Bugaboo GmbH, Zug (CH)** D585,622 S \* 1/2009 Allsop ..... D34/24
- (72) Inventor: **Max Barenbrug, Amsterdam (NL)** D677,034 S \* 2/2013 Chang ..... D34/24
- (73) Assignee: **Royalty Bugaboo GmbH, Zug (CH)** D702,010 S \* 4/2014 Wang ..... D34/15
- D708,411 S \* 7/2014 Schnautz ..... D34/14
- D713,113 S \* 9/2014 Hsieh ..... D34/27
- (\*\*) Term: **15 Years** 2004/0046342 A1 \* 3/2004 Lin ..... B62B 1/12  
280/47.17

(Continued)

- (21) Appl. No.: **29/530,920**
- (22) Filed: **Jun. 22, 2015**

*Primary Examiner* — Cynthia Ramirez  
(74) *Attorney, Agent, or Firm* — Fross Zelnick Lehrman & Zissu P.C.; Charles T. J. Weigell Esq.; Lawrence E. Apolzon Esq.

**Related U.S. Application Data**

- (63) Continuation of application No. 29/481,657, filed on Feb. 7, 2014, now abandoned.
- (51) **LOC (10) Cl.** ..... **12-02**
- (52) **U.S. Cl.**  
USPC ..... **D34/17**
- (58) **Field of Classification Search**  
USPC ..... D34/12-27; 280/47.26, 655, 654, 47.18,  
280/47.29, 47.28  
CPC .. B62B 1/10; B62B 1/12; B62B 1/042; B62B  
2202/404; B65F 1/1468  
See application file for complete search history.

(57) **CLAIM**

The ornamental design for a suitcase carrier, as shown and described.

**DESCRIPTION**

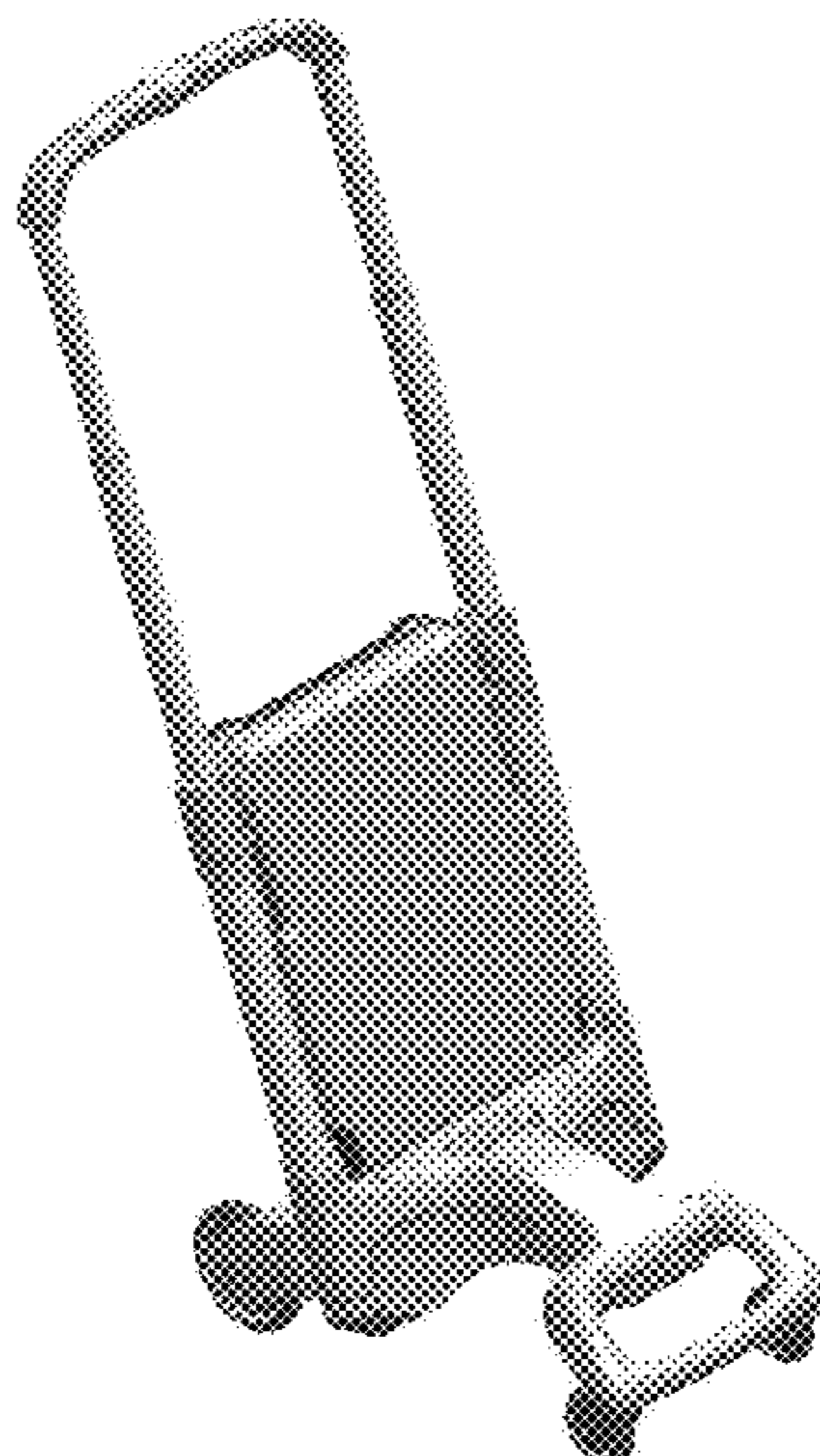
(56) **References Cited**

**U.S. PATENT DOCUMENTS**

- 4,784,405 A \* 11/1988 Stein ..... B62B 1/12  
280/47.29
- D365,187 S \* 12/1995 Tsai ..... D34/24
- D366,549 S \* 1/1996 Yu ..... D34/24
- 6,053,515 A \* 4/2000 Kelley ..... B62B 1/12  
280/47.18
- D454,997 S \* 3/2002 Matre ..... D34/24
- D479,761 S \* 9/2003 Tsai ..... D34/24
- D482,170 S \* 11/2003 Yang ..... D34/15
- D522,708 S \* 6/2006 Chang ..... D34/24
- D553,325 S \* 10/2007 Miller ..... D34/24
- D558,948 S \* 1/2008 Miller ..... D34/24

FIG. 1 is a front perspective view of a suitcase carrier showing my new design;  
FIG. 2 is a front view thereof;  
FIG. 3 is a rear view thereof;  
FIG. 4 is a left side view thereof;  
FIG. 5 is a right side view thereof;  
FIG. 6 is a top view thereof;  
FIG. 7 is a rear view thereof;  
FIG. 8 is a front perspective view of the suitcase carrier shown in an open position;  
FIG. 9 is a front view thereof;  
FIG. 10 is a rear view thereof;  
FIG. 11 is a left side view thereof;  
FIG. 12 is a right side view thereof;  
FIG. 13 is a top view thereof; and,  
FIG. 14 is a bottom view thereof.  
The broken line of the portion of the base of the suitcase carrier forms no part of the claimed design.

**1 Claim, 14 Drawing Sheets**



(56)

**References Cited**

U.S. PATENT DOCUMENTS

2004/0108667 A1\* 6/2004 Tsai ..... B62B 1/12  
280/40  
2004/0201188 A1\* 10/2004 Sadow ..... B60B 37/10  
280/47.26

\* cited by examiner

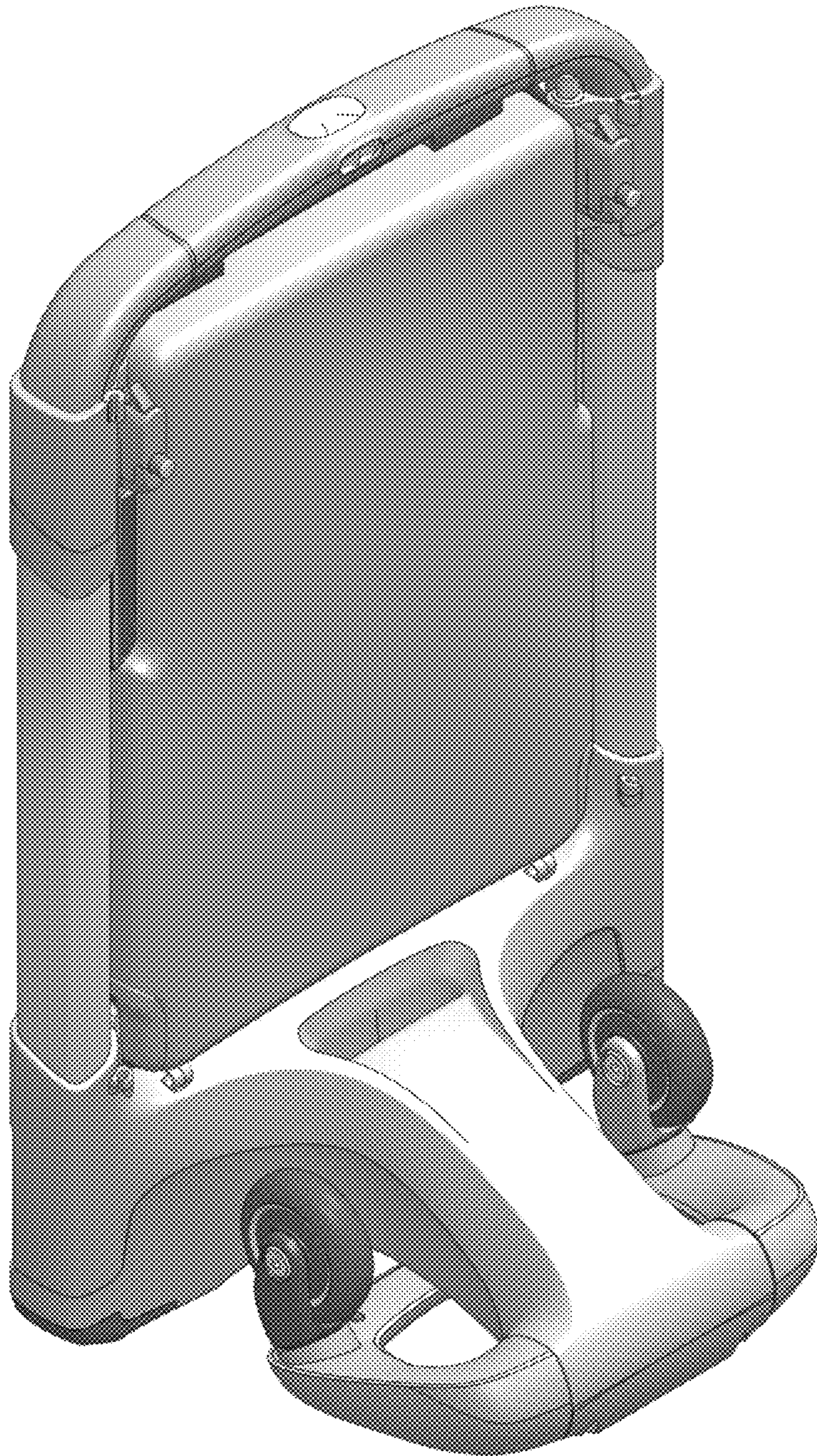


FIG. 1



FIG. 2



FIG. 3

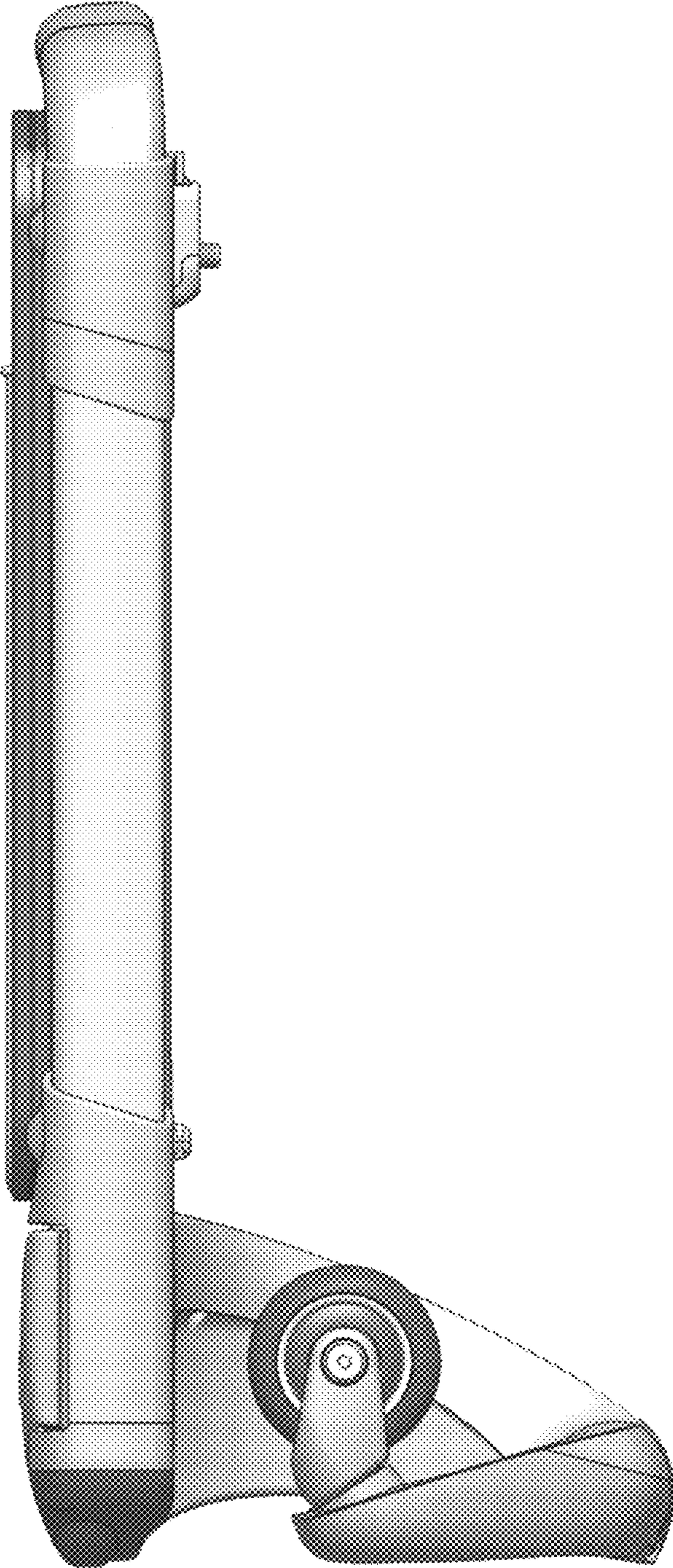


FIG. 4

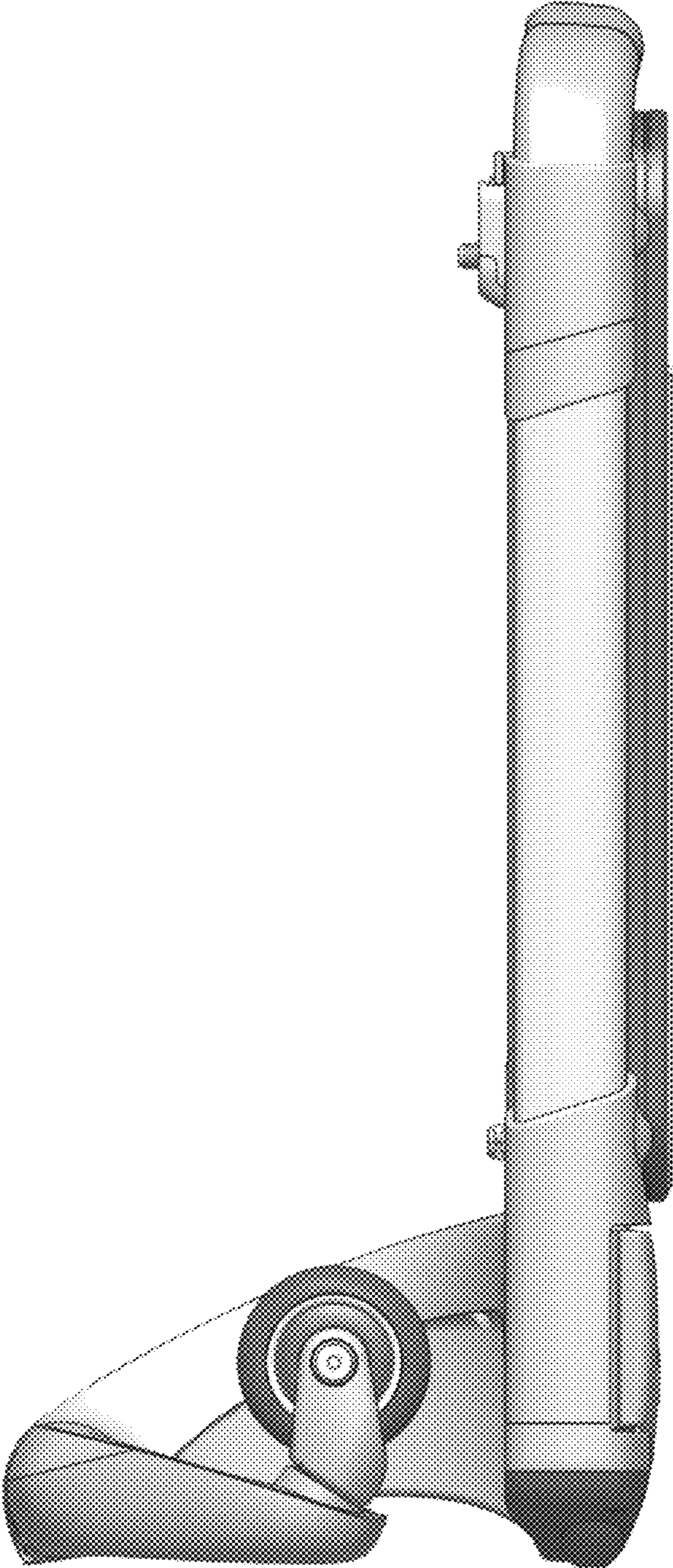


FIG. 5

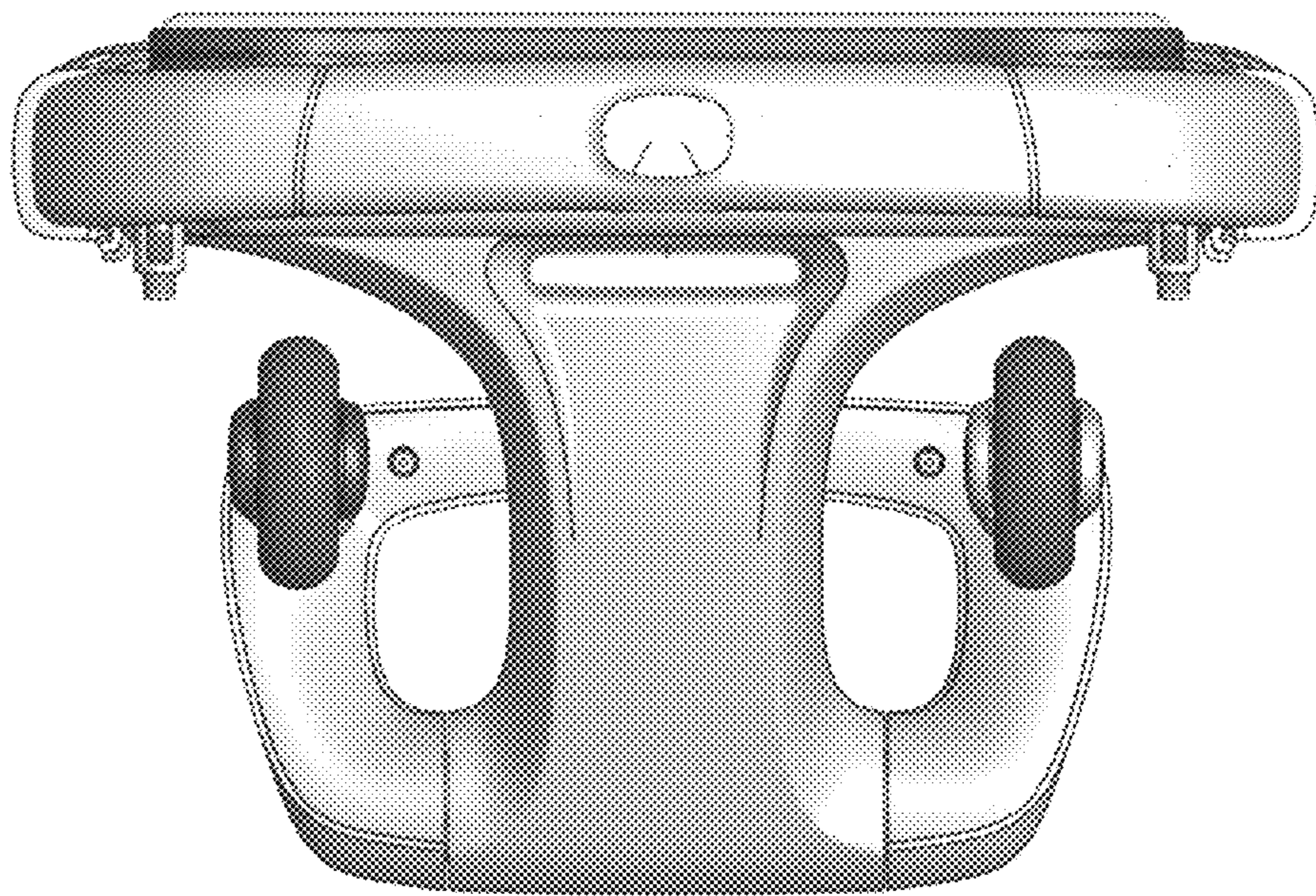


FIG. 6



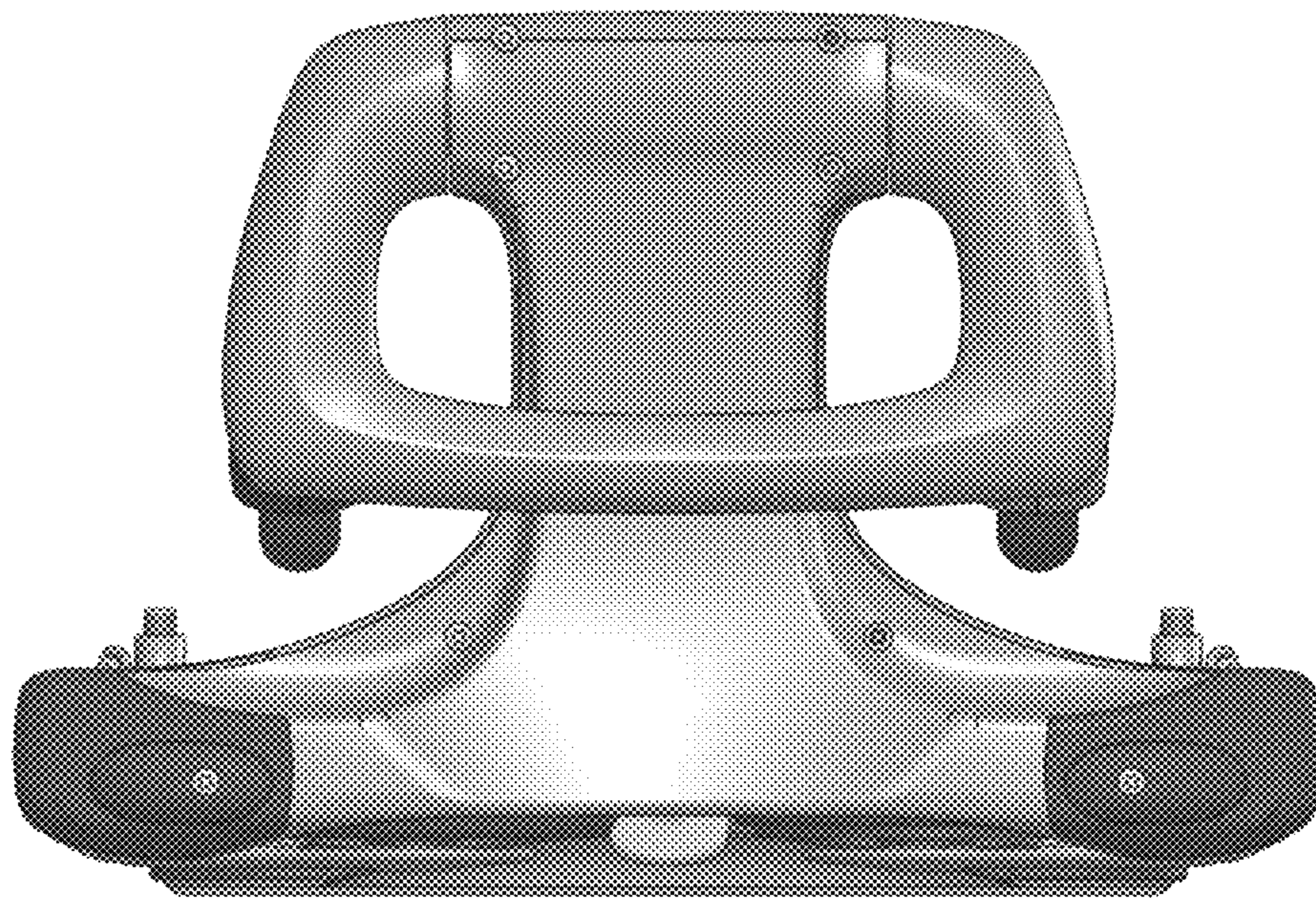


FIG. 7



FIG. 8

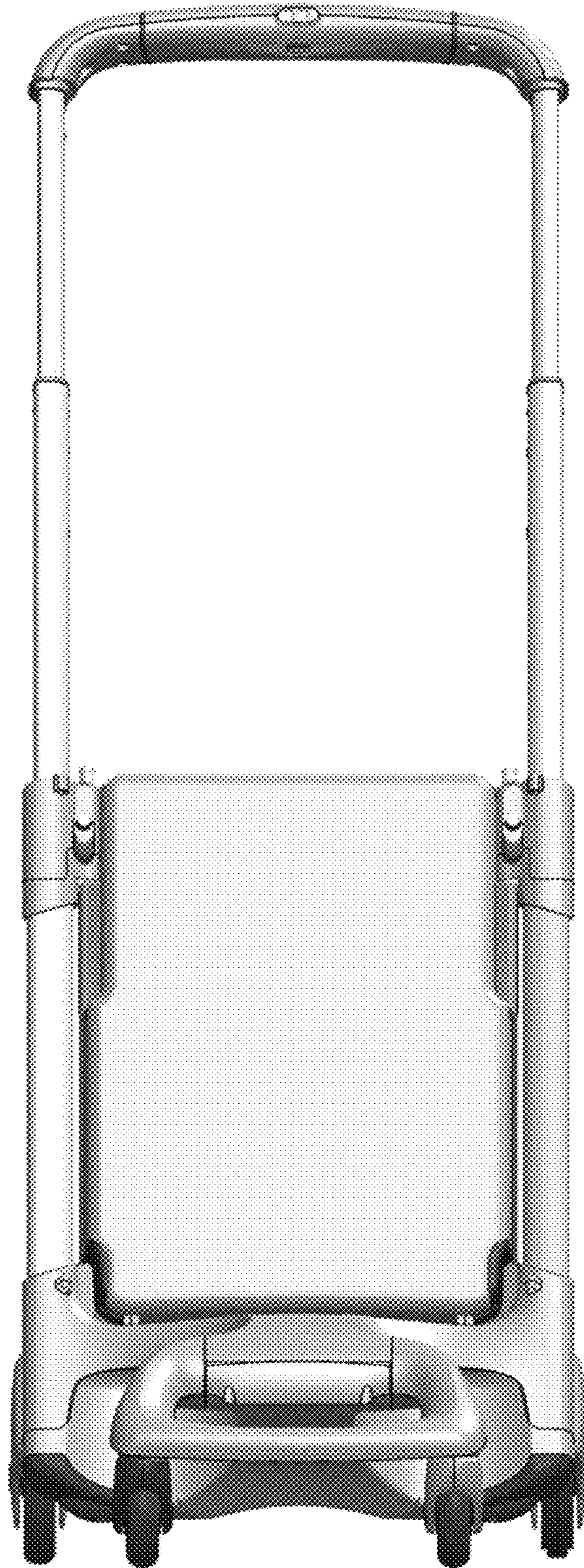


FIG. 9

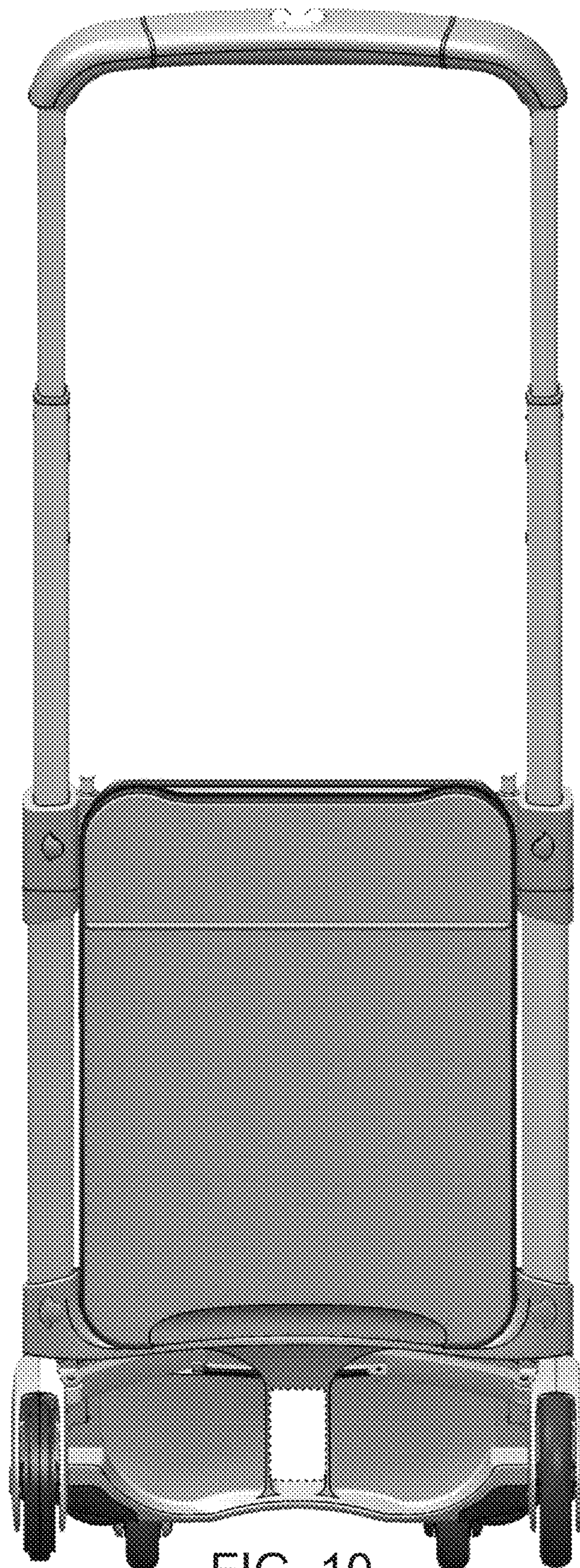


FIG. 10



FIG. 11



FIG. 12

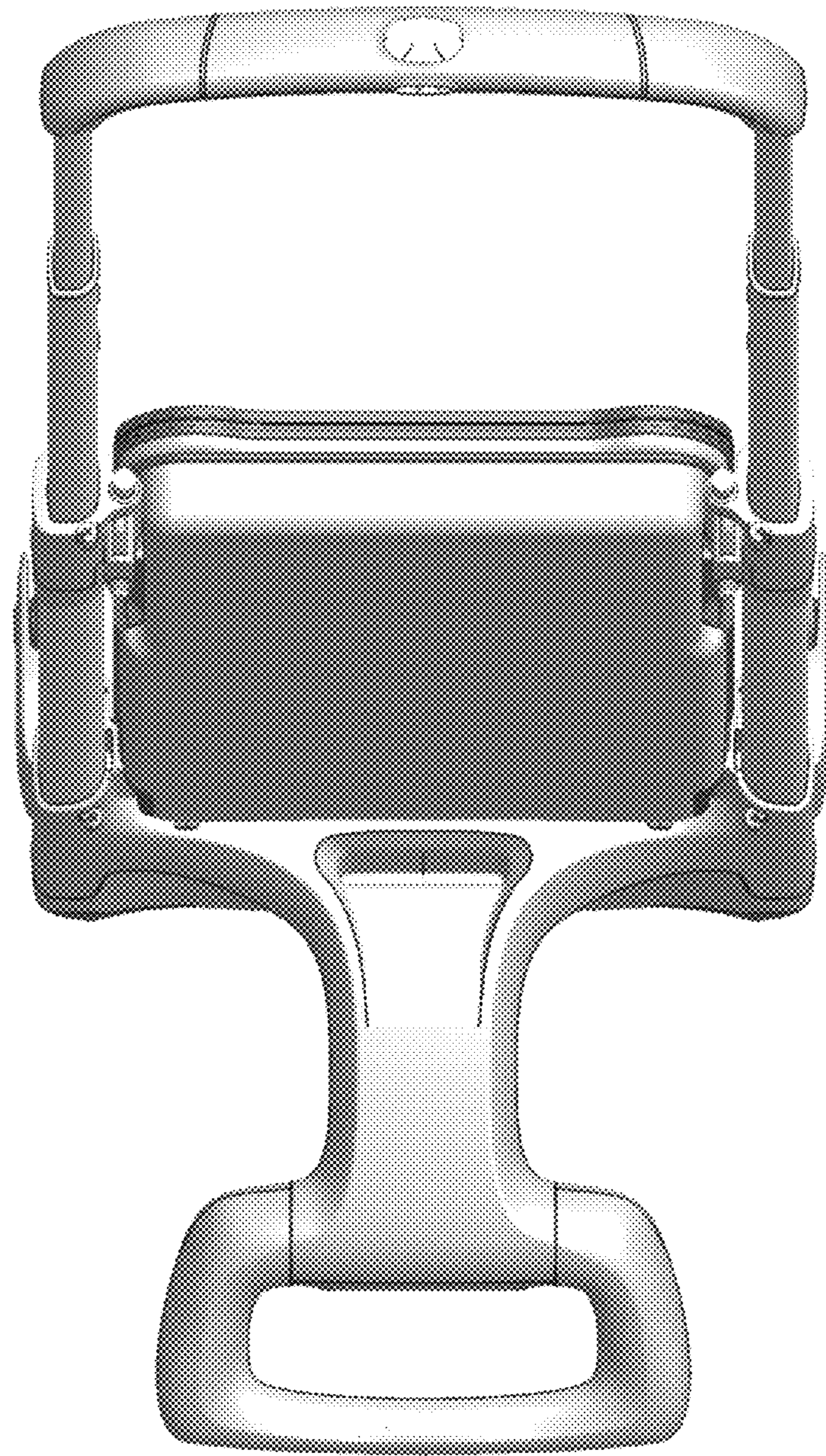


FIG. 13

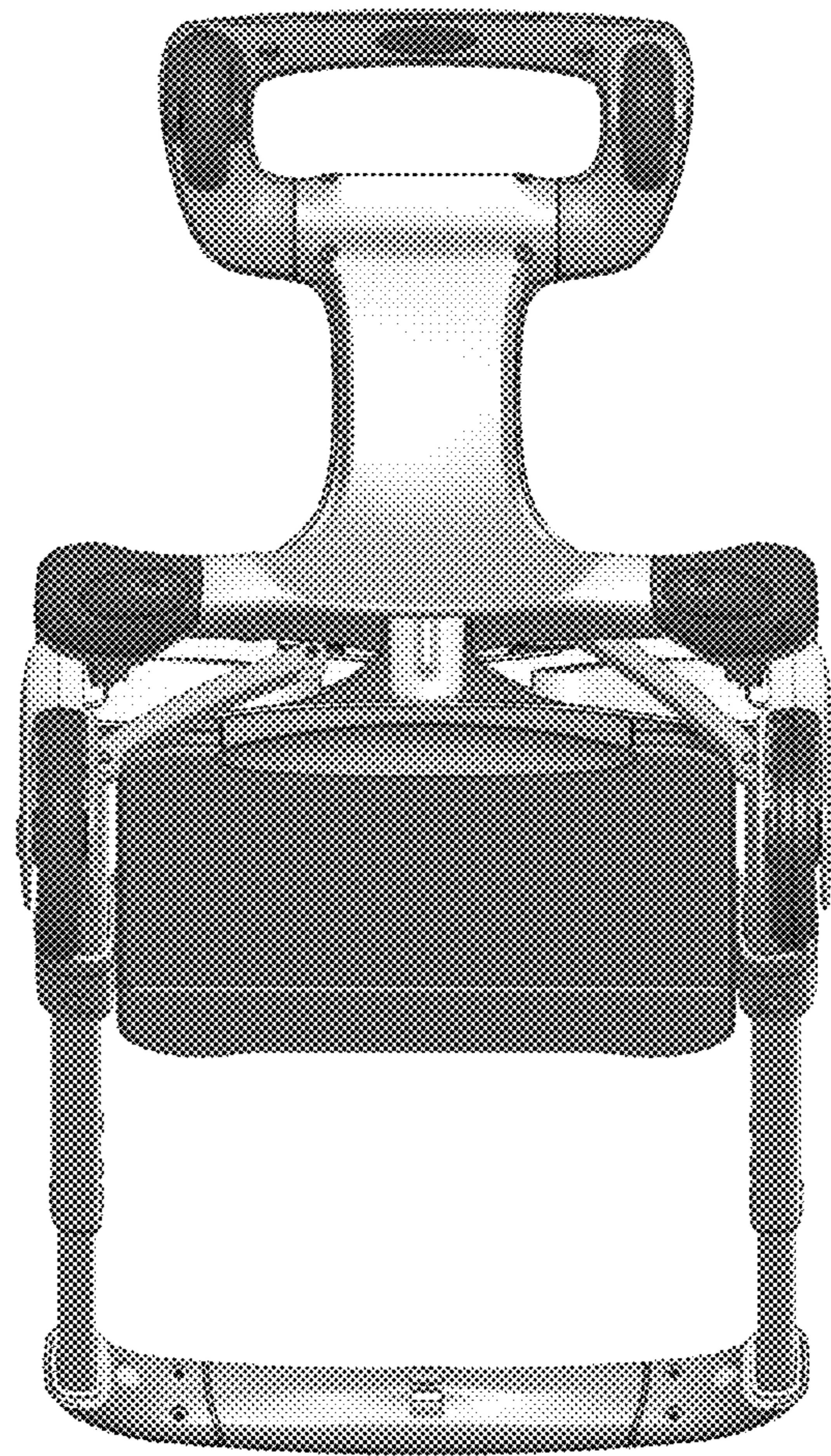


FIG. 14