



US00D790794S

(12) **United States Design Patent**  
**Spadotto**

(10) **Patent No.:** **US D790,794 S**  
(45) **Date of Patent:** **\*\* Jun. 27, 2017**

- (54) **CONTAINER**
- (71) Applicant: **ABM ITALIA S.P.A.**, Ormelle (IT)
- (72) Inventor: **Lucio Spadotto**, Oderzo (IT)
- (73) Assignee: **ABM ITALIA S.P.A.**, Ormelle (IT)
- (\*\*) Term: **14 Years**
- (21) Appl. No.: **29/501,584**
- (22) Filed: **Sep. 5, 2014**
- (30) **Foreign Application Priority Data**

Mar. 5, 2014 (EM) ..... 2418491-0009  
 Mar. 5, 2014 (EM) ..... 2418491-0012

- (51) **LOC (10) Cl.** ..... **09-09**
- (52) **U.S. Cl.**  
USPC ..... **D34/9**
- (58) **Field of Classification Search**  
USPC ..... D34/1-11; 220/908-913, 262-264, 315  
CPC ..... B65F 1/1615; B65F 1/163; B65F 1/00  
See application file for complete search history.

(56) **References Cited**

**U.S. PATENT DOCUMENTS**

- D489,856 S \* 5/2004 Yang et al. .... D34/9
- D489,857 S \* 5/2004 Yang et al. .... D34/9
- D537,999 S \* 3/2007 Lin ..... D34/9
- D539,498 S \* 3/2007 Yang et al. .... D34/9
- D550,917 S \* 9/2007 Yang et al. .... D34/9
- D578,722 S \* 10/2008 Yang et al. .... D34/9

- D581,622 S \* 11/2008 Presnell et al. .... D34/9
- D611,216 S \* 3/2010 Yang et al. .... D34/7
- D629,579 S \* 12/2010 Lin ..... D34/9
- D632,864 S \* 2/2011 Yang et al. .... D34/9
- D635,319 S \* 3/2011 Meyerhoffer ..... D34/7
- D725,861 S \* 3/2015 Yang et al. .... D34/7

\* cited by examiner

*Primary Examiner* — Cynthia Ramirez

*Assistant Examiner* — Gino Colan

(74) *Attorney, Agent, or Firm* — Flaster/Greenberg P.C.

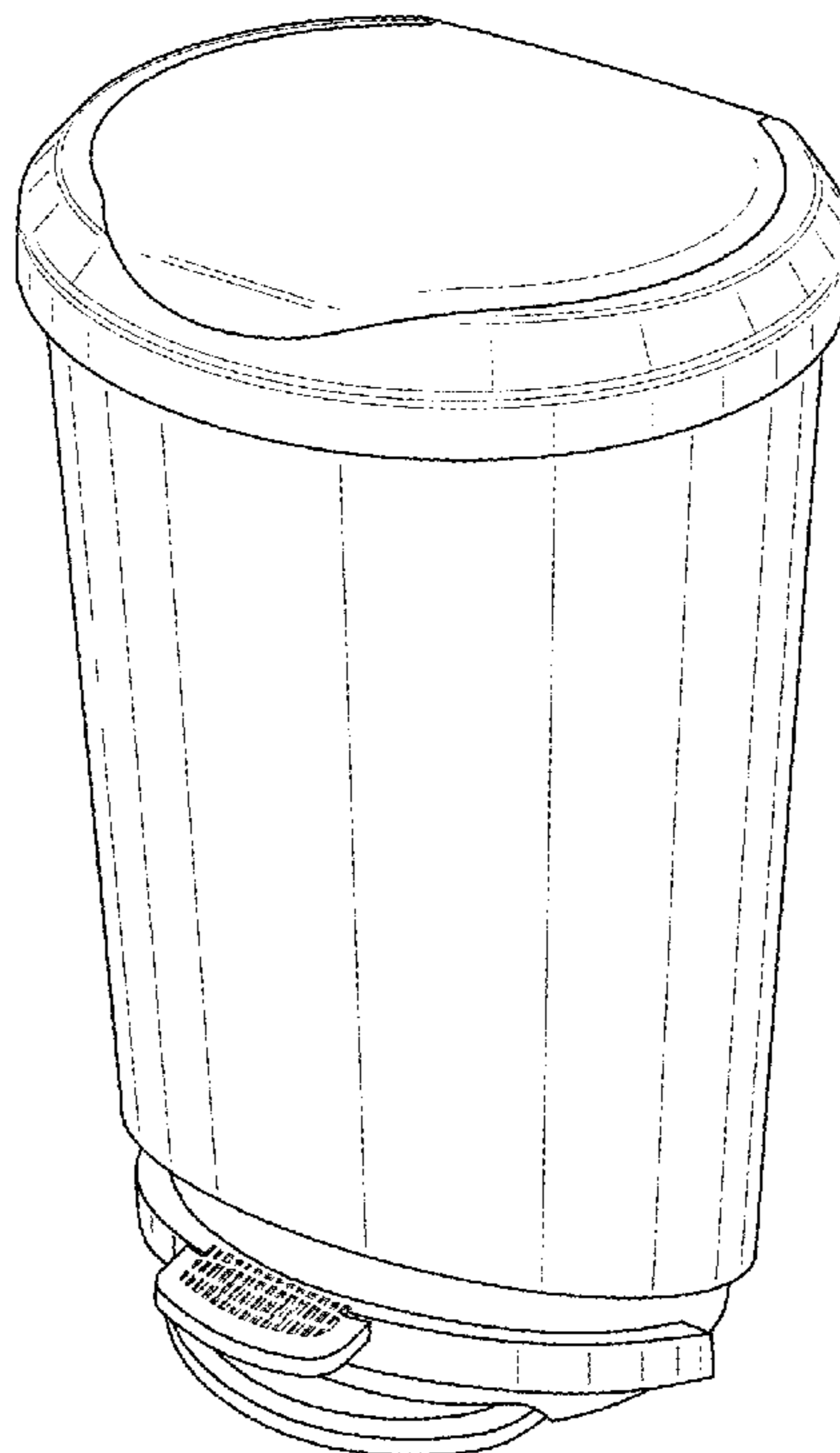
(57) **CLAIM**

The ornamental design for a container, as shown and described.

**DESCRIPTION**

FIG. 1 is a perspective view of first embodiment of a container;  
 FIG. 2 is a front elevational view of the container of FIG. 1;  
 FIG. 3 is a rear elevational view of the container of FIG. 1;  
 FIG. 4 is a right side view of the container of FIG. 1;  
 FIG. 5 is a left side view of the container of FIG. 1;  
 FIG. 6 is a top plan view of the container of FIG. 1;  
 FIG. 7 is a perspective view of second embodiment of a container;  
 FIG. 8 is a front elevational view of the container of FIG. 7;  
 FIG. 9 is a rear elevational view of the container of FIG. 7;  
 FIG. 10 is a right side view of the container of FIG. 7;  
 FIG. 11 is a top plan view of the container of FIG. 8; and,  
 FIG. 12 is a detailed perspective view of the upper portion of the container of FIG. 7.

**1 Claim, 12 Drawing Sheets**



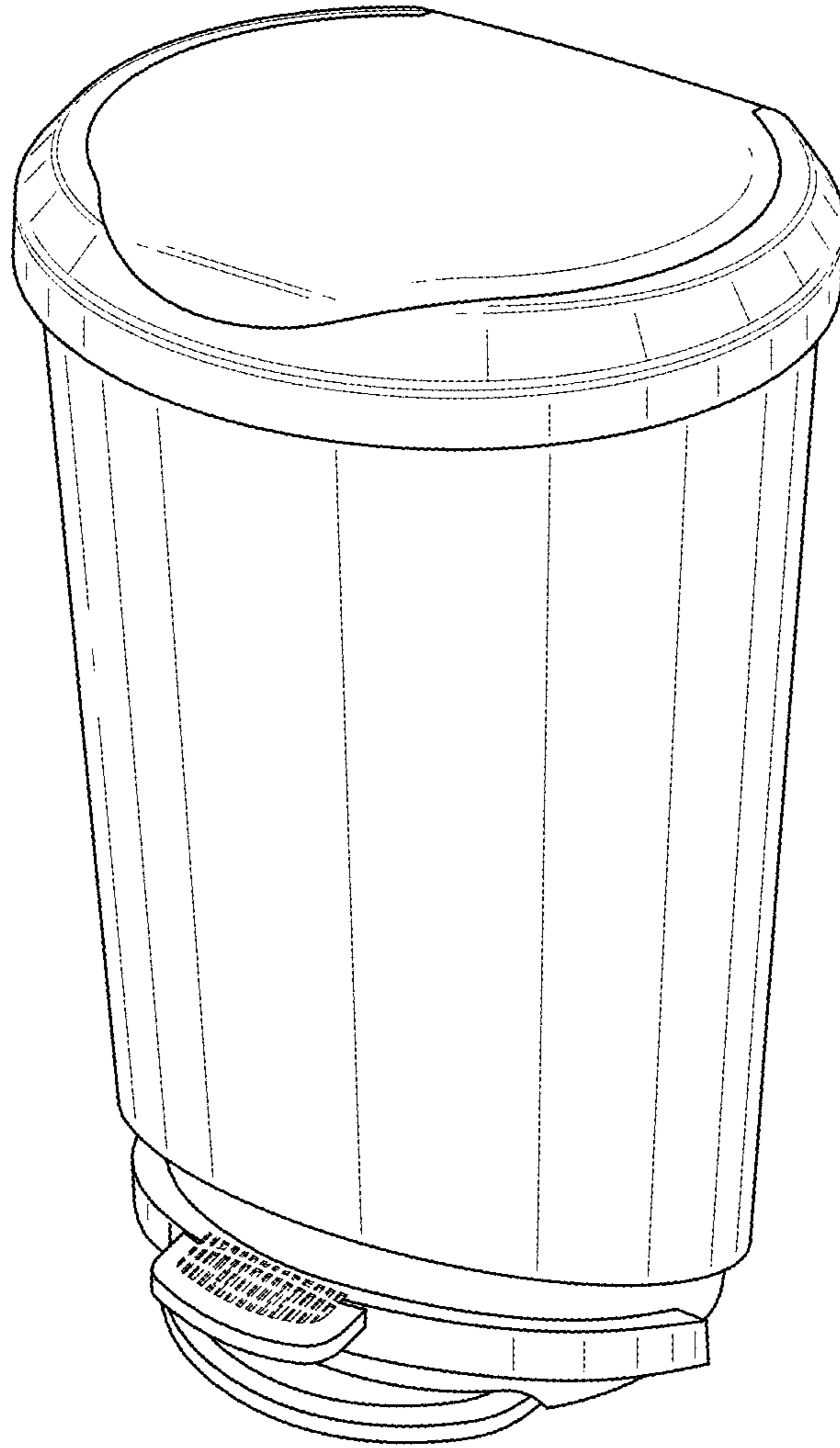


FIG. 1

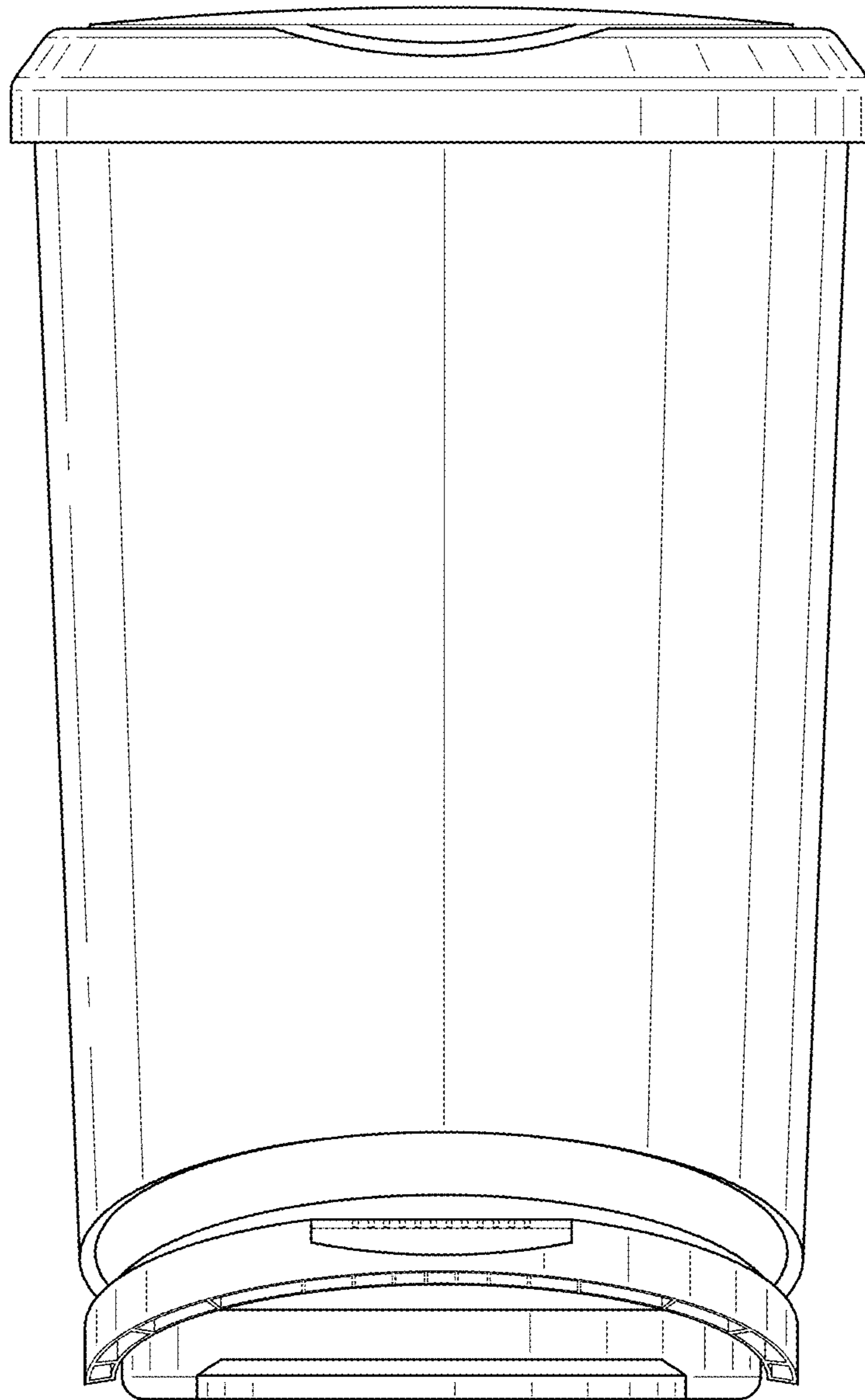


FIG. 2

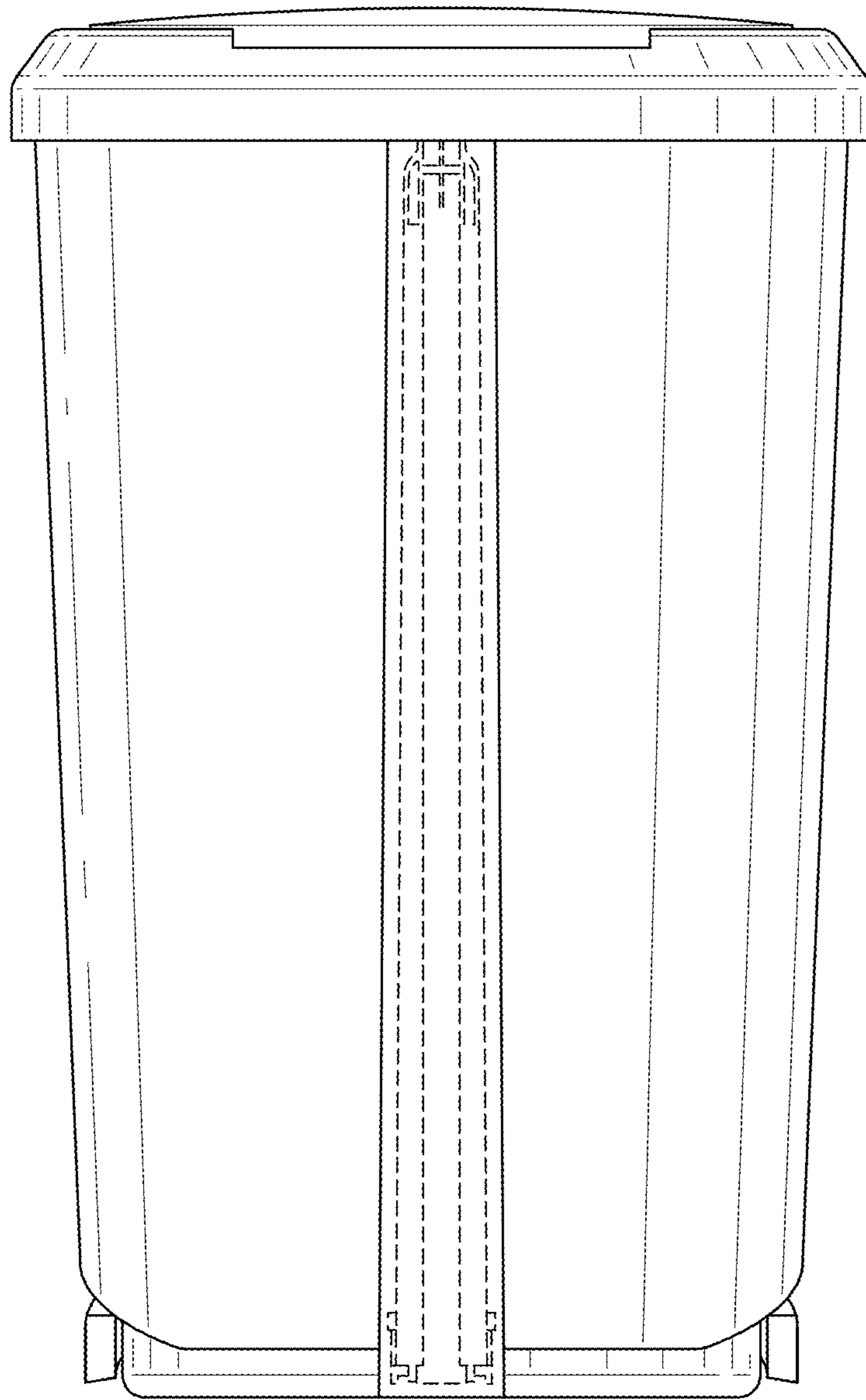


FIG. 3

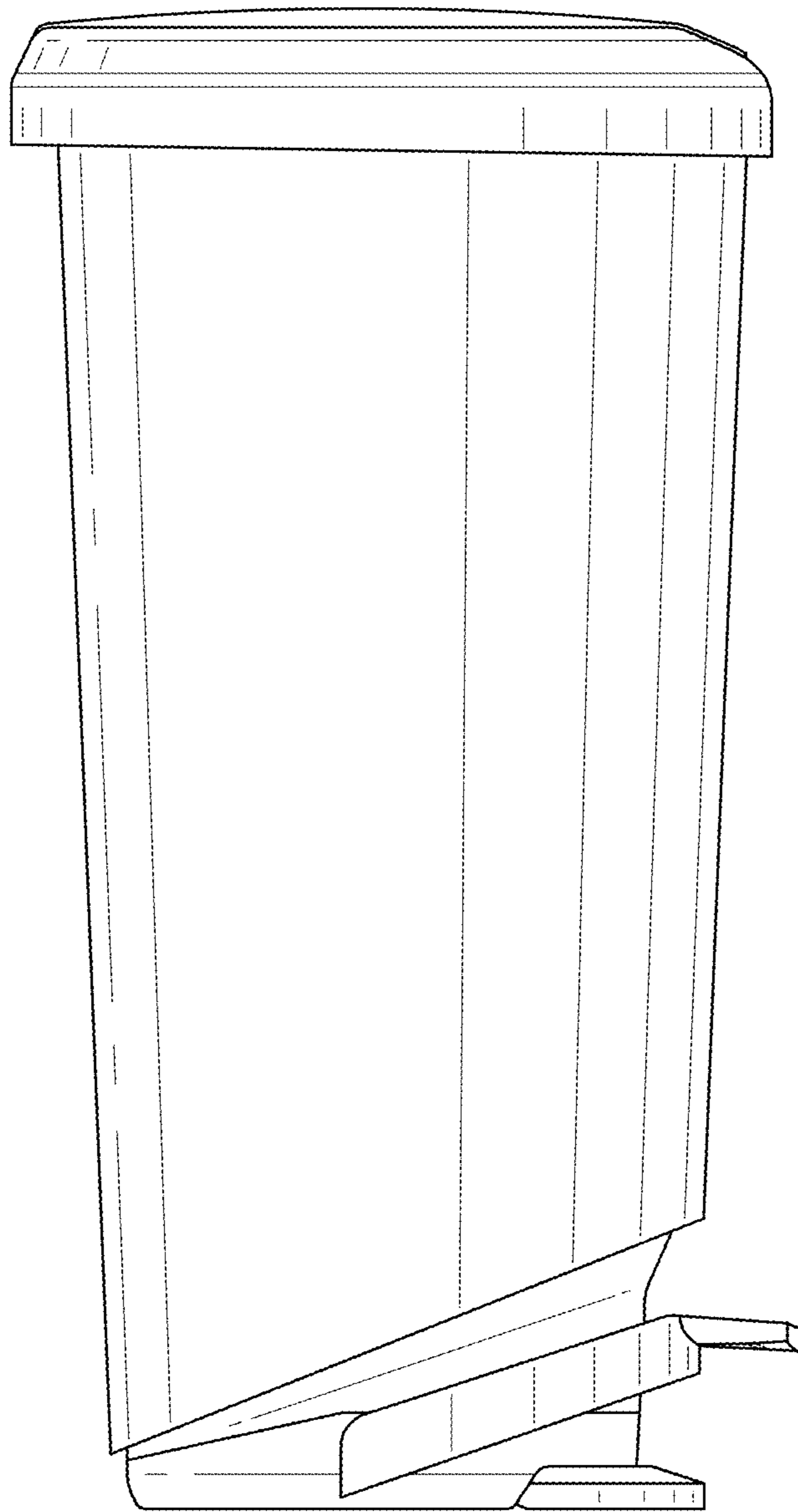


FIG. 4

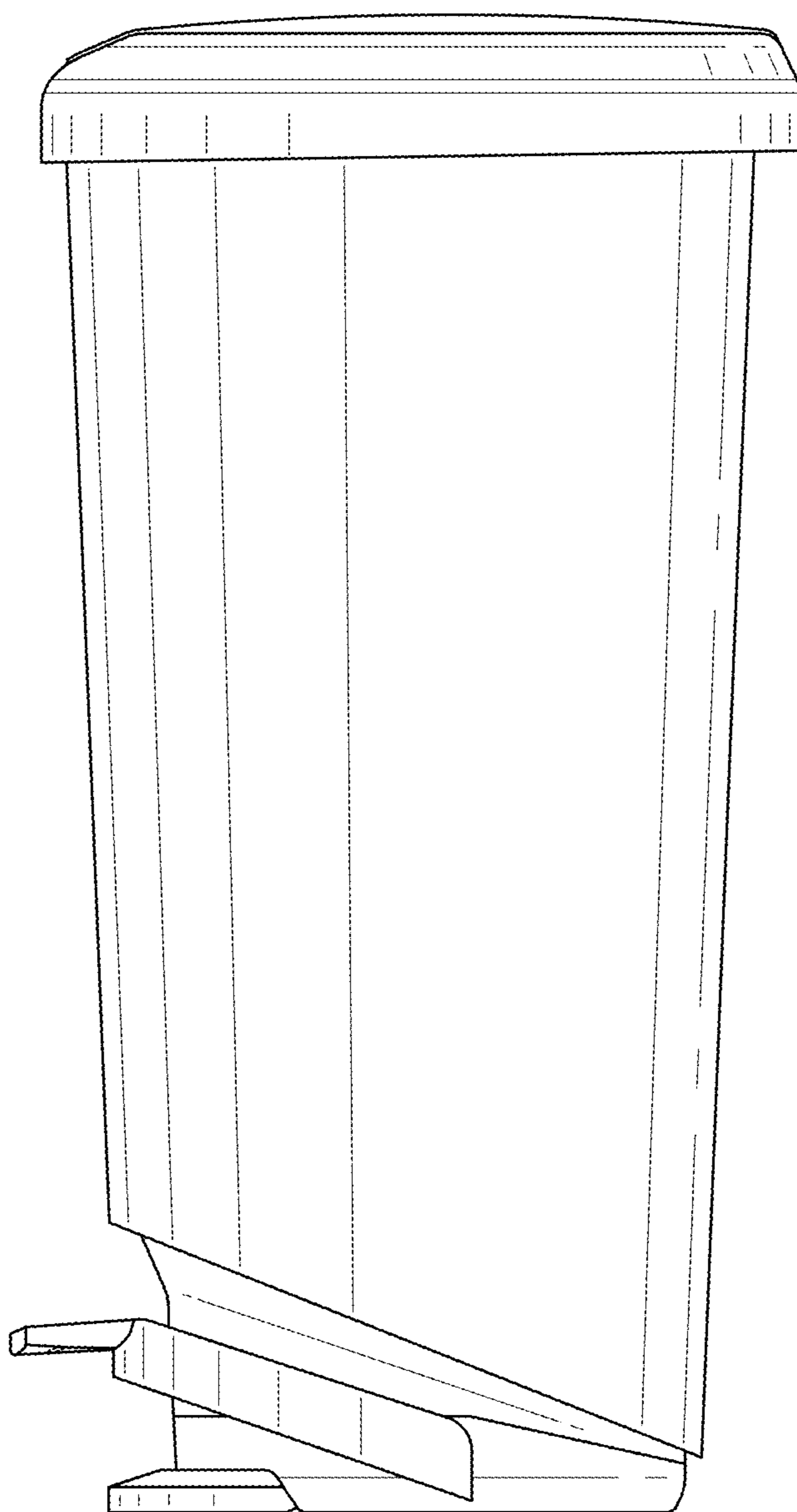


FIG.5

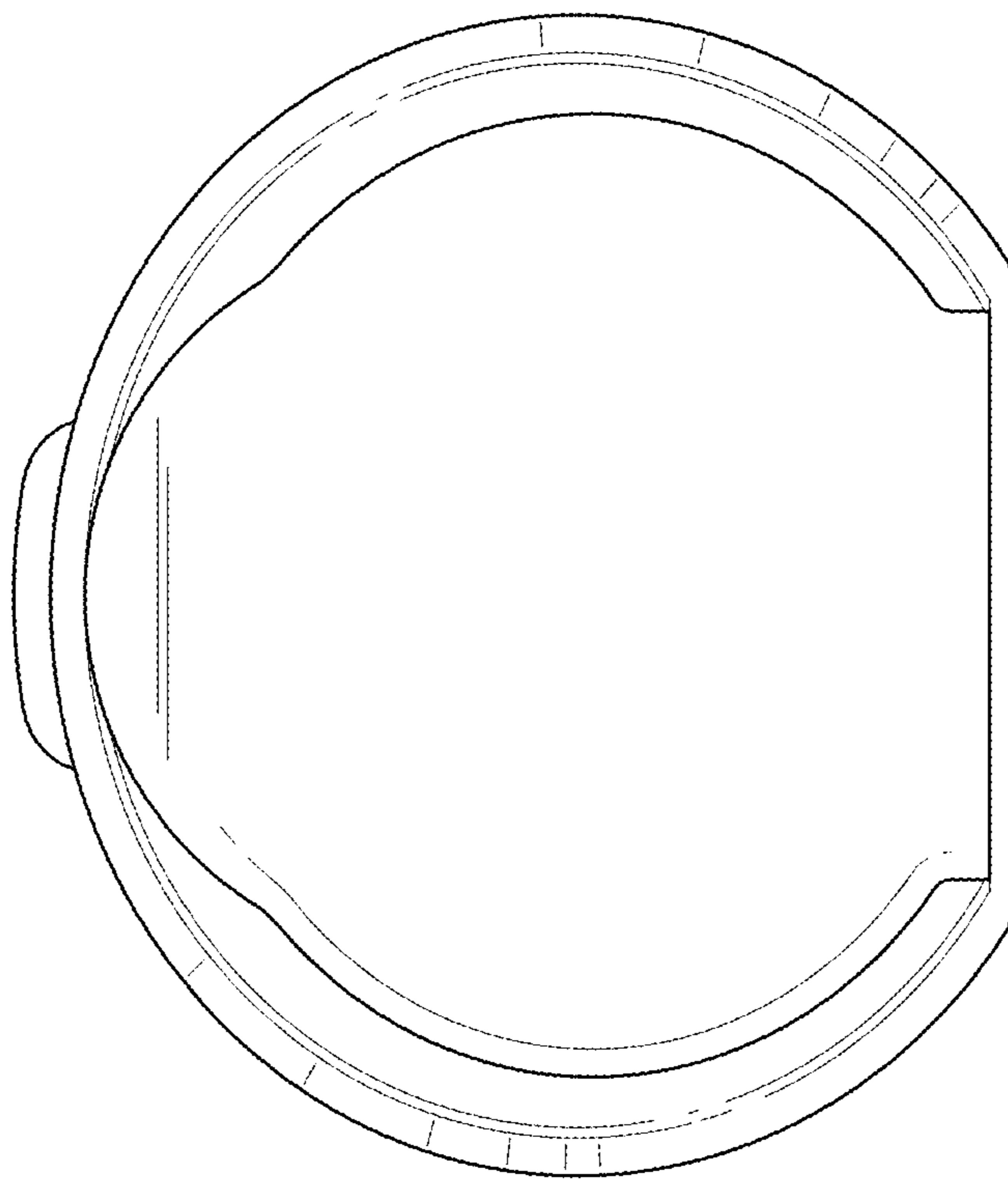


FIG.6

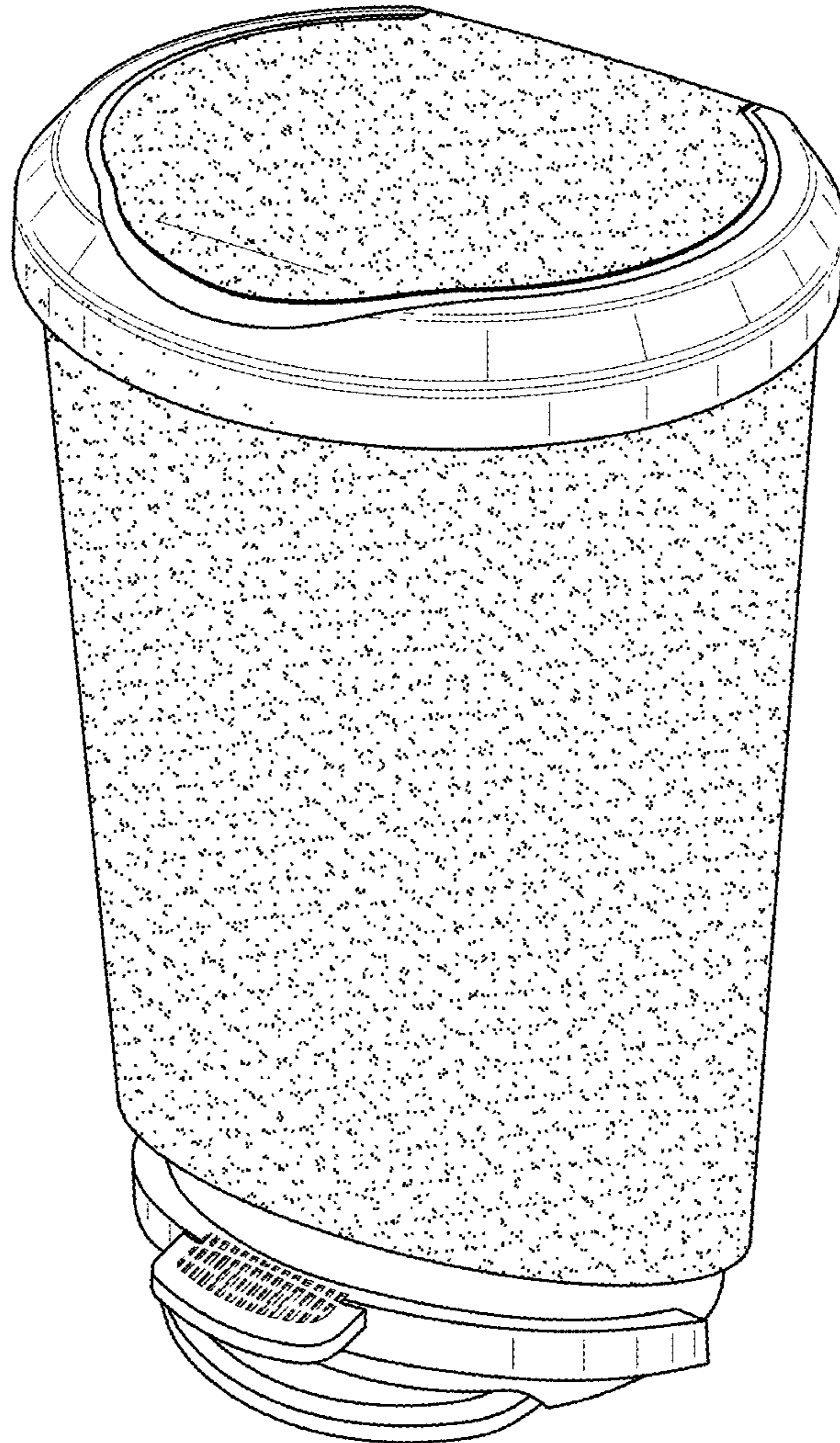


FIG. 7



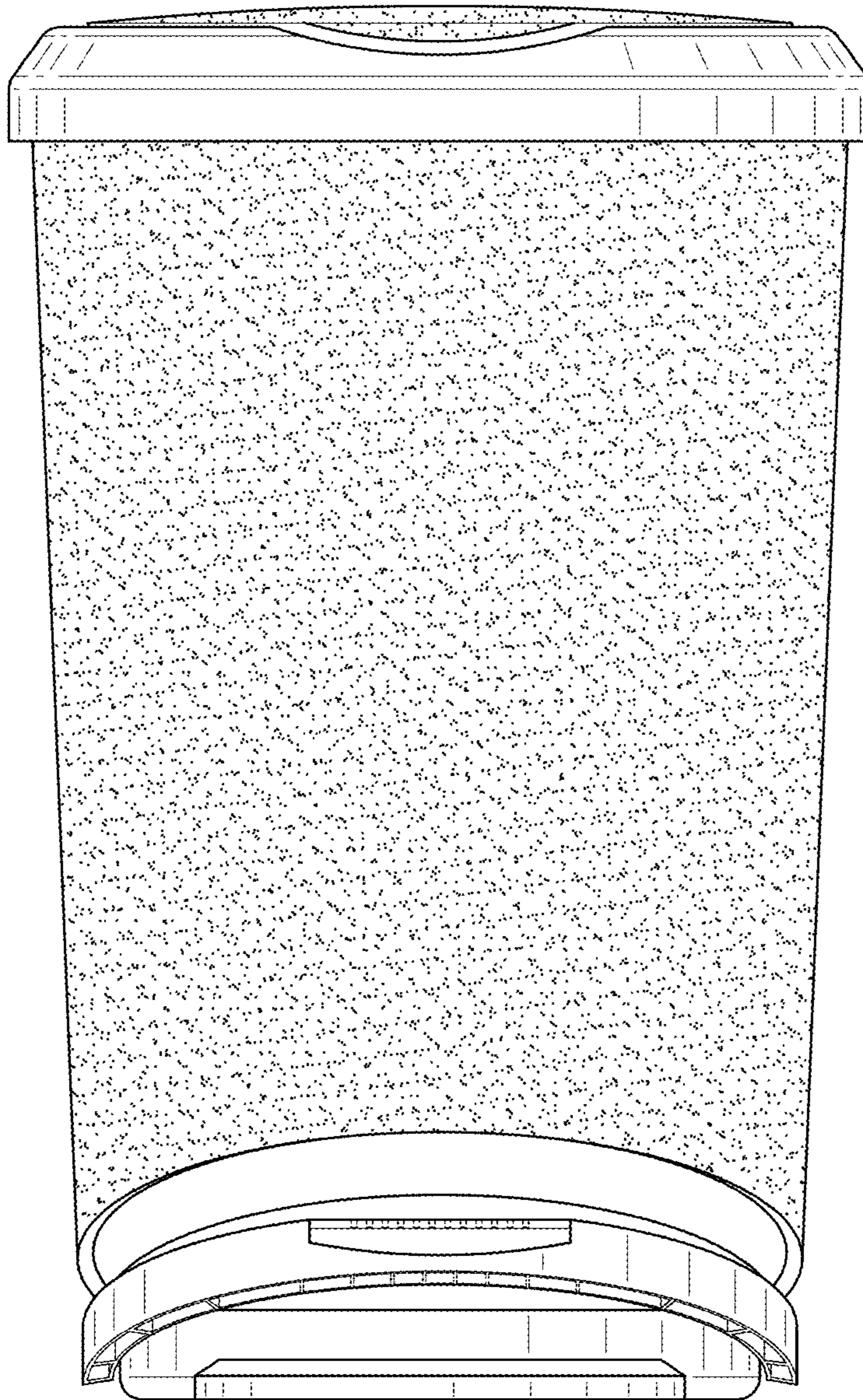


FIG. 8

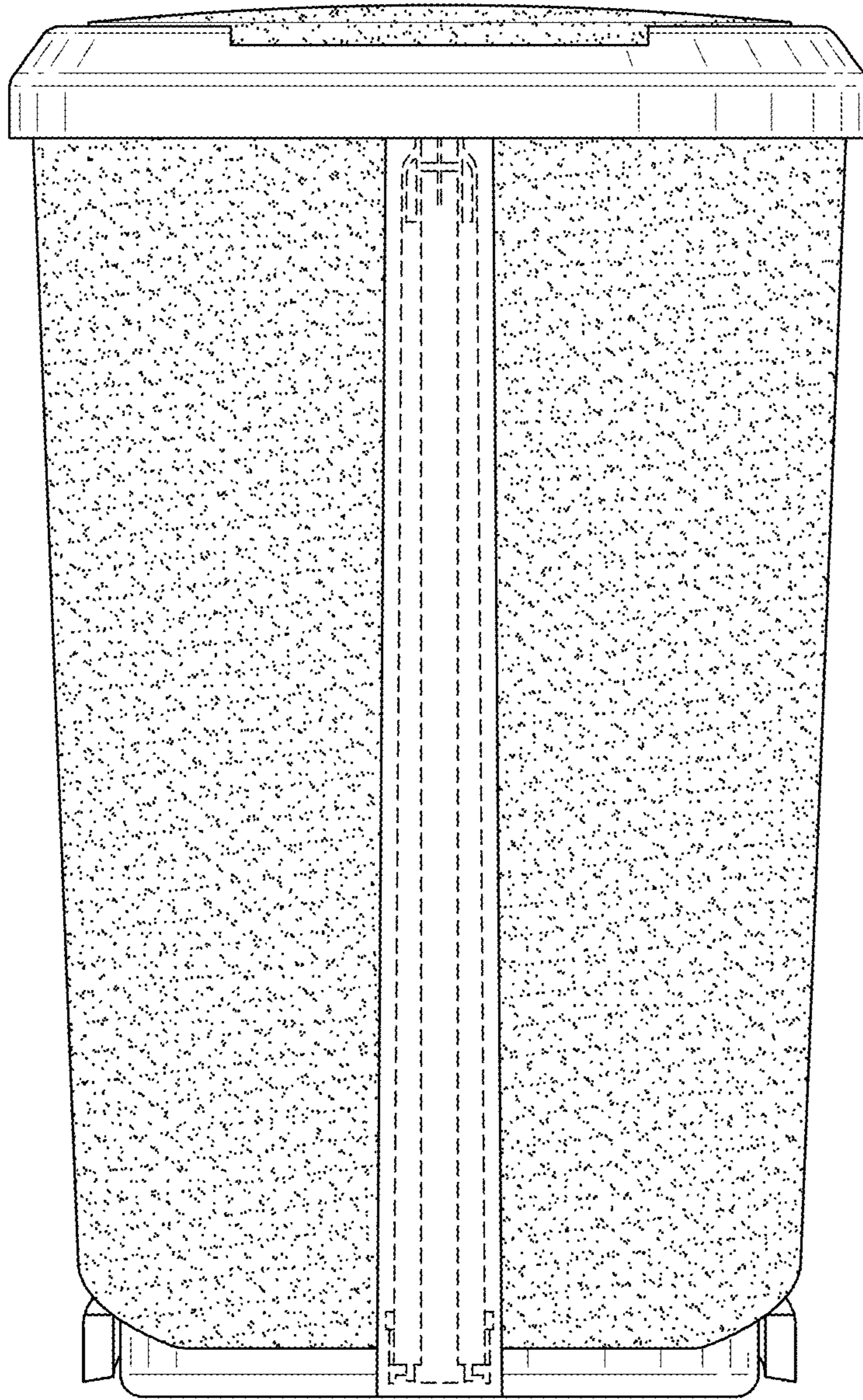


FIG. 9

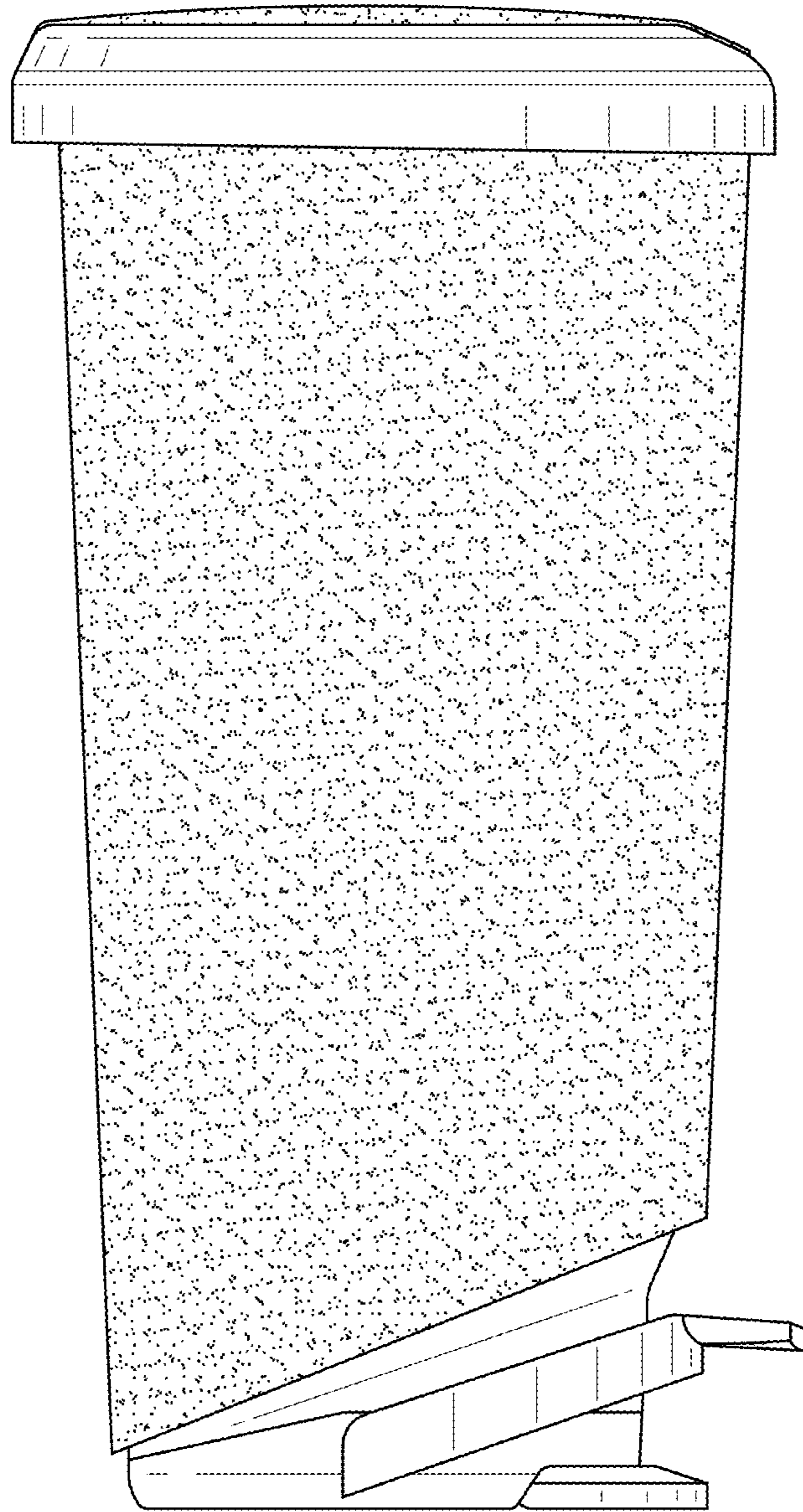


FIG. 10

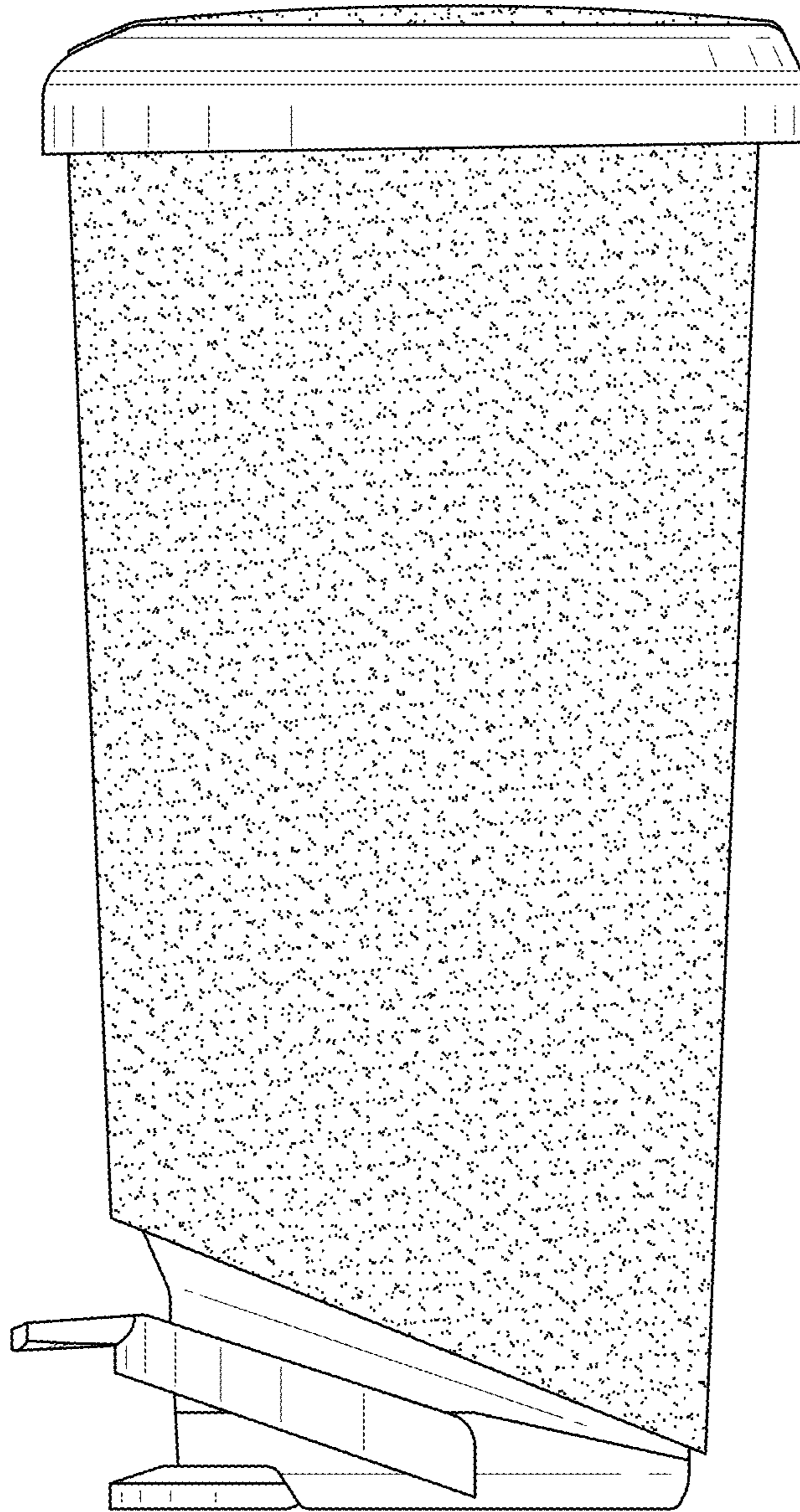


FIG. 11

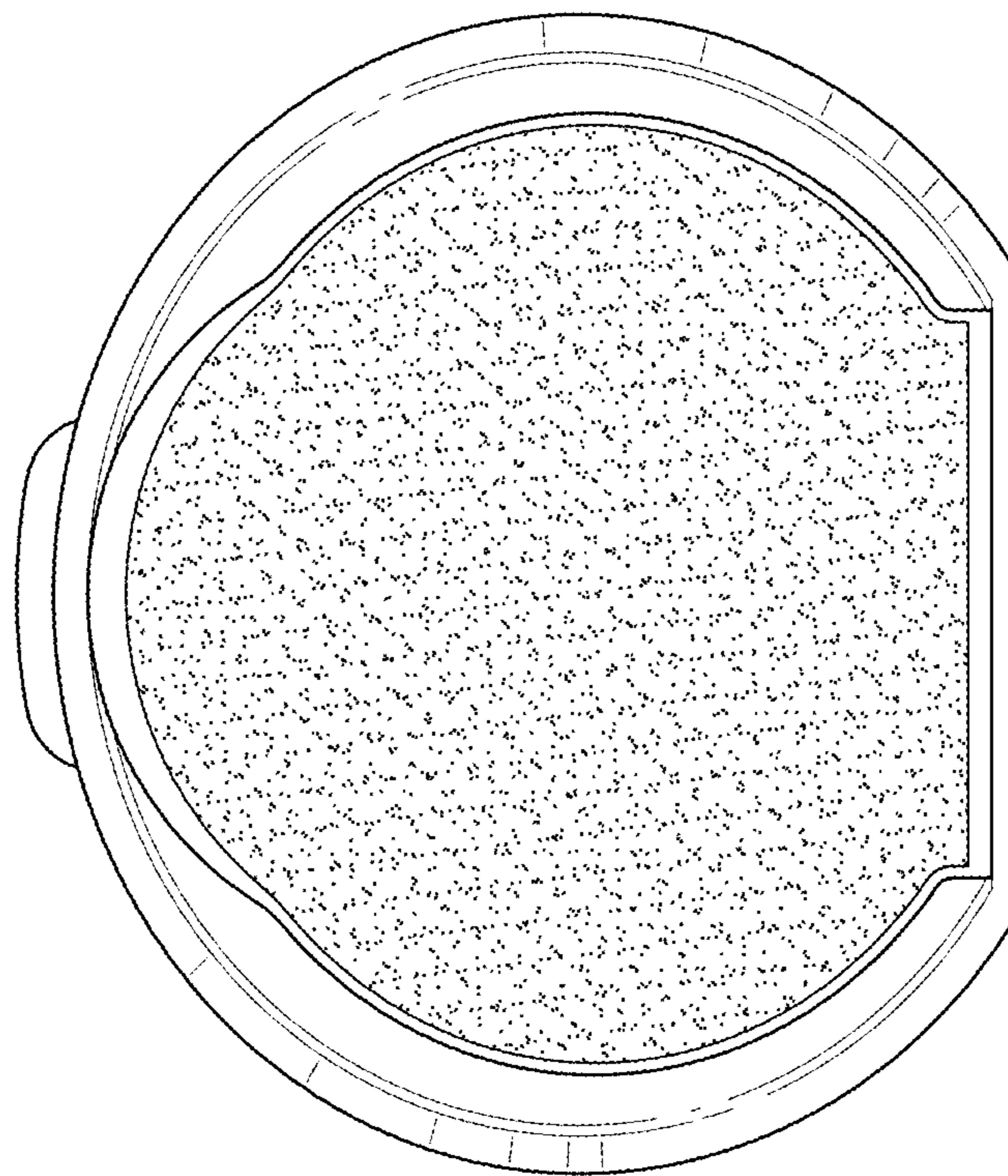


FIG. 12