



US00D790791S

(12) **United States Design Patent**
Katz

(10) **Patent No.:** **US D790,791 S**

(45) **Date of Patent:** **** Jun. 27, 2017**

(54) **BUCKET RING MOUNT**

(71) Applicant: **Dennis Katz**, North Bend, WA (US)

(72) Inventor: **Dennis Katz**, North Bend, WA (US)

(**) Term: **15 Years**

(21) Appl. No.: **29/580,552**

(22) Filed: **Oct. 11, 2016**

(51) **LOC (10) Cl.** **07-07**

(52) **U.S. Cl.**
USPC **D32/54**

(58) **Field of Classification Search**
USPC D32/53, 53.1, 54; 220/23.8, 657, 658,
220/319; D23/269; 277/910, 917
CPC B65D 21/0233; B65D 1/16; B65D 25/32
See application file for complete search history.

(56) **References Cited**

U.S. PATENT DOCUMENTS

D489,611 S * 5/2004 Monsanty D32/54
D536,071 S * 1/2007 Wortmann D23/269
D573,236 S * 7/2008 Selvam D23/269

D655,401 S * 3/2012 Muramatsu D23/269
D659,334 S * 5/2012 Runyons D32/54
D703,898 S * 4/2014 Neu D32/54
D728,182 S * 4/2015 Cook D32/54
D728,757 S * 5/2015 Graham D23/269

* cited by examiner

Primary Examiner — Robin V Webster

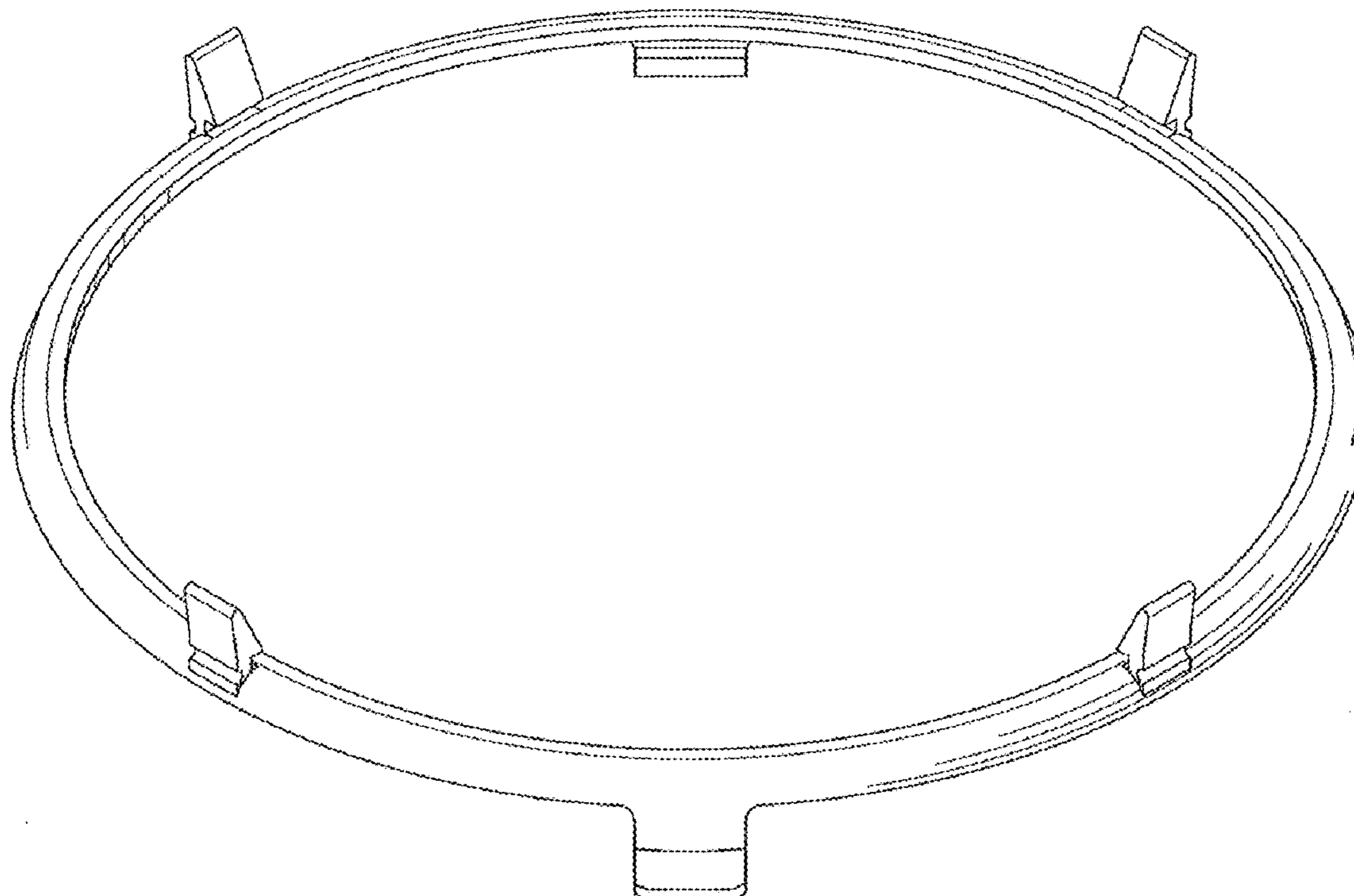
(57) **CLAIM**

The ornamental design for a bucket ring mount, as shown and described.

DESCRIPTION

FIG. 1 is a top, perspective view of a bucket ring mount.
FIG. 2 is front elevational view of the invention.
FIG. 3 is a right side elevation view of the invention.
FIG. 4 is a top plan view of the invention.
FIG. 5 is a bottom plan view of the invention.
FIG. 6 is a partial, sectional side elevational view of the invention taken along line 6-6 in FIG. 4; and,
FIG. 7 is a partial, sectional side elevational view of the invention taken along line 7-7 in FIG. 4.

1 Claim, 3 Drawing Sheets



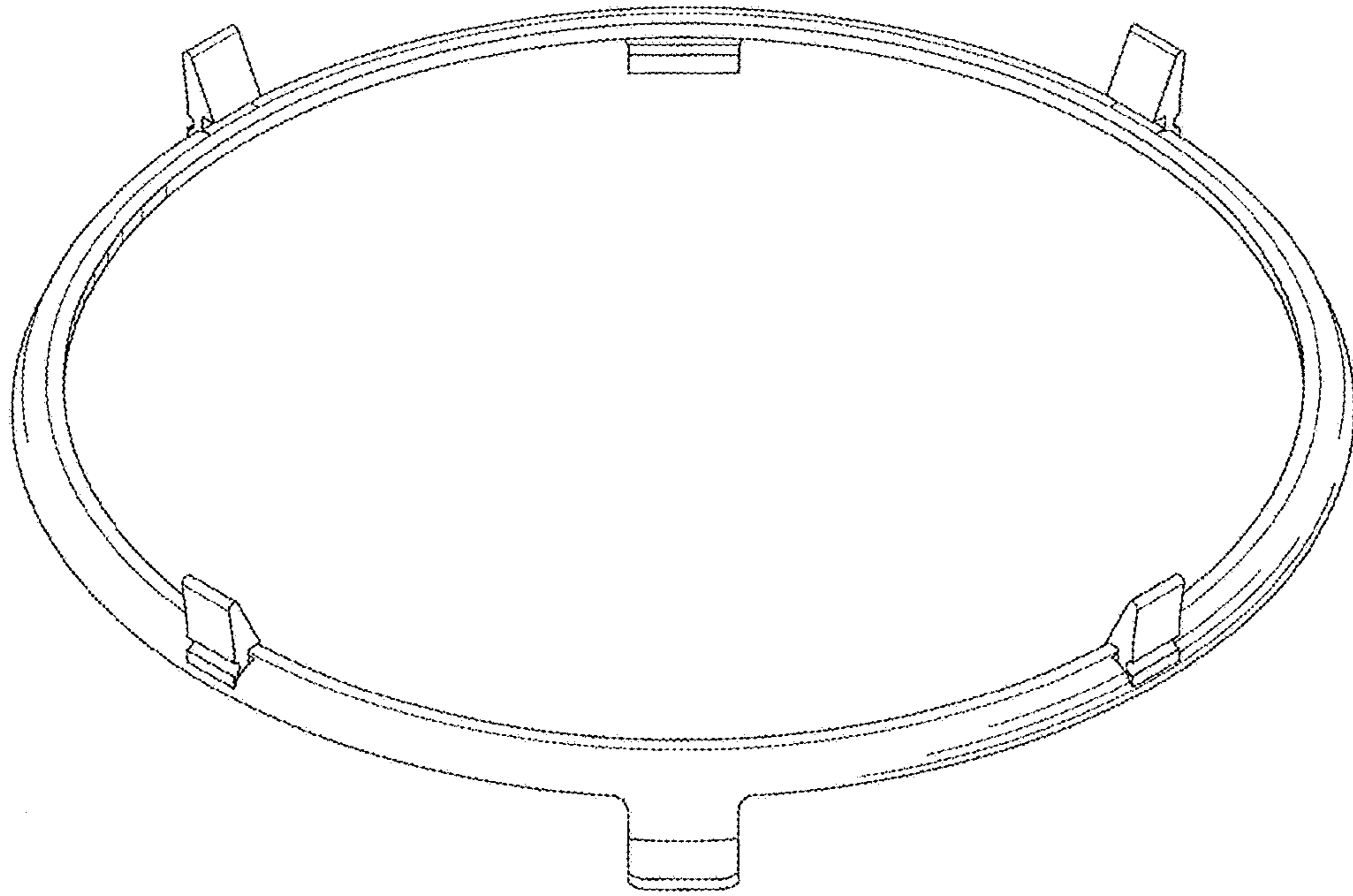


Fig. 1

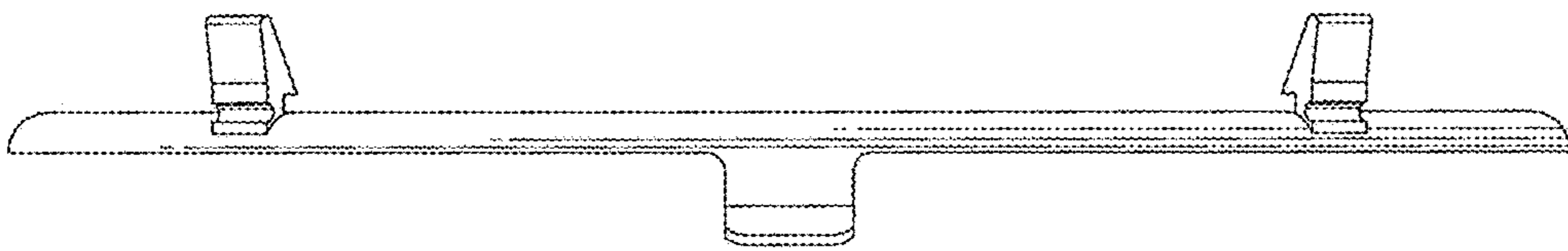


Fig. 2



Fig. 3

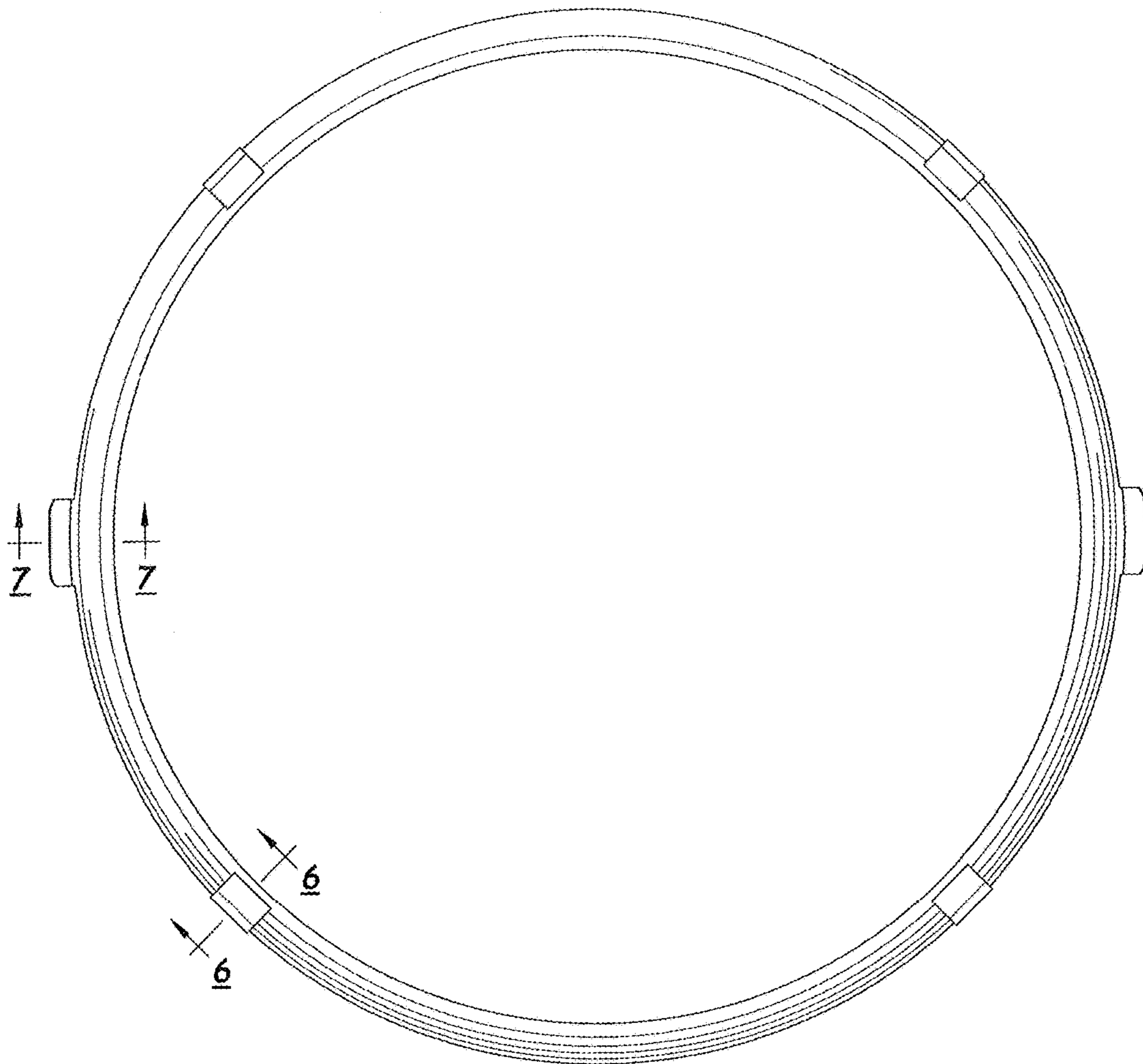


Fig. 4

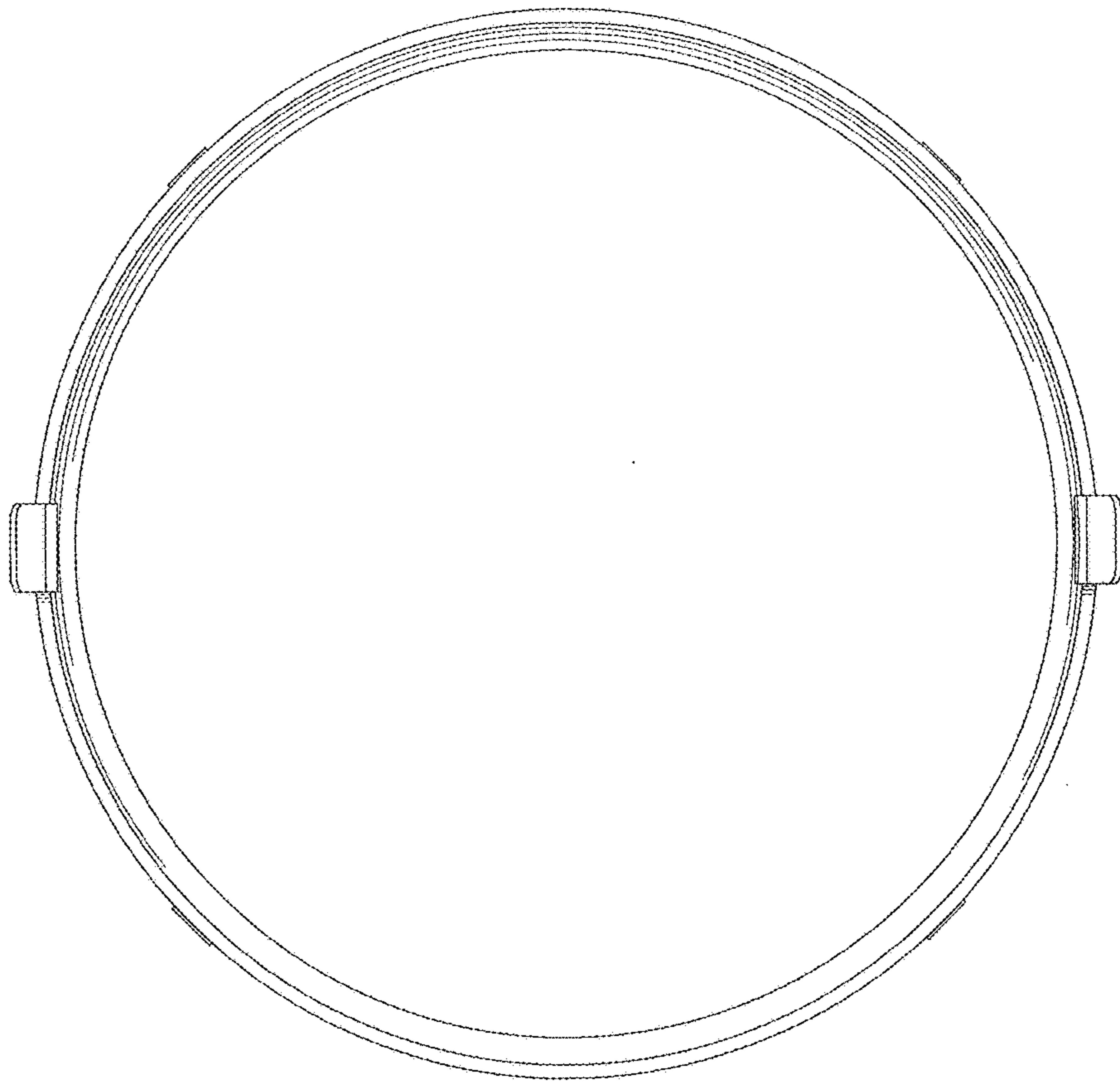


Fig. 5

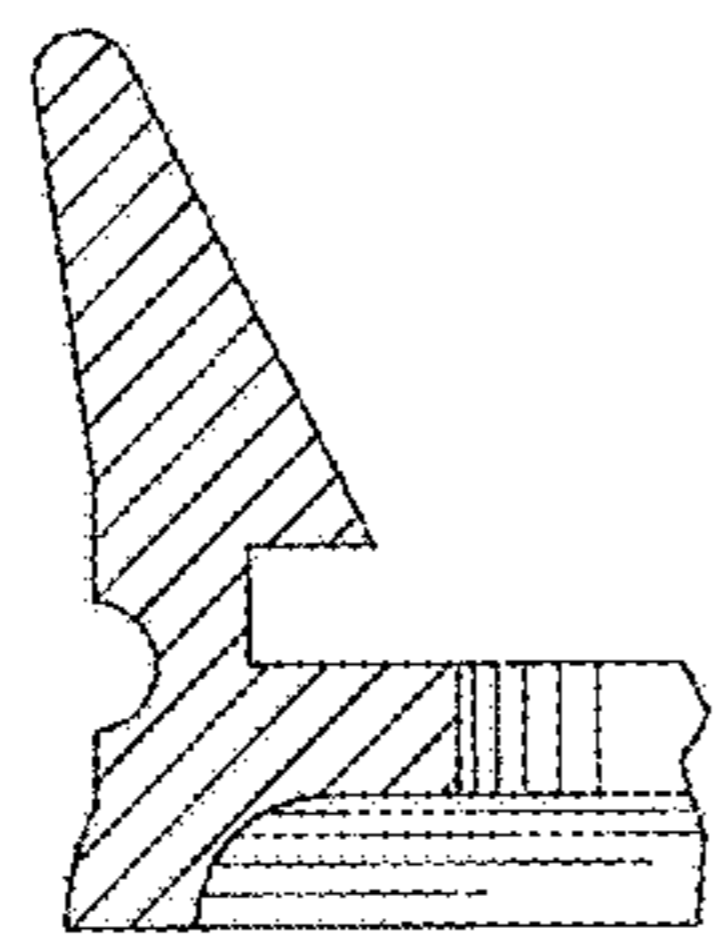


Fig. 6

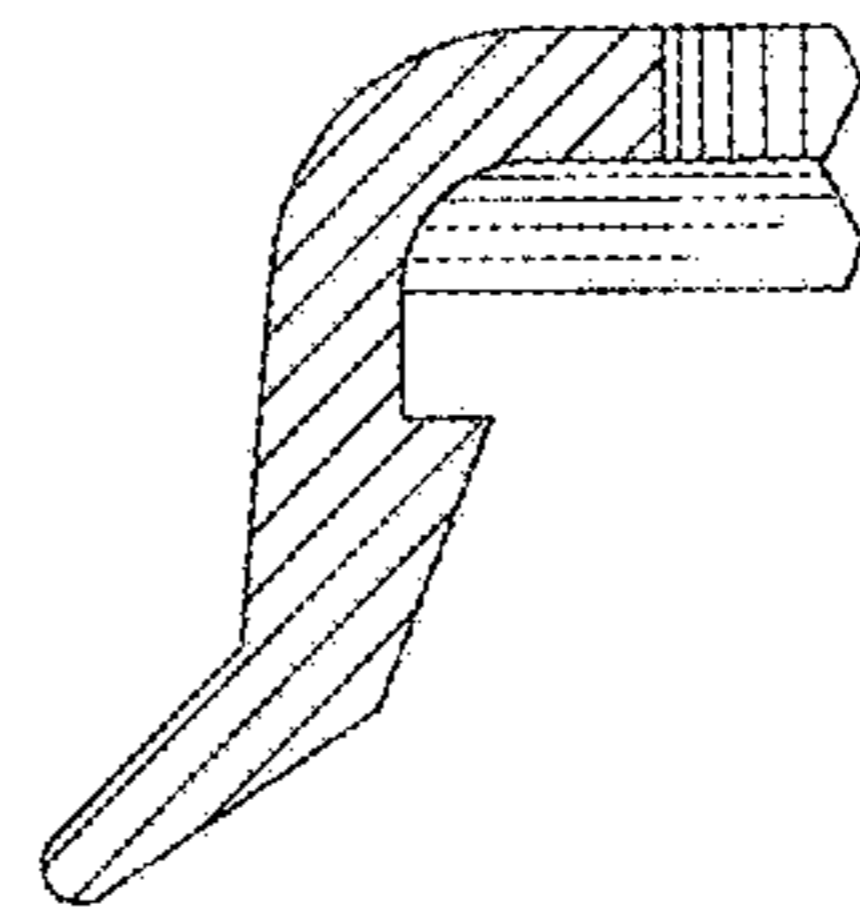


Fig. 7