



US00D790790S

(12) **United States Design Patent**  
**Goda**

(10) **Patent No.:** **US D790,790 S**  
(45) **Date of Patent:** **\*\* Jun. 27, 2017**

- (54) **PAINT TRAY**
- (71) Applicant: **Teko Alan Goda**, Rosedale, IN (US)
- (72) Inventor: **Teko Alan Goda**, Rosedale, IN (US)
- (\*\*) Term: **15 Years**
- (21) Appl. No.: **29/567,970**
- (22) Filed: **Jun. 14, 2016**
- (51) **LOC (10) Cl.** ..... **07-07**
- (52) **U.S. Cl.**  
USPC ..... **D32/53.1**
- (58) **Field of Classification Search**  
USPC ..... D32/53, 53.1, 54; 220/570, 904;  
15/260-264  
CPC ..... A47L 13/142; A47L 13/58  
See application file for complete search history.

6,802,431 B2 \* 10/2004 Schinkel ..... B05C 17/0245  
220/570  
D518,263 S \* 3/2006 Verhaar ..... D32/53.1  
D581,119 S \* 11/2008 Bergman ..... D32/53.1  
D702,907 S \* 4/2014 Bergman ..... D32/54

\* cited by examiner

*Primary Examiner* — Robin V Webster  
(74) *Attorney, Agent, or Firm* — Taft Stettinius & Hollister LLP; Ryan O. White

(57) **CLAIM**

The ornamental design for a paint tray, as shown and described.

**DESCRIPTION**

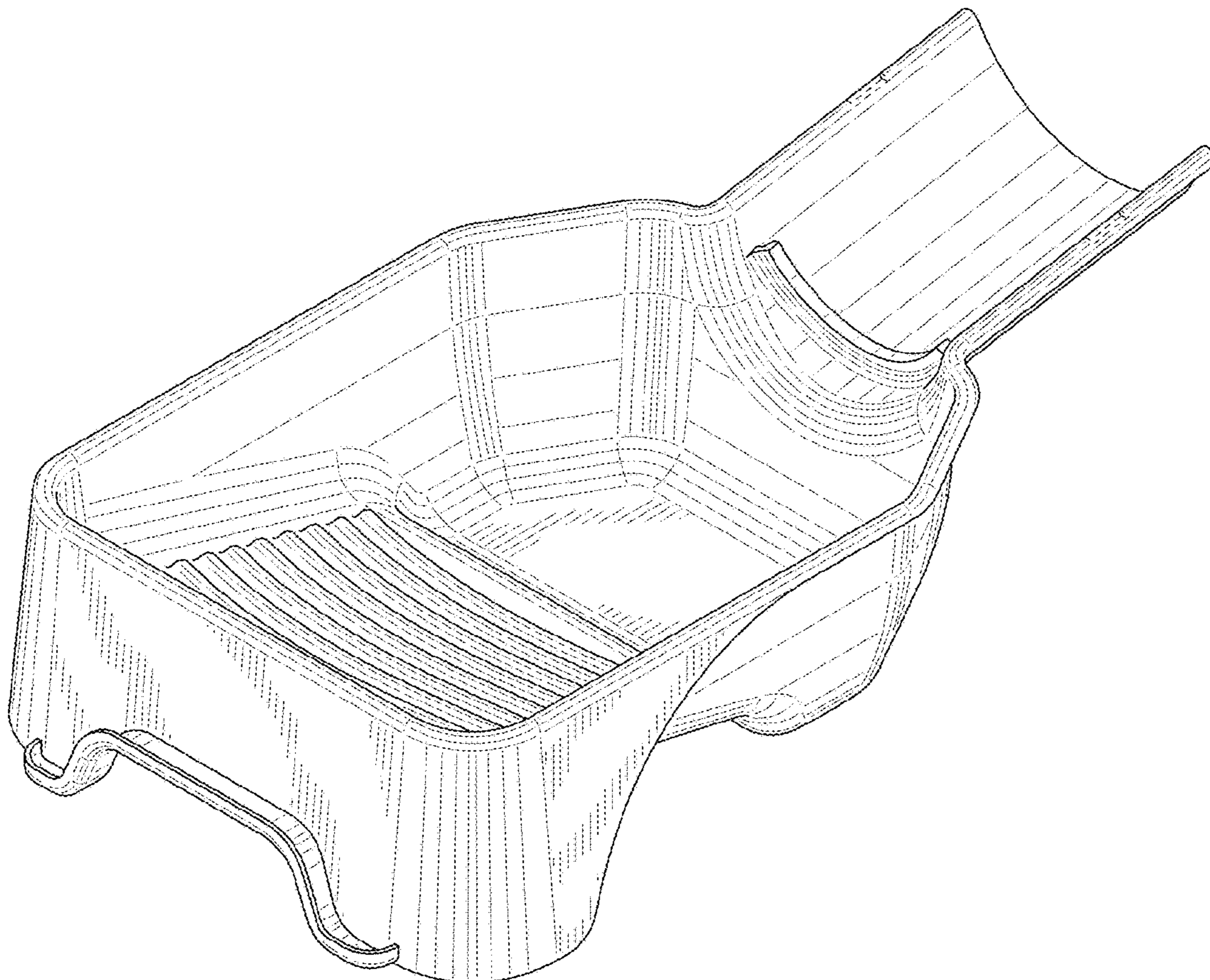
FIG. 1 is a front perspective view of a paint tray that shows my new, original and ornamental design.  
 FIG. 2 is a side view of the paint tray of FIG. 1.  
 FIG. 3 is a front view of the paint tray of FIG. 1.  
 FIG. 4 is a rear view of the paint tray of FIG. 1.  
 FIG. 5 is a top view of the paint tray of FIG. 1; and,  
 FIG. 6 is a bottom view of the paint tray of FIG. 1.

**1 Claim, 5 Drawing Sheets**

(56) **References Cited**

**U.S. PATENT DOCUMENTS**

D457,995 S \* 5/2002 Clark ..... D32/53.1  
 D483,917 S \* 12/2003 Frantz ..... B44D 3/126  
 D32/53.1



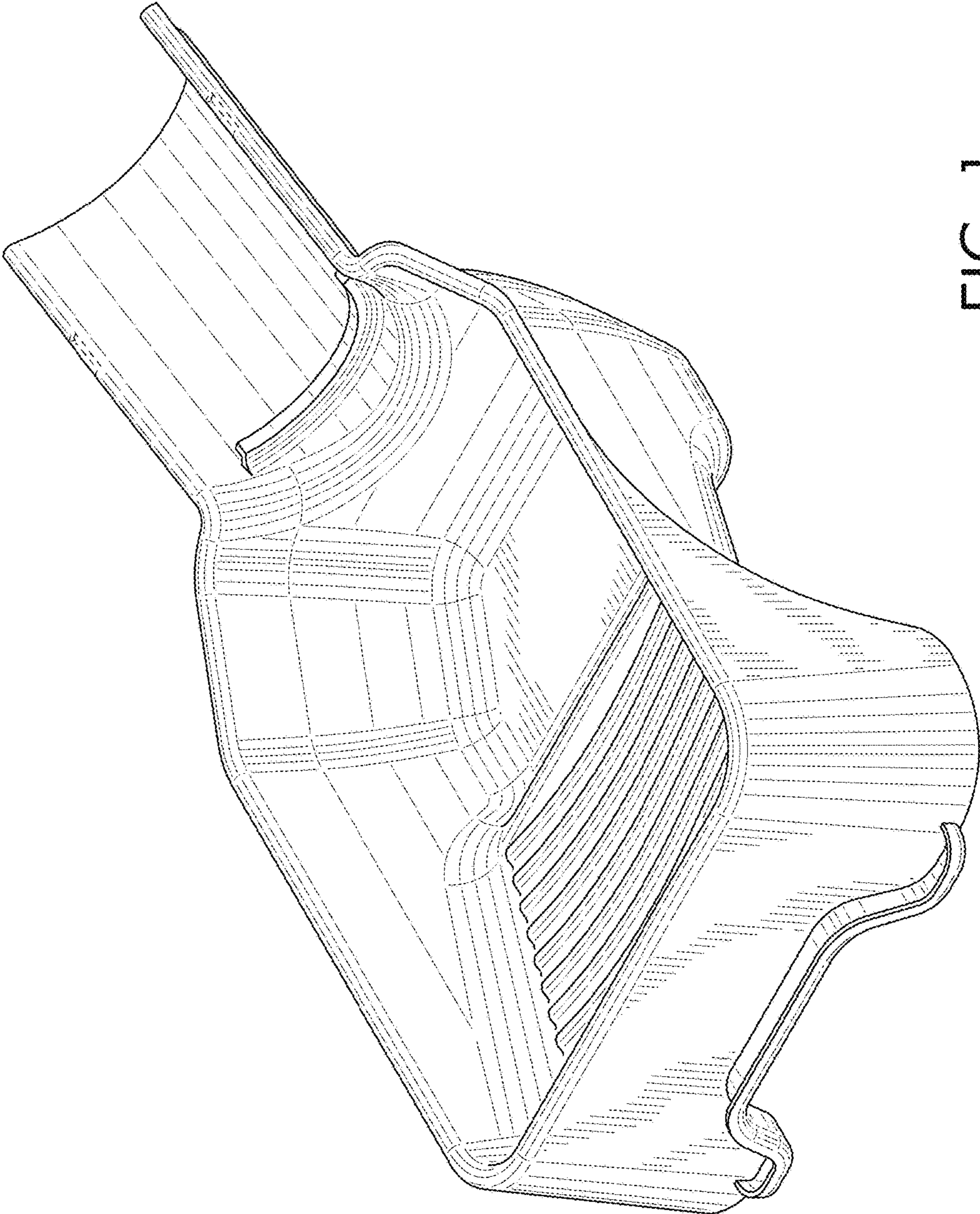


FIG. 1

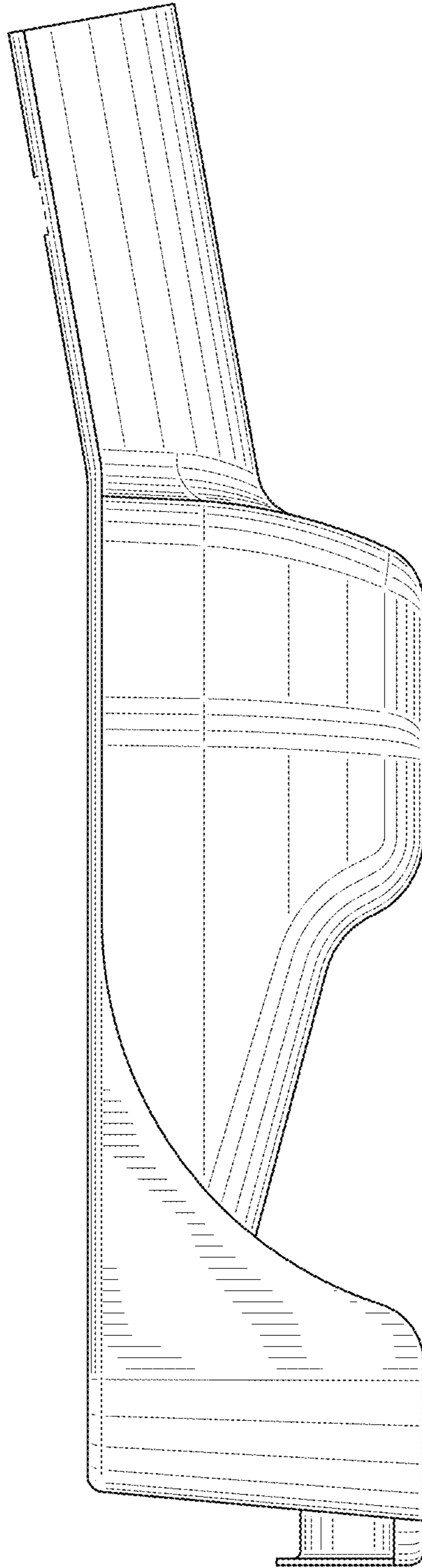


FIG. 2



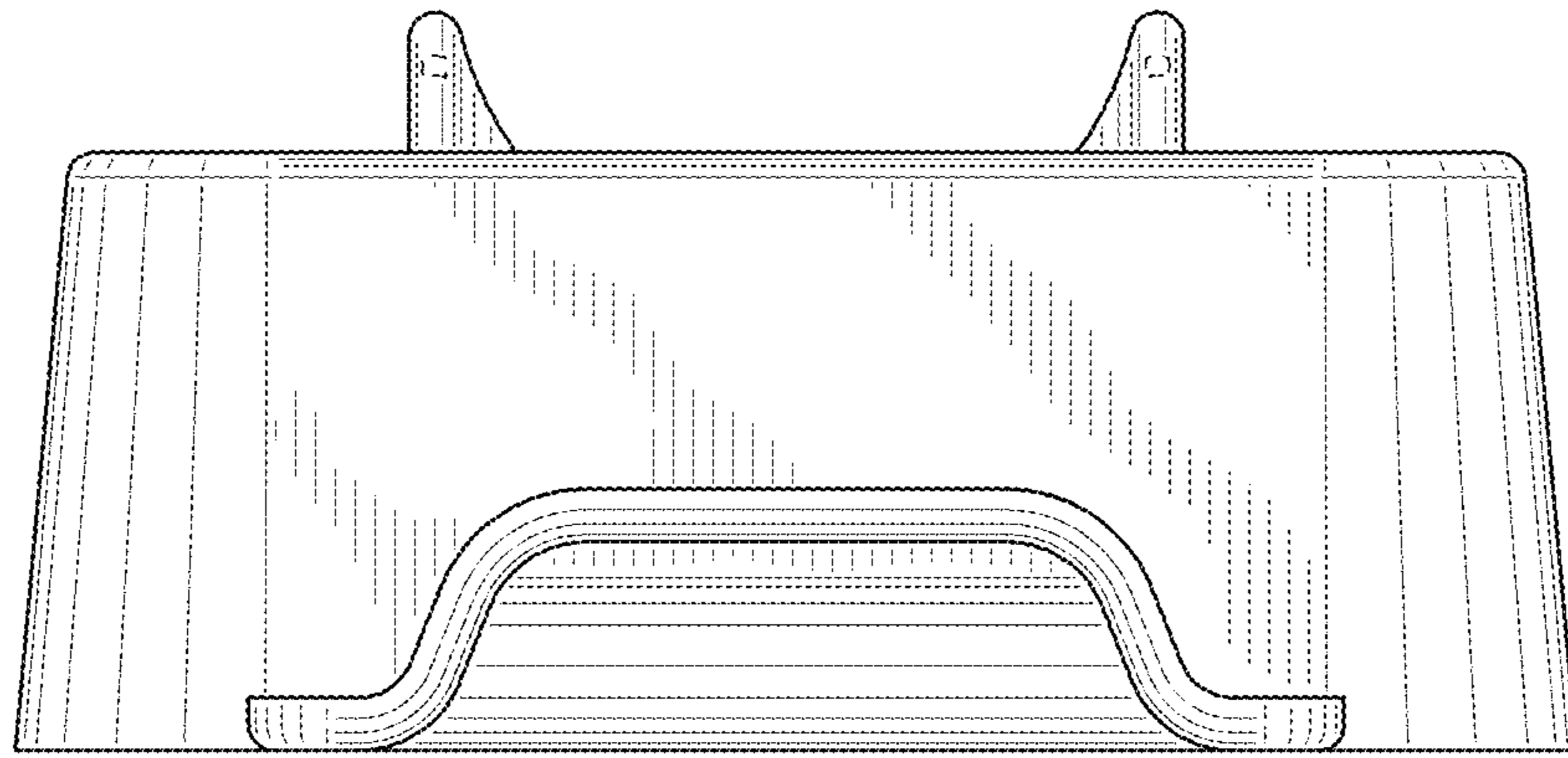


FIG. 3

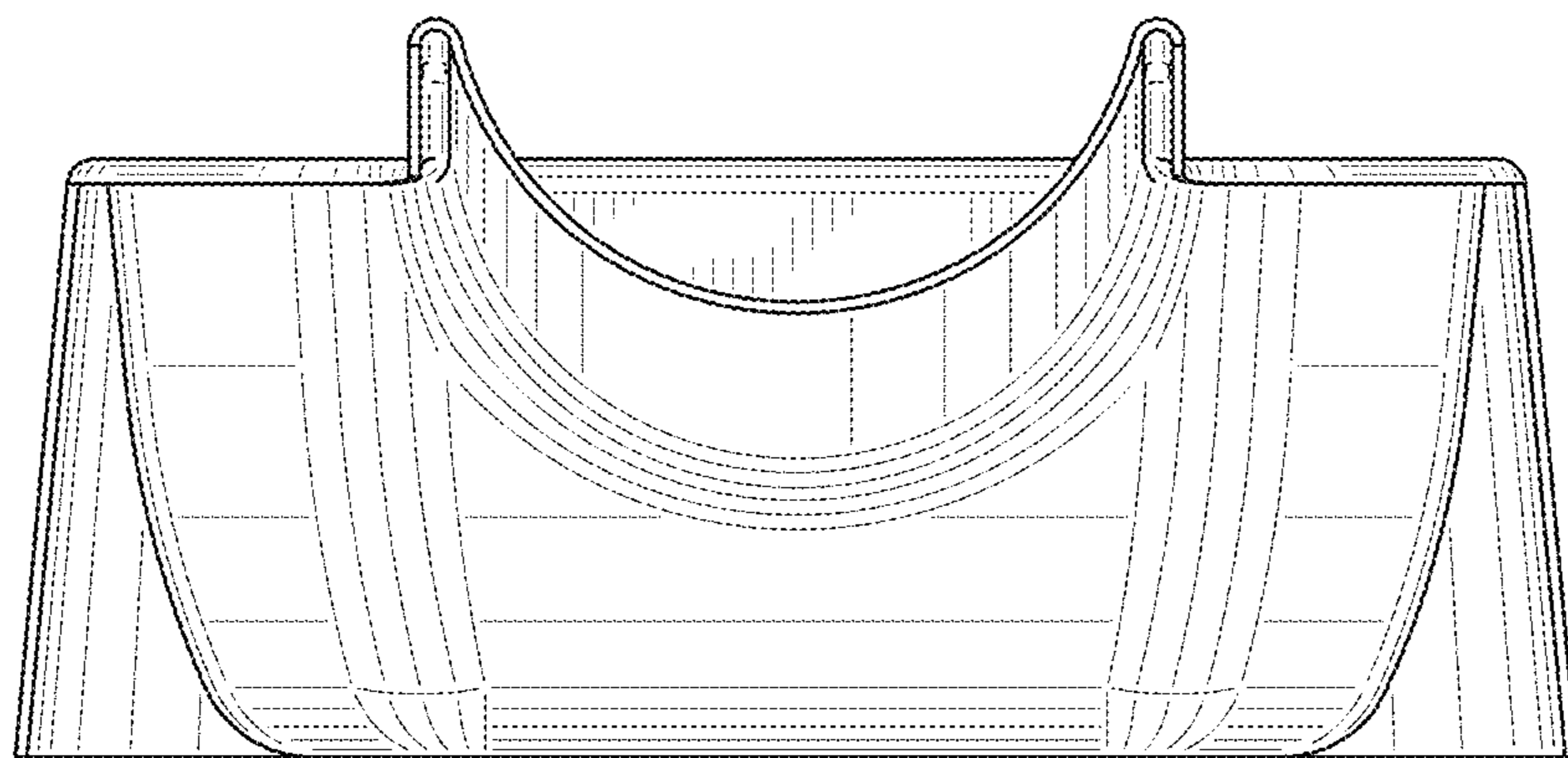


FIG. 4

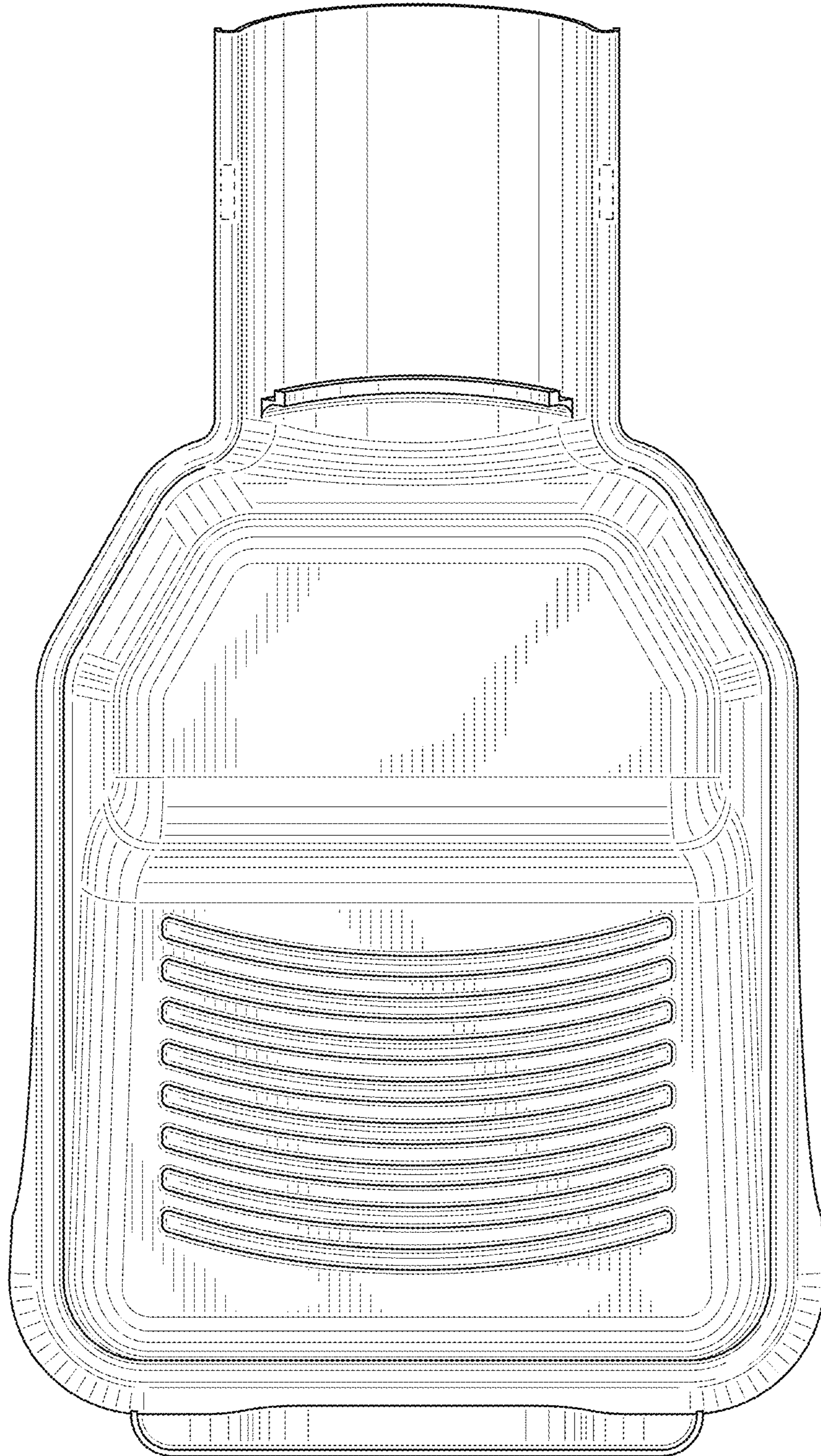


FIG. 5



FIG. 6