

US00D790789S

(12) **United States Design Patent** (10) **Patent No.:** **US D790,789 S**  
**Blom** (45) **Date of Patent:** **\*\* Jun. 27, 2017**

(54) **SQUEEGEE**  
(71) Applicant: **Dan Lennart Blom**, Chino, CA (US)  
(72) Inventor: **Dan Lennart Blom**, Chino, CA (US)  
(73) Assignee: **AquaStar, Inc.**, Chino, CA (US)  
(\*\*) Term: **15 Years**  
(21) Appl. No.: **29/564,959**  
(22) Filed: **May 17, 2016**  
(51) **LOC (10) Cl.** ..... **04-01**  
(52) **U.S. Cl.**  
USPC ..... **D32/41**  
(58) **Field of Classification Search**  
USPC ..... D32/40-43, 50-52; D4/118, 199;  
D8/33, 47, 90, 93  
CPC . A47L 13/08; A47L 9/06; A47L 13/02; A46B  
5/02; B24D 15/06; B25F 1/00; B26B  
5/00; B44D 3/16; B08B 1/00; B60S 3/04  
See application file for complete search history.

D636,957 S \* 4/2011 Raven ..... D32/41  
D695,981 S \* 12/2013 Myoung ..... D32/46  
9,051,744 B1 \* 6/2015 Murray ..... B26B 9/00  
(Continued)

**FOREIGN PATENT DOCUMENTS**

GB 4030429 \* 9/2013

**OTHER PUBLICATIONS**

Amazon.com: Dawn 432938 Kitchen Super Scraper, review date Jul. 13, 2013, [https://www.amazon.com/Dawn-432938-Kitchen-Super-Scraper/dp/B00BE02IAU/ref=cm\\_cr\\_ar\\_p\\_d\\_product\\_top?ie=UTF8](https://www.amazon.com/Dawn-432938-Kitchen-Super-Scraper/dp/B00BE02IAU/ref=cm_cr_ar_p_d_product_top?ie=UTF8), [site visited Feb. 13, 2017 6:13:30 PM].\*

*Primary Examiner* — John Windmuller  
*Assistant Examiner* — John R Yeh  
(74) *Attorney, Agent, or Firm* — Hankin Patent Law, APC; Kevin Schraven; Anooj Patel

(57) **CLAIM**

The ornamental design for a squeegee, as shown and described.

**DESCRIPTION**

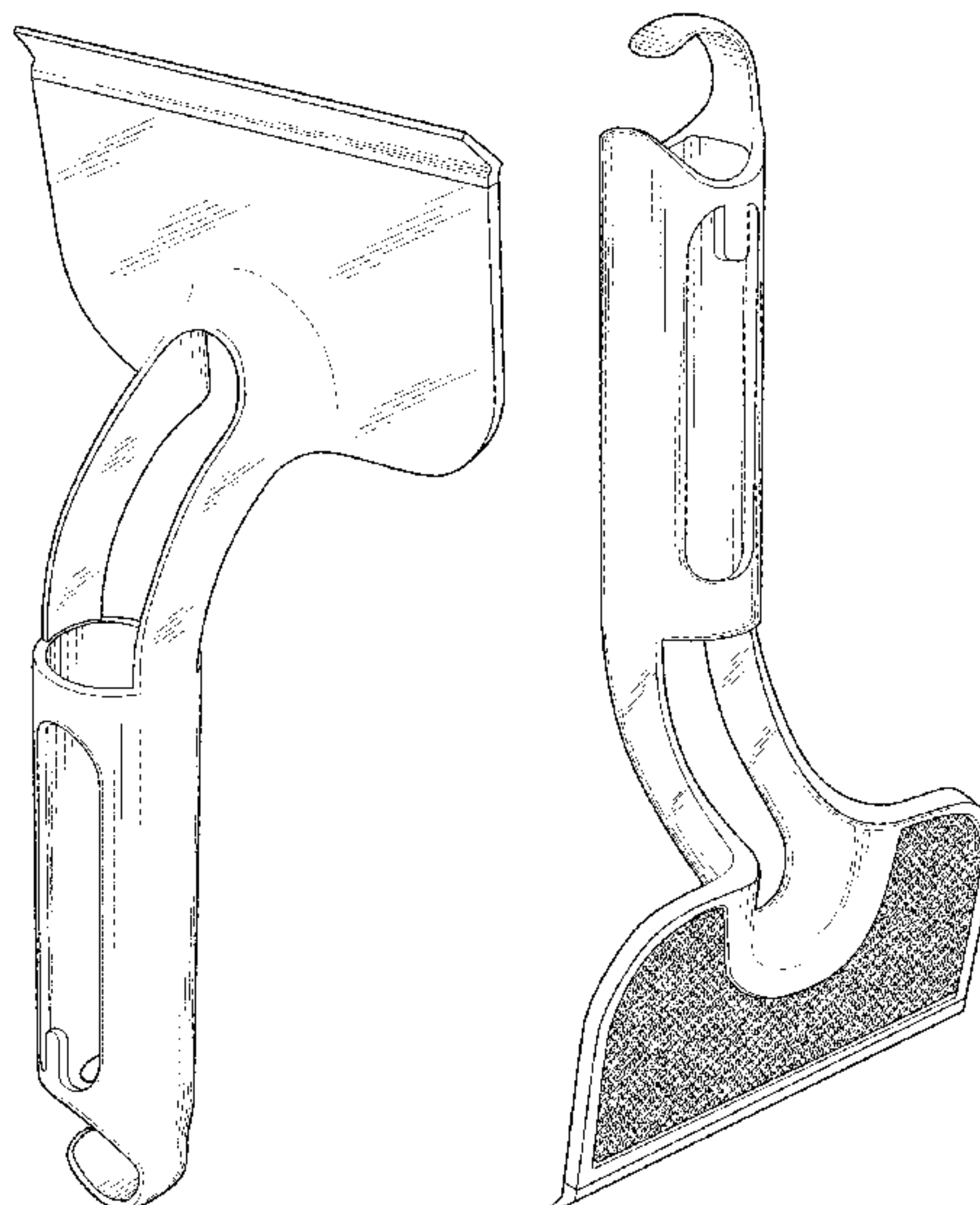
FIG. 1 is a top perspective view of a squeegee, showing my new design.  
FIG. 2 is a bottom perspective view thereof.  
FIG. 3 is a top plan view thereof.  
FIG. 4 is a bottom plan view thereof.  
FIG. 5 is a right side elevational view thereof.  
FIG. 6 is a left side elevational view thereof.  
FIG. 7 is a front elevational view thereof.  
FIG. 8 is a rear elevational view thereof; and,  
FIG. 9 is a bottom perspective view thereof and shows the squeegee with a removable spray bottle in broken lines. The broken lines showing the spray bottle are for the purpose of illustrating environmental structure and unclaimed subject matter and form no part of the claimed design.

(56) **References Cited**

**U.S. PATENT DOCUMENTS**

1,647,751 A \* 11/1927 Schacht ..... A47L 13/08  
15/245  
1,954,940 A \* 4/1934 Mikel ..... A47K 7/024  
15/110  
2,262,316 A \* 11/1941 Brugman ..... A47L 13/022  
15/145  
2,519,946 A \* 8/1950 Voelker ..... B60S 3/045  
15/236.02  
5,063,627 A \* 11/1991 Marra ..... B44C 7/02  
30/169  
D339,889 S \* 9/1993 Kessler ..... D32/40  
D365,897 S \* 1/1996 Pereira ..... D32/46  
D422,766 S \* 4/2000 Whitman ..... D32/46  
D429,889 S \* 8/2000 Fielding ..... D32/42  
D469,230 S \* 1/2003 Libman ..... D32/41  
D500,184 S \* 12/2004 Libman ..... D32/41

**1 Claim, 9 Drawing Sheets**



(56)

**References Cited**

U.S. PATENT DOCUMENTS

2002/0040686 A1\* 4/2002 Willinger ..... A01K 13/002  
119/633  
2002/0095737 A1\* 7/2002 Panfili ..... A47L 13/08  
15/143.1  
2012/0110766 A1\* 5/2012 Lin ..... A47L 13/022  
15/145  
2014/0041139 A1\* 2/2014 Sprattley ..... A47L 13/022  
15/111  
2015/0026986 A1\* 1/2015 Berglund ..... A47L 13/022  
30/172  
2015/0122090 A1\* 5/2015 Ott ..... B25F 1/00  
81/437  
2016/0106289 A1\* 4/2016 Willis ..... A47L 13/08  
15/236.01  
2017/0008039 A1\* 1/2017 Weinberger ..... B08B 1/005

\* cited by examiner

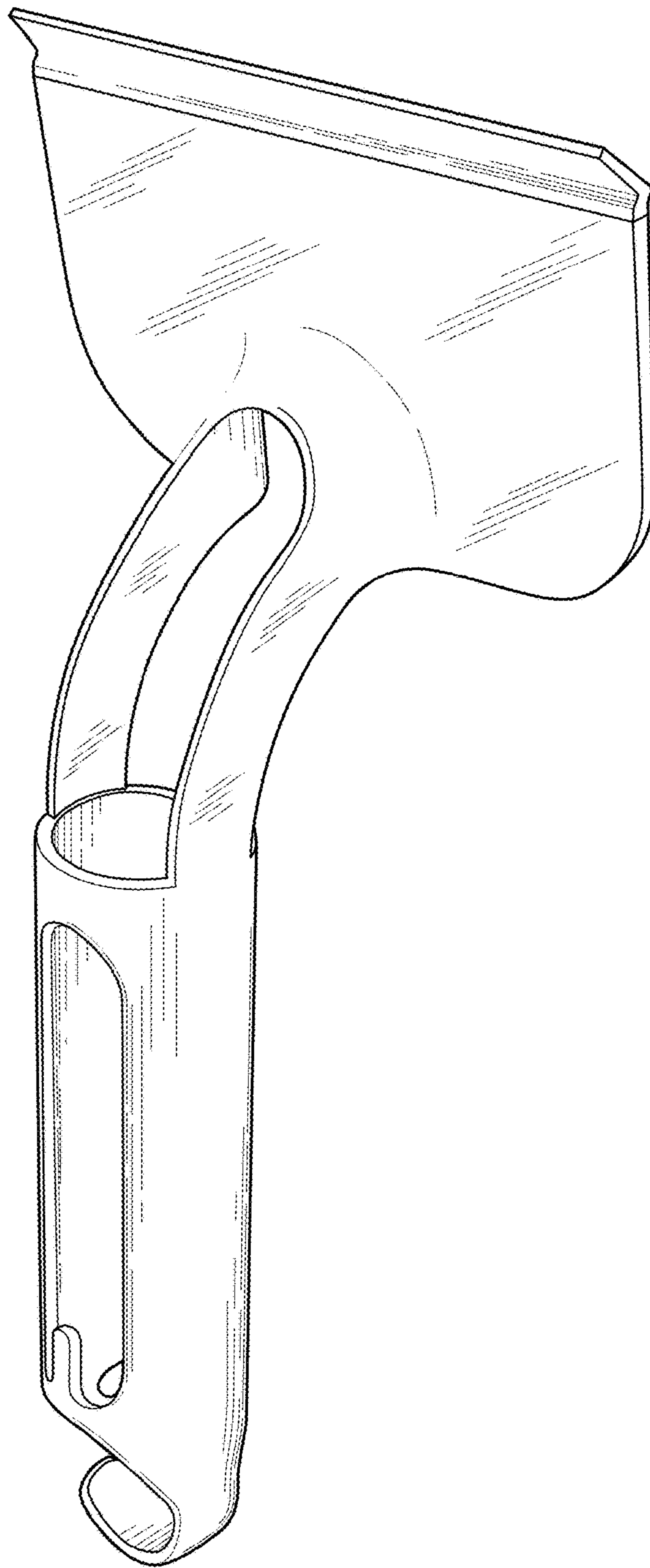


Fig. 1

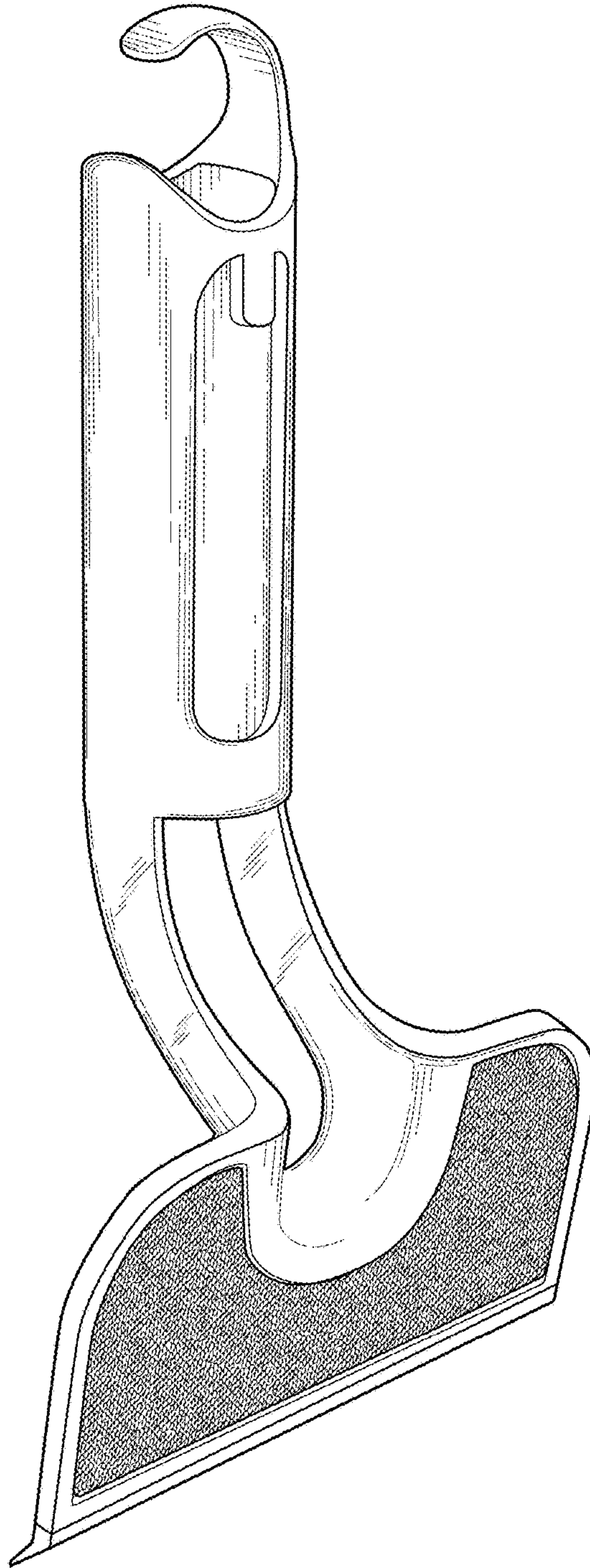


Fig.2



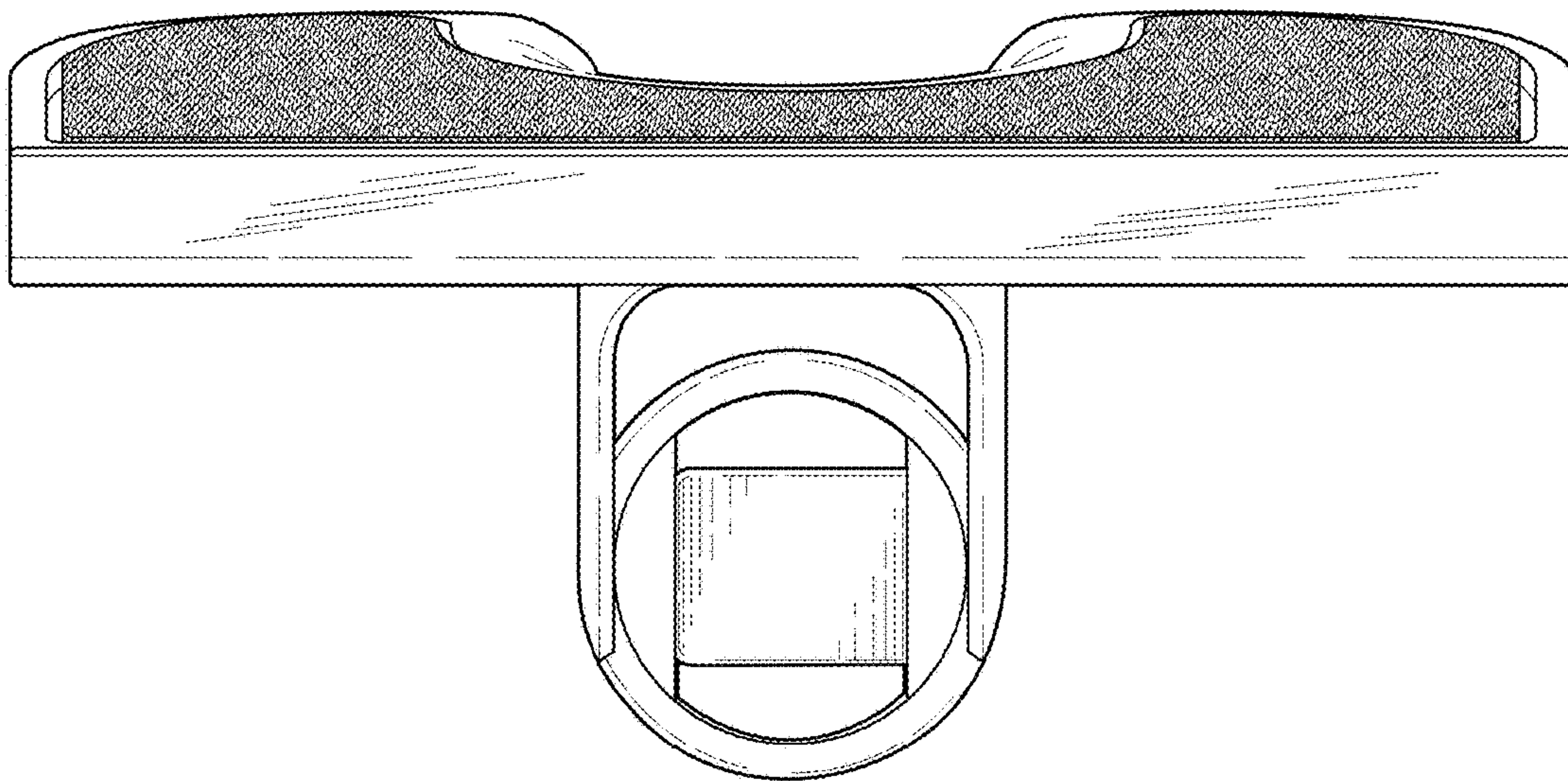


Fig.3

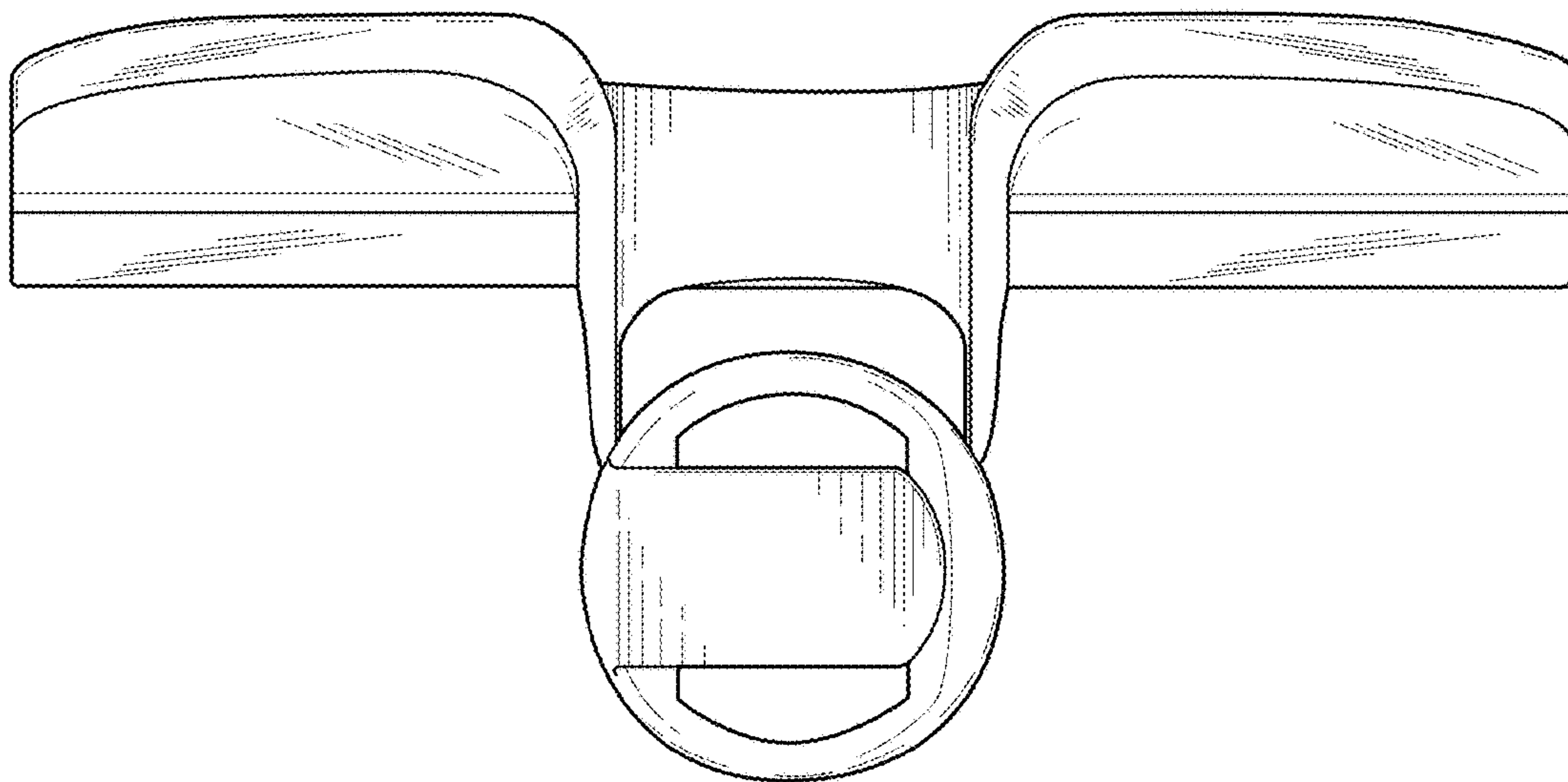


Fig.4

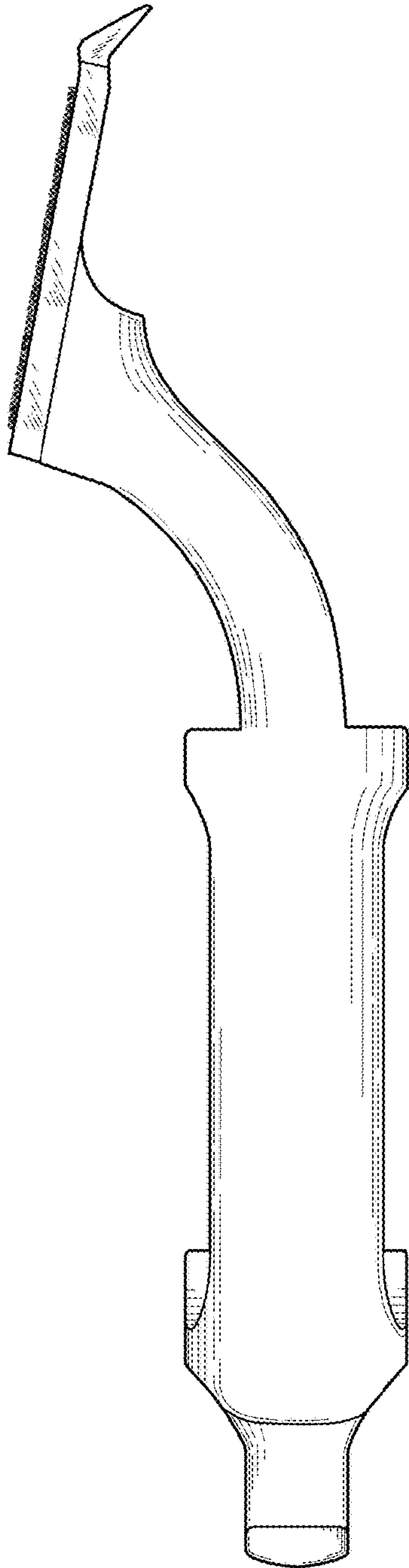


Fig.5

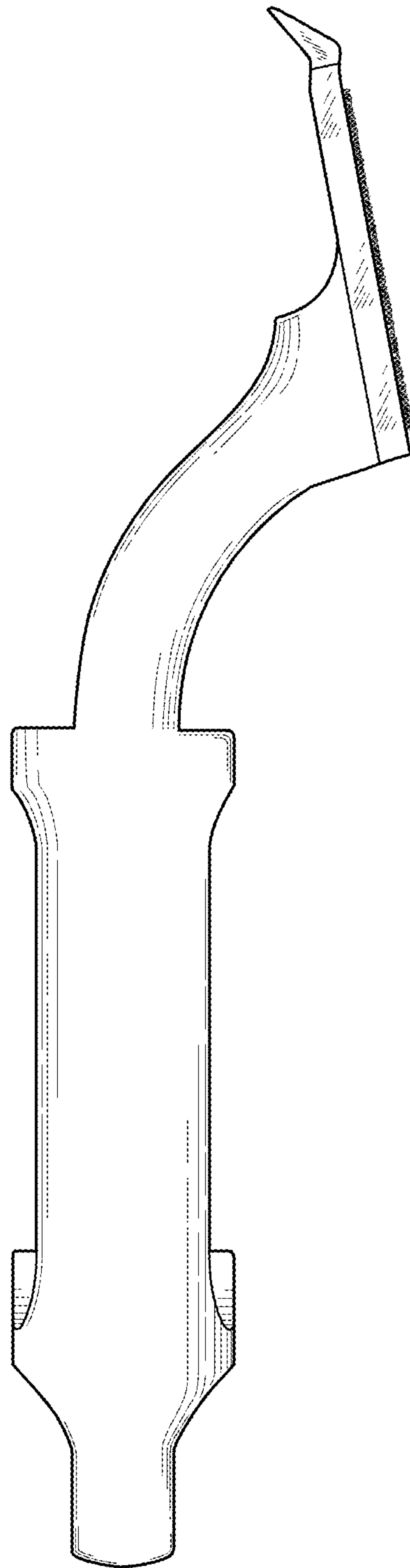


Fig.6



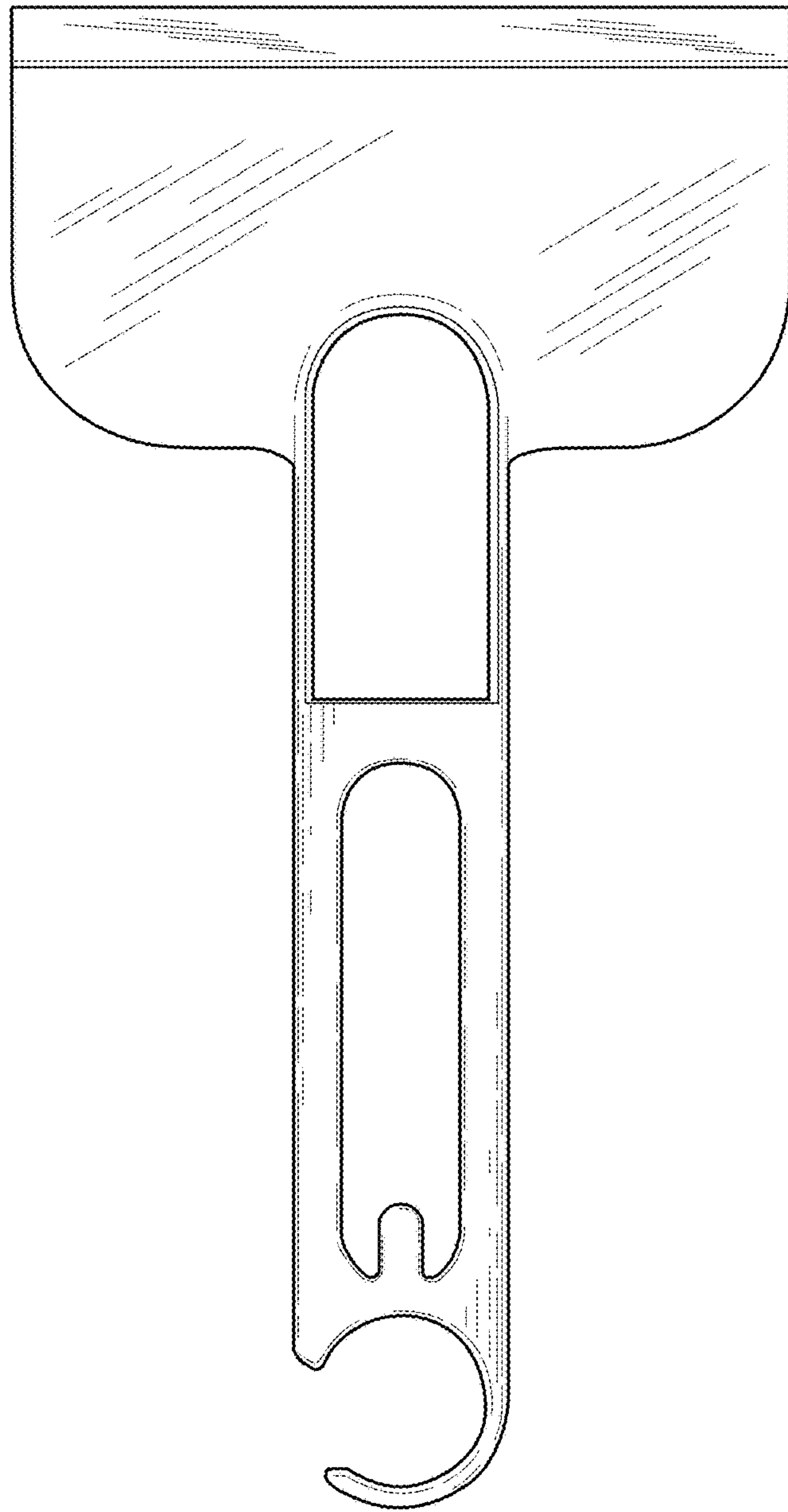


Fig. 7

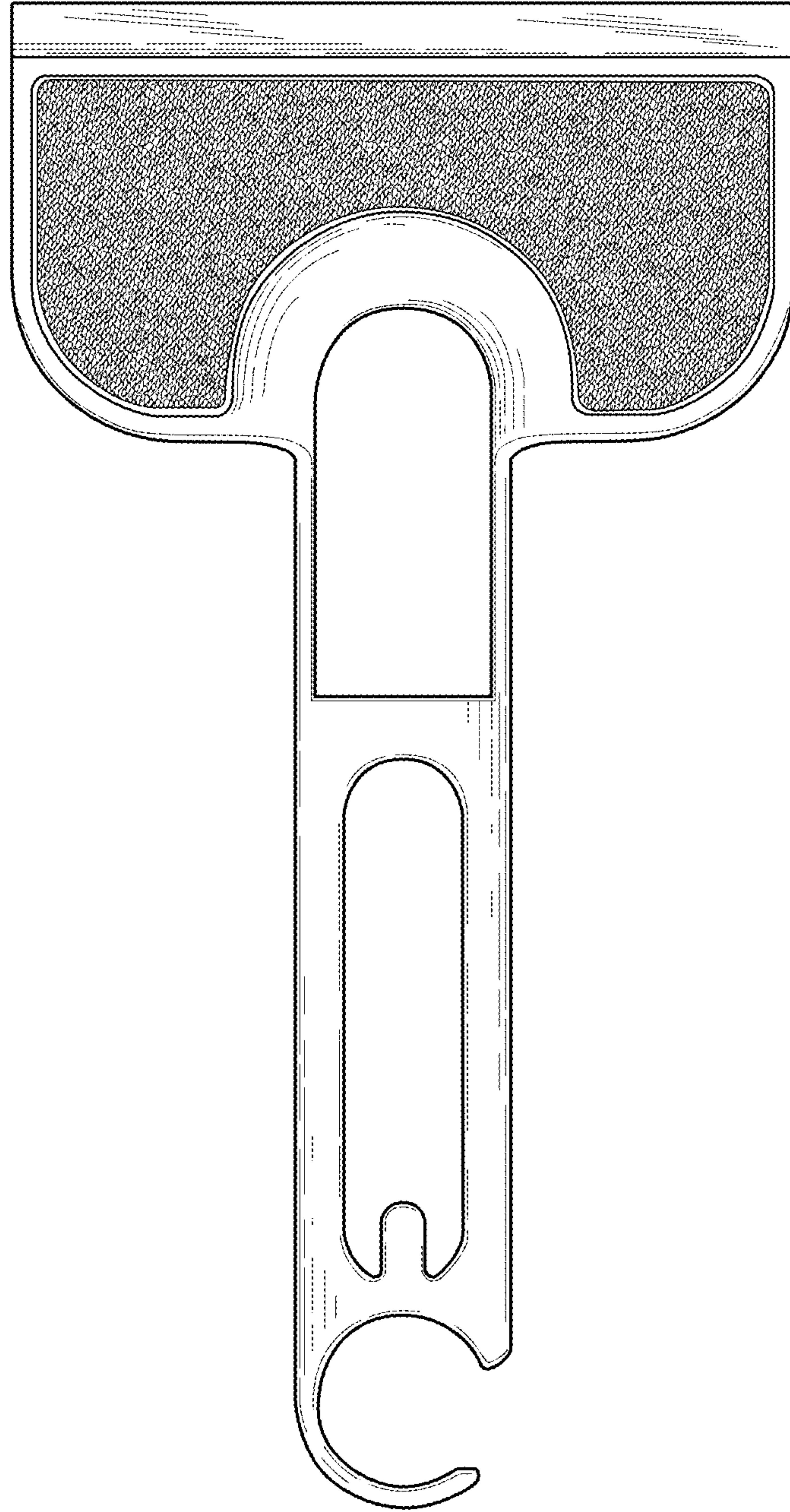


Fig. 8

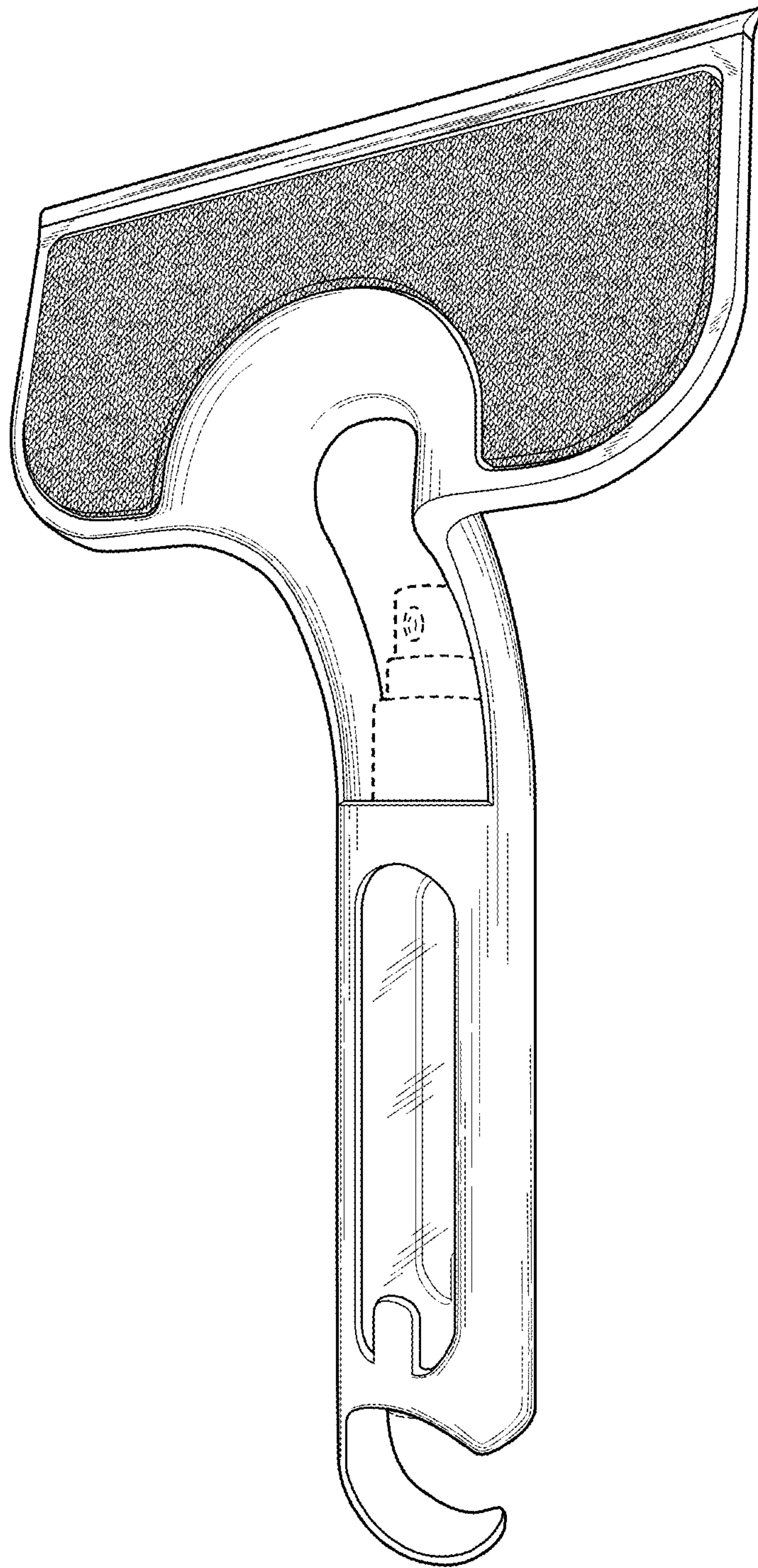


Fig.9