



US00D790787S

(12) **United States Design Patent** (10) **Patent No.:** **US D790,787 S**
Richiuso et al. (45) **Date of Patent:** **** Jun. 27, 2017**

(54) **POOL CLEANER**

(71) Applicant: **Pentair Water Pool and Spa, Inc.**,
Sanford, NC (US)
(72) Inventors: **Leonard Richiuso**, Sunnyvale, CA
(US); **Suresh Gopalan**, Milpitas, CA
(US)
(73) Assignee: **Pentair Water Pool and Spa, Inc.**,
Cary, NC (US)

(**) Term: **15 Years**

(21) Appl. No.: **29/551,190**

(22) Filed: **Jan. 11, 2016**

Related U.S. Application Data

(60) Continuation of application No. 29/531,987, filed on Jun. 30, 2015, now Pat. No. Des. 747,573, which is a continuation of application No. 29/531,991, filed on Jun. 30, 2015, now Pat. No. Des. 747,574, which is a division of application No. 29/458,323, filed on Jun. 18, 2013, now Pat. No. Des. 733,374, which is a continuation of application No. 29/403,243, filed on Oct. 3, 2011, now Pat. No. Des. 684,738.

(51) **LOC (10) Cl.** **15-05**

(52) **U.S. Cl.**
USPC **D32/31**

(58) **Field of Classification Search**
USPC D32/21-23, 31, 34
CPC G06N 3/008; A47L 9/2857; A47L 9/2842;
A47L 9/2852; A47L 9/00; A47L 9/325;
A47L 5/36-5/367; A47L 7/0019; A47L
7/0004; A47L 11/34; A47L 11/29; A47L
11/30; E04H 4/1654

See application file for complete search history.

(56) **References Cited**

U.S. PATENT DOCUMENTS

4,558,479 A	12/1985	Greskovics et al.	
4,589,986 A	5/1986	Greskovics et al.	
5,001,800 A	3/1991	Parenti et al.	
5,095,571 A	3/1992	Sargent	
D358,690 S *	5/1995	Hohulin	D32/31
D376,450 S	12/1996	Campbell et al.	
D384,782 S	10/1997	Geffer	
5,863,425 A	1/1999	Herlehy et al.	
D405,568 S *	2/1999	Mehaffey	D21/562
D409,341 S	5/1999	Van Etten et al.	
5,933,899 A	8/1999	Campbell et al.	
5,970,557 A	10/1999	Supra et al.	
D418,640 S	1/2000	Veloskey et al.	

(Continued)

FOREIGN PATENT DOCUMENTS

AU 732645 B2 4/2001

OTHER PUBLICATIONS

Zodiac Pool Systems, Inc.; Polaris 3900 Owner's Manual; pp. 1-12; 2008; Vista, CA 92081-8438.

Primary Examiner — Ruth McInroy

(74) *Attorney, Agent, or Firm* — Quarles & Brady LLP

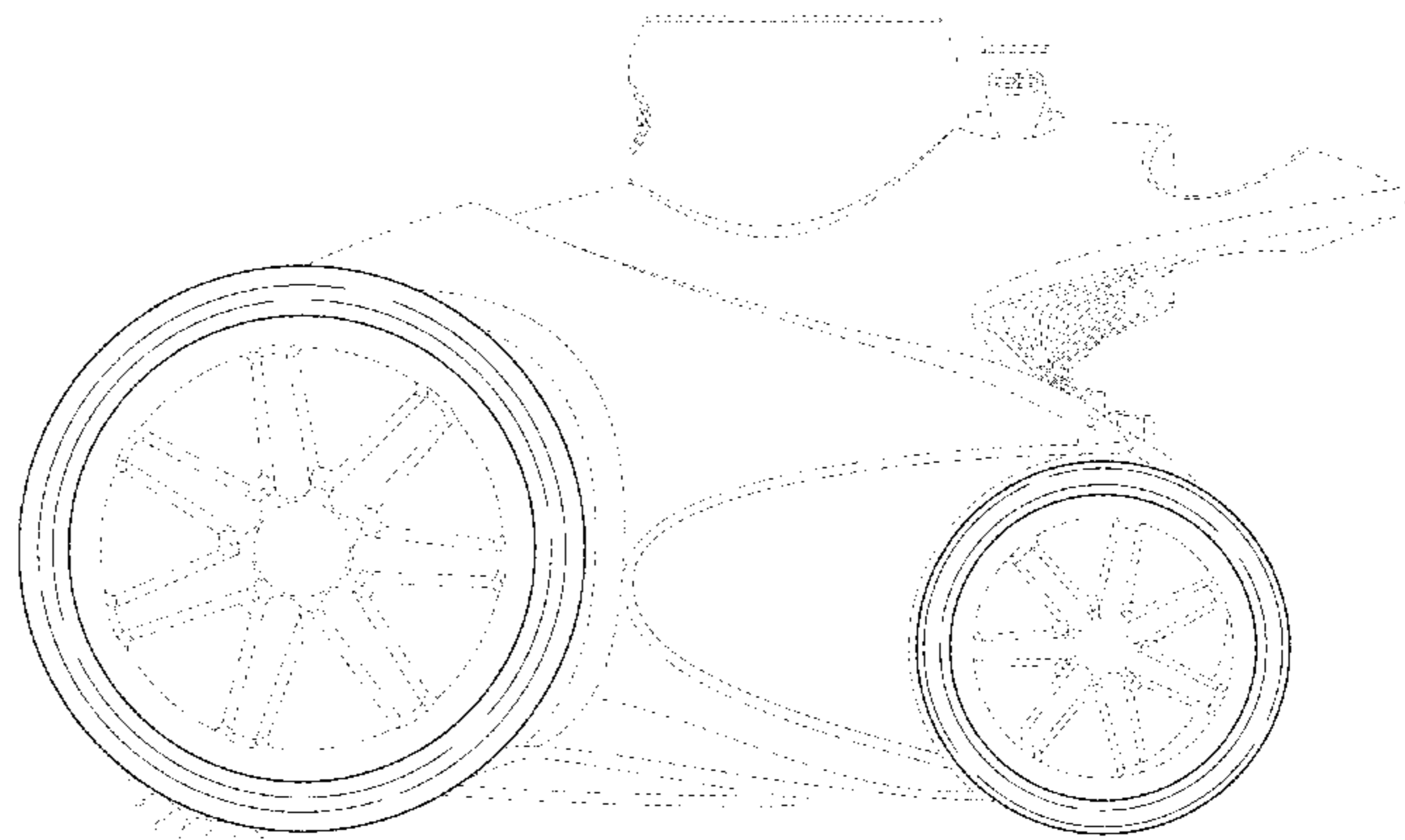
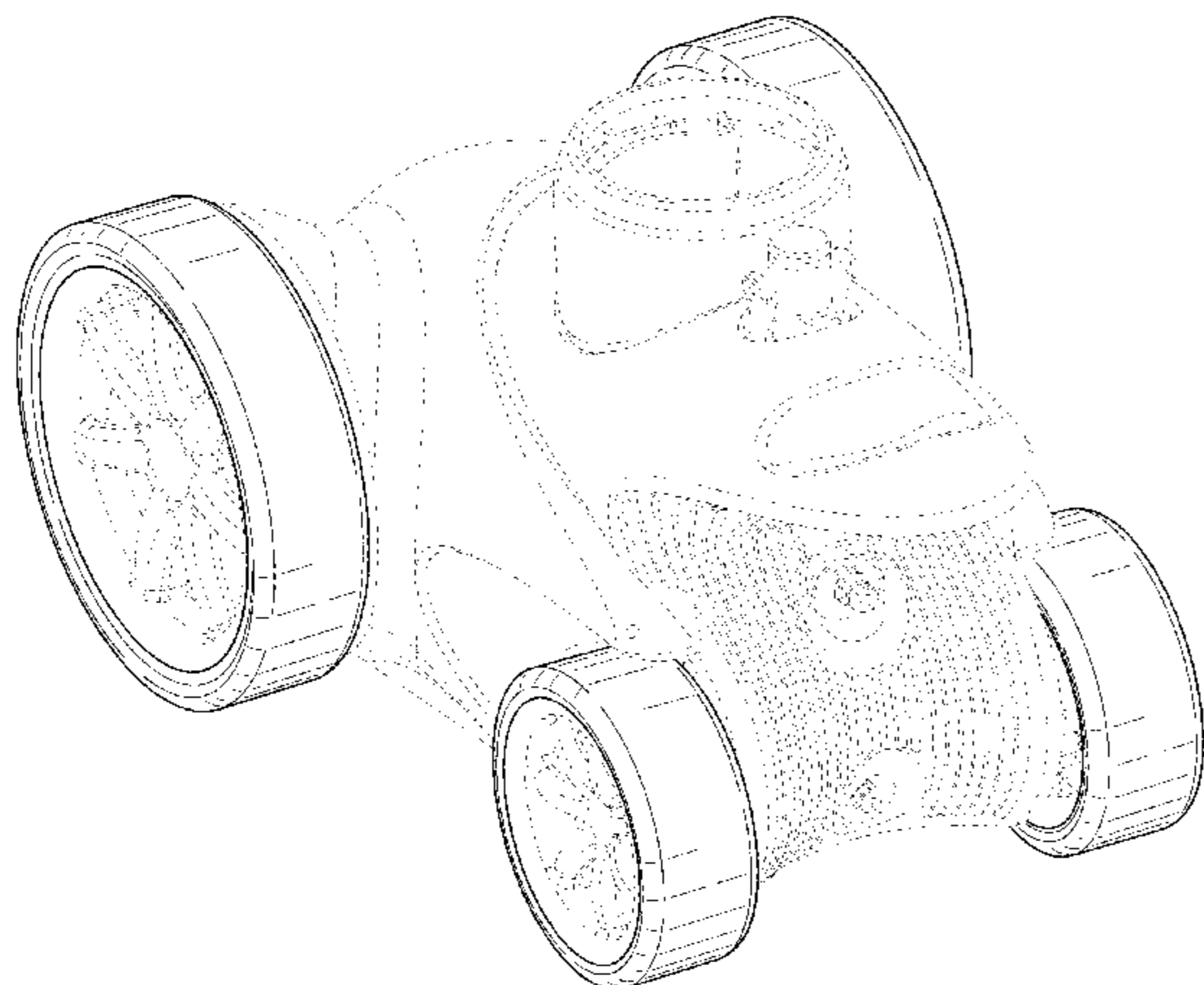
(57) **CLAIM**

The ornamental design for a pool cleaner, as shown and described.

DESCRIPTION

FIG. 1 is a rear, top and left side isometric view of a pool cleaner showing our new design;
FIG. 2 is a rear elevational view thereof;
FIG. 3 is a front elevational view thereof;
FIG. 4 is a left side elevational view thereof;
FIG. 5 is a top plan view thereof; and,
FIG. 6 is a bottom plan view thereof.
The broken lines are for the purpose of illustrating environmental structure and form no part of the claimed design.

1 Claim, 6 Drawing Sheets



(56)

References Cited

U.S. PATENT DOCUMENTS

D421,512 S 3/2000 Campbell
 D468,067 S 12/2002 Stoltz et al.
 D469,589 S * 1/2003 Wichmann D32/15
 D471,330 S * 3/2003 Campbell D32/21
 D481,181 S * 10/2003 Lath D32/31
 6,665,900 B2 12/2003 Wichmann et al.
 D485,652 S 1/2004 Erlich
 6,836,929 B2 1/2005 Kim
 6,854,148 B1 2/2005 Rief et al.
 D518,253 S 3/2006 Erlich et al.
 D522,191 S 5/2006 Erlich
 7,060,182 B2 6/2006 Erlich et al.
 7,273,546 B2 9/2007 Meritt-Powell
 D563,065 S * 2/2008 Yoon D32/31
 D563,066 S * 2/2008 Shevlin D32/31
 D575,915 S 8/2008 Dreyer
 D581,611 S 11/2008 van der Meijden et al.
 D582,112 S 12/2008 van der Meijden et al.
 D582,617 S 12/2008 van der Meijden et al.
 D584,209 S 1/2009 Klimas
 7,520,015 B1 4/2009 Ajello
 D594,610 S 6/2009 Klimas
 D598,168 S 8/2009 Sumonthee
 D599,967 S * 9/2009 Blanc-Tailleur D32/1
 7,636,975 B2 12/2009 Mah et al.

D613,470 S * 4/2010 Svantesson D32/31
 D614,368 S * 4/2010 Svantesson D32/31
 7,690,066 B2 4/2010 Stoltz et al.
 7,721,370 B2 5/2010 Gopalan
 7,867,389 B2 1/2011 Hui
 8,117,704 B2 2/2012 Schneider et al.
 8,141,191 B2 3/2012 Hui
 D670,460 S * 11/2012 Mastio D32/21
 D684,738 S * 6/2013 Richiuso D32/21
 D721,460 S * 1/2015 Hanan D32/21
 D733,983 S * 7/2015 Yun D32/31
 9,119,463 B2 * 9/2015 Gopalan E04H 4/1654
 D747,573 S * 1/2016 Richiuso D32/21
 2003/0182742 A1 10/2003 Wichmann et al.
 2003/0205513 A1 11/2003 Stoltz et al.
 2004/0089593 A1 5/2004 Campbell
 2005/0035039 A1 2/2005 Erlich
 2005/0236310 A1 10/2005 Meritt-Powell
 2005/0247613 A1 11/2005 Bishop et al.
 2006/0265820 A1 11/2006 Erlich et al.
 2007/0289075 A1 12/2007 Gopalan
 2008/0109972 A1 5/2008 Mah et al.
 2009/0229061 A1 9/2009 Stoltz et al.
 2009/0300862 A1 12/2009 Schneider et al.
 2009/0307854 A1 12/2009 Garti
 2011/0088181 A1 4/2011 Rief et al.
 2012/0074050 A1 3/2012 Rief et al.
 2013/0081216 A1 4/2013 Gopalan et al.

* cited by examiner

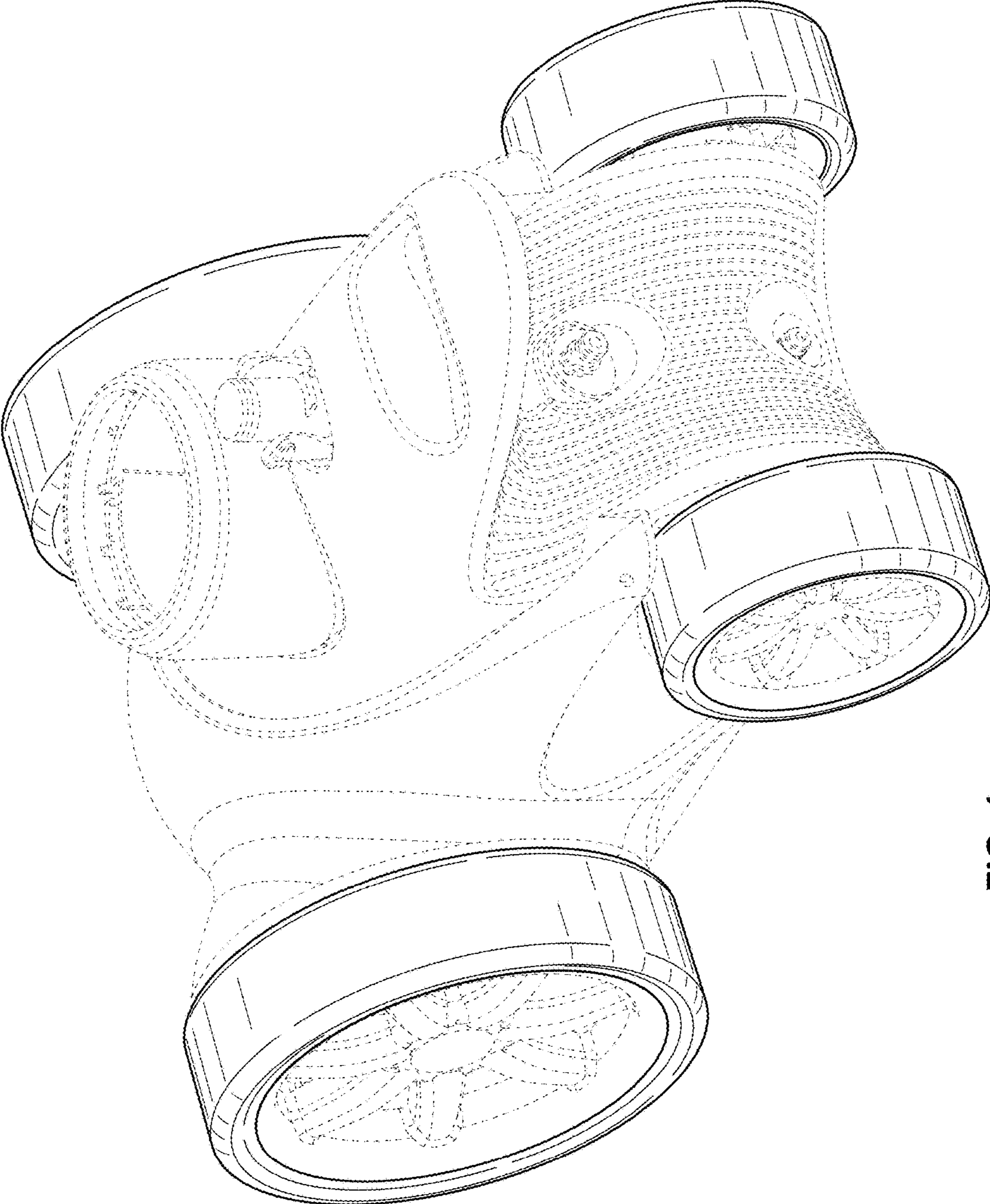


FIG. 1

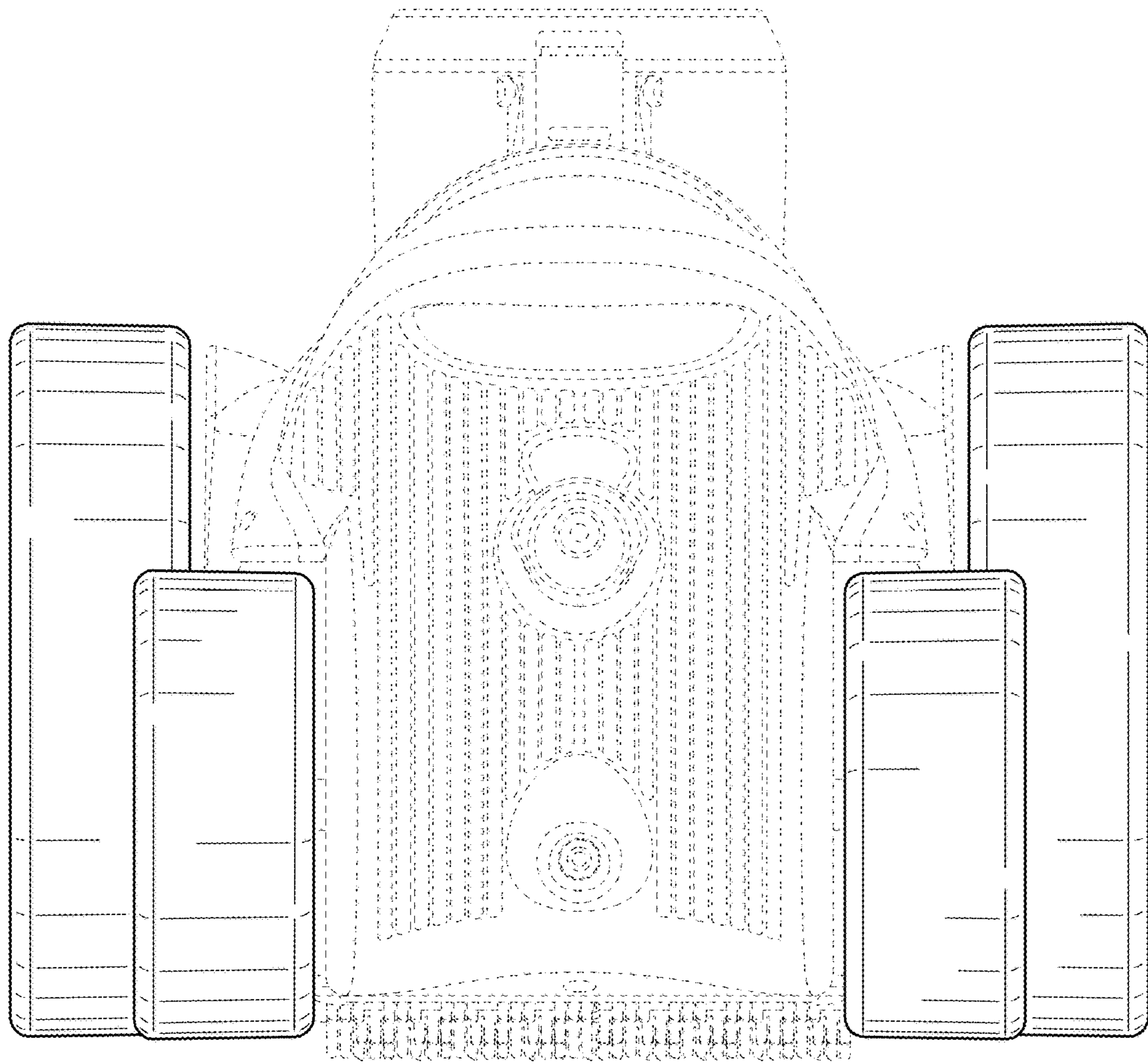


FIG. 2

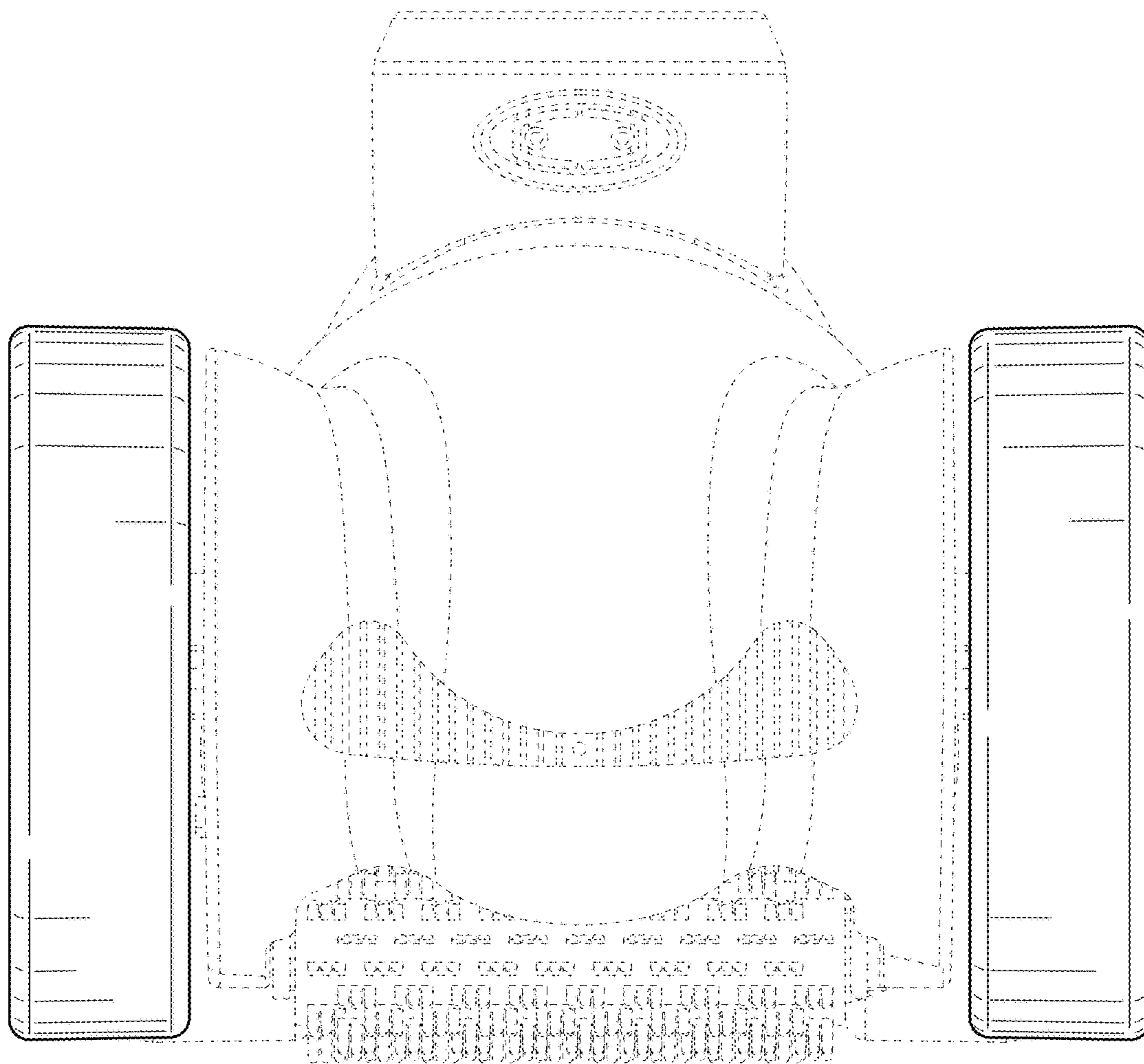


FIG. 3

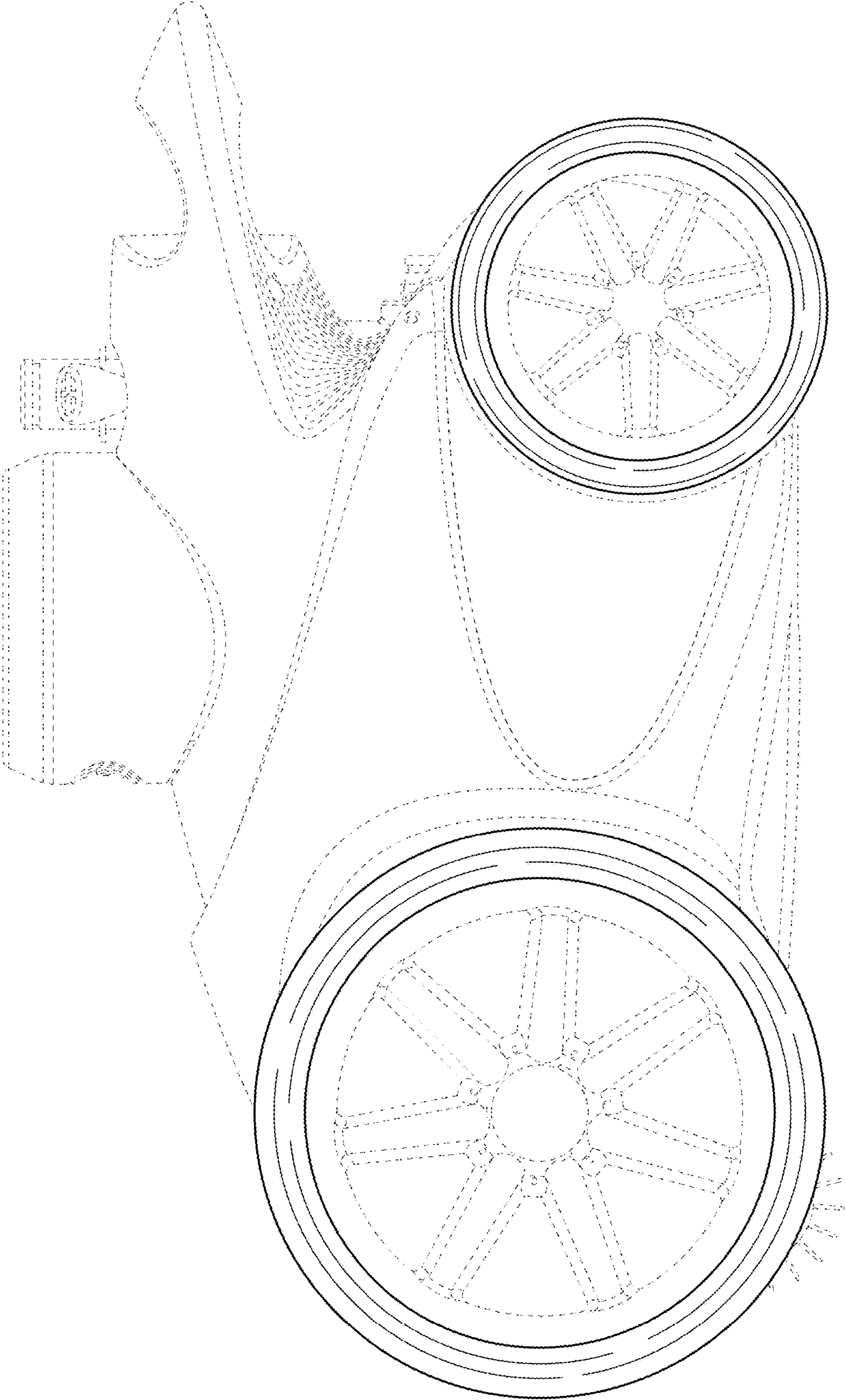


FIG. 4

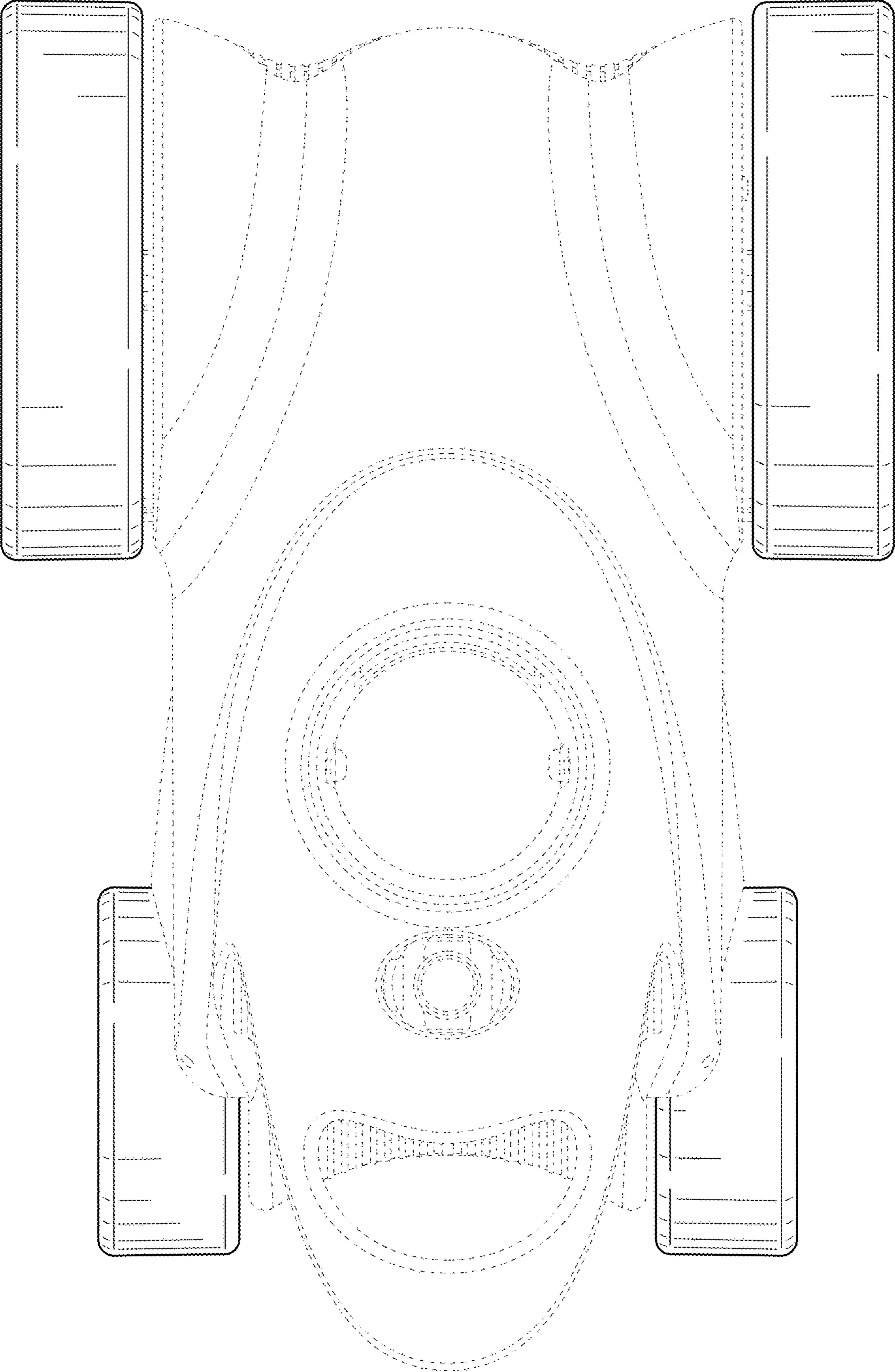


FIG. 5

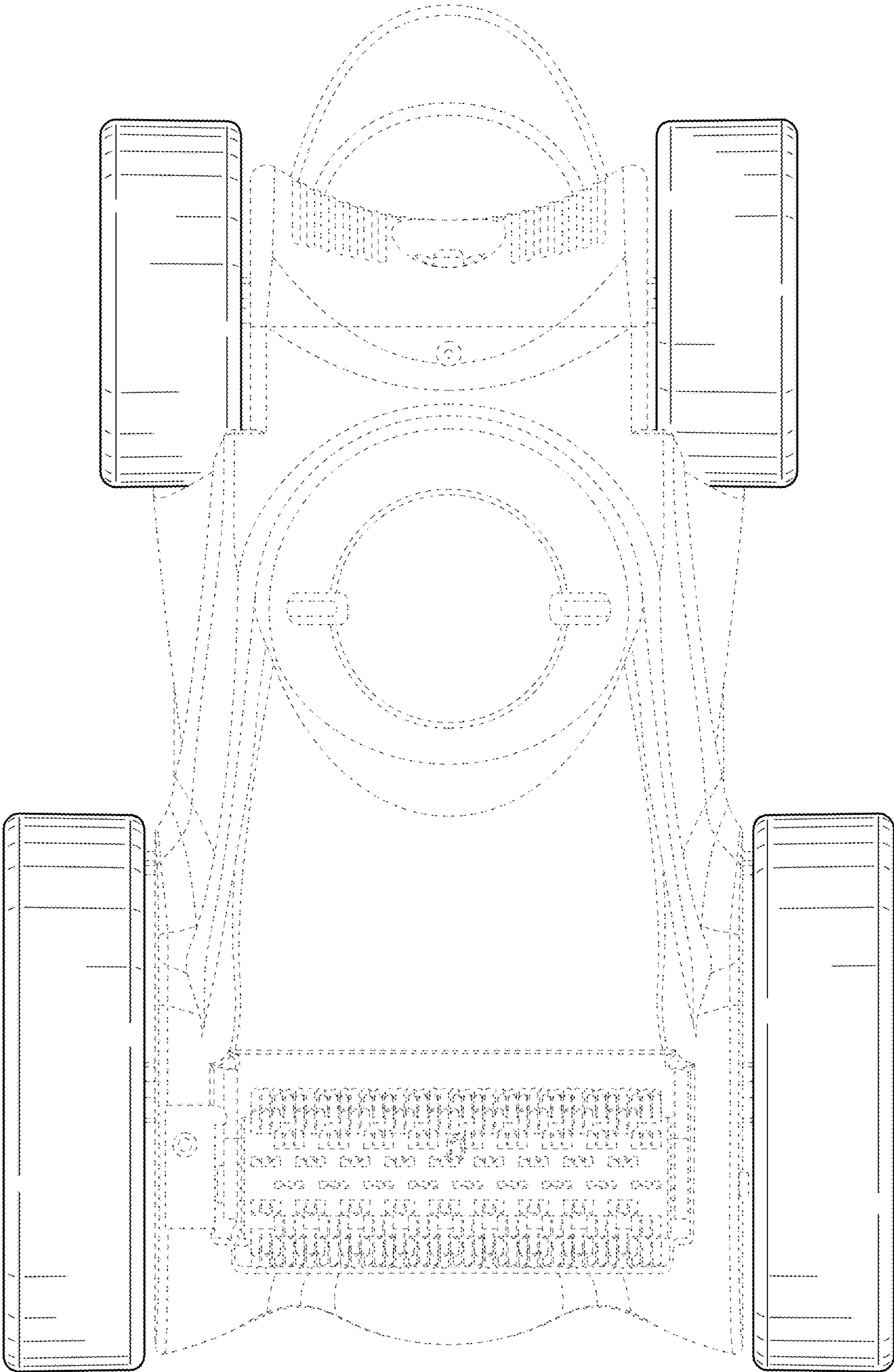


FIG. 6