



US00D790784S

(12) **United States Design Patent**
Bruneel

(10) **Patent No.:** **US D790,784 S**
(45) **Date of Patent:** **** Jun. 27, 2017**

- (54) **AUTOMATIC POOL CLEANER**
- (71) Applicant: **Kokido Development Limited,**
Kowloon (HK)
- (72) Inventor: **Jean Julien Bruneel,** Kowloon (HK)
- (**) Term: **15 Years**
- (21) Appl. No.: **29/541,006**
- (22) Filed: **Sep. 30, 2015**
- (51) **LOC (10) Cl.** **15-05**
- (52) **U.S. Cl.**
USPC **D32/22**
- (58) **Field of Classification Search**
USPC D32/17-18, 21-22, 31-34
CPC A47L 9/02; A47L 9/2842; A47L 9/0461;
E04H 4/1654; E04H 4/169; E04H 4/1609;
E04H 4/1618; E04H 4/1636; E04H 4/16;
E01H 1/0836
See application file for complete search history.

- 5,930,856 A * 8/1999 Van Der Meyden . E04H 4/1654
15/1.7
- D430,364 S * 8/2000 Supra D32/1
- D436,700 S * 1/2001 Forbes D32/25
- D443,959 S * 6/2001 Leibson D32/15
- 6,473,928 B1 * 11/2002 Veloskey E04H 4/1663
137/624.14
- D487,826 S * 3/2004 Supra D32/25
- D522,700 S * 6/2006 Rademeyer D32/15
- 7,178,188 B1 * 2/2007 Jaakola E04H 4/1636
15/1.7
- D581,607 S * 11/2008 van der Meijden D32/15
- 7,520,015 B1 * 4/2009 Ajello E04H 4/1636
15/1.7
- D605,370 S * 12/2009 Kellogg D32/21
- D611,664 S * 3/2010 Sebor D32/15
- D611,665 S * 3/2010 Braithwaite D32/18
- D630,810 S * 1/2011 Bruneel D32/21
- D637,779 S * 5/2011 Bruneel D32/33
- D660,526 S * 5/2012 Erlich D32/18
- D681,889 S * 5/2013 Bruneel D32/25
- D685,541 S * 7/2013 Sebor D32/15
- D713,110 S * 9/2014 Erlich D32/31

(Continued)

Primary Examiner — Ruth McNroy

(74) *Attorney, Agent, or Firm* — Bei & Ocean; George G. Wang

(56) **References Cited**

U.S. PATENT DOCUMENTS

- 3,961,393 A * 6/1976 Pansini E04H 4/1618
15/1.7
- 4,193,156 A * 3/1980 Chauvier E04H 4/1663
15/1.7
- 4,443,899 A * 4/1984 Johnson A61H 33/6021
15/1.7
- 4,935,980 A * 6/1990 Leginus E04H 4/16
15/1.7
- D325,796 S * 4/1992 Kallenbach D32/1
- D346,888 S * 5/1994 Stone D32/1
- 5,546,982 A * 8/1996 Clark E04H 4/1654
137/557
- 5,799,351 A * 9/1998 Rief E04H 4/1663
15/1.7
- 5,882,512 A * 3/1999 Denkwicz, Jr. C02F 1/688
137/268

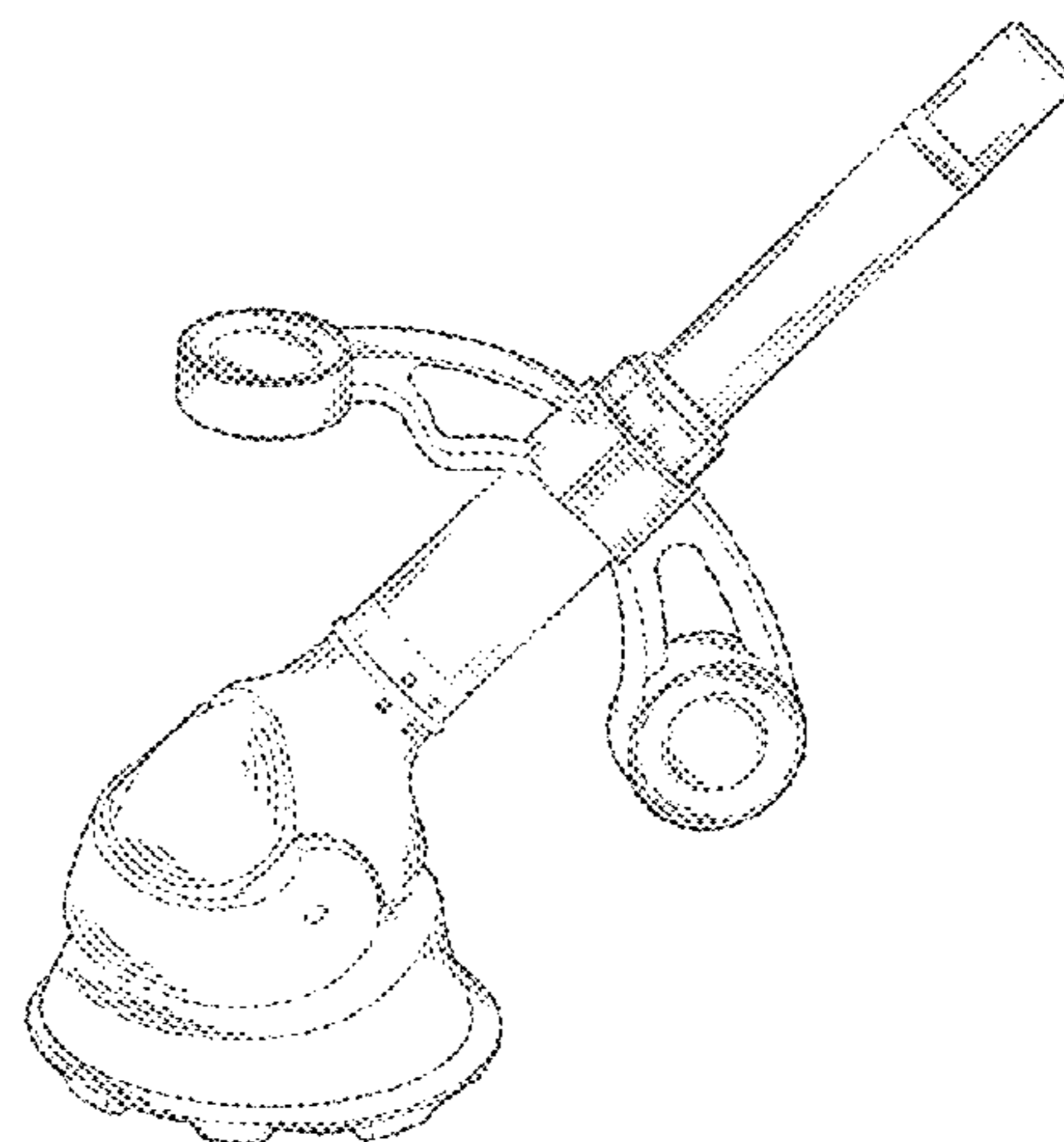
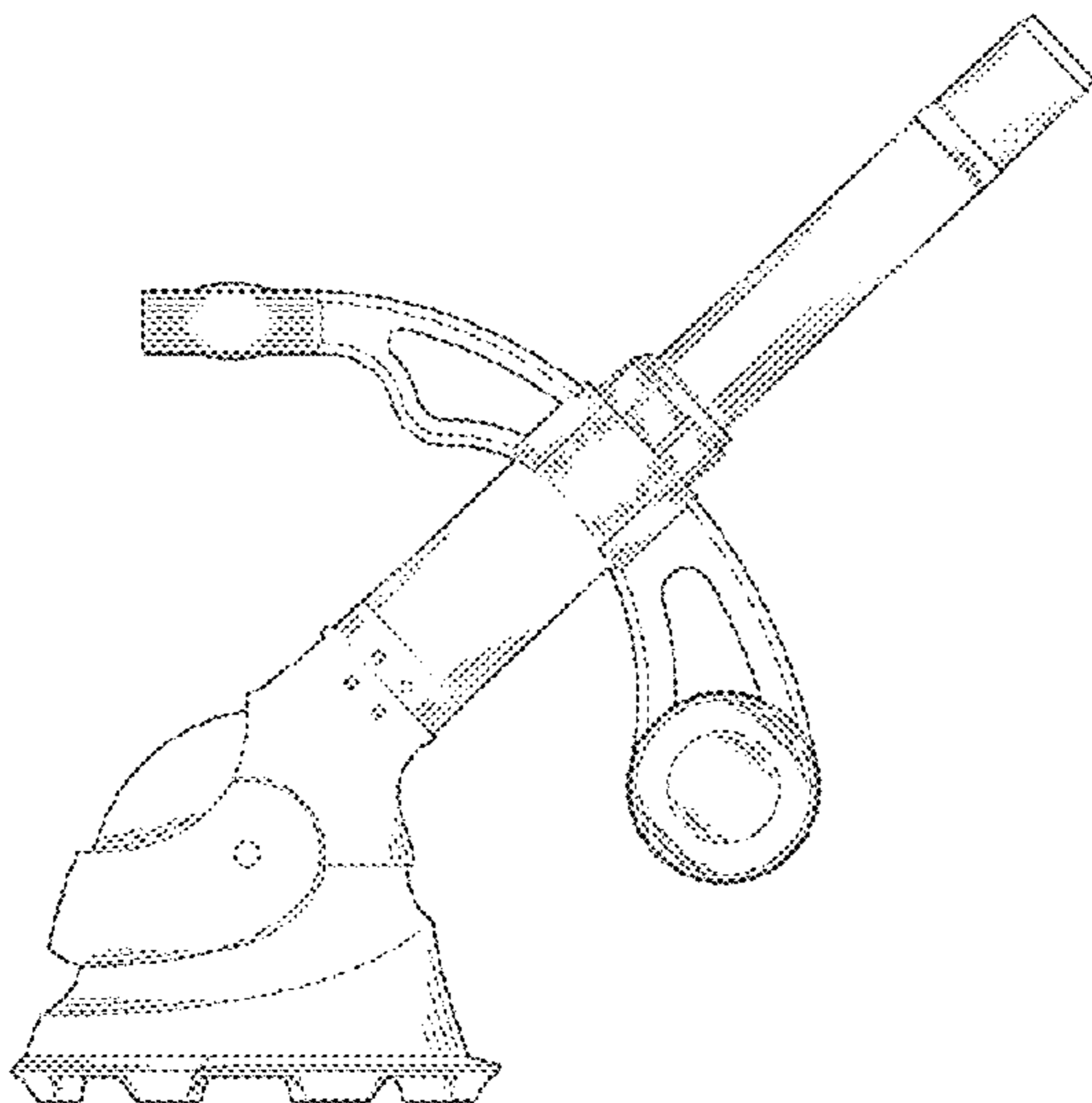
(57) **CLAIM**

The ornamental design for an automatic pool cleaner, as shown and described.

DESCRIPTION

FIG. 1 is a front view of an automatic pool cleaner showing our new design;
FIG. 2 is a rear view thereof;
FIG. 3 is a left side view thereof;
FIG. 4 is a right side view thereof;
FIG. 5 is a top view thereof; and,
FIG. 6 is a perspective view thereof.

1 Claim, 6 Drawing Sheets



(56)

References Cited

U.S. PATENT DOCUMENTS

2002/0116772 A1* 8/2002 Phillipson E04H 4/1663
15/1.7
2005/0006288 A1* 1/2005 Bauckman E04H 4/1663
210/167.16
2005/0126969 A1* 6/2005 Dolton E04H 4/1609
210/167.17
2005/0247613 A1* 11/2005 Bishop E04H 4/1654
210/167.16
2007/0056124 A1* 3/2007 Wichmann E04H 4/1663
15/1.7
2008/0276388 A1* 11/2008 Dodd E04H 4/1663
15/1.7
2008/0313827 A1* 12/2008 Paxton A01K 61/003
15/1.7
2010/0043154 A1* 2/2010 Kellogg E04H 4/1663
15/1.7
2010/0122949 A1* 5/2010 Van Der Meijden B25G 1/04
210/167.19
2014/0284258 A1* 9/2014 Kellogg E04H 4/1663
210/167.16
2014/0310894 A1* 10/2014 van der Meijden .. E04H 4/1654
15/1.7
2015/0128361 A1* 5/2015 Erlich E04H 4/1636
15/1.7
2016/0032604 A1* 2/2016 Chen E04H 4/1636
210/167.16

* cited by examiner

FIG. 1

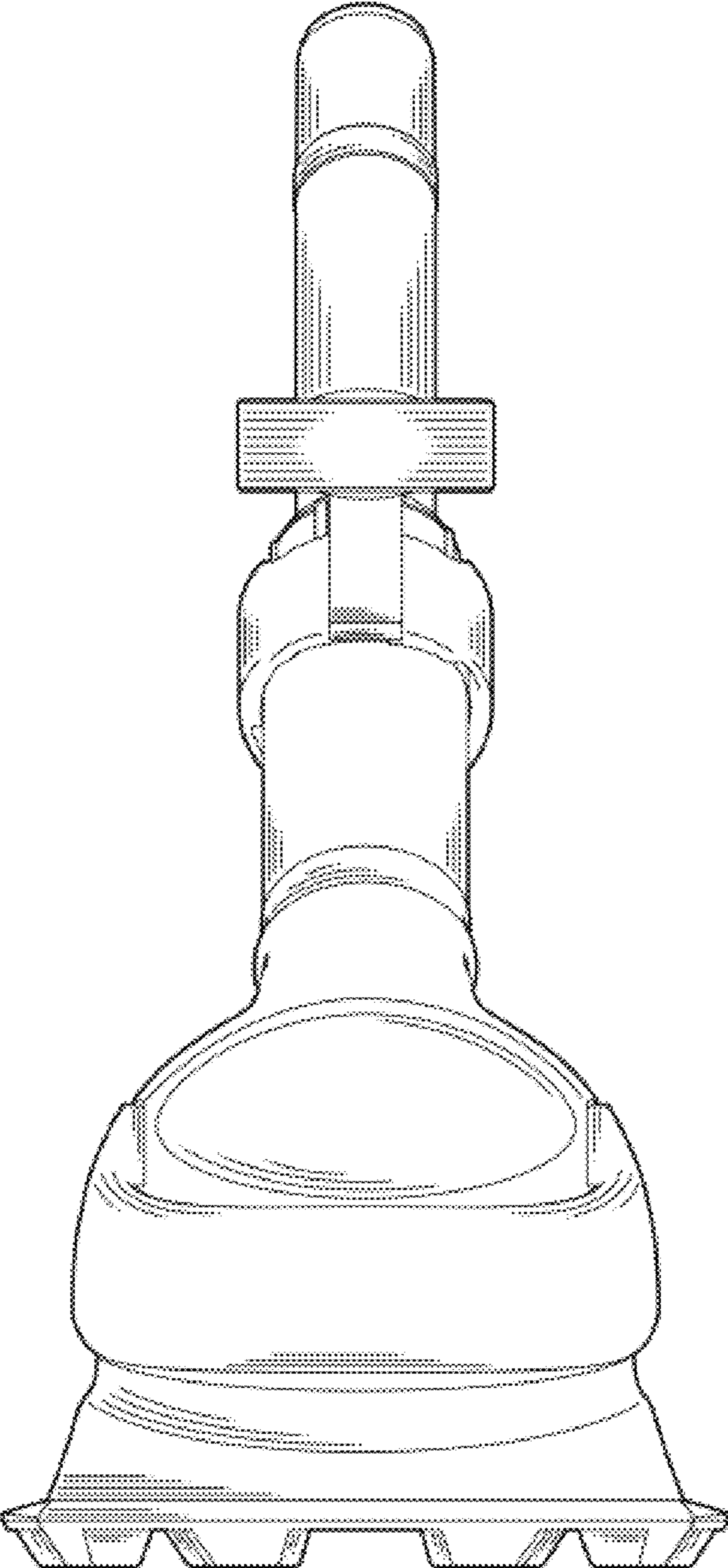


FIG. 2

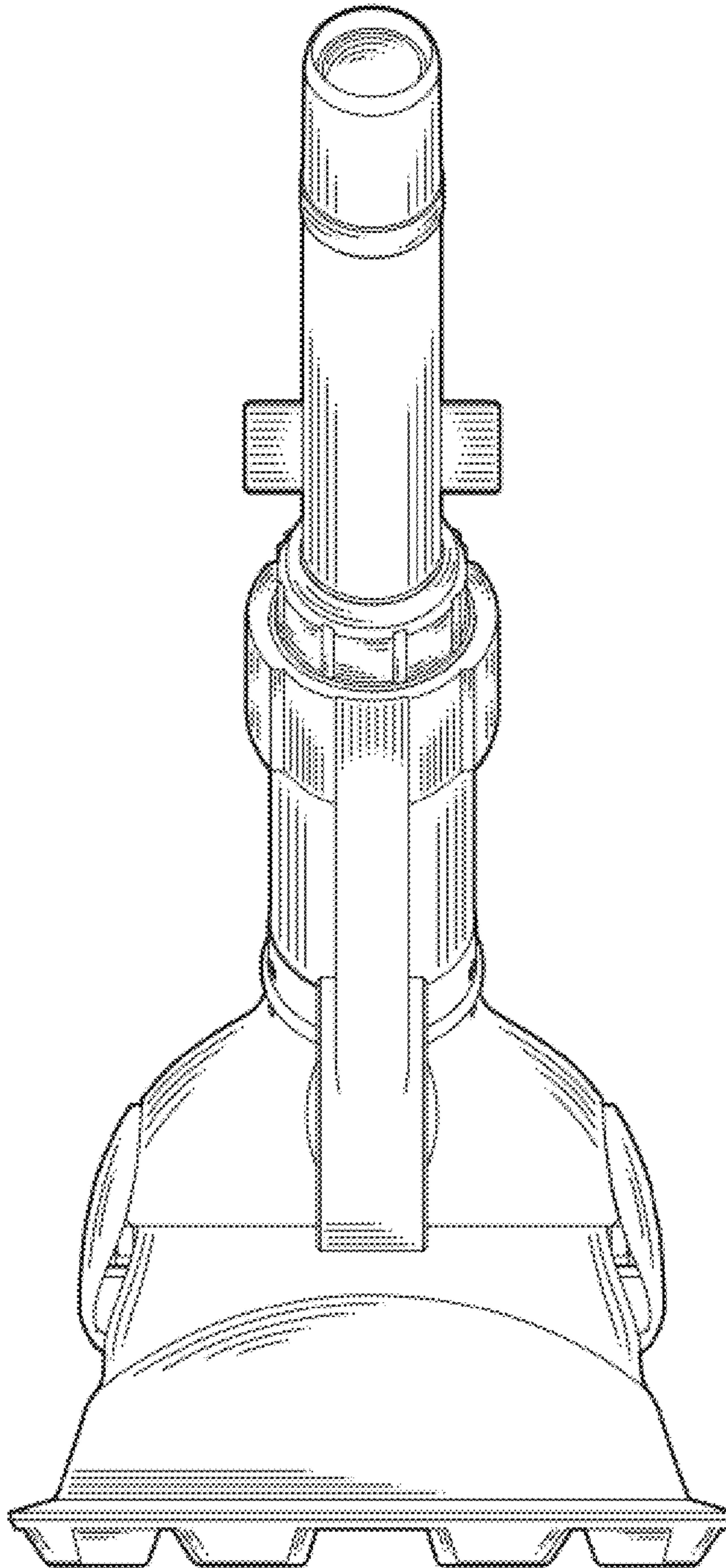


FIG. 3

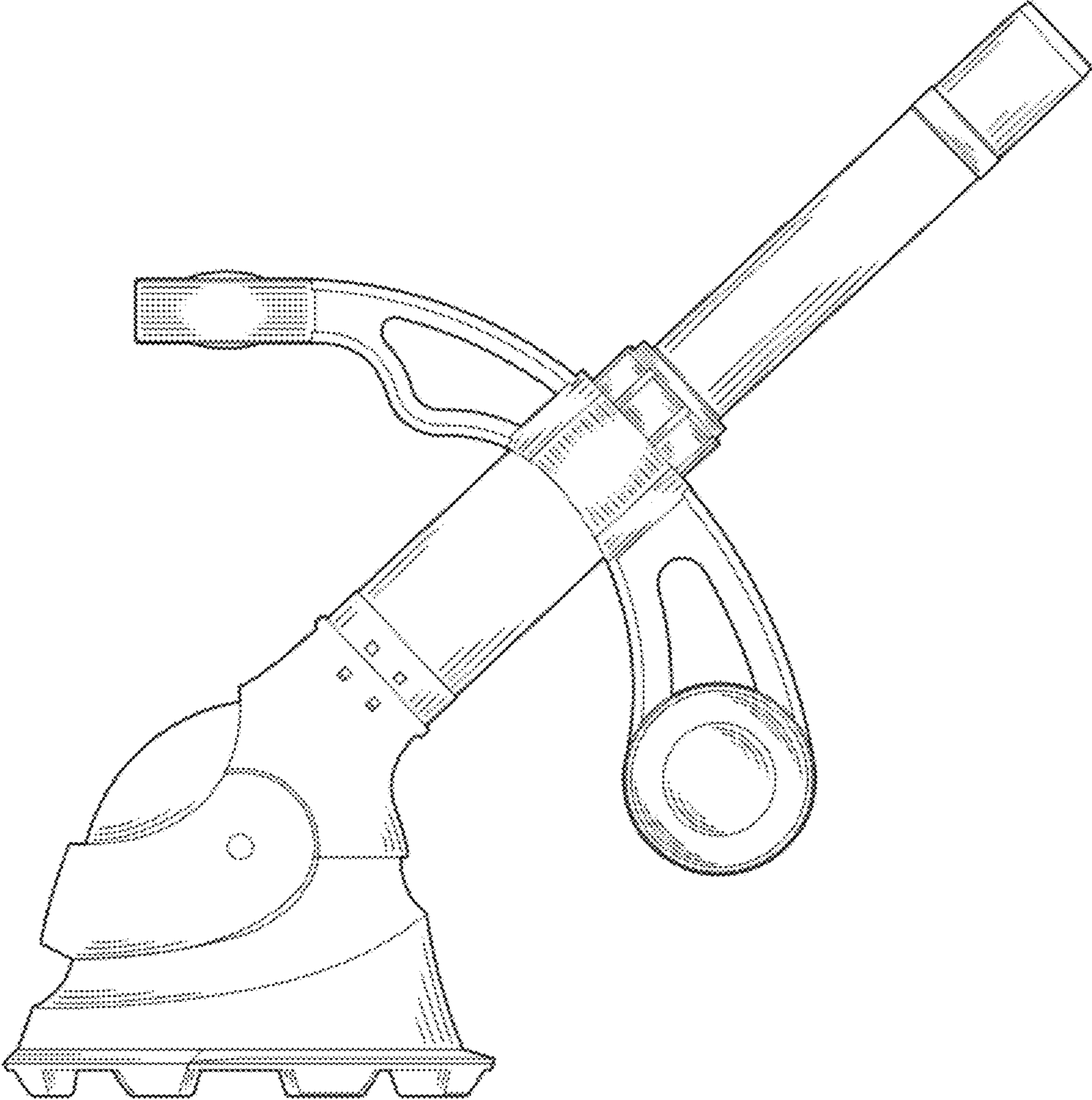


FIG. 4

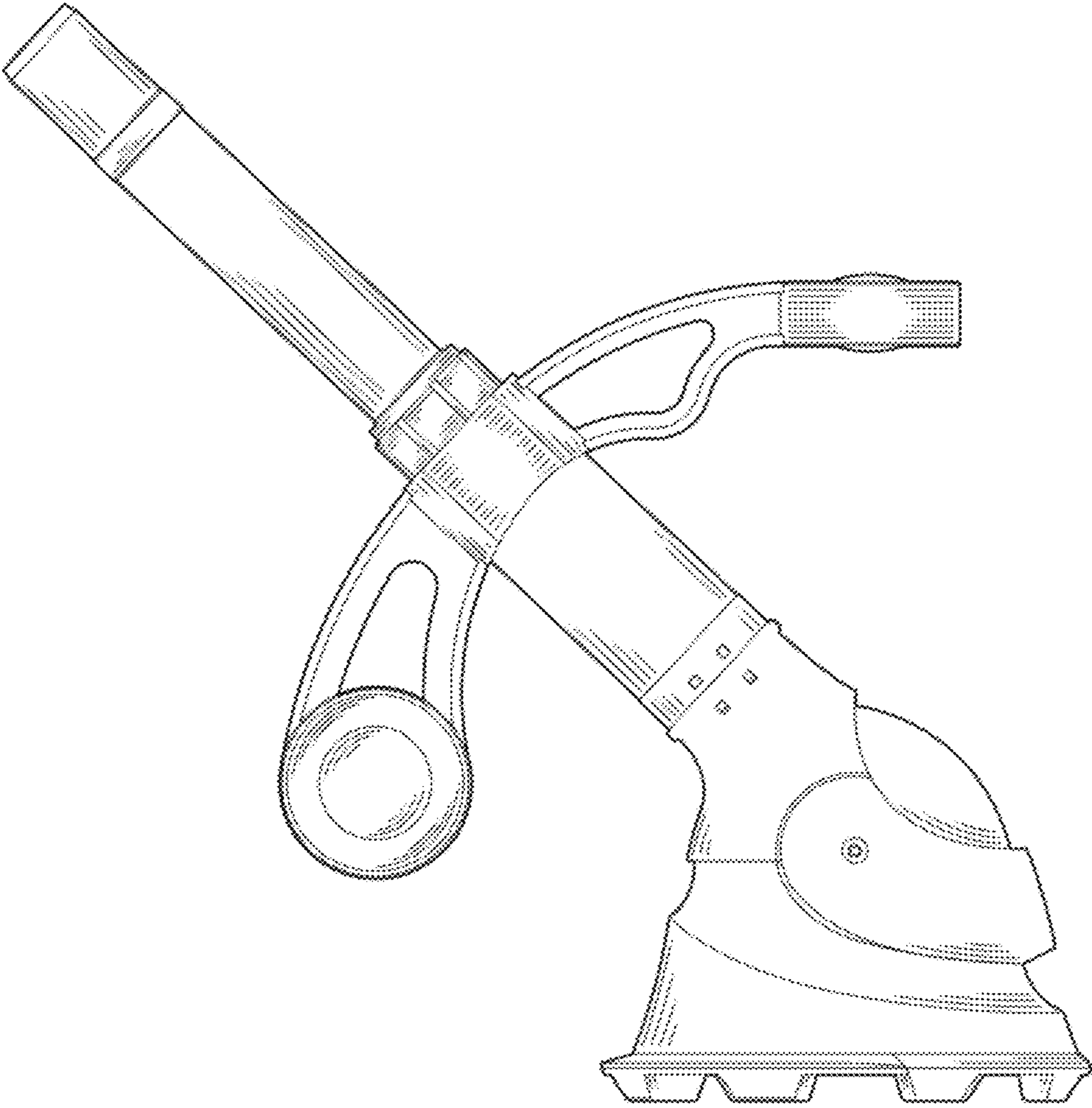


FIG. 5

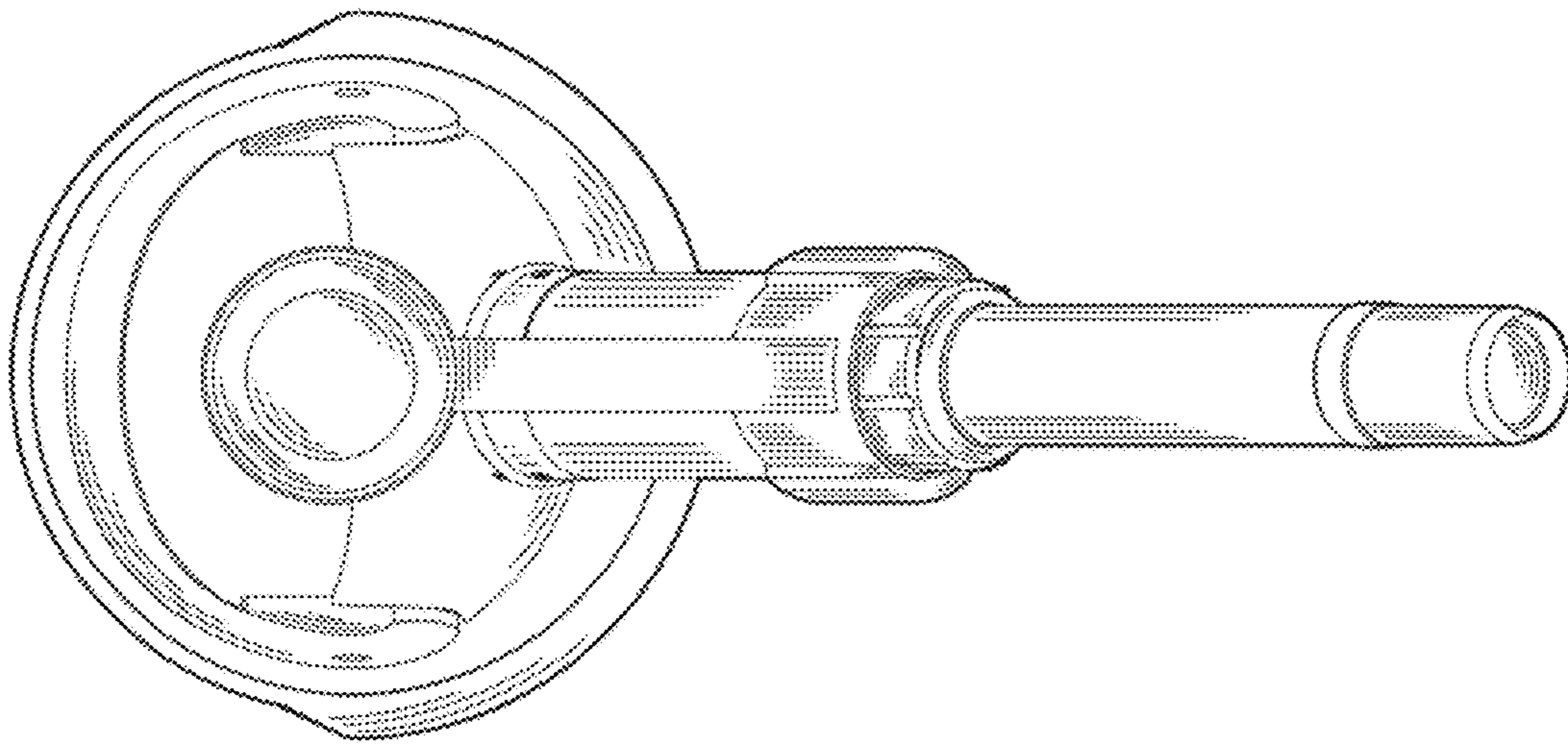


FIG. 6

