



US00D790783S

(12) **United States Design Patent**
Ogg

(10) **Patent No.:** **US D790,783 S**

(45) **Date of Patent:** **** Jun. 27, 2017**

(54) **VACUUM CLEANER**

(71) Applicant: **LG ELECTRONICS INC.**, Seoul
(KR)

(72) Inventor: **Anthony Ogg**, Edgewater, NJ (US)

(73) Assignee: **LG ELECTRONICS INC.**, Seoul
(KR)

(**) Term: **14 Years**

(21) Appl. No.: **29/515,953**

(22) Filed: **Jan. 28, 2015**

(51) **LOC (10) Cl.** **15-05**

(52) **U.S. Cl.**
USPC **D32/21**

(58) **Field of Classification Search**
USPC D32/21–22, 31, 34, 25
CPC A47L 11/34; A47L 11/29; A47L 11/30;
A47L 7/0019; A47L 7/0004; A47L
7/0023; A47L 9/00; A47L 9/1409; A47L
5/36–5/367; A47L 5/28; A47L 5/38
See application file for complete search history.

(56) **References Cited**

U.S. PATENT DOCUMENTS

D646,031 S * 9/2011 Carr D32/21
D702,901 S * 4/2014 Fjellman D32/21

D723,754 S * 3/2015 Yun D32/21
D724,281 S * 3/2015 Irfan D32/21
D724,799 S * 3/2015 Yun D32/21
D724,800 S * 3/2015 Irfan D32/21
D739,101 S * 9/2015 Springell D32/21
D746,524 S * 12/2015 Kim D32/21

* cited by examiner

Primary Examiner — Ruth McInroy

(74) *Attorney, Agent, or Firm* — Birch, Stewart,
Kolasch & Birch, LLP

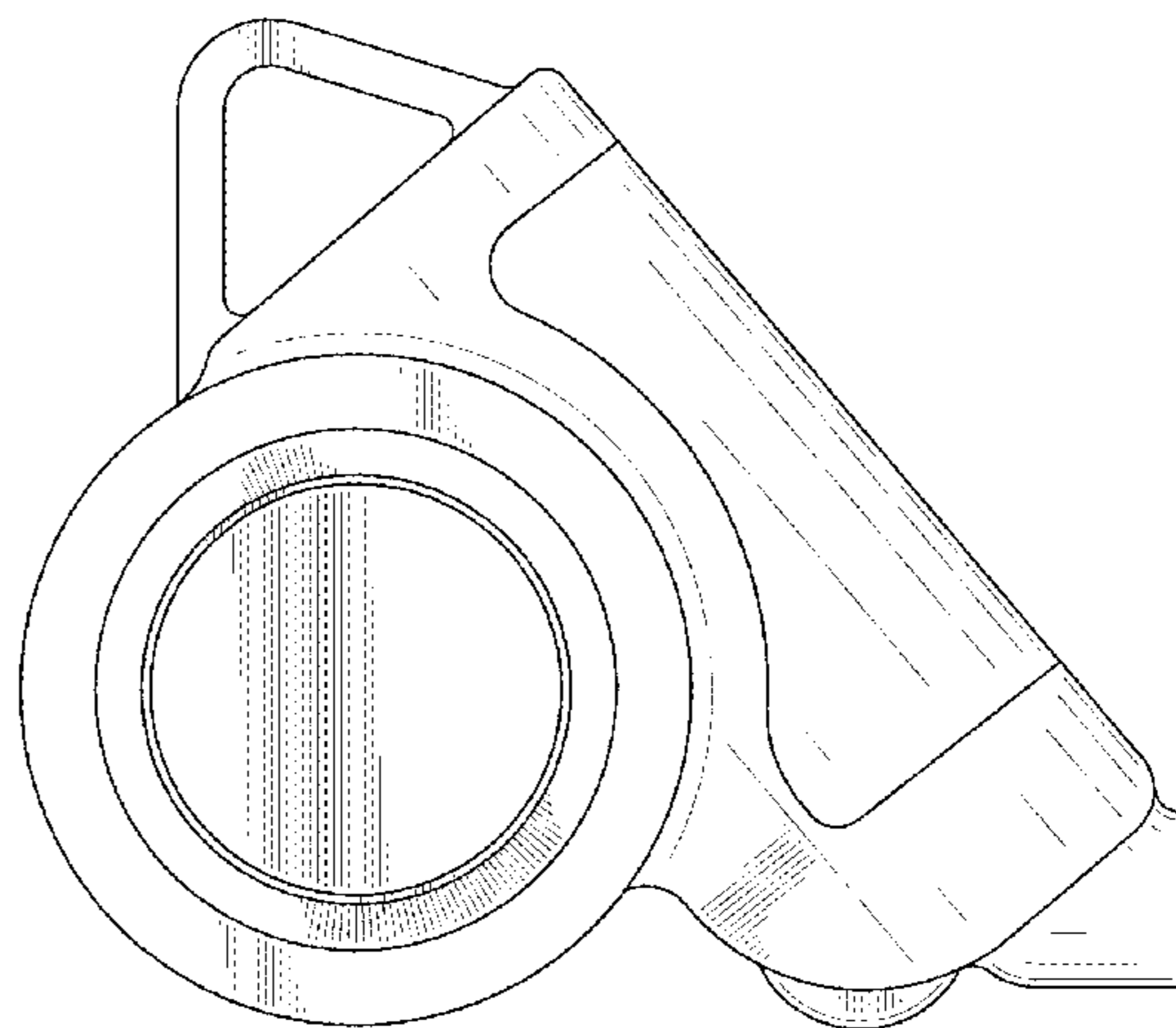
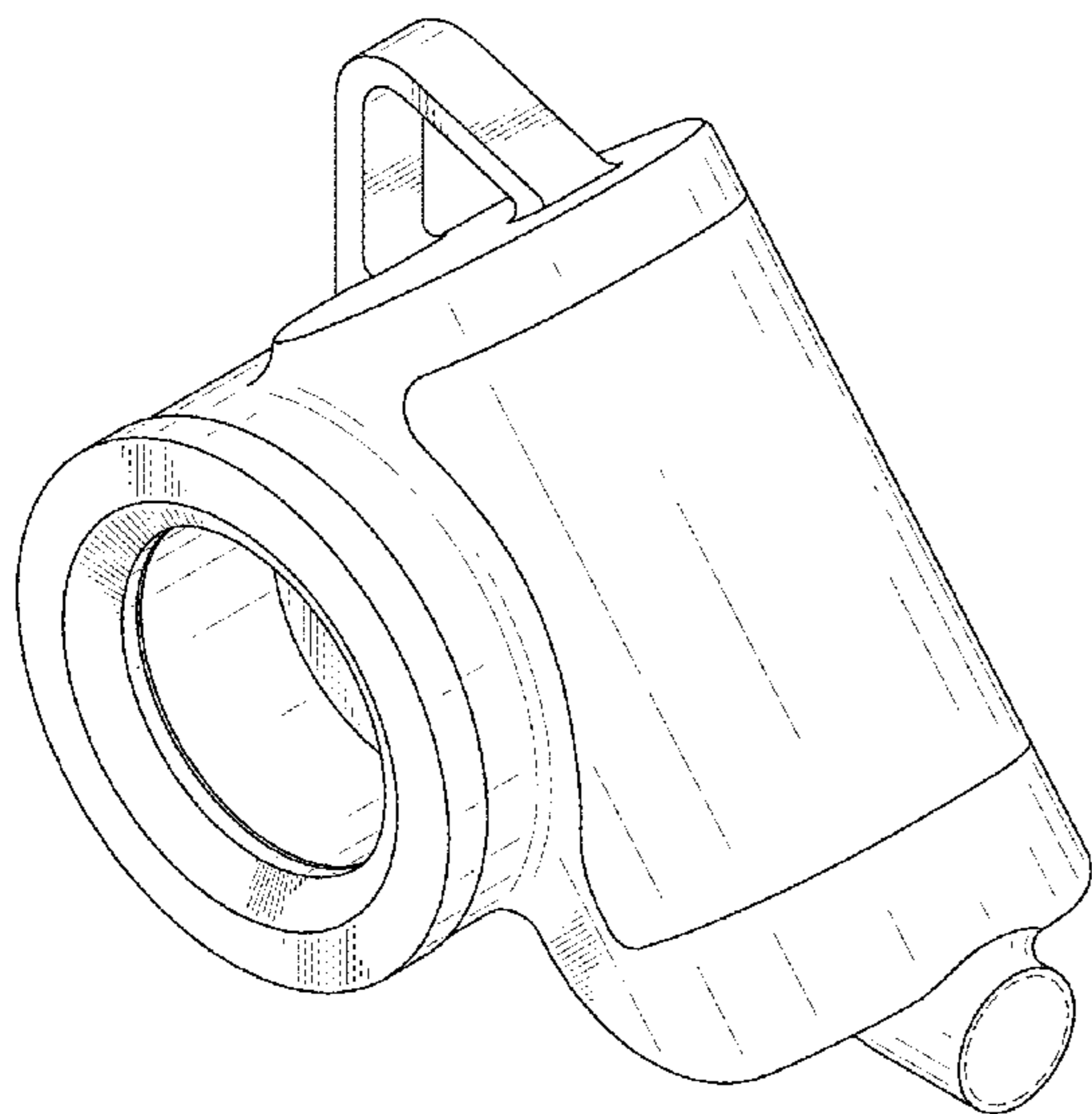
(57) **CLAIM**

I claim the ornamental design for a vacuum cleaner, as shown and described.

DESCRIPTION

FIG. 1 is a perspective view of a vacuum cleaner showing my new design;
FIG. 2 is a front elevation view thereof;
FIG. 3 is a rear elevation view thereof;
FIG. 4 is a left-side elevation view thereof;
FIG. 5 is a right-side elevation view thereof;
FIG. 6 is a top plan view thereof; and,
FIG. 7 is a bottom plan view thereof.
The broken lines in the drawing figures are included for the purpose of illustrating environment and form no part of the claimed design.

1 Claim, 4 Drawing Sheets



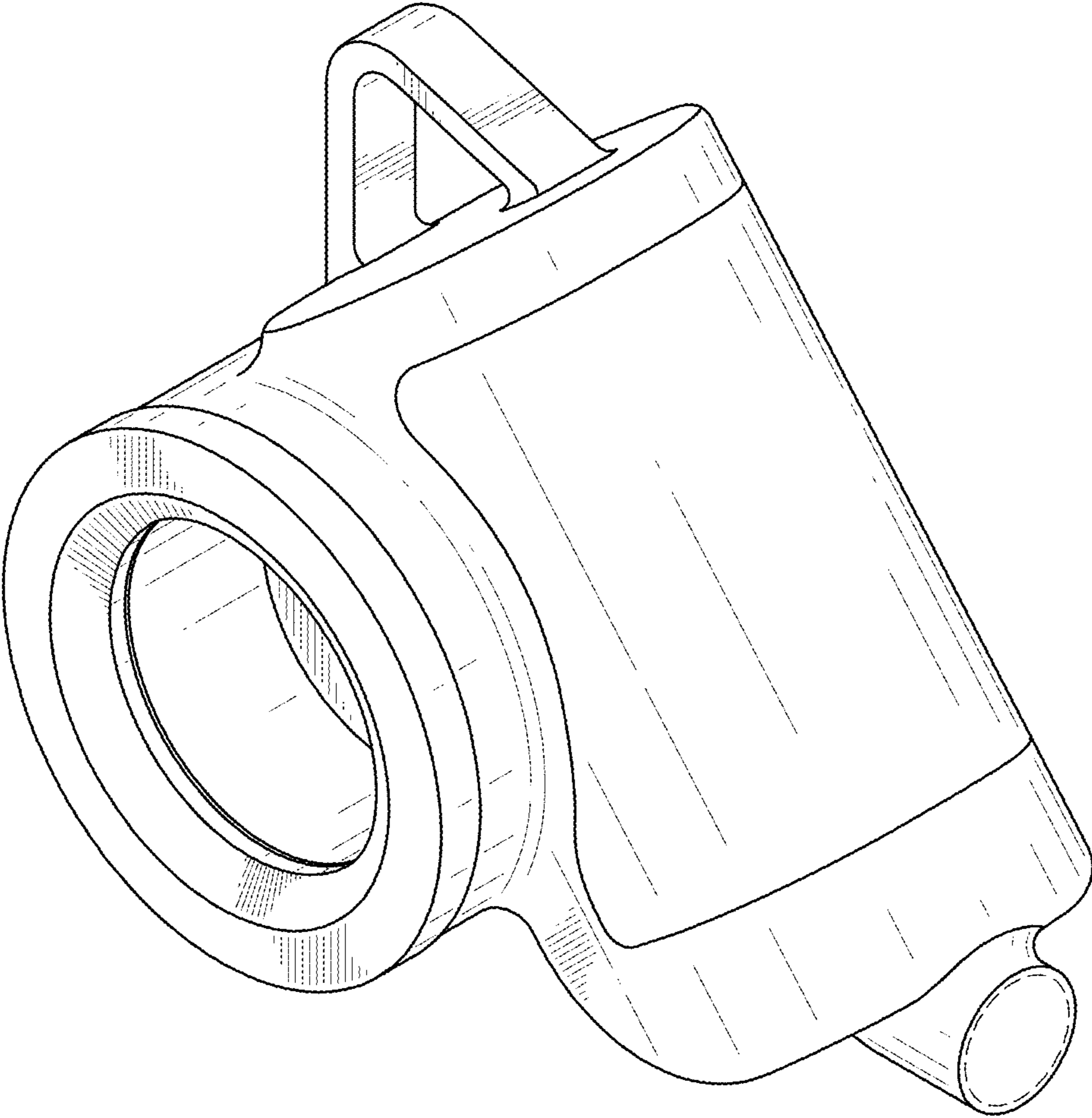


FIG.1

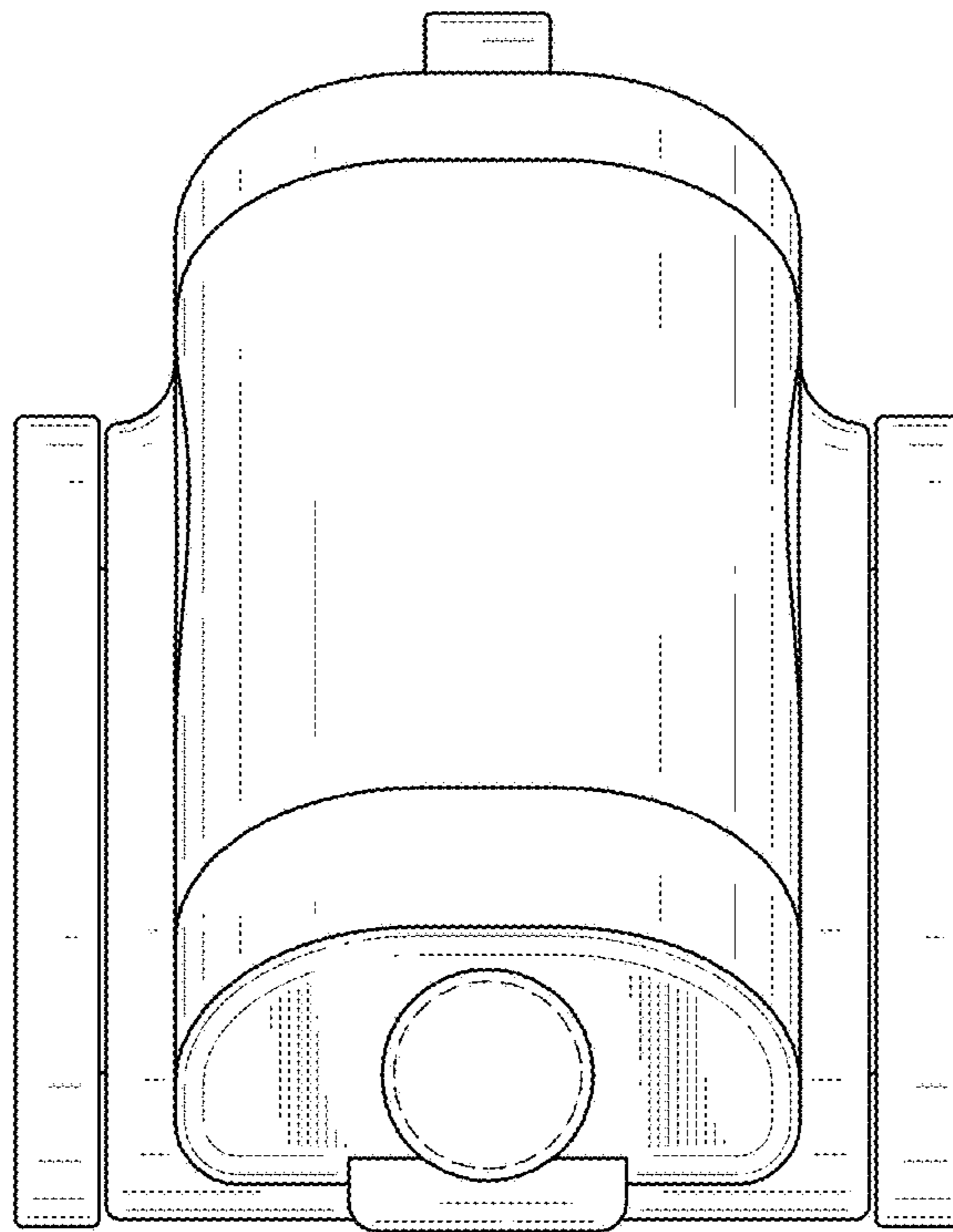


FIG. 2

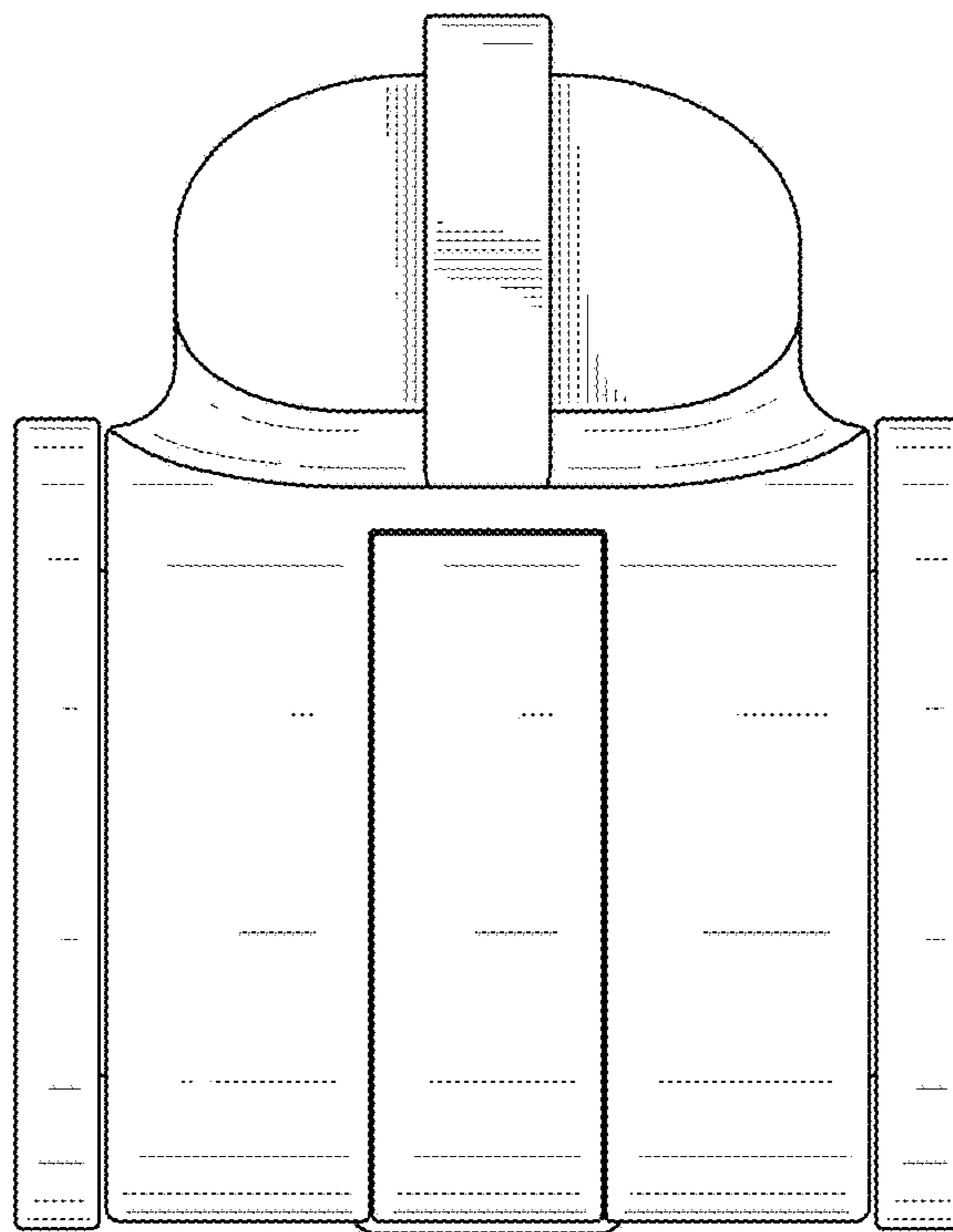


FIG. 3

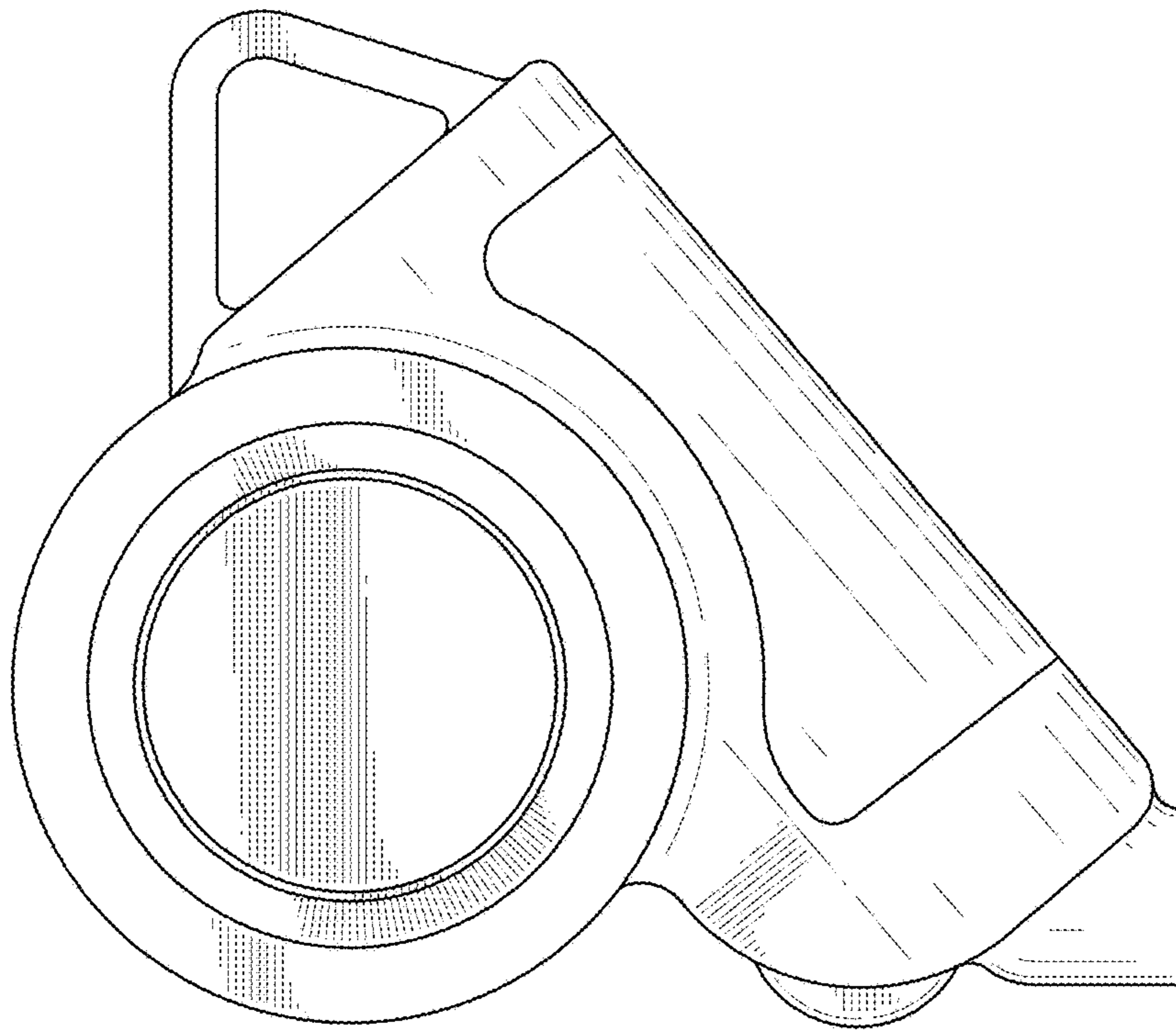


FIG.4

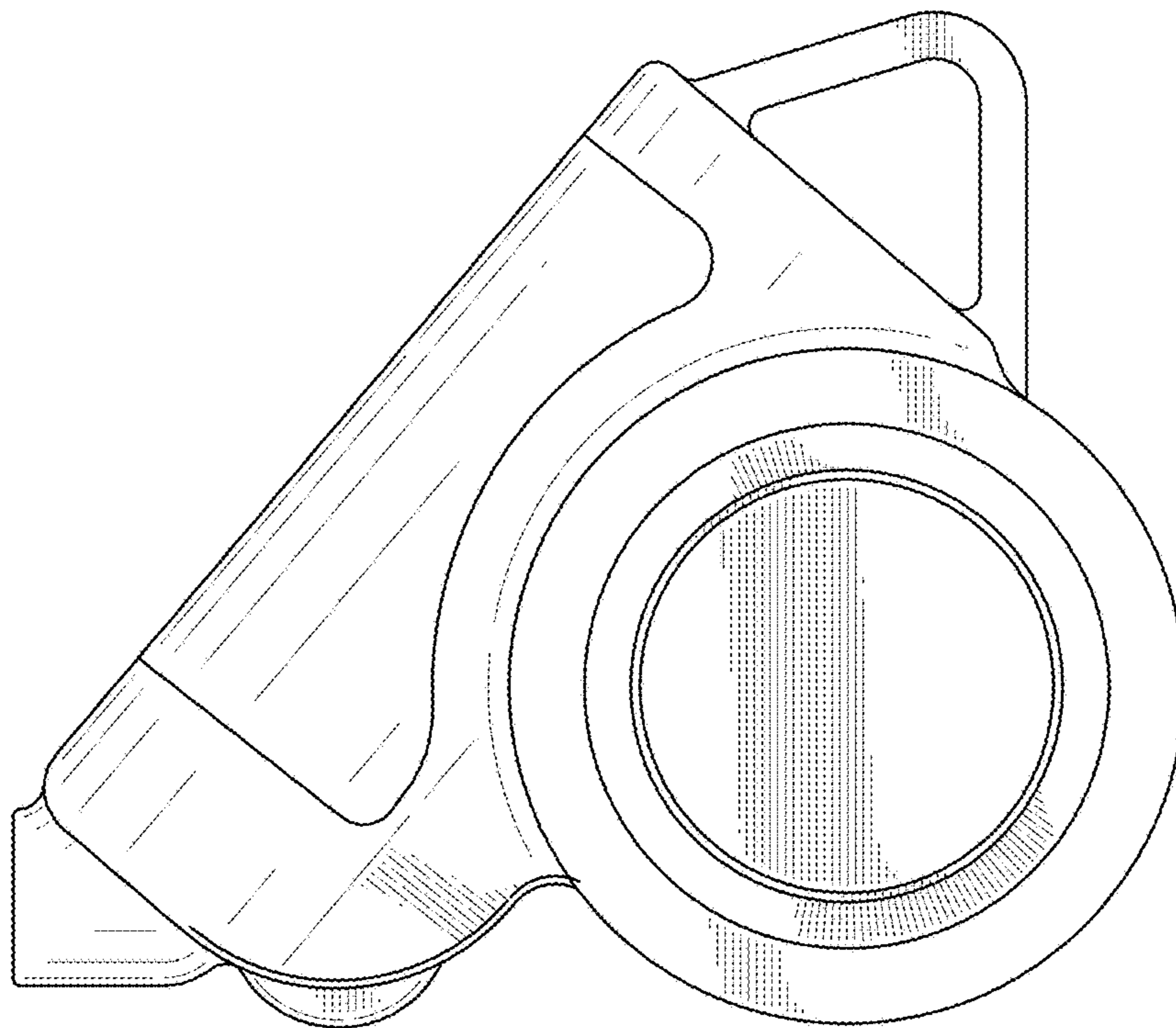


FIG.5

FIG.6

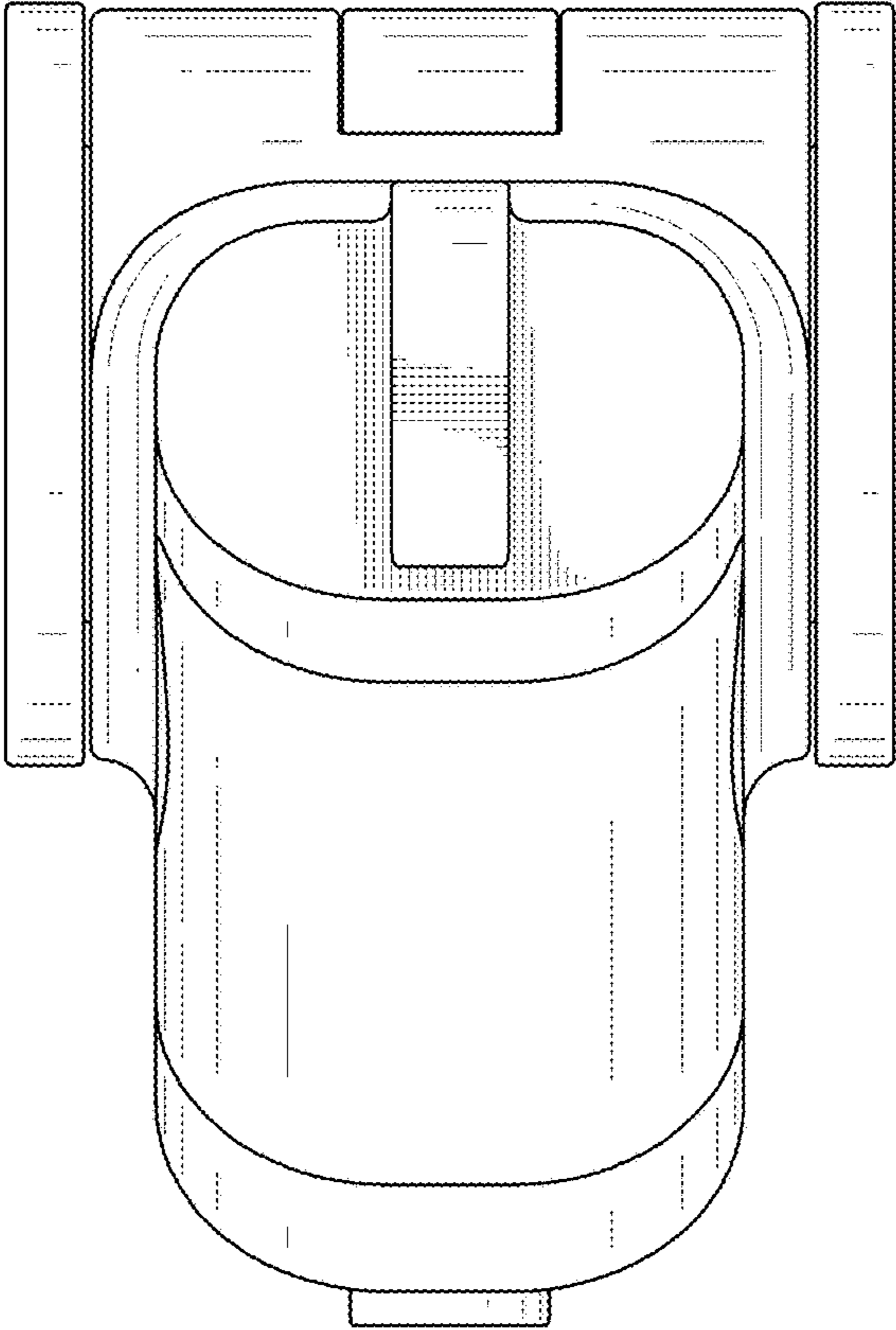


FIG.7

