



US00D790782S

(12) **United States Design Patent**
Bruneel

(10) **Patent No.:** **US D790,782 S**

(45) **Date of Patent:** **** Jun. 27, 2017**

- (54) **PORTABLE POOL CLEANER**
- (71) Applicant: **Kokido Development Limited,**
Kowloon (HK)
- (72) Inventor: **Jean Julien Bruneel,** Kowloon (HK)
- (**) Term: **15 Years**
- (21) Appl. No.: **29/541,008**
- (22) Filed: **Sep. 30, 2015**
- (51) **LOC (10) Cl.** **15-05**
- (52) **U.S. Cl.**
USPC **D32/18; D32/21**
- (58) **Field of Classification Search**
USPC D32/17-18, 21-22, 31-34
CPC A47L 9/02; A47L 9/2842; A47L 9/0461;
E04H 4/1654; E04H 4/169; E04H 4/1609;
E04H 4/1618; E04H 4/1636; E04H 4/16;
E01H 1/0836

See application file for complete search history.

D660,526	S *	5/2012	Erlich	D32/18
D668,822	S *	10/2012	Tinius	D32/15
8,281,441	B1 *	10/2012	Erlich	E04H 4/1618 15/1.7
D682,493	S *	5/2013	Erlich	D32/18
D685,542	S *	7/2013	Erlich	D32/18
D713,110	S *	9/2014	Erlich	D32/31
D720,101	S *	12/2014	Erlich	D32/18
D733,686	S *	7/2015	Harris	D32/15
D749,283	S *	2/2016	Kim	D32/18
D752,831	S *	3/2016	Kim	D32/18
D760,969	S *	7/2016	Kim	D32/18
2004/0079690	A1 *	4/2004	Erlich	E04H 4/1636 210/167.16
2005/0126969	A1 *	6/2005	Dolton, III	E04H 4/1609 210/167.17
2005/0210624	A1 *	9/2005	Lammers	A47L 5/14 15/344
2005/0279683	A1 *	12/2005	Erlich	E04H 4/1636 210/167.16

(Continued)

Primary Examiner — Ruth McInroy
(74) *Attorney, Agent, or Firm* — Bei & Ocean; George G. Wang

(56) **References Cited**

U.S. PATENT DOCUMENTS

4,935,980	A *	6/1990	Leginus	E04H 4/16 15/1.7
4,962,559	A *	10/1990	Schuman	E04H 4/1618 15/1.7
5,542,142	A *	8/1996	Young	E04H 4/1609 15/1.7
D420,774	S *	2/2000	Schupp	D32/22
D453,246	S *	1/2002	Nimmo	D32/32
D481,840	S *	11/2003	Lammers	D32/18
D485,652	S *	1/2004	Erlich	D32/1
D487,826	S *	3/2004	Supra	D32/25
D518,253	S *	3/2006	Erlich	D32/18
D522,191	S *	5/2006	Erlich	D32/18
D522,700	S *	6/2006	Rademeyer	D32/15
D556,396	S *	11/2007	Mah	D32/18
D637,779	S *	5/2011	Bruneel	D32/33

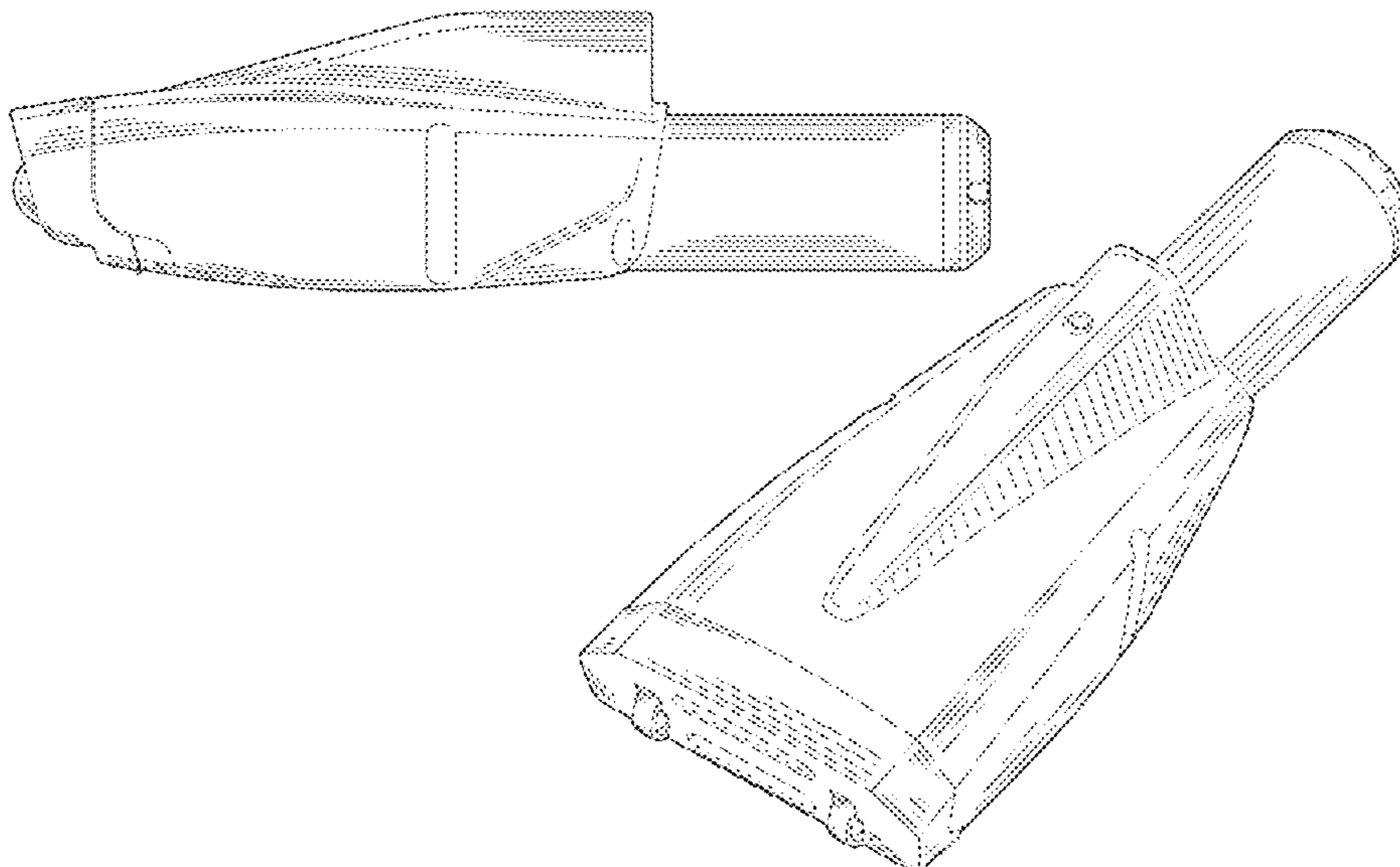
(57) **CLAIM**

The ornamental design for a portable pool cleaner, as shown and described.

DESCRIPTION

FIG. 1 is a front view of a portable pool cleaner showing my new design;
FIG. 2 is a rear view thereof;
FIG. 3 is a left side view thereof;
FIG. 4 is a right side view thereof;
FIG. 5 is a bottom view thereof;
FIG. 6 is a top view thereof; and,
FIG. 7 is a perspective view thereof.
The details shown in broken lines form no part of the claimed design.

1 Claim, 7 Drawing Sheets



(56)

References Cited

U.S. PATENT DOCUMENTS

2006/0265820 A1* 11/2006 Erlich E04H 4/1636
15/1.7
2008/0109972 A1* 5/2008 Mah E04H 4/1636
15/1.7
2008/0313827 A1* 12/2008 Paxton A01K 61/003
15/1.7
2011/0277270 A1* 11/2011 Knopow A47L 5/14
15/405
2016/0032604 A1* 2/2016 Chen E04H 4/1636
210/167.16

* cited by examiner

FIG. 1

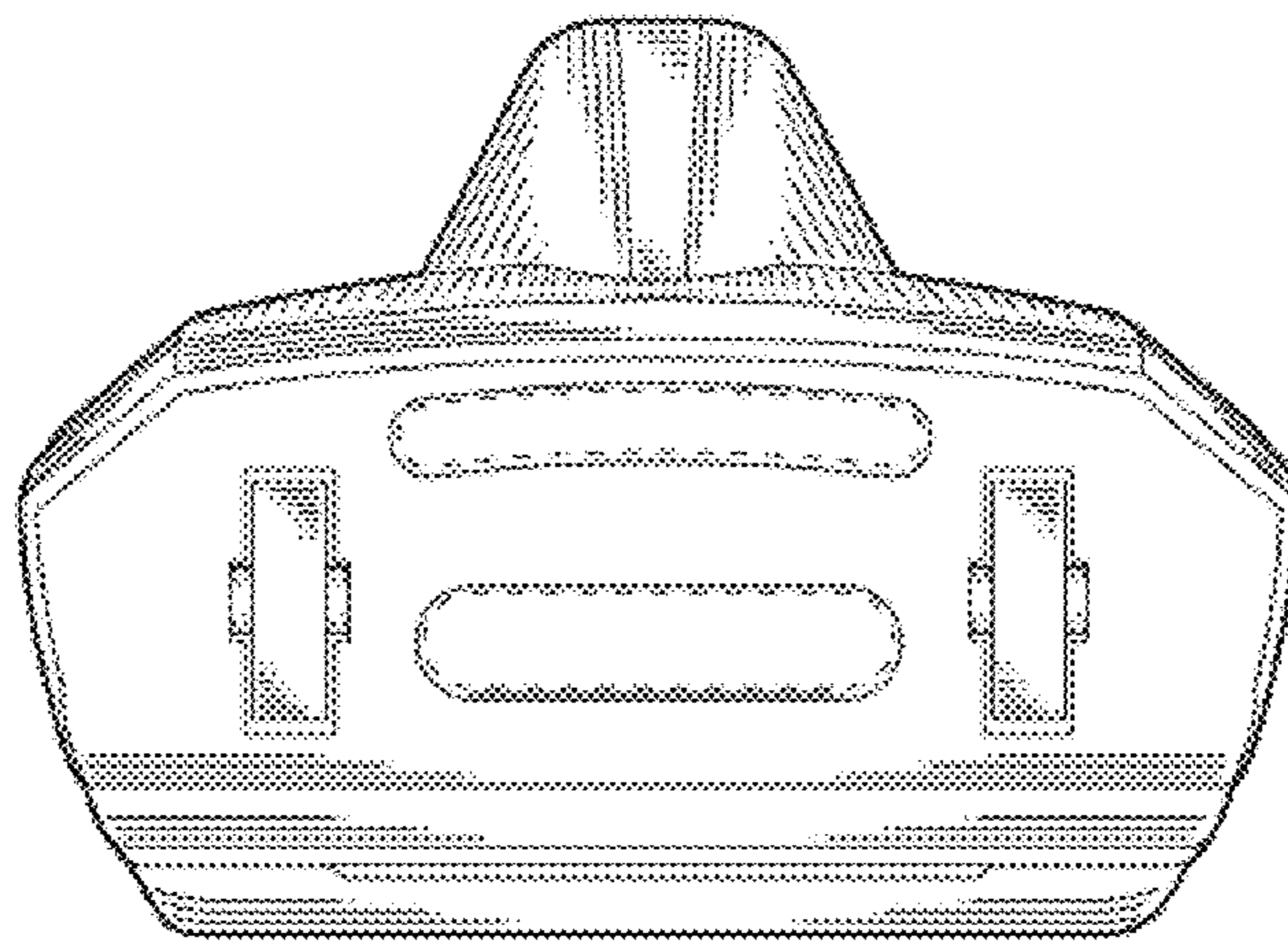


FIG. 2

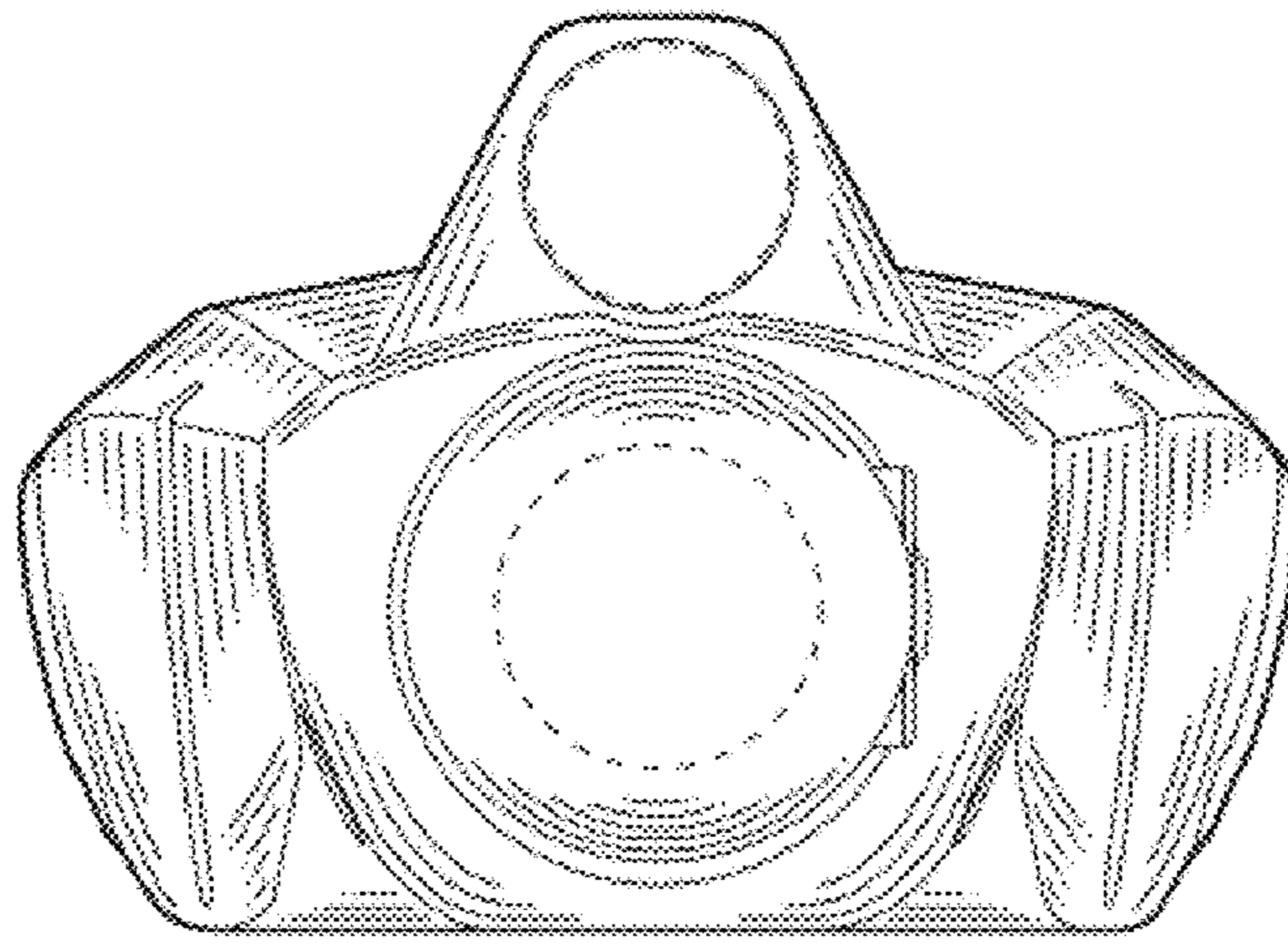


FIG. 3

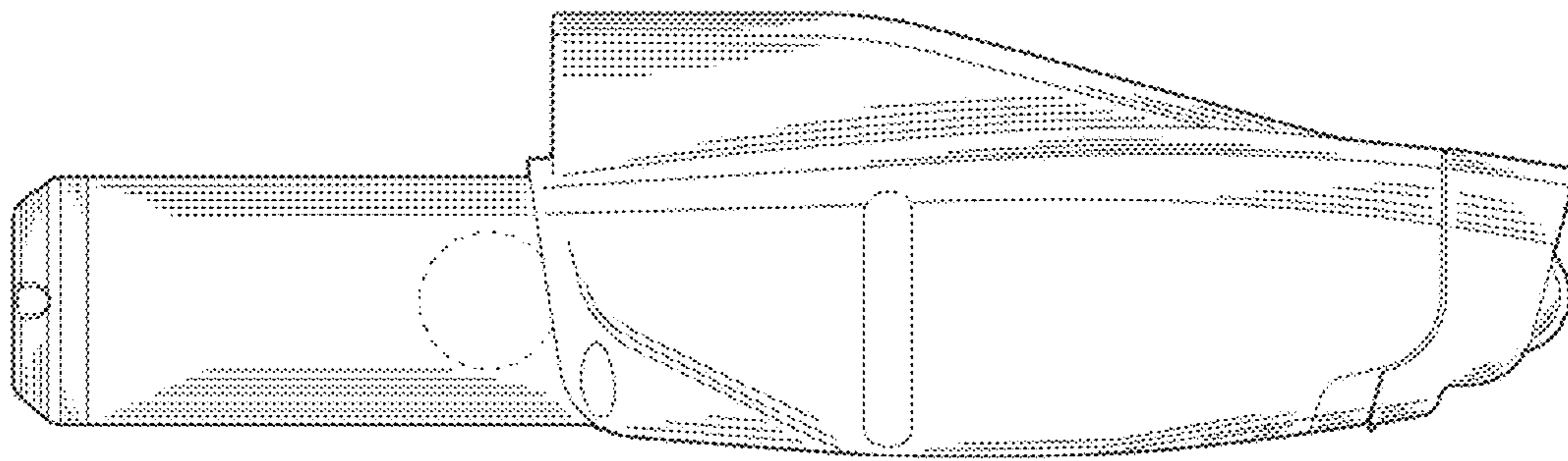


FIG. 4

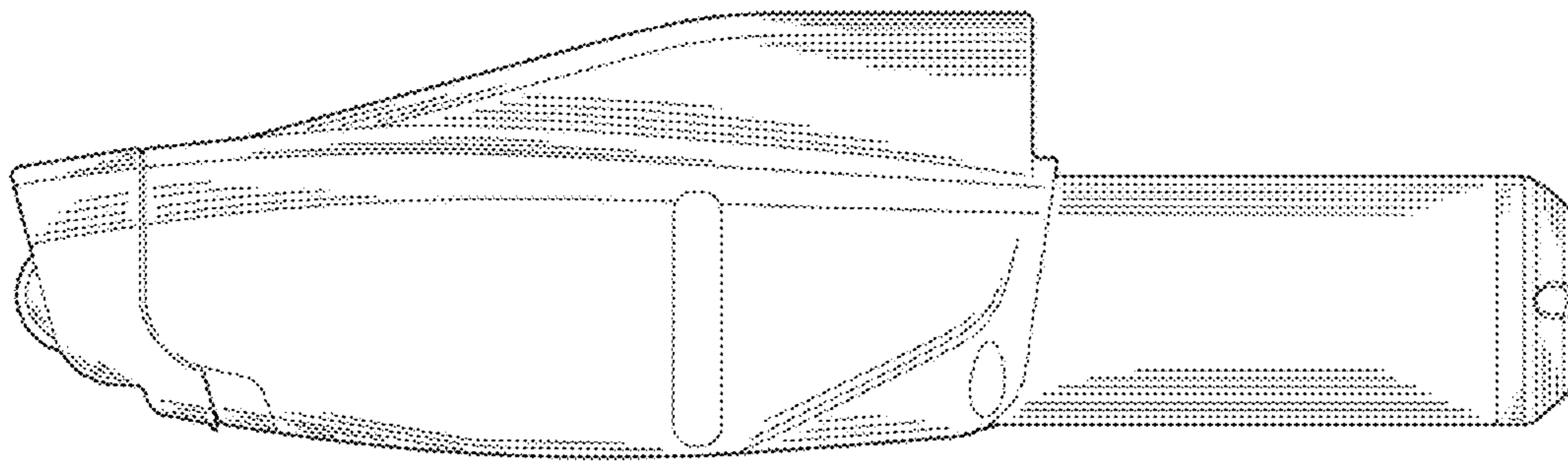


FIG. 5

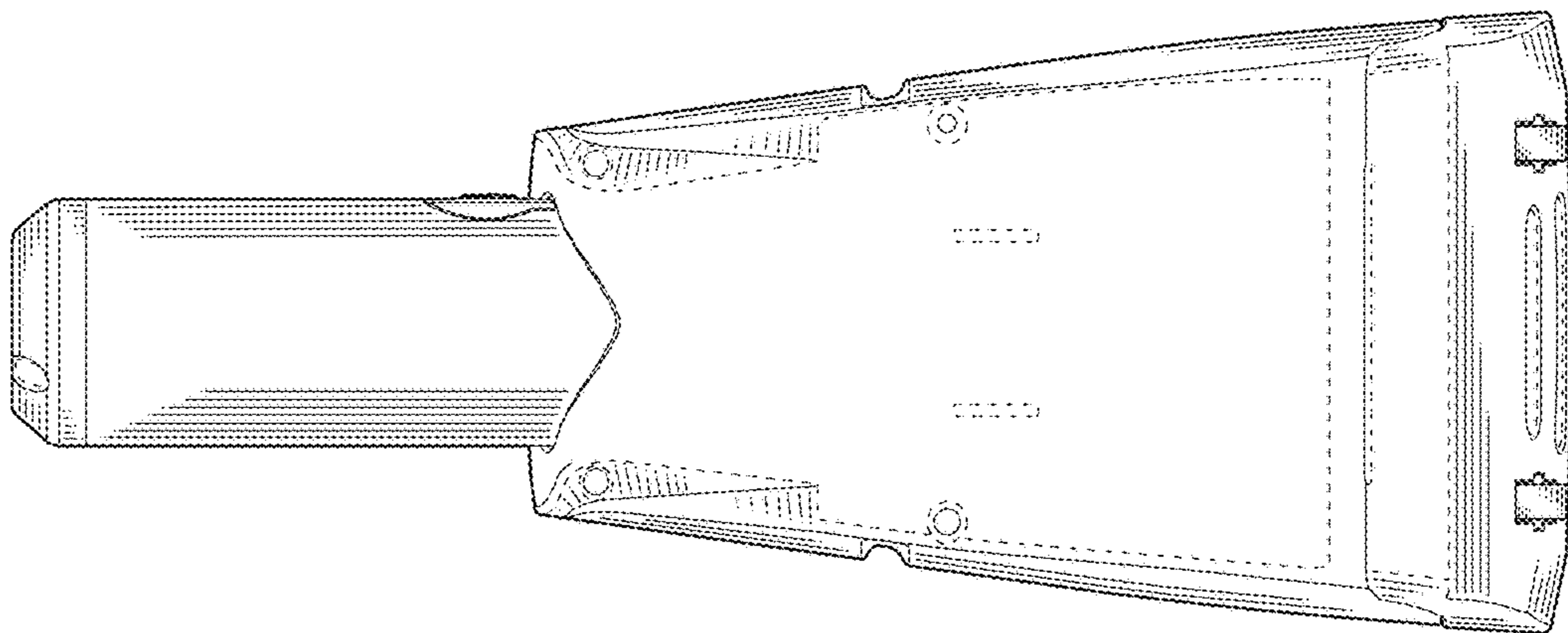


FIG. 6

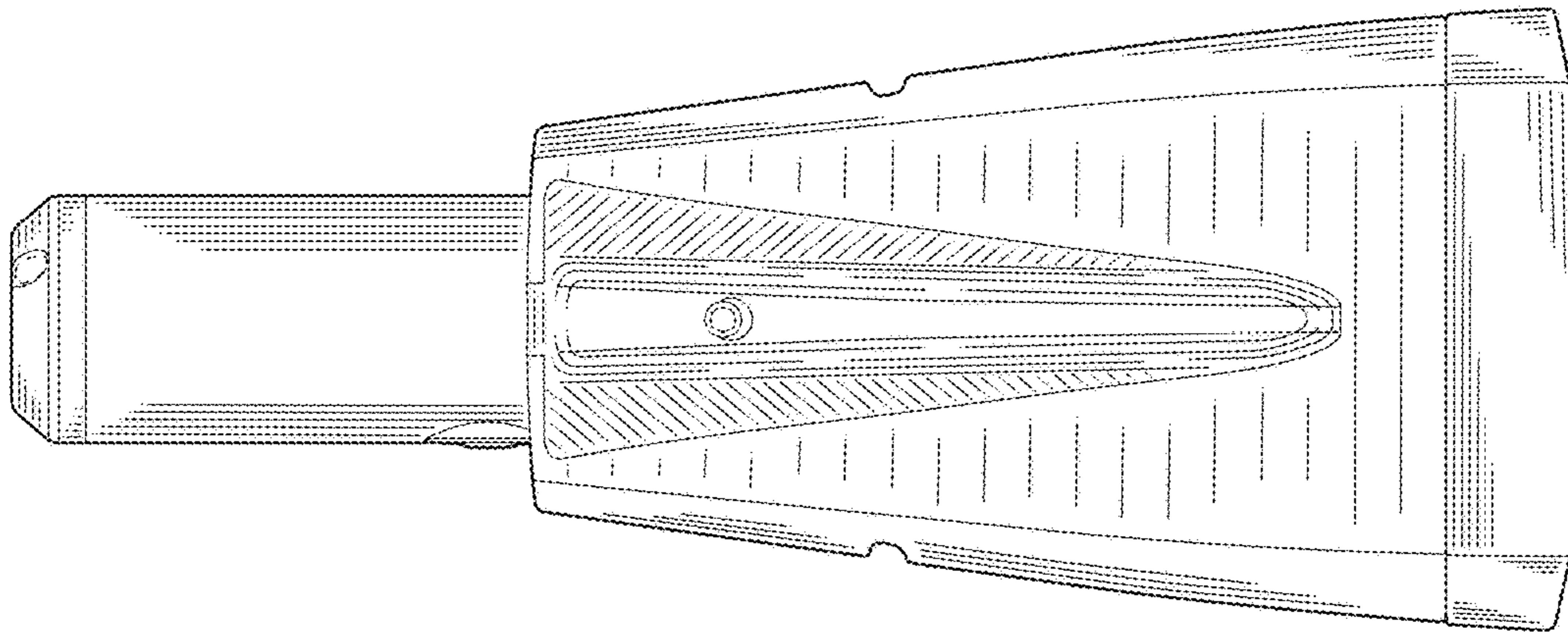


FIG. 7

