



US00D790781S

(12) **United States Design Patent**
Cafasso et al.

(10) **Patent No.:** **US D790,781 S**
(45) **Date of Patent:** **** Jun. 27, 2017**

(54) **GROOMING TOOL**

(71) Applicant: **United Pet Group, Inc.**, Cincinnati, OH (US)

(72) Inventors: **Daniel Cafasso**, Cincinnati, OH (US);
Adam Favia, Reedsburg, WI (US);
Kelly Damaschke, Loganville, WI (US);
Ron Wright, Baraboo, WI (US)

(73) Assignee: **Spectrum Brands, Inc.**, Middleton, WI (US)

(**) Term: **14 Years**

(21) Appl. No.: **29/502,405**

(22) Filed: **Sep. 16, 2014**

(51) **LOC (10) Cl.** **30-99**

(52) **U.S. Cl.**
USPC **D30/159**; D30/158

(58) **Field of Classification Search**
USPC D30/158, 159, 199, 162, 106; 119/625, 119/633, 600, 617, 628, 632, 631, 613, 119/618, 619, 620, 611; 132/126, 142; 30/114, 130, 301, 305, 315, 316, 299, 30/303, 306, 169, 322, 31, 30, 279.2, 30/280, 287, 294, 199, 329-344, 346.56, 30/346.61, 355, 357; D7/672-676, 687, D7/686, 634, 619, 688, 653; 425/298; 426/503; D4/136, 127, 124-126, D4/116-118, 199, 194; D32/42, 25; D23/261; 2/160; 172/379, 380; D6/415, D6/410, 411; 294/1.3, 1.5, 55, 99.1, 49, 294/7, 9, 99.2, 118, 119, 19.2, 52; 209/418; D24/211, 147; D21/532, 398; D19/36; 34/381, 103, 104, 107; D11/104, 86; 56/400.01, 400.1, 400.17, 56/400.21, 400.05, 400.04, 330; 403/329, 403/326, 361; 15/402, 142, 236.07, 15/236.08, 236.05; 601/137, 136, 80, 93, 601/95, 97, 101, 103, 138, 143-147; D28/91.2, 63, 52, 31; D8/13, 6, 10, 11, D8/12, 1; 126/173, 214 C, 25 R; 99/450

CPC A01K 13/00; A01K 13/002; B26B 19/24; B26B 19/063; B26B 19/00; B26B 19/02; B26B 19/04; B26B 19/06; B26B 19/10; B26B 19/20; B26B 19/22; B26B 19/28;
(Continued)

(56) **References Cited**

U.S. PATENT DOCUMENTS

487,580 A * 12/1892 Neuls A01K 13/002
119/631
3,010,131 A * 11/1961 Kisky A46B 9/04
15/143.1

(Continued)

Primary Examiner — Susan Moon Lee

(74) *Attorney, Agent, or Firm* — Merchant & Gould P.C.

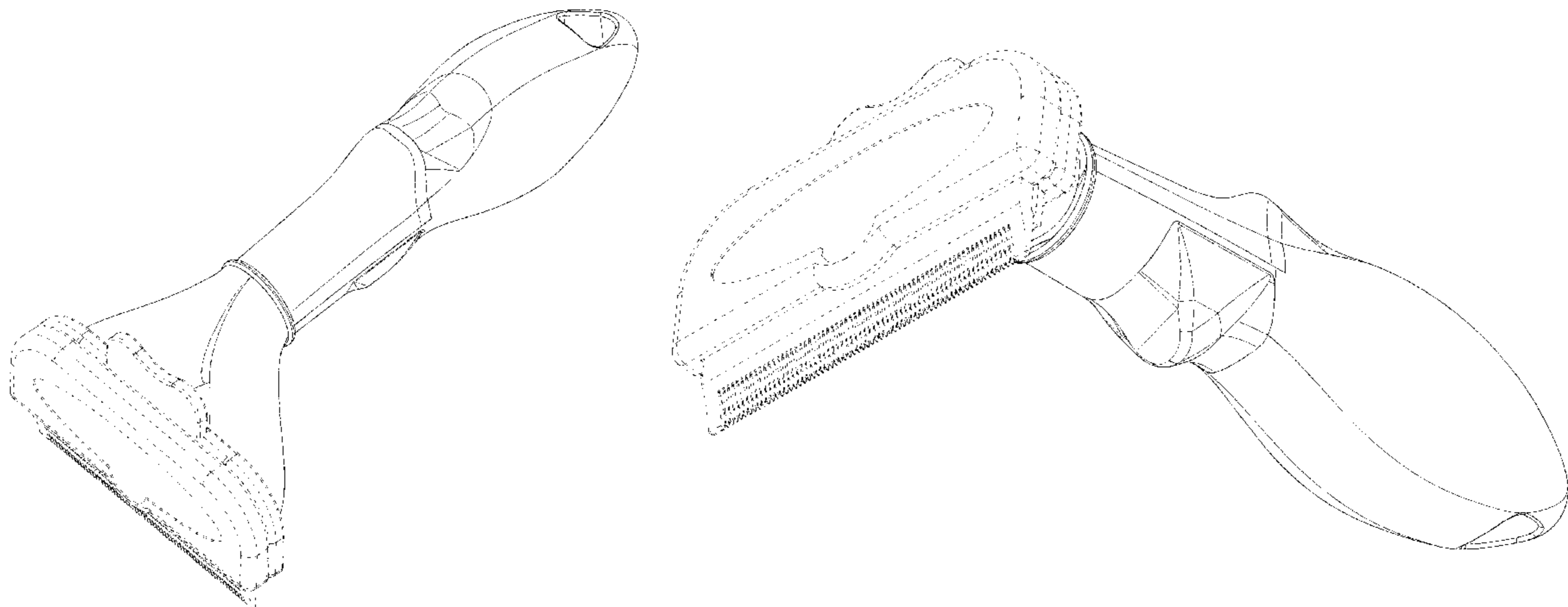
(57) **CLAIM**

The ornamental design for a grooming tool, as shown and described.

DESCRIPTION

FIG. 1 is a top, right, front perspective view of an embodiment of a grooming tool, according to the new design; FIG. 2 is a bottom, right, rear perspective view of the grooming tool of FIG. 1; FIG. 3 is a front view of the grooming tool of FIG. 1; FIG. 4 is a rear view of the grooming tool of FIG. 1; FIG. 5 is right side view of the grooming tool of FIG. 1; FIG. 6 is a left side view of the grooming tool of FIG. 1; FIG. 7 is a top view of the grooming tool of FIG. 1; and FIG. 8 is a bottom view of the grooming tool of FIG. 1. The entire exemplary broken line showing of a head component that is illustrated beyond the neck portion of the grooming tool handle, comprising a combing blade, head and retained tool, is depicted illustratively only, and forms no part of the claimed design.

1 Claim, 7 Drawing Sheets



(58) **Field of Classification Search**

CPC ... B26B 19/38; B26B 19/382; B26B 19/3813;
 B26B 19/3846; B26B 21/16; B26B 21/18;
 B26B 21/521; B26B 21/4075; B26B
 21/522; B26B 21/00; B26B 21/12; B26B
 21/125; B26B 21/4006; B26B 21/52;
 B26B 21/56; B26B 21/565; B26B 15/00;
 B26B 13/22; B26B 13/24; B26B 13/26;
 A45D 24/30; A45D 24/00; A45D 24/04;
 A45D 24/10; A45D 24/36; A45D 24/02;
 A45D 24/40; A45D 24/42; A45D 24/44;
 A45D 2024/345; A46B 5/02; A46B
 5/021; A46B 5/026; A46B 5/028; A46B
 2200/1093; A46B 2200/10

See application file for complete search history.

(56) **References Cited**

U.S. PATENT DOCUMENTS

3,491,777 A * 1/1970 Grosbard A46B 7/02
 132/120
 D229,619 S * 12/1973 Sleith D30/158
 D309,984 S * 8/1990 Gingras D4/138
 D368,999 S * 4/1996 Chen D32/48
 6,279,582 B1 * 8/2001 Wang A46B 7/06
 119/632
 6,427,633 B1 * 8/2002 Ogden A01K 13/002
 119/600
 6,681,775 B2 * 1/2004 Wang A46B 17/06
 132/119
 6,782,846 B1 8/2004 Porter et al.
 7,077,076 B2 7/2006 Porter et al.
 7,222,588 B2 5/2007 Porter et al.
 7,334,540 B2 2/2008 Porter et al.

D565,258 S 3/2008 Porter et al.
 D584,060 S * 1/2009 Hay D4/134
 7,509,926 B2 3/2009 Porter et al.
 7,650,857 B2 1/2010 Porter et al.
 7,650,858 B2 1/2010 Porter et al.
 D610,755 S * 2/2010 Lin D30/159
 7,717,067 B2 5/2010 Porter et al.
 D616,651 S * 6/2010 Lin D30/158
 D626,295 S 10/2010 Porter
 D626,296 S 10/2010 Porter
 D626,297 S 10/2010 Porter
 7,814,917 B2 * 10/2010 Hurwitz A01K 13/002
 132/112
 8,011,059 B2 9/2011 Porter et al.
 D672,923 S 12/2012 Loudenback et al.
 D672,924 S 12/2012 Amice et al.
 8,359,755 B1 * 1/2013 Laube A01K 13/002
 119/611
 8,555,463 B1 * 10/2013 Laube A01K 13/001
 119/606
 D715,061 S * 10/2014 Schouten D4/133
 2007/0084416 A1 * 4/2007 Liao A01K 13/002
 119/625
 2008/0017130 A1 * 1/2008 Porter A01K 13/002
 119/625
 2008/0029044 A1 * 2/2008 Porter A01K 13/001
 119/631
 2008/0078333 A1 * 4/2008 Wang A01K 13/002
 119/611
 2009/0126648 A1 * 5/2009 Porter A01K 13/00
 119/601
 2009/0320767 A1 * 12/2009 Werner A01K 13/002
 119/609
 2014/0026822 A1 * 1/2014 Harris, II A01K 13/002
 119/628

* cited by examiner

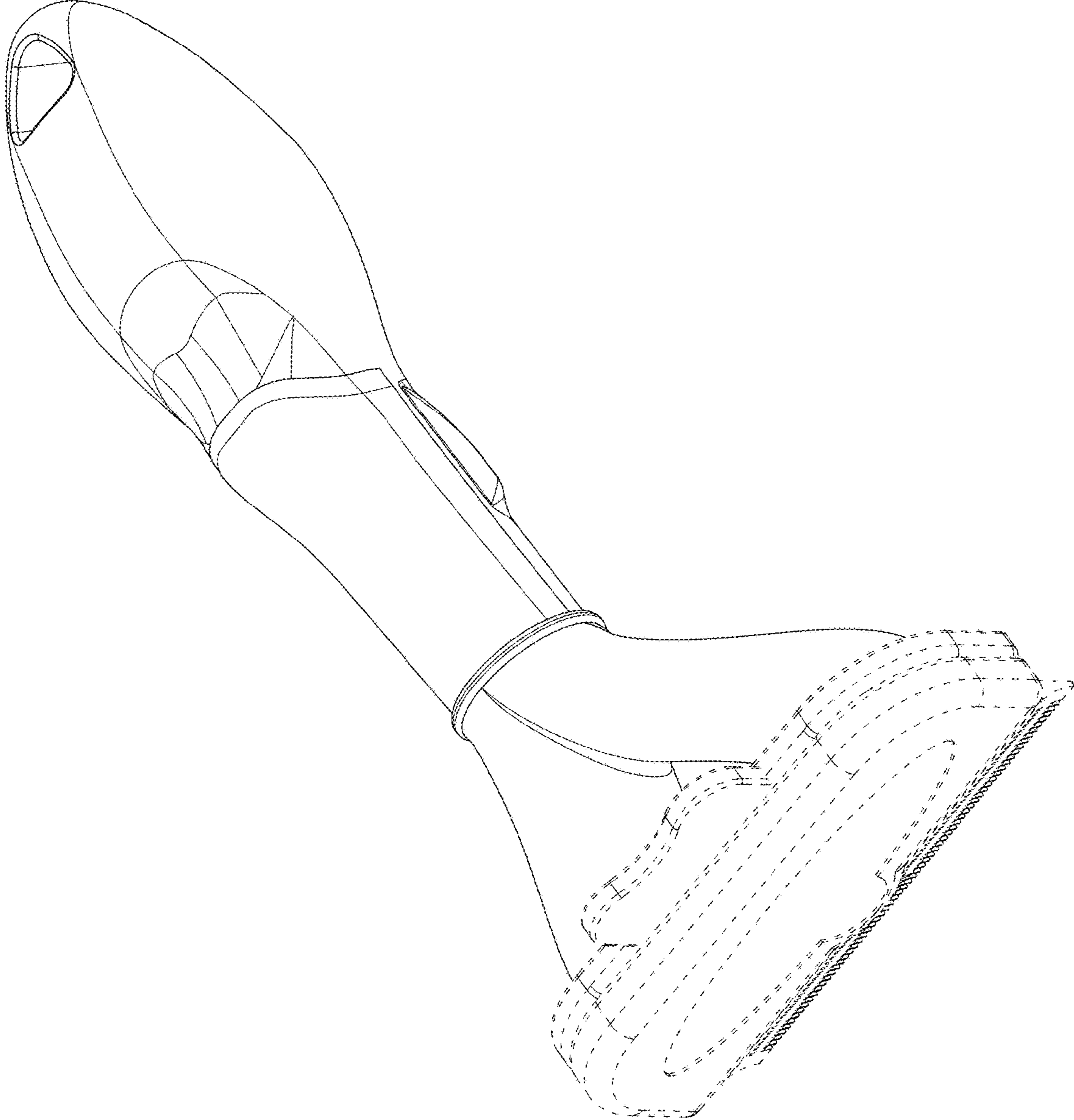


FIG. 1

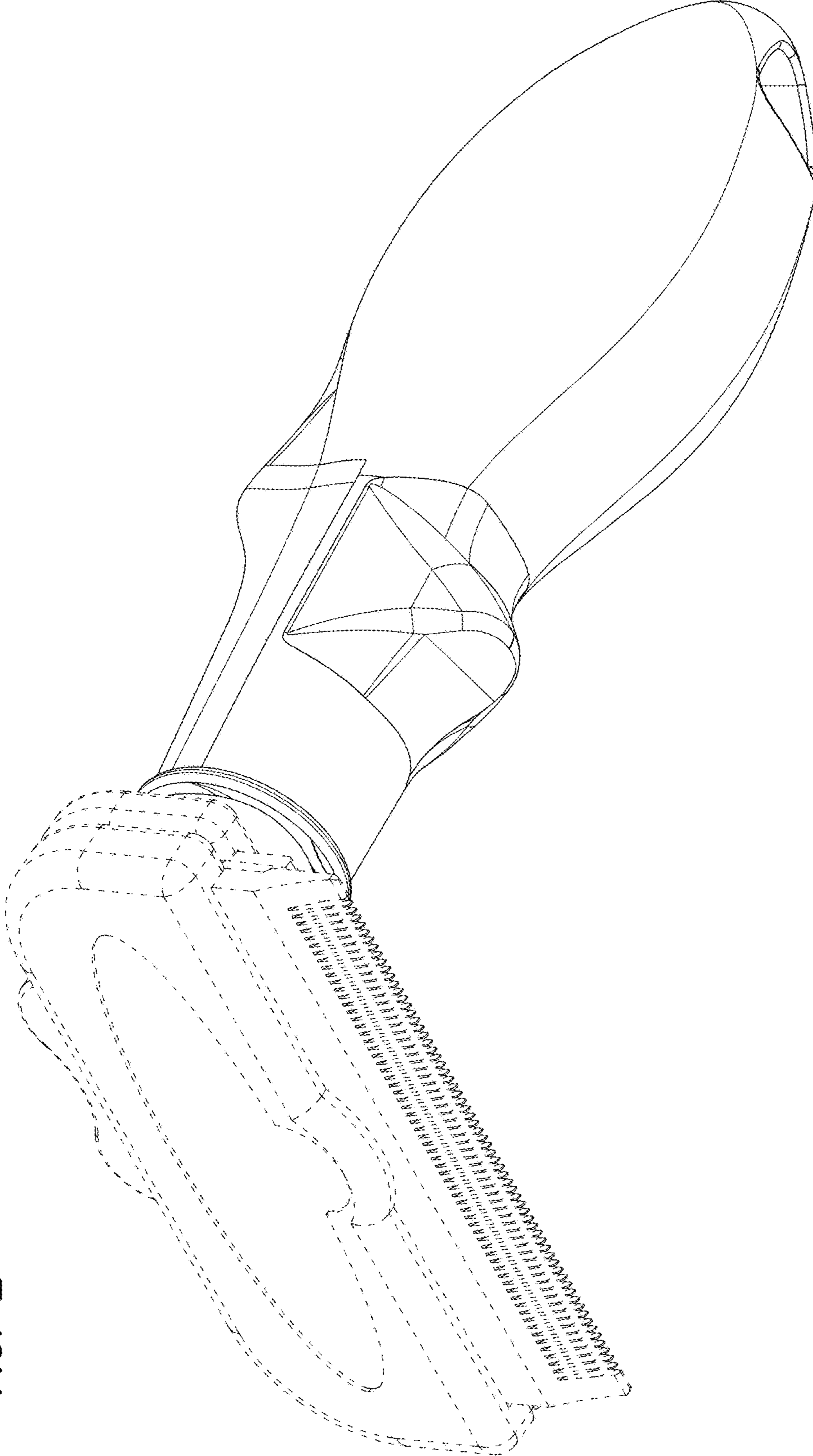


FIG. 2

FIG. 3

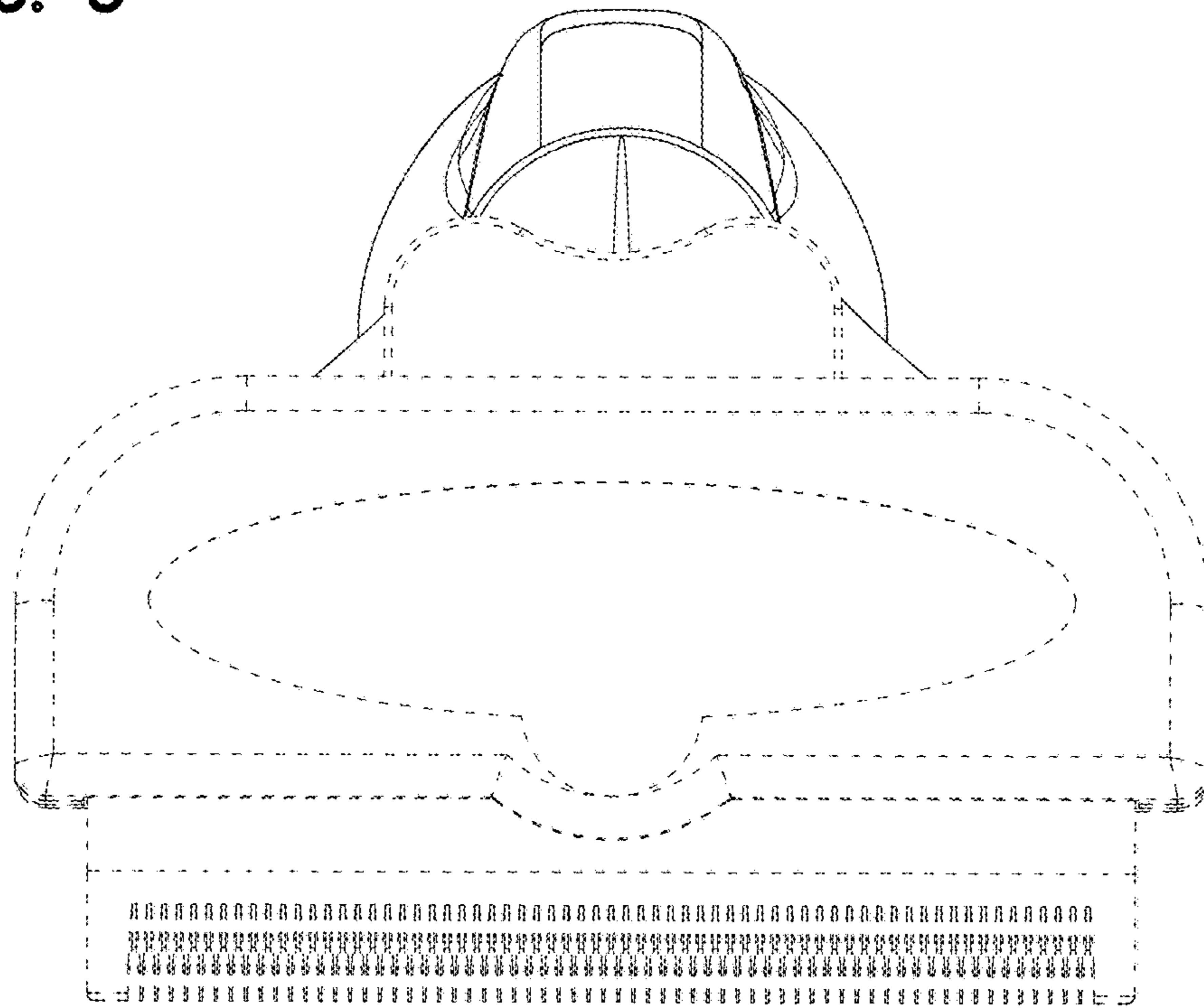
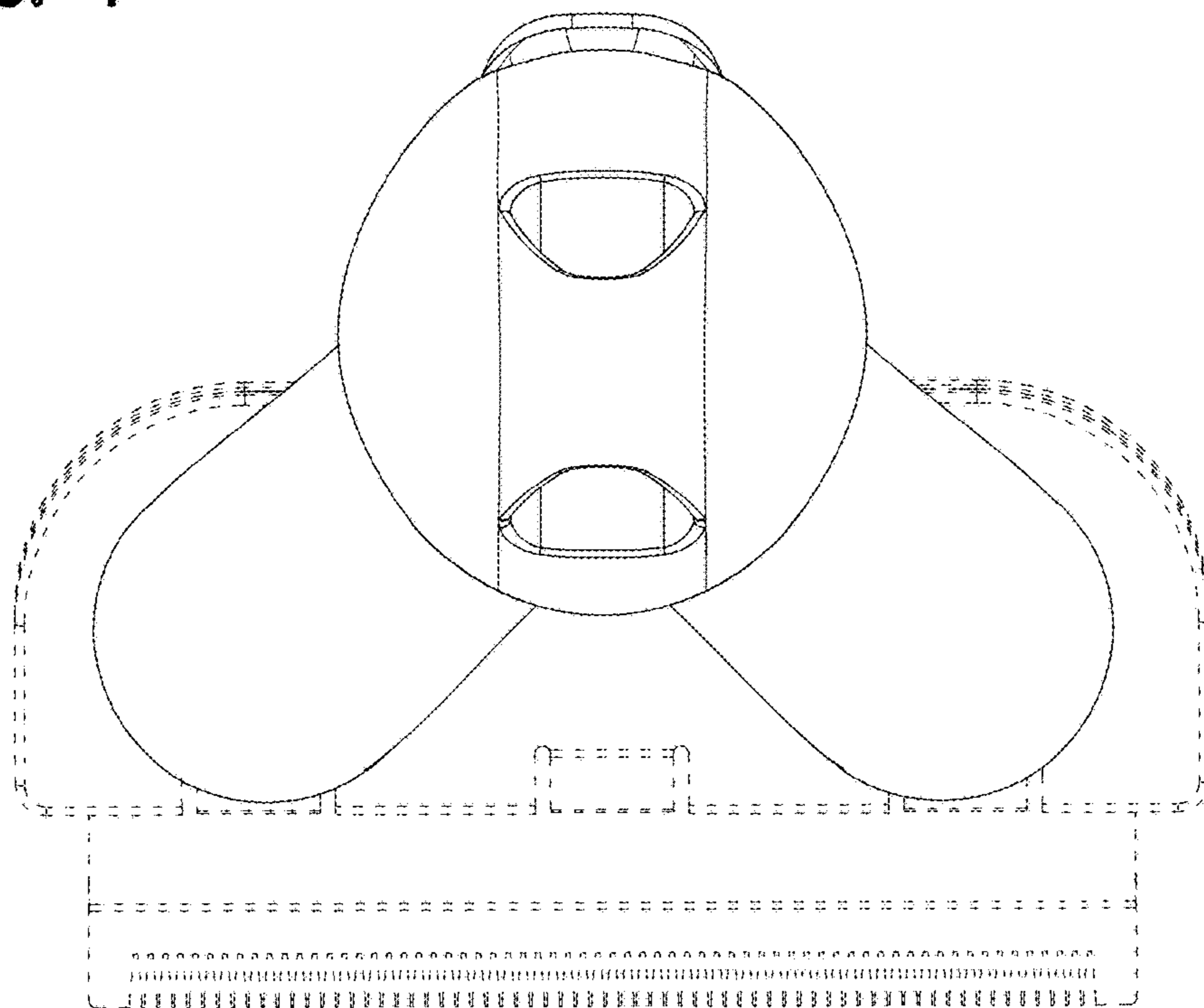


FIG. 4



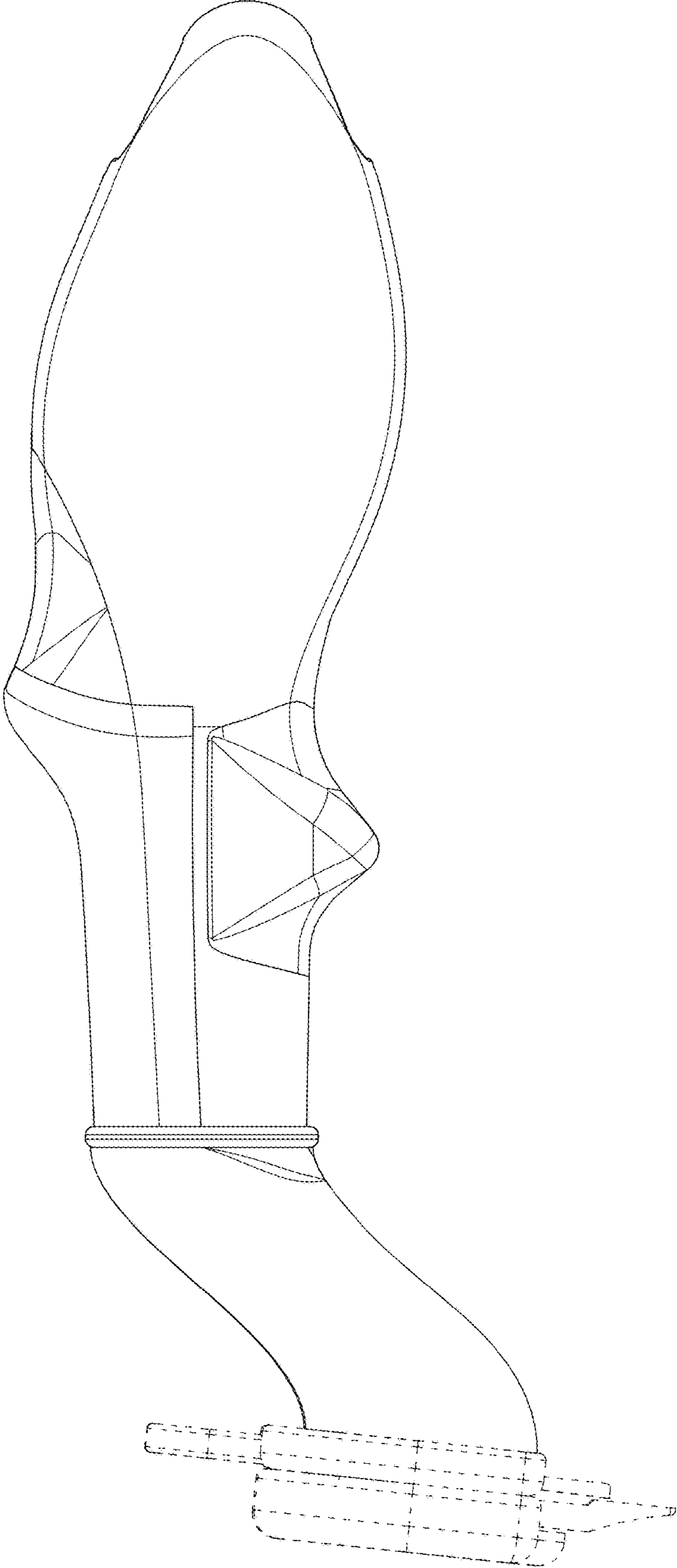


FIG. 5

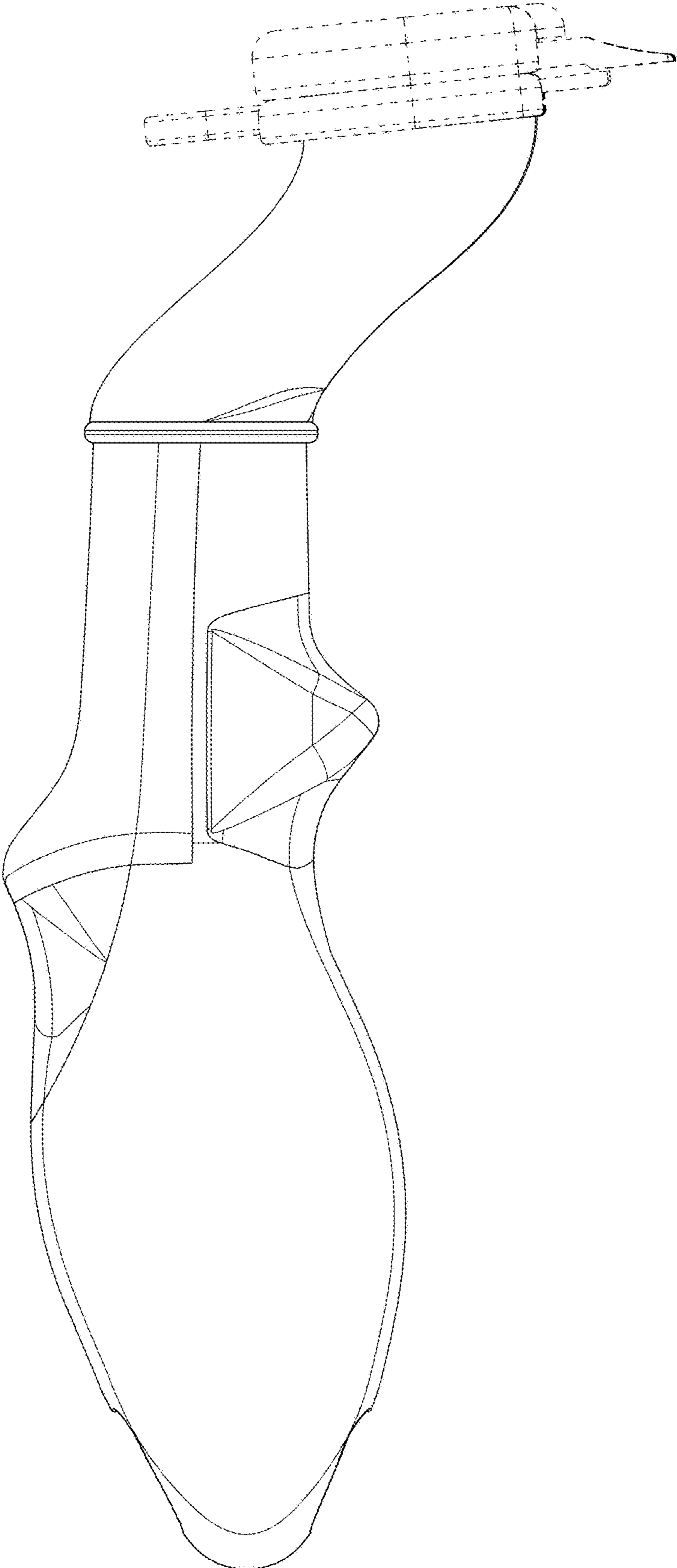


FIG. 6

FIG. 7

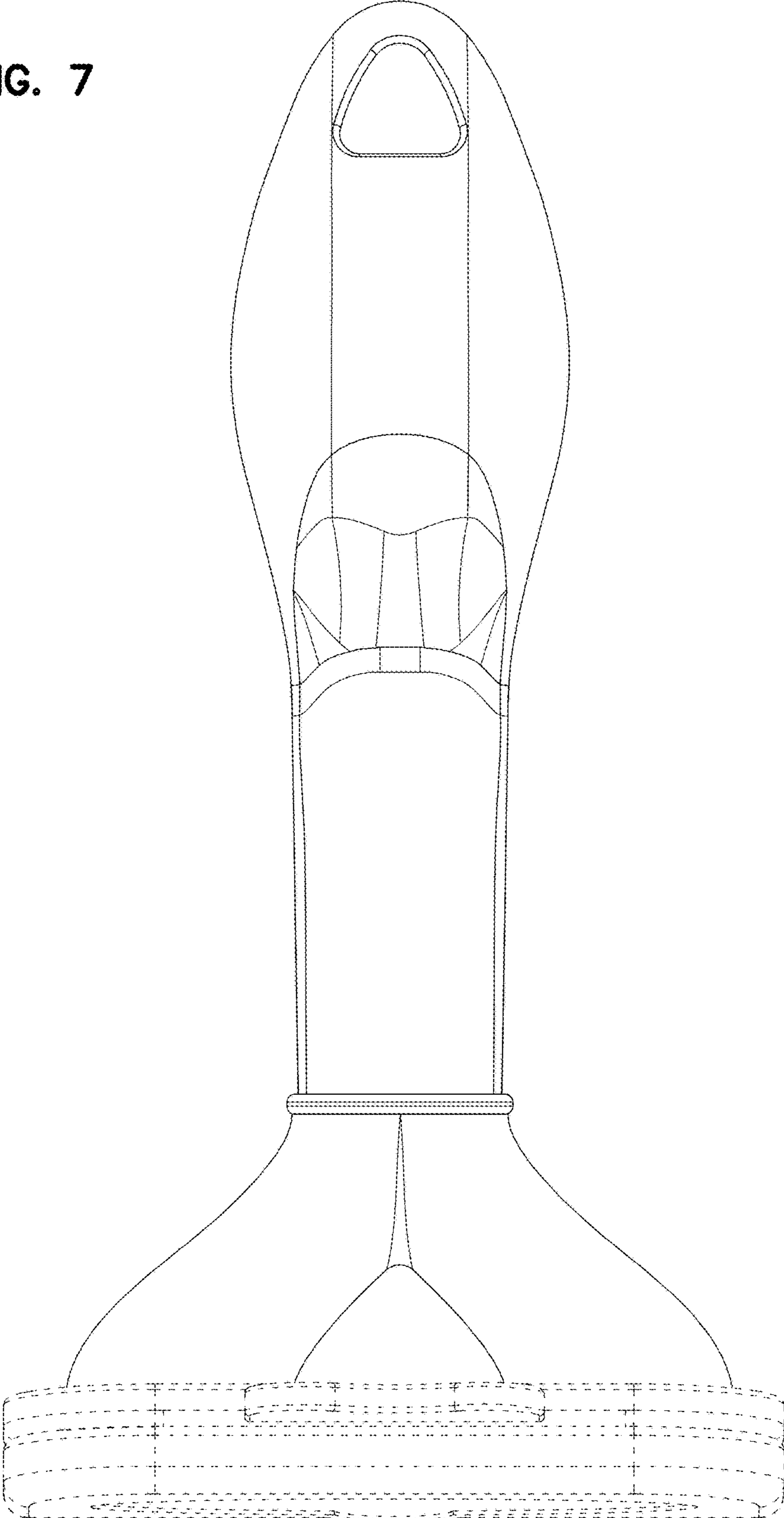


FIG. 8

