



US00D790780S

(12) **United States Design Patent**  
**Strengell**

(10) **Patent No.:** **US D790,780 S**  
(45) **Date of Patent:** **\*\* Jun. 27, 2017**

(54) **COMBINATION COLLAR AND LEASH FOR ANIMALS**

(71) Applicant: **Sympis International Oy**, Espoo (FI)

(72) Inventor: **Juha Strengell**, Espoo (FI)

(73) Assignee: **Sympis International Oy**, Espoo (FI)

(\*\*) Term: **14 Years**

(21) Appl. No.: **29/508,856**

(22) Filed: **Nov. 12, 2014**

(30) **Foreign Application Priority Data**

May 22, 2014 (EM) ..... 002468751-0001

(51) **LOC (10) Cl.** ..... **30-04**

(52) **U.S. Cl.**  
USPC ..... **D30/153; D30/152**

(58) **Field of Classification Search**  
USPC ..... D30/144, 145, 151, 152, 161, 169, 199;  
D11/3; D2/894; D8/300; D29/100,  
D29/101.1, 101.2, 101.3, 101.5;  
D24/190; 119/174, 702, 712, 725, 758,  
119/769, 792, 802, 850, 856, 858, 863,  
119/865, 907; 54/19.1, 38.1; D3/217,  
D3/231  
CPC ..... A01K 27/001  
See application file for complete search history.

(56) **References Cited**

**U.S. PATENT DOCUMENTS**

- 5,088,272 A \* 2/1992 Anderson ..... A01K 25/00  
54/24
- 5,456,213 A \* 10/1995 Beauchamp ..... A01K 27/001  
119/793
- 5,806,467 A \* 9/1998 Arakawa ..... A01K 27/003  
119/771
- 6,129,055 A \* 10/2000 Hanada ..... A01K 27/001  
119/863

- D456,957 S \* 5/2002 Koch ..... D30/152
- 7,096,827 B2 \* 8/2006 Sporn ..... A01K 27/005  
119/792
- 7,103,943 B2 \* 9/2006 Lambert ..... A01K 27/00  
119/792
- 7,223,212 B2 \* 5/2007 DiOrio ..... A63B 21/0023  
482/83
- D552,805 S \* 10/2007 Holt, Jr. .... A01K 27/002  
D30/152

(Continued)

**OTHER PUBLICATIONS**

"2" Sliding D-Ring Stainless Steel". Found online Jun. 3, 2016 at caveadventurers.com. Page dated Feb. 26, 2015. Retrieved from <https://web.archive.org/web/20150226165002/http://www.caveadventurers.com/2-sliding-d-ring-stainless-steel.html>.\*

(Continued)

*Primary Examiner* — Robert M Spear  
*Assistant Examiner* — Kendra L Hamilton  
(74) *Attorney, Agent, or Firm* — Seppo Laine Oy

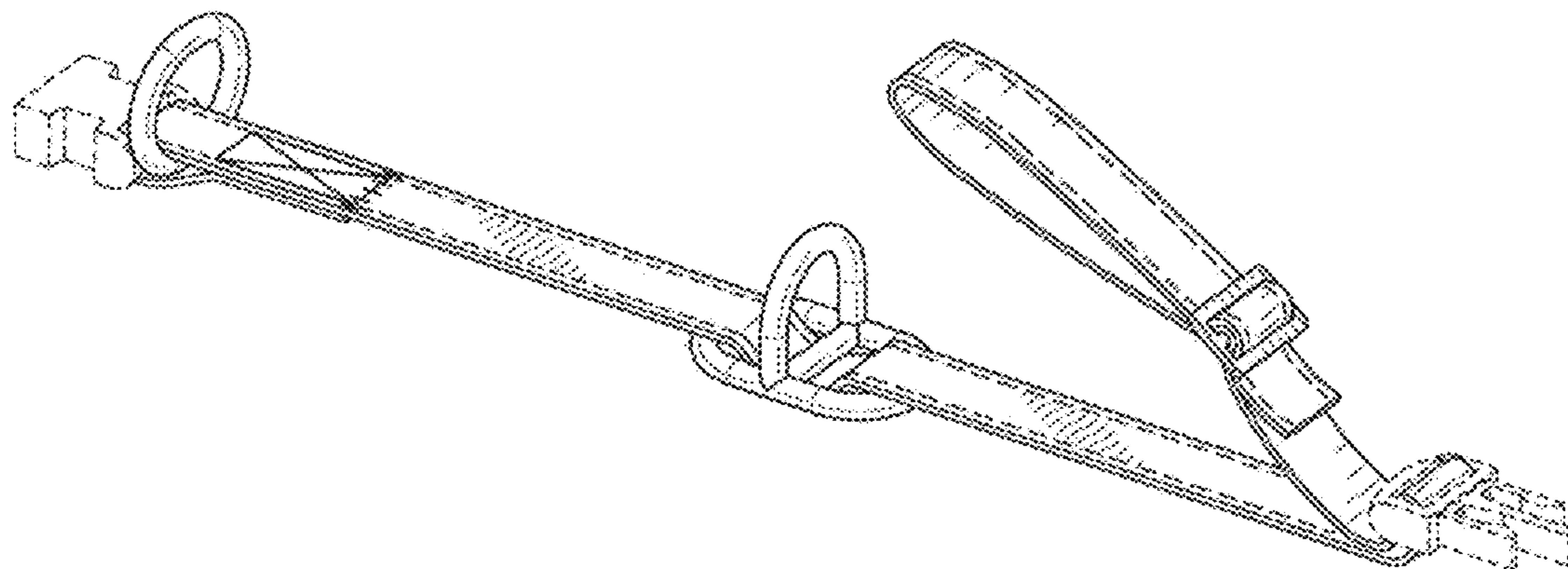
(57) **CLAIM**

The ornamental design for a combination collar and leash for animals, as shown and described.

**DESCRIPTION**

FIG. 1 is a top perspective view of a combination collar and leash for animals, showing my new design; FIG. 2 is a side elevational view of the combination collar and leash for animals according to the present invention as shown in FIG. 1, the opposite side elevational view being a mirror image; FIG. 3 is a top plan view thereof; and, FIG. 4 is a bottom view thereof. The broken line showing a side release buckle depicts environmental matter and forms no part of the claimed design. The remaining broken lines in the drawings depict stitching that forms no part of the claimed design.

**1 Claim, 1 Drawing Sheet**



(56)

**References Cited**

U.S. PATENT DOCUMENTS

7,637,231 B2 \* 12/2009 Grayson ..... B68B 1/02  
119/831  
D609,410 S \* 2/2010 Labelson ..... D30/153  
D640,840 S \* 6/2011 Reed ..... D30/152  
D683,085 S \* 5/2013 Parker ..... D30/152  
D699,405 S \* 2/2014 McKinnell ..... D30/152  
D750,850 S \* 3/2016 Javornick ..... D30/152  
2003/0097736 A1 \* 5/2003 Blankenship ..... A63B 57/00  
24/302  
2004/0000273 A1 \* 1/2004 Lady ..... A01K 27/002  
119/792  
2006/0042562 A1 \* 3/2006 Wagner ..... A01K 27/001  
119/792  
2006/0137625 A1 \* 6/2006 Conte ..... A01K 27/004  
119/858  
2008/0115739 A1 \* 5/2008 Clenney ..... A01K 27/006  
119/863  
2010/0294213 A1 \* 11/2010 Vaccari ..... A01K 27/001  
119/863

OTHER PUBLICATIONS

“PetSafe Sadjustable Martingale Collars”. Found online Jun. 8, 2016 at drsfostersmith.com. Page dated Aug. 13, 2013. Retrieved from

[http://www.drsfostersmith.com/product/prod\\_display.cfm?pcatid=26509](http://www.drsfostersmith.com/product/prod_display.cfm?pcatid=26509).\*

“Stunt Runner Leash”. Found online Jun. 8, 2016 at domesticbeast.com. Page dated Sep. 30, 2014. Retrieved from <http://web.archive.org/web/20140930002314/http://www.domesticbeast.com/featured/leashes/stunt-runner-leash.html>.\*

“Adjustable D-Ring for Sidemount Diving”. Found online Jun. 8, 2016 at youtube.com. Page dated Apr. 29, 2013. Retrieved from <https://www.youtube.com/watch?v=kKZgbWycGDw>.\*

“Technical Diver Training: The Kit I Use”. Found online Jun. 8, 2016 at spyroskollas.blogspot.com. Page dated Aug. 17, 2015. Retrieved from <http://web.archive.org/web/20150817165135/http://spyroskollas.blogspot.com/2011/12/kit-i-use.html>.\*

“Loops 2 Double Handle Nylon Leash”. Found online Jun. 8, 2016 at amazon.com. Page dated Sep. 9, 2011. Retrieved from [https://www.amazon.com/Loops-Double-Handle-Nylon-Leash/dp/B0002DI5MU/ref=cm\\_cr\\_arp\\_d\\_product\\_top?ie=UTF8](https://www.amazon.com/Loops-Double-Handle-Nylon-Leash/dp/B0002DI5MU/ref=cm_cr_arp_d_product_top?ie=UTF8).\*

“Coastal Pet Products Double Traffic Collar Lead”. Found online Jun. 8, 2016 at amazon.com. Page dated Nov. 24, 2009. Retrieved from [https://www.amazon.com/Coastal-Pet-Products-DCP2912Black-Traffic/dp/B0002DI0GG/ref=cm\\_cr\\_arp\\_d\\_product\\_top?ie=UTF8](https://www.amazon.com/Coastal-Pet-Products-DCP2912Black-Traffic/dp/B0002DI0GG/ref=cm_cr_arp_d_product_top?ie=UTF8).\*

\* cited by examiner

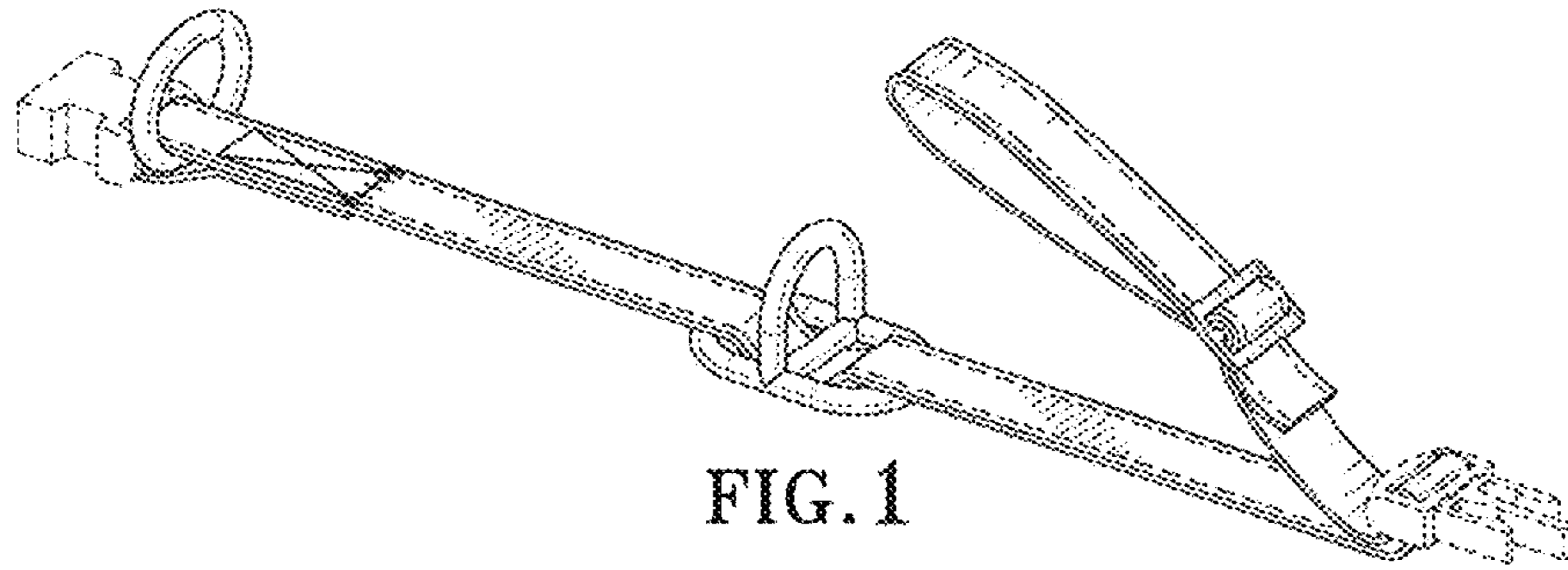


FIG. 1

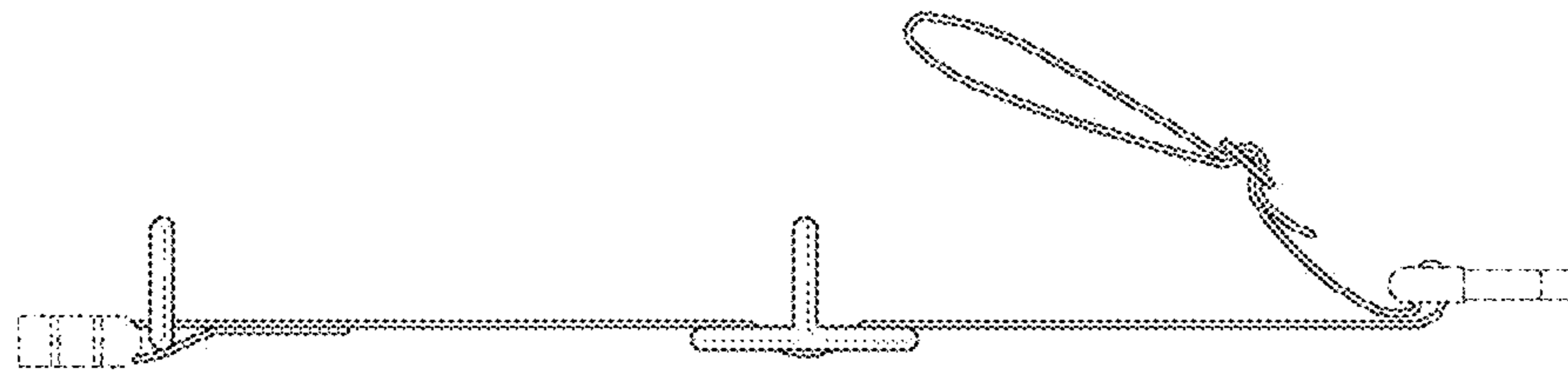


FIG. 2

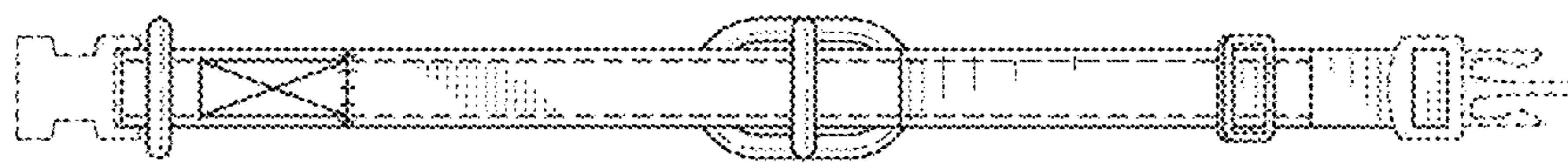


FIG. 3

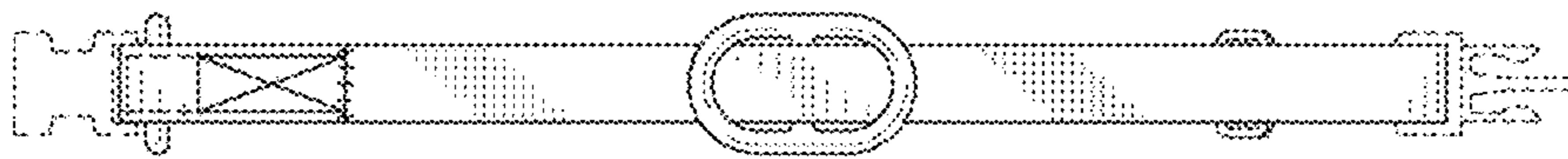


FIG. 4