



US00D790779S

(12) **United States Design Patent** (10) **Patent No.:** **US D790,779 S**
Javornick et al. (45) **Date of Patent:** **** Jun. 27, 2017**

(54) **BUCKLE FOR PET COLLAR**
(71) Applicant: **Dig It, Inc.**, Carnegie, PA (US)
(72) Inventors: **Georgine Javornick**, Carnegie, PA (US); **David Aliberti**, Pittsburgh, PA (US)
(73) Assignee: **Dig It, Inc.**, Pittsburgh, PA (US)
(**) Term: **14 Years**

D711,777 S * 8/2014 Monachon D11/234
D714,683 S 10/2014 McEntyre et al.
D719,485 S 12/2014 Kung
D761,495 S * 7/2016 Rose-Grant D30/152
2003/0094145 A1* 5/2003 Cheng A01K 27/006
119/859
2005/0011474 A1* 1/2005 Hanna A01K 27/001
119/863
2008/0000434 A1* 1/2008 Hulbert A01K 27/009
119/859
2008/0229551 A1* 9/2008 Bell A01K 27/00
24/188

(Continued)

(21) Appl. No.: **29/523,764**
(22) Filed: **Apr. 14, 2015**
(51) **LOC (10) Cl.** **30-04**
(52) **U.S. Cl.**
USPC **D30/152; D11/231**
(58) **Field of Classification Search**
USPC D30/139, 144, 145, 151, 152, 155, 199;
D2/627, 635, 638, 894; D29/100, 101.1,
D29/101.2, 101.5; D11/3, 231; D24/190
CPC A01K 27/001
See application file for complete search history.

OTHER PUBLICATIONS

“Dig It: Sport Design and Reflective Collar”. Found online Feb. 8, 2017 at dig-it-store.com. Page dated Mar. 31, 2016. Retrieved from http://web.archive.org/web/20160331210729/http://www.dig-it-store.com/new-page-1.*

(Continued)

Primary Examiner — Robert M Spear
Assistant Examiner — Kendra L Hamilton
(74) *Attorney, Agent, or Firm* — McKay & Associates, PC

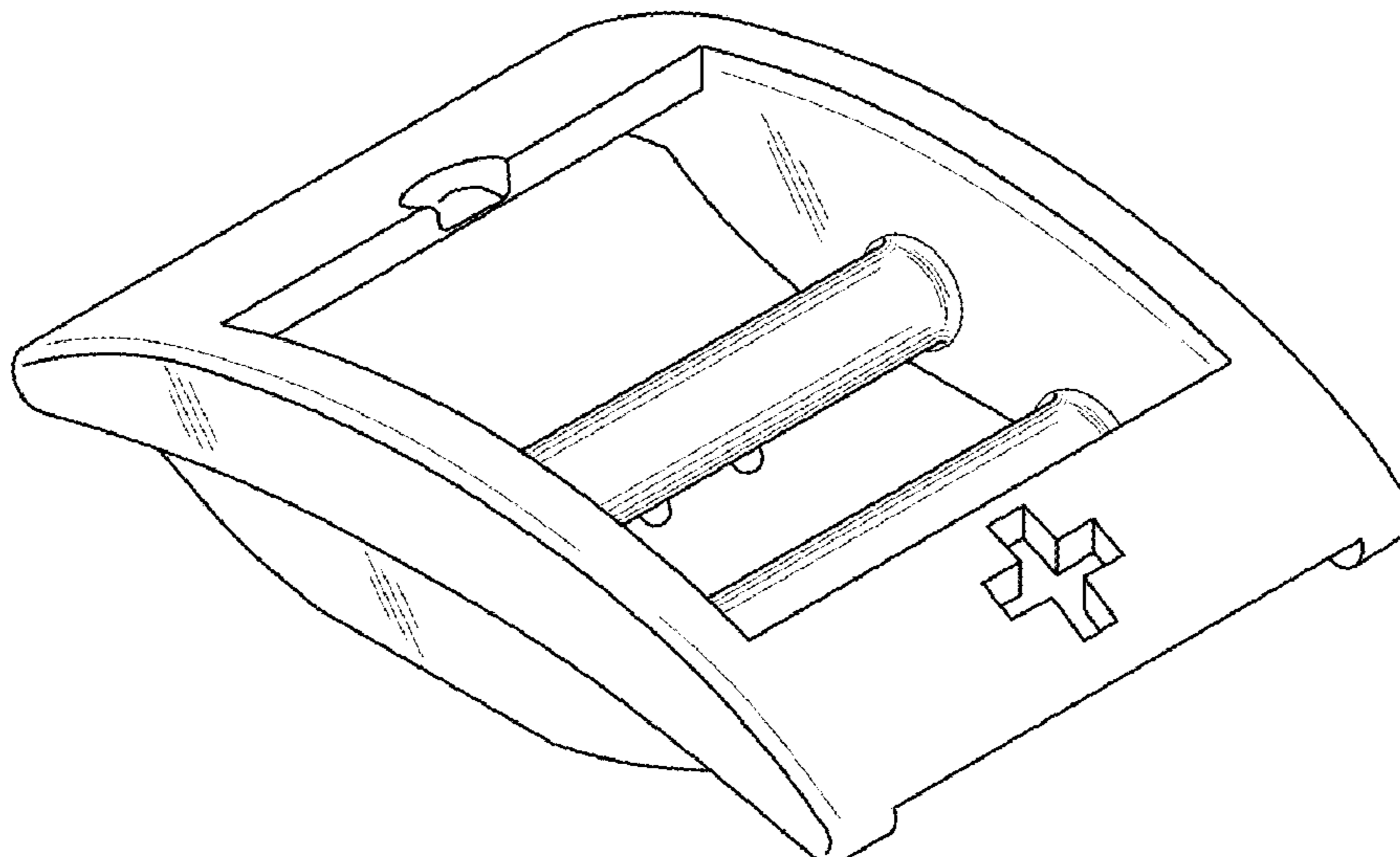
(56) **References Cited**
U.S. PATENT DOCUMENTS
D45,818 S * 5/1914 Reynolds D11/231
D71,469 S * 11/1926 Losey D11/231
1,764,547 A * 6/1930 Carfagno A44B 11/00
24/308
D156,129 S * 11/1949 Krabnow D2/638
D264,260 S * 5/1982 Terino, Jr. D30/152
D347,197 S 5/1994 Greene
D556,634 S 12/2007 Koroluk
D579,819 S 11/2008 Brown
D579,820 S 11/2008 Brown
D619,928 S 7/2010 Bodino et al.
D628,515 S 12/2010 Schiebl
D643,159 S * 8/2011 Howitz D30/152
D683,263 S 5/2013 Paik et al.
D703,097 S 4/2014 Nanbu et al.

(57) **CLAIM**
The ornamental design for a buckle for pet collar, as shown and described.

DESCRIPTION

FIG. 1 is a perspective view of a buckle for pet collar, showing our new design;
FIG. 2 is a top plan view thereof;
FIG. 3 is a bottom plan view thereof;
FIG. 4 is a rear elevation view thereof;
FIG. 5 is a front elevation view thereof;
FIG. 6 is a left side view thereof; and,
FIG. 7 is a right side view thereof.

1 Claim, 2 Drawing Sheets



(56)

References Cited

U.S. PATENT DOCUMENTS

2010/0282183 A1* 11/2010 Lennox A01K 27/001
119/792

OTHER PUBLICATIONS

“Dogit Nylon Single Ply Dog Collar with Buckle”. Found online Dec. 1, 2016 at amazon.com. Page dated Aug. 12, 2013. Retrieved from https://www.amazon.com/Dogit-Single-Collar-Buckle-14-Inch/dp/B0035H7MME/ref=cm_cr_ar_p_d_product_top?ie=UTF8.*

“Dog Collar Buckles”. Found online Feb. 8, 2017 at steffanleather.com. Page dated Feb. 18, 2005. Retrieved from <http://web.archive.org/web/20050218004230/http://steffanleather.com/DOG%20COLLAR%20BUCKLES.HTML>.*

“Antique Silver Engraved Belt Buckle”. Found online Dec. 1, 2016 at belts.com. Page dated Jul. 2, 2014. Retrieved from <https://web.archive.org/web/20140702231551/http://belts.com/100409-antique-silver-engraved-belt-buckle-made-in-italy-belt-buckle.html>.*

* cited by examiner

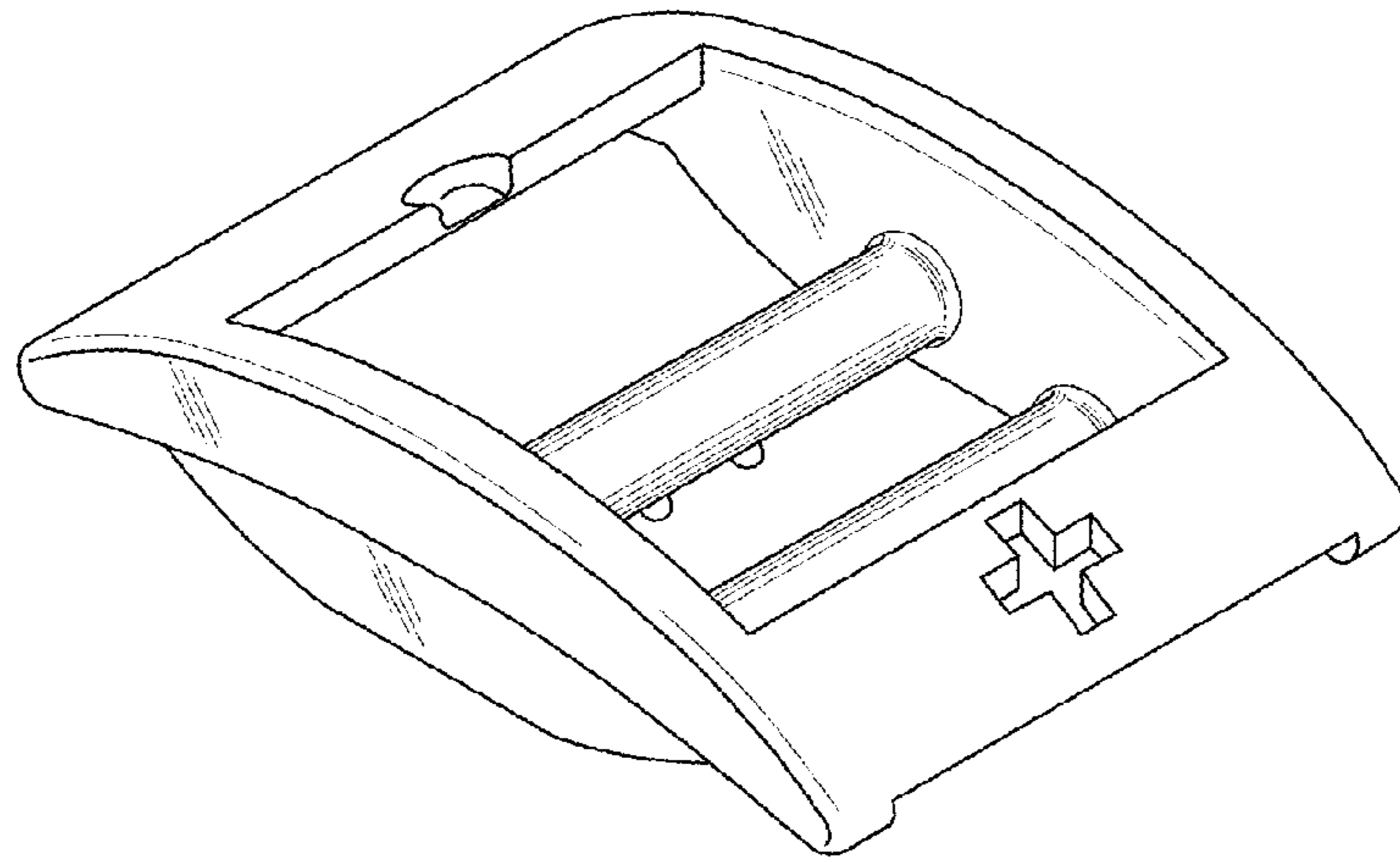


FIG. 1

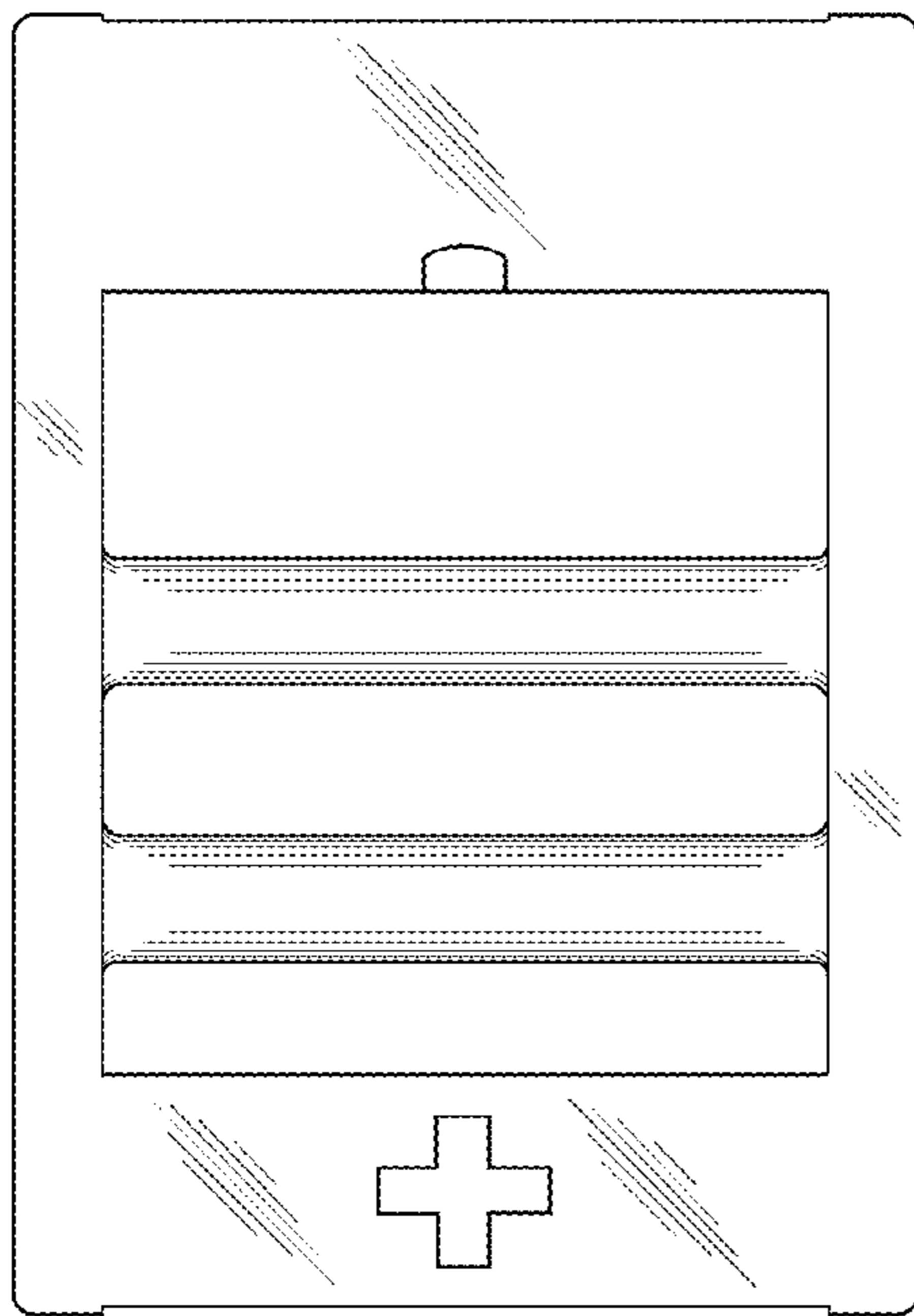


FIG. 2

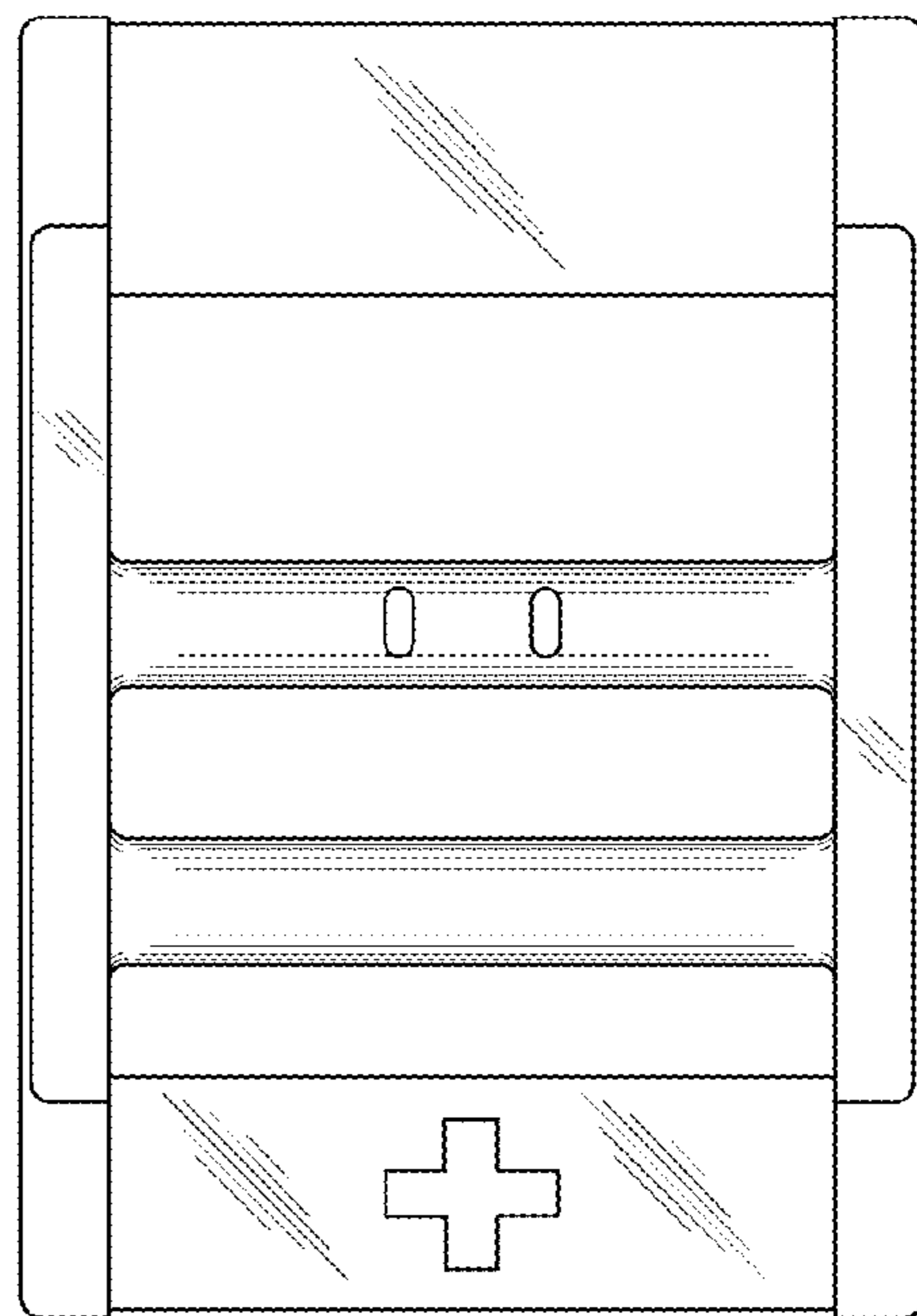


FIG. 3

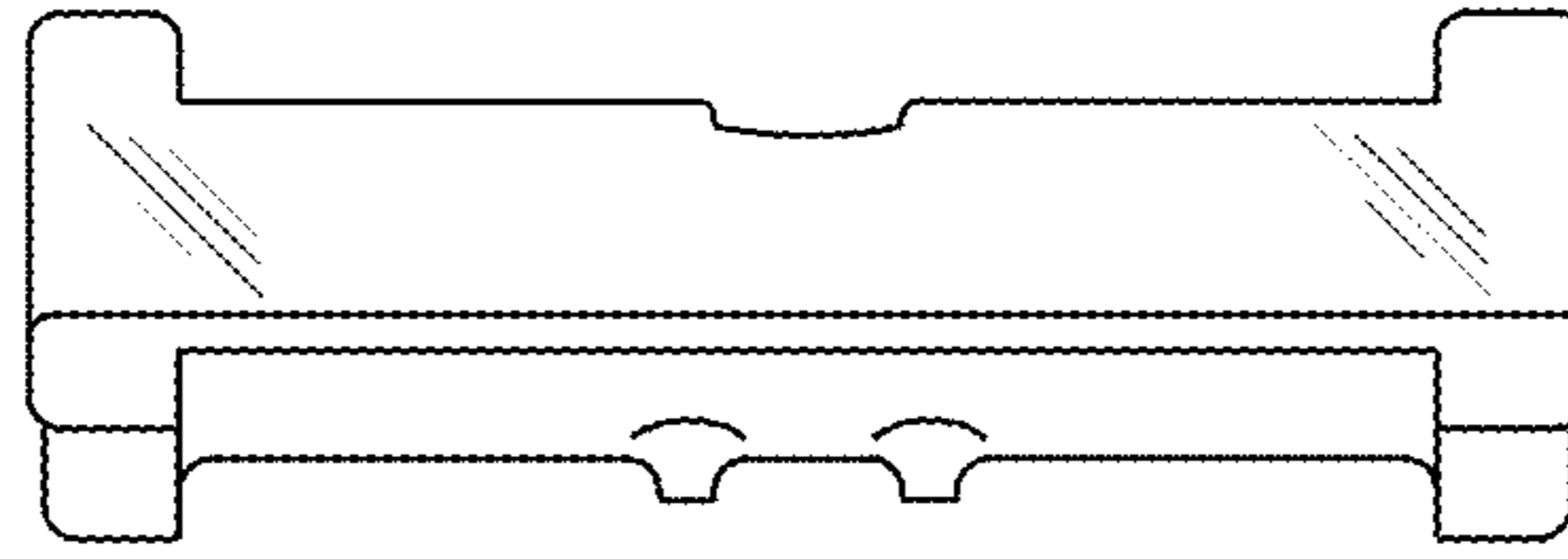


FIG. 4

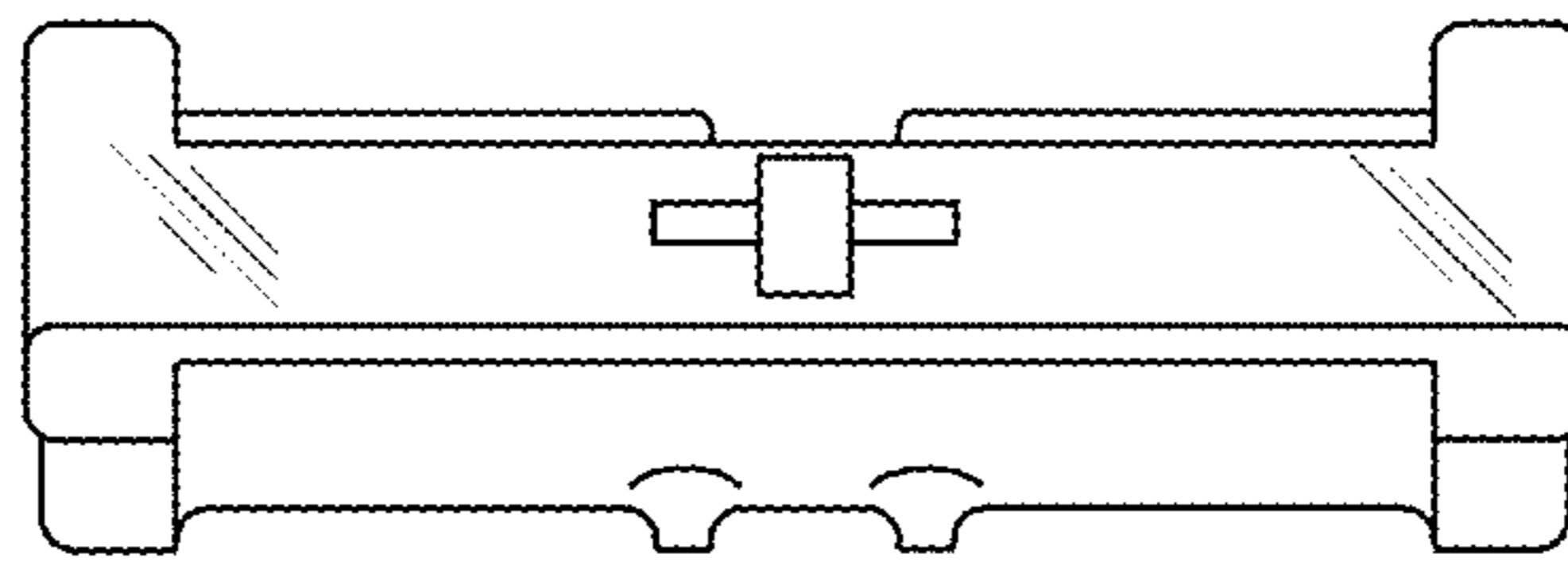


FIG. 5

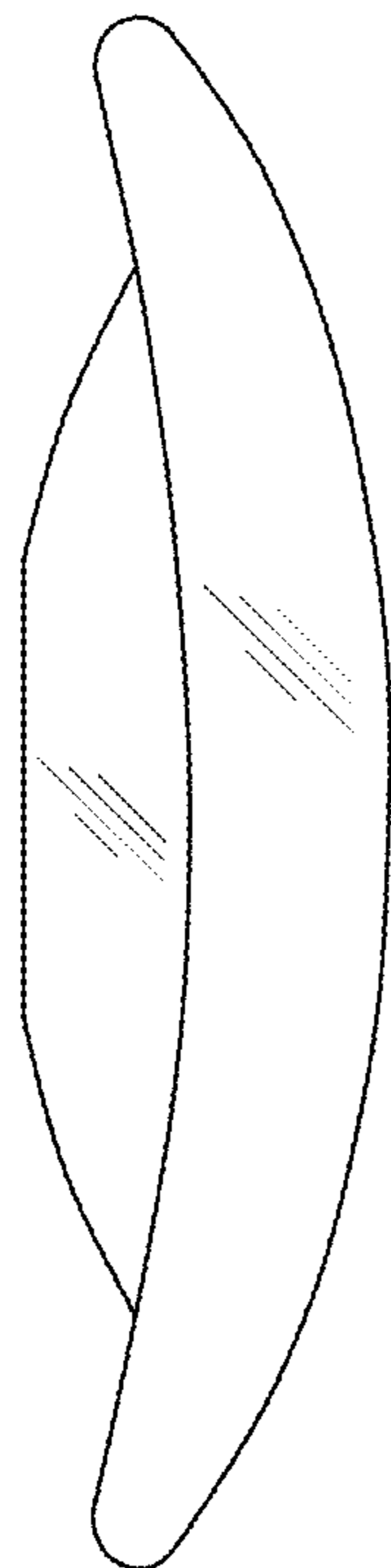


FIG. 6

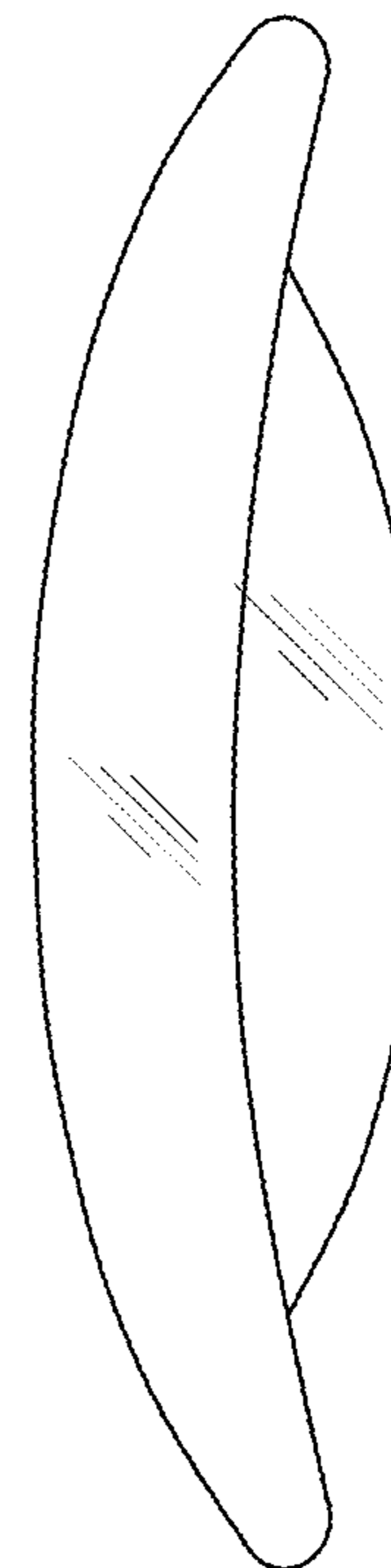


FIG. 7