



US00D790775S

(12) **United States Design Patent** (10) **Patent No.:** **US D790,775 S**
Lebel et al. (45) **Date of Patent:** **** Jun. 27, 2017**

(54) **HELMET**
(71) Applicant: **Revision Military S.a.r.L.,**
Luxembourg (LU)
(72) Inventors: **Stéphane Lebel, St. Redempteur (CA);**
Dominic Giroux Bernier, Montreal
(CA); Celine Gagnon, St-Jerome (CA);
Maryanne MacDougall, Lachine (CA);
Richard Coomber, Montreal (CA)
(73) Assignee: **Revision Military S.a.r.L.,**
Luxembourg (LU)

(**) Term: **15 Years**

(21) Appl. No.: **29/547,037**

(22) Filed: **Nov. 30, 2015**

(51) **LOC (10) Cl.** **29-02**

(52) **U.S. Cl.**
USPC **D29/122**

(58) **Field of Classification Search**
USPC D29/100, 102, 104, 105, 106, 107, 108,
D29/109, 110, 122
CPC .. A42B 1/066; A42B 1/00; A42B 1/06; A42B
3/228; A42B 3/00; A42B 3/08; A42B
3/32; A42B 3/222; A42B 3/20; A42B
3/227; A42B 3/105; A42B 3/04; A42B
3/06; A42B 3/0406; A42B 3/18; A42B
3/166; A42B 3/16; A42B 3/22; A42B
3/0473; A42B 3/127; A63B 71/10; A63B
71/105; A41D 13/0512
See application file for complete search history.

(56) **References Cited**
U.S. PATENT DOCUMENTS
D251,156 S * 2/1979 Schleicher D29/107
D376,674 S * 12/1996 Kamata D29/107
5,765,235 A * 6/1998 Arnold A42B 3/24
2/15

D446,357 S * 8/2001 Shida D29/107
D492,450 S * 6/2004 Fournier D29/122
6,766,537 B1 * 7/2004 Maki A42B 3/286
128/200.28
D498,563 S * 11/2004 Fournier D29/122
D511,227 S * 11/2005 Canavan D29/122
D513,094 S * 12/2005 Dorian D29/107
D524,992 S * 7/2006 Belin D29/122
7,181,777 B2 * 2/2007 Choi A42B 3/222
2/424
D539,988 S * 4/2007 Crafoord D29/122
D632,437 S * 2/2011 Lebel et al.
D692,187 S * 10/2013 Isobe D29/110
D735,949 S * 8/2015 Dion D29/122
2012/0117717 A1 5/2012 McGinn et al.
2013/0191974 A1 8/2013 Lebel et al.
2013/0291290 A1 11/2013 Bernier et al.
2015/0026872 A1 1/2015 Giroux et al.

* cited by examiner

Primary Examiner — Randall Gholson
(74) *Attorney, Agent, or Firm* — Wolf, Greenfield &
Sacks, P.C.

(57) **CLAIM**
The ornamental design for a helmet, as shown and
described.

DESCRIPTION
FIG. 1 is a top, rear, left side perspective view of a helmet
according to our new design;
FIG. 2 is a front elevational view thereof;
FIG. 3 is a rear elevational view thereof;
FIG. 4 is a top plan view thereof;
FIG. 5 is a bottom plan view thereof; and,
FIG. 6 is a right side elevational view thereof, the left side
elevational view being a mirror image of FIG. 6.
The dot-dash broken lines shown in FIGS. 1-4, and 6 define
boundaries of the claimed design and form no part thereof.
All other broken lines shown in FIGS. 1-6 represent
unclaimed portions of the helmet and form no part of the
claimed design.

1 Claim, 5 Drawing Sheets

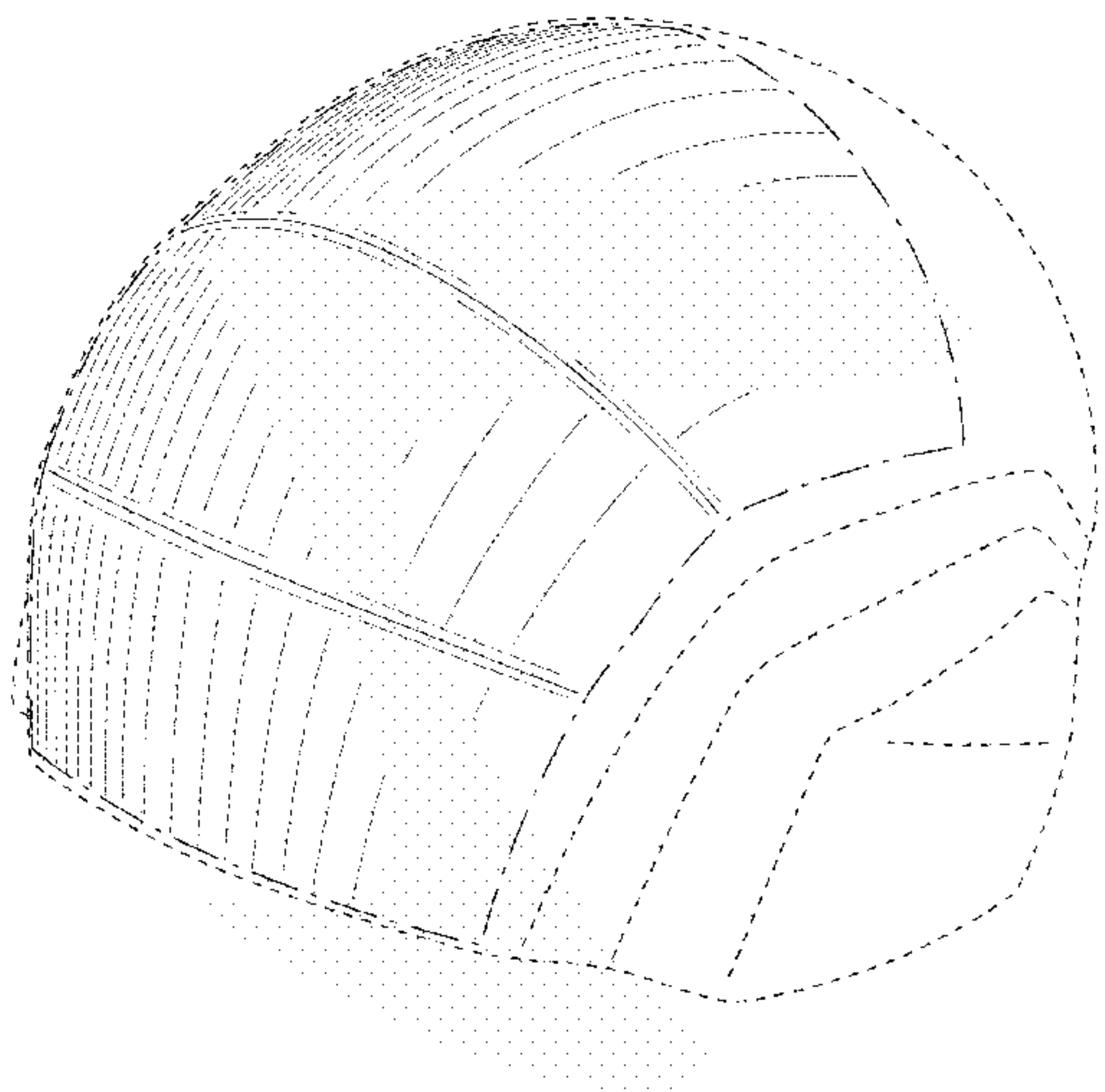


FIG. 1

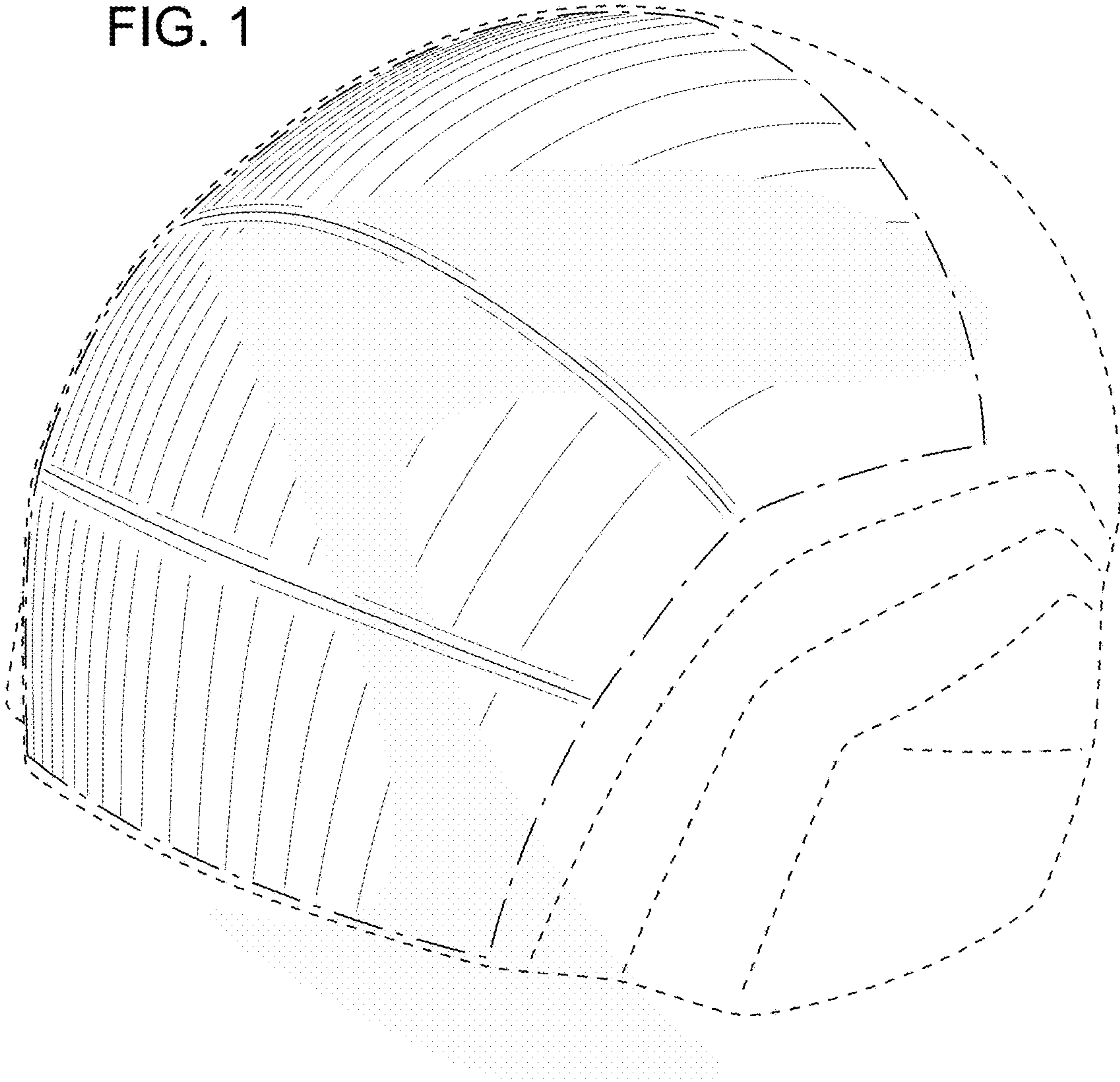


FIG. 2

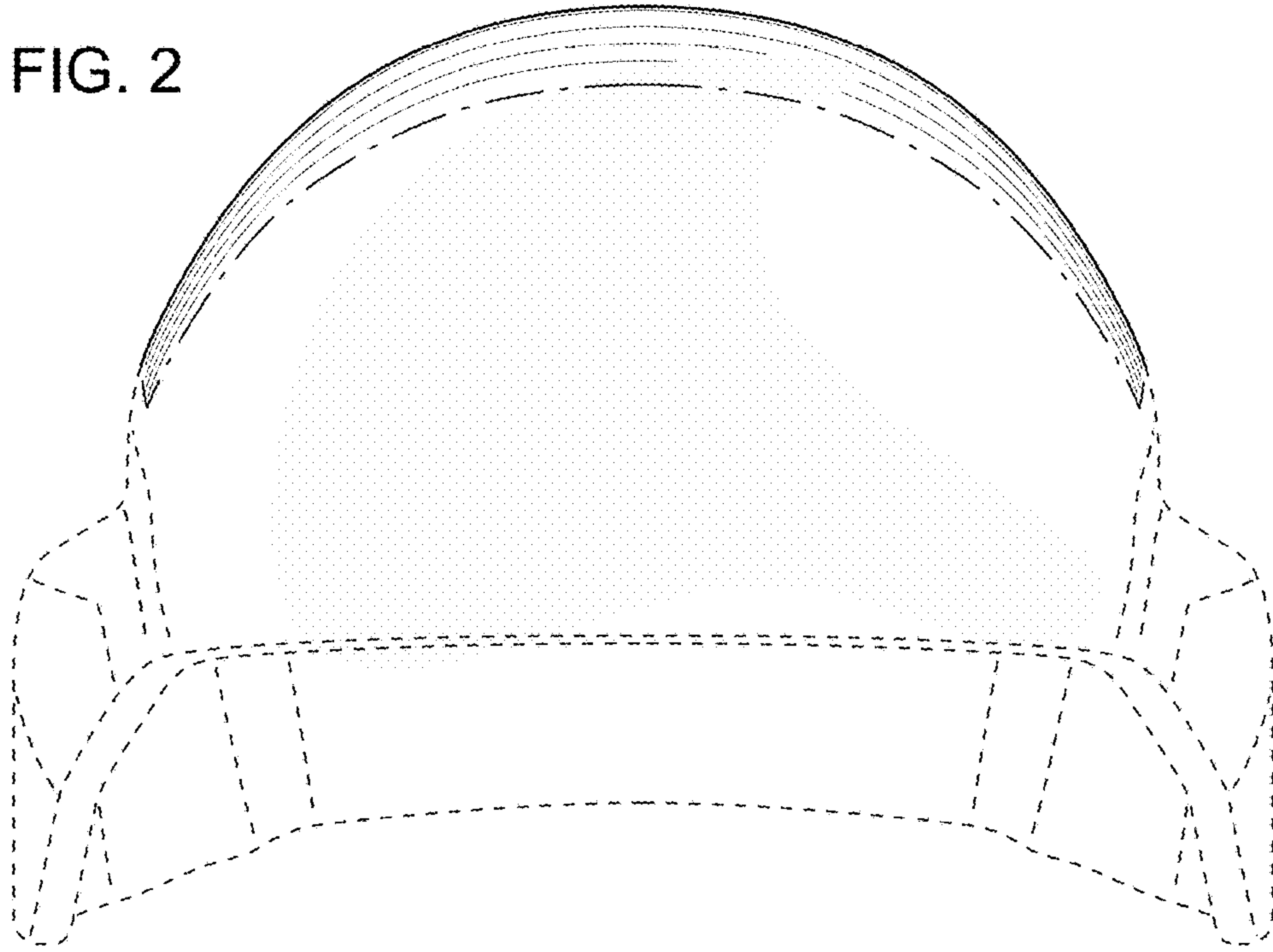


FIG. 3

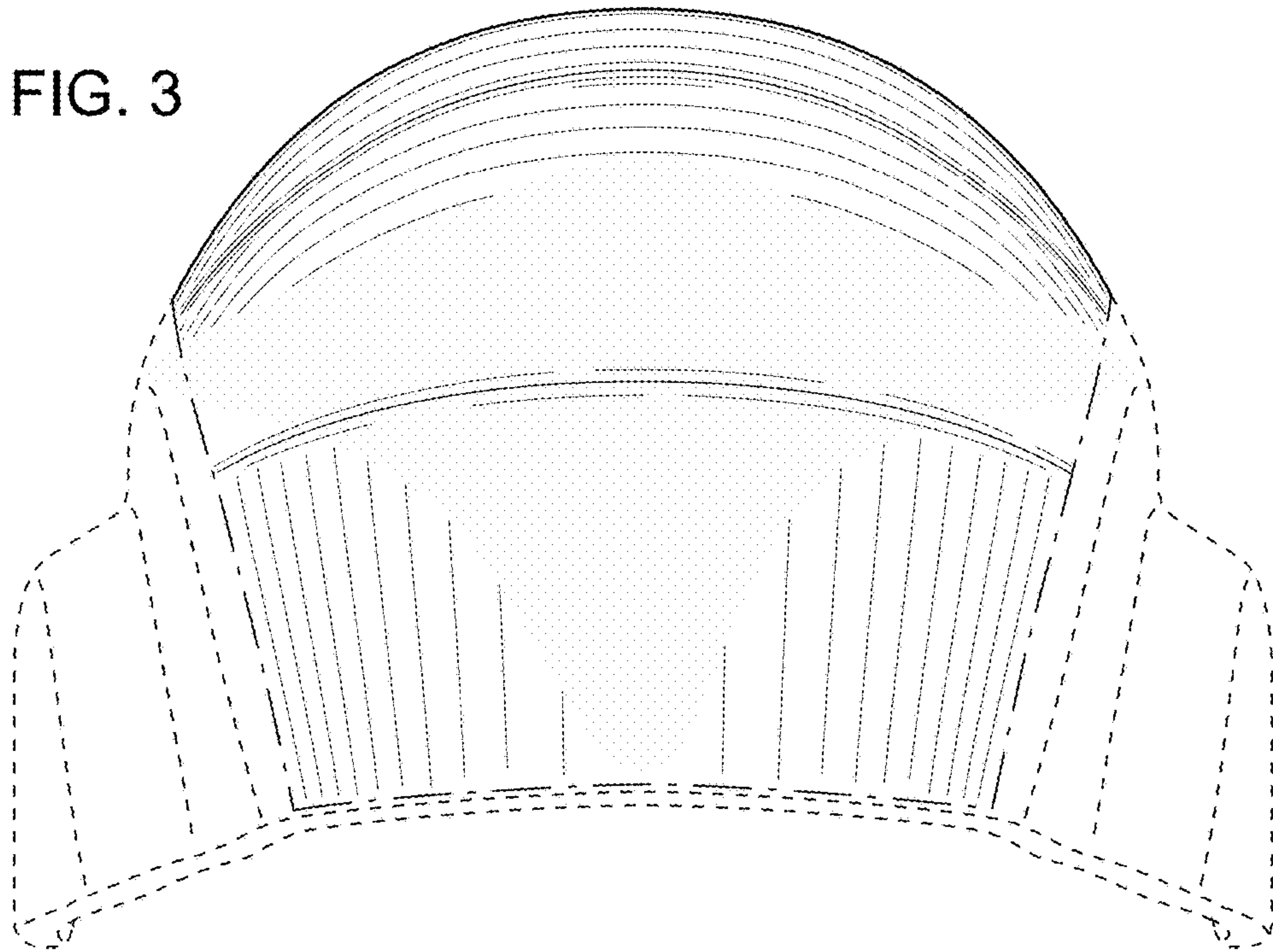


FIG. 4

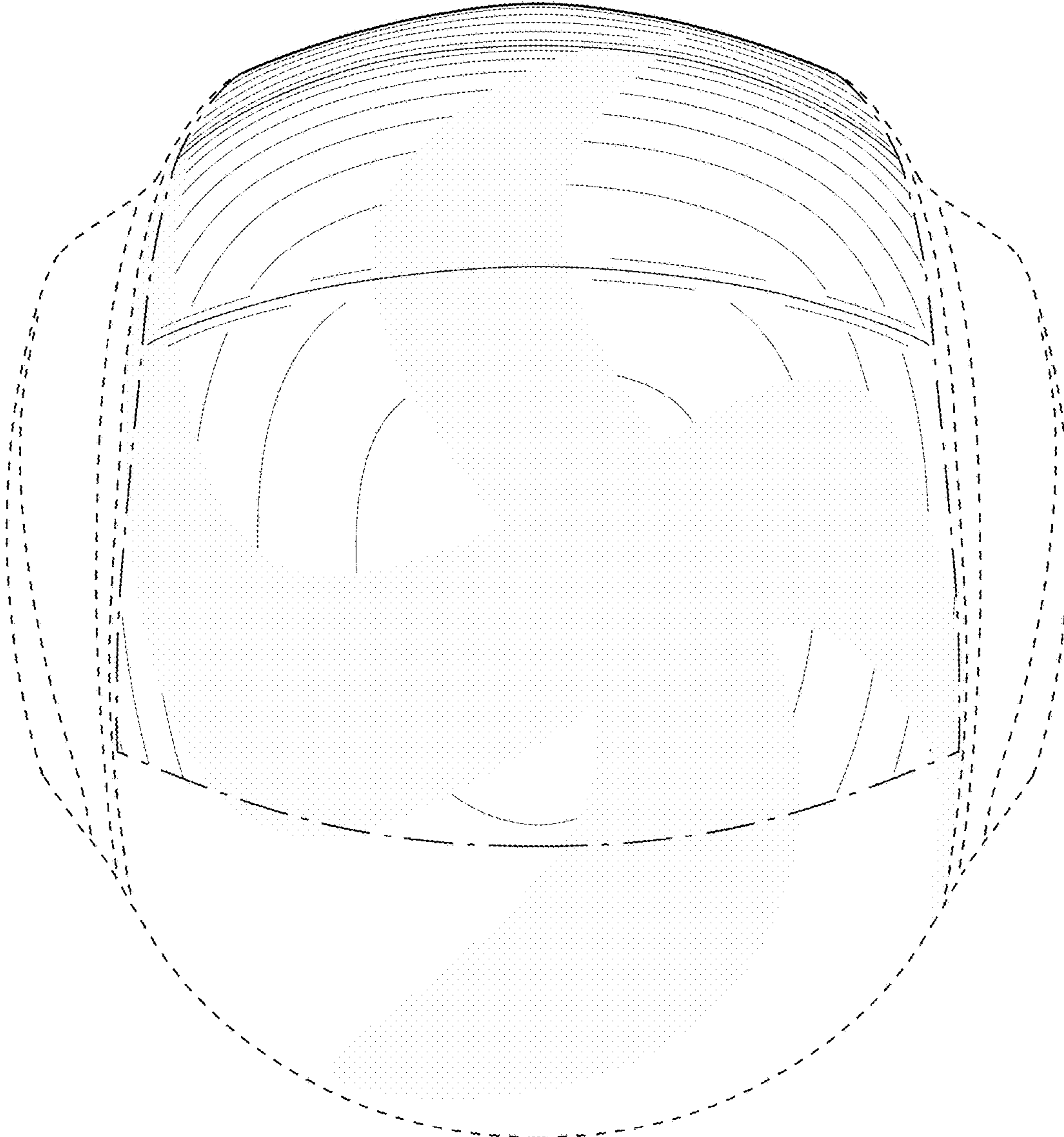


FIG. 5

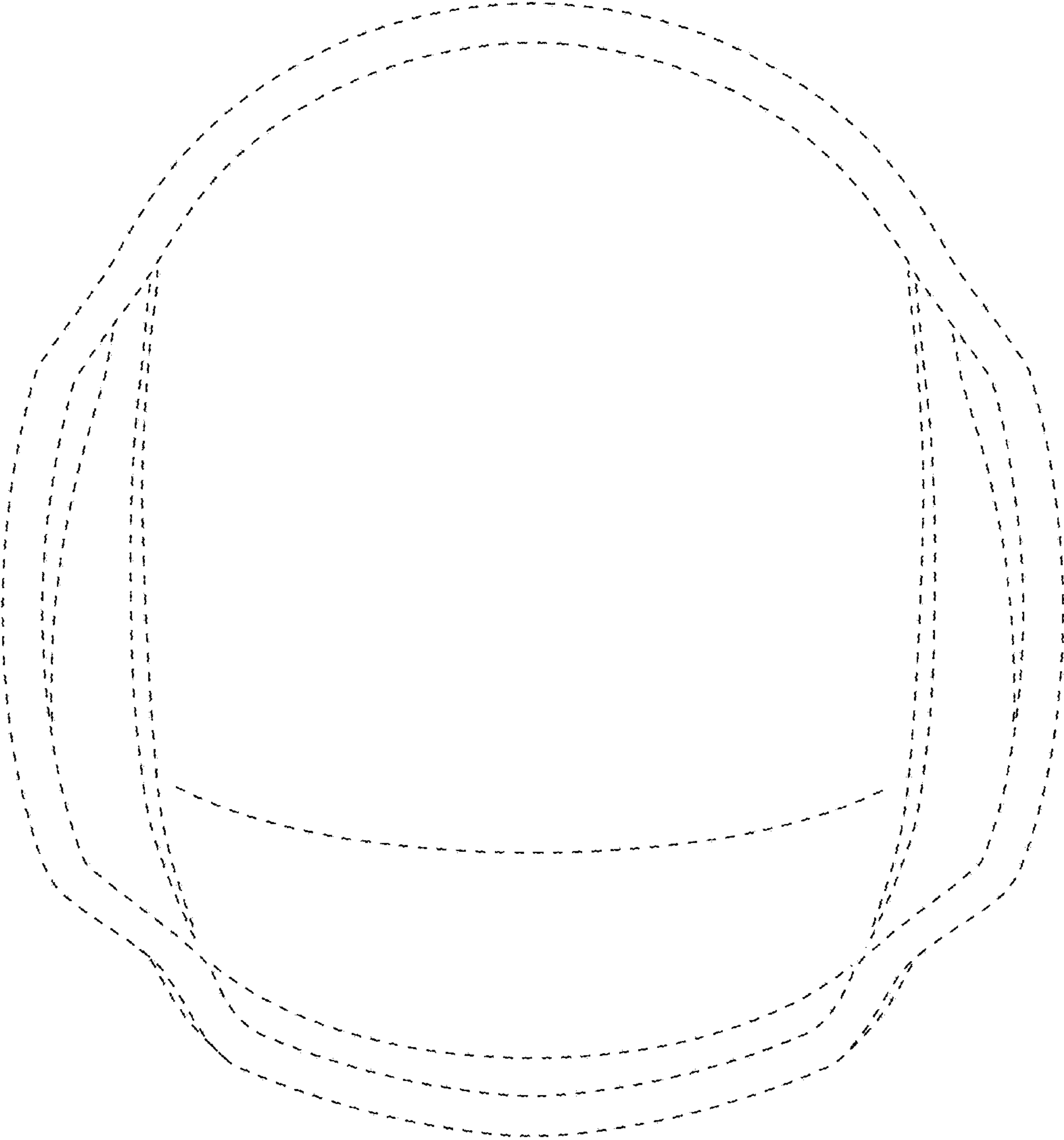


FIG. 6

