



US00D790771S

(12) **United States Design Patent** (10) **Patent No.:** **US D790,771 S**
Stoka (45) **Date of Patent:** **** Jun. 27, 2017**

(54) **PROSTHETIC EYELASH**
(71) Applicant: **Katy Stoka**, Miami Beach, FL (US)
(72) Inventor: **Katy Stoka**, Miami Beach, FL (US)
(73) Assignee: **ONE TWO COSMETICS, LLC**,
Miami Beach, FL (US)
(**) Term: **14 Years**
(21) Appl. No.: **29/522,977**
(22) Filed: **Apr. 6, 2015**
(51) **LOC (10) Cl.** **28-04**
(52) **U.S. Cl.**
USPC **D28/92**
(58) **Field of Classification Search**
USPC D28/39-43, 92, 93
CPC A41G 5/02; A61F 2/10
See application file for complete search history.

(56) **References Cited**
U.S. PATENT DOCUMENTS
1,450,259 A * 4/1923 Nessler A41G 5/02
132/201
1,831,801 A * 11/1931 Birk A41G 5/02
132/53
D207,145 S * 3/1967 Aylott D28/92
D223,884 S * 6/1972 Dean 132/53
3,880,175 A * 4/1975 Hosokawa A41G 5/02
132/53
3,900,038 A * 8/1975 Masters A41G 5/02
132/201
4,299,242 A * 11/1981 Choe A41G 5/02
132/53
D510,159 S * 9/2005 Song D28/92
D632,018 S * 2/2011 Nguyen D28/92
D632,019 S * 2/2011 Nguyen D28/92

2002/0198597 A1* 12/2002 Godfrey A61F 2/10
623/15.11
2007/0227550 A1* 10/2007 Merszei A41G 5/02
132/53
2007/0272264 A1* 11/2007 Byrne A41G 5/02
132/201

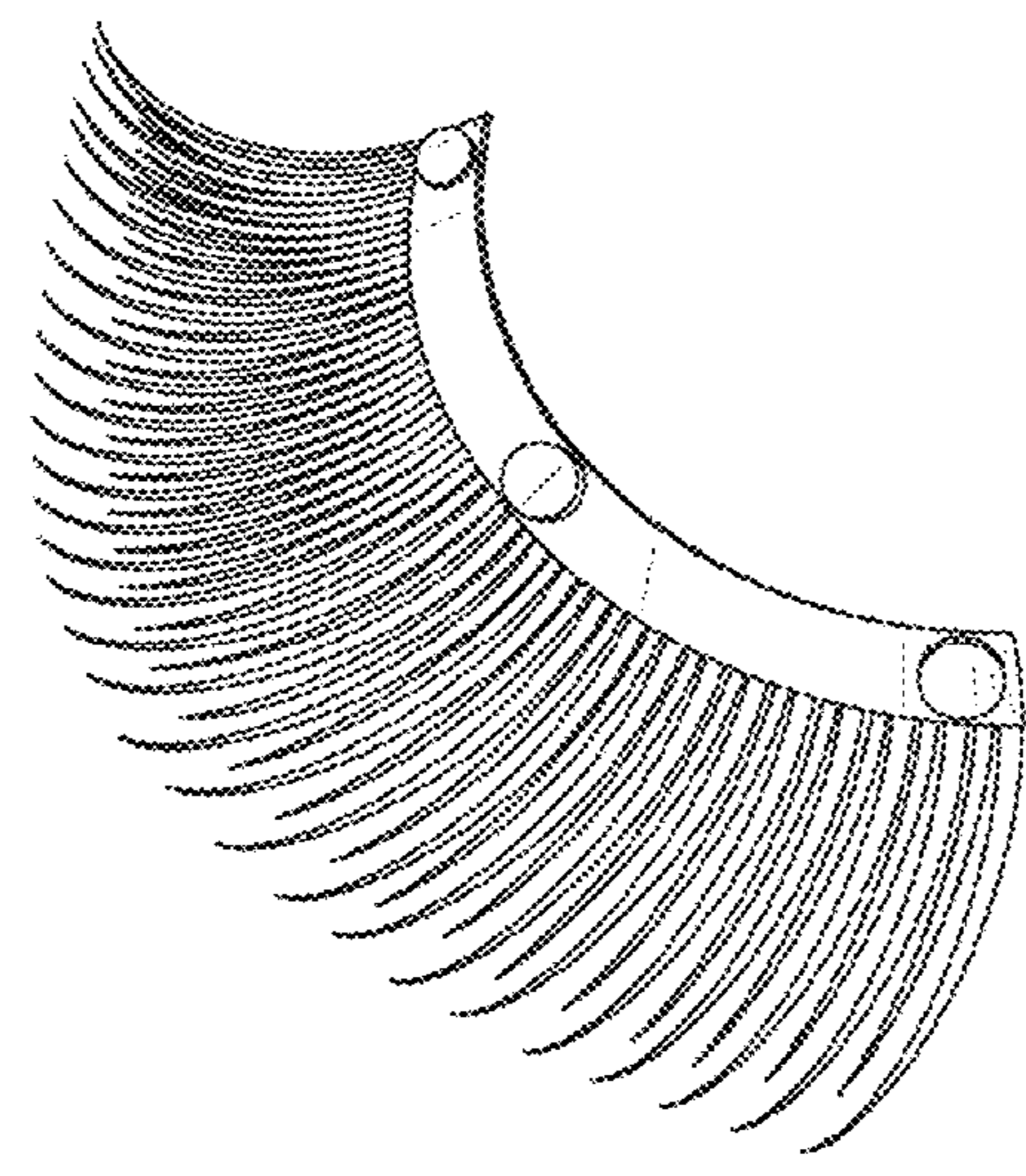
OTHER PUBLICATIONS
Beautylish, "Sugarpill's New Faux Lashes Are Super Glam", posted on Beautylish.com, posted on Mar. 19, 2014, [online], [site visited on Aug. 9, 2016]. Available from Internet, <URL:https://www.beautylish.com/a/vxsuq/old-hollywood-fake-eyelashes>.*
KKCenterHk, "Red Cherry and Shiny Feather False Eyelashes—SDLP", posted on Dec. 13, 2011, [online], [site visited on Aug. 9, 2016]. Available from Internet, <URL:https://web.archive.org/web/20130407060057/http://www.kkcenterhk.com/Vibrant-Lashes/c97/p5797/RED-CHERRY-Shimmer-&-Feather-False-Lashes-SDLP/product_info.html>.*

(Continued)
Primary Examiner — Sheryl Lane
Assistant Examiner — Samantha Wood
(74) *Attorney, Agent, or Firm* — Lott & Fischer, PL

(57) **CLAIM**
The ornamental design for a prosthetic eyelash, substantially as shown and described.

DESCRIPTION
FIG. 1 is a perspective view of my new design;
FIG. 2 is a bottom plan view of the design of FIG. 1;
FIG. 3 is a top plan view of the design of FIG. 1;
FIG. 4 is a perspective view of a first alternative embodiment of my new design;
FIG. 5 is a bottom plan view of the design of FIG. 4;
FIG. 6 is a top plan view of the design of FIG. 4;
FIG. 7 is a perspective view of a second alternative embodiment of my new design;
FIG. 8 is a bottom plan view of the design of FIG. 7; and,
FIG. 9 is a top plan view of the design of FIG. 7.

1 Claim, 9 Drawing Sheets



(56)

References Cited

OTHER PUBLICATIONS

Elegant Lashes, D174 Decorated Eyelash, customer review on Aug. 2, 2013, [online], [site visited on Apr. 17, 2017]. Available from Internet, <URL: <https://elegantlashes.com/Decorated-Lashes/d174-decorated-eyelash.html>>.*

Elegant Lashes, D177 Decorated Eyelash, no review date, [online], [site visited on Apr. 17, 2017]. Available from Internet, <URL: <https://elegantlashes.com/Decorated-Lashes/d177-decorated-eyelash.html>>.*

* cited by examiner

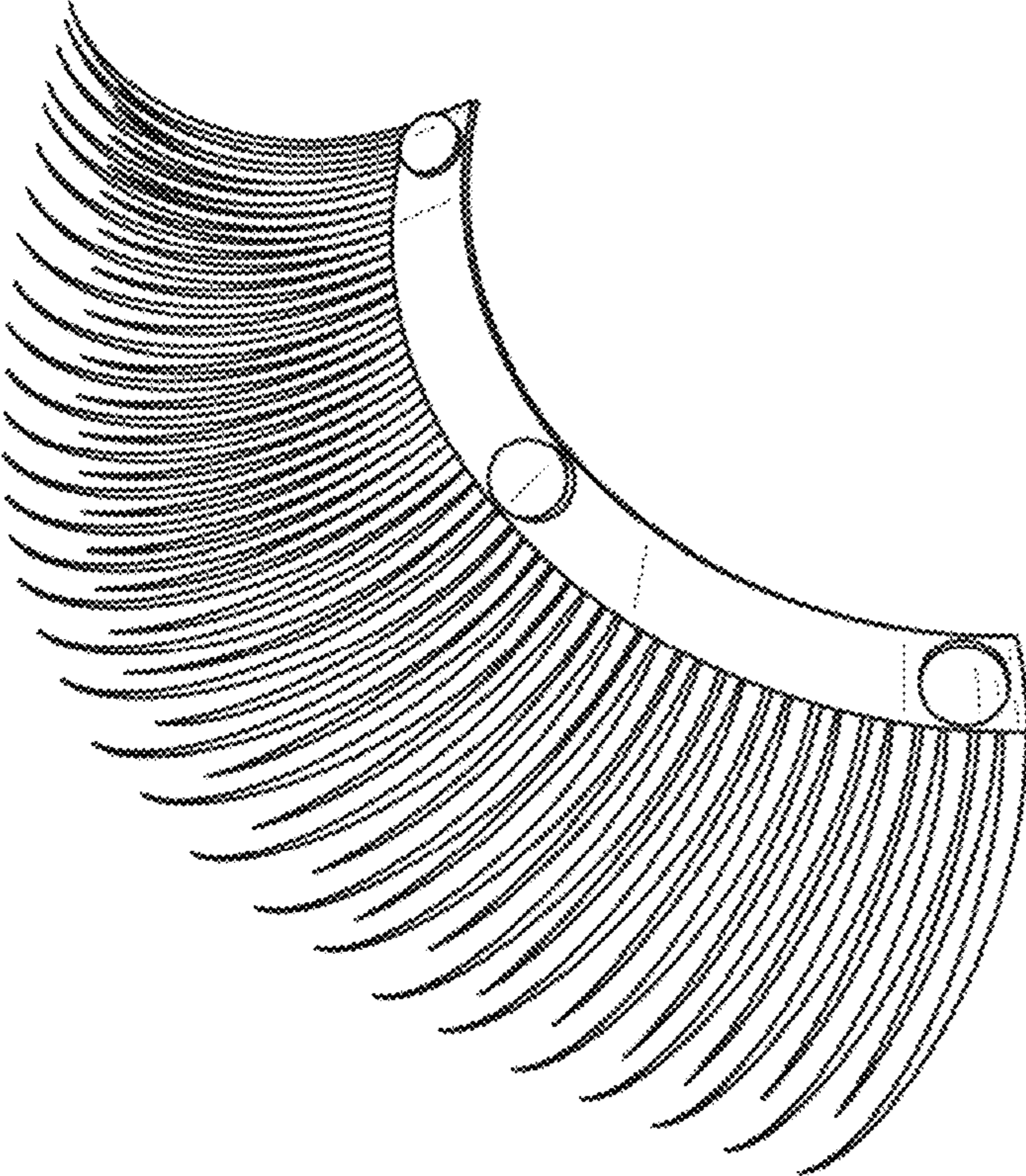


FIG. 1

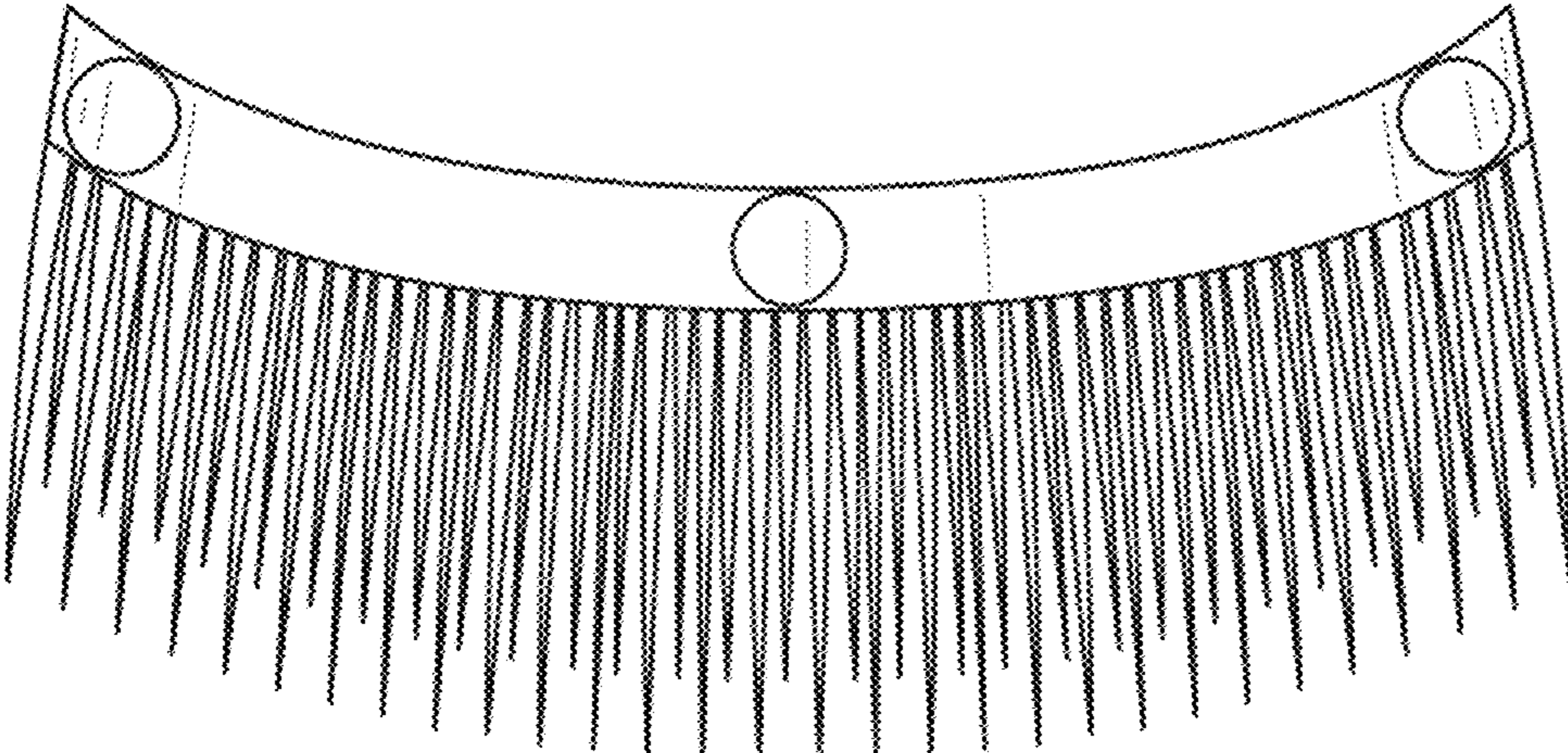


FIG. 2

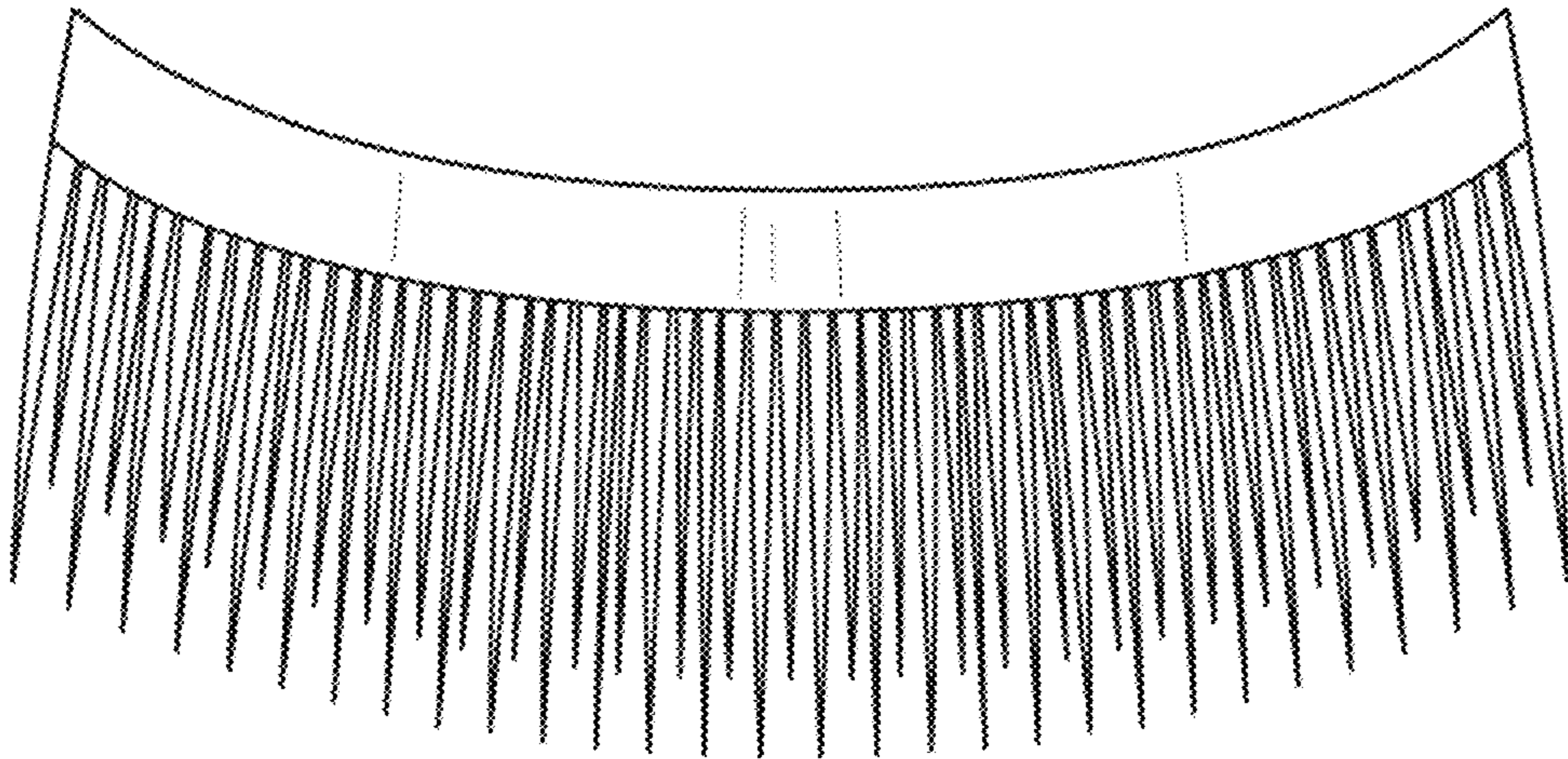


FIG. 3

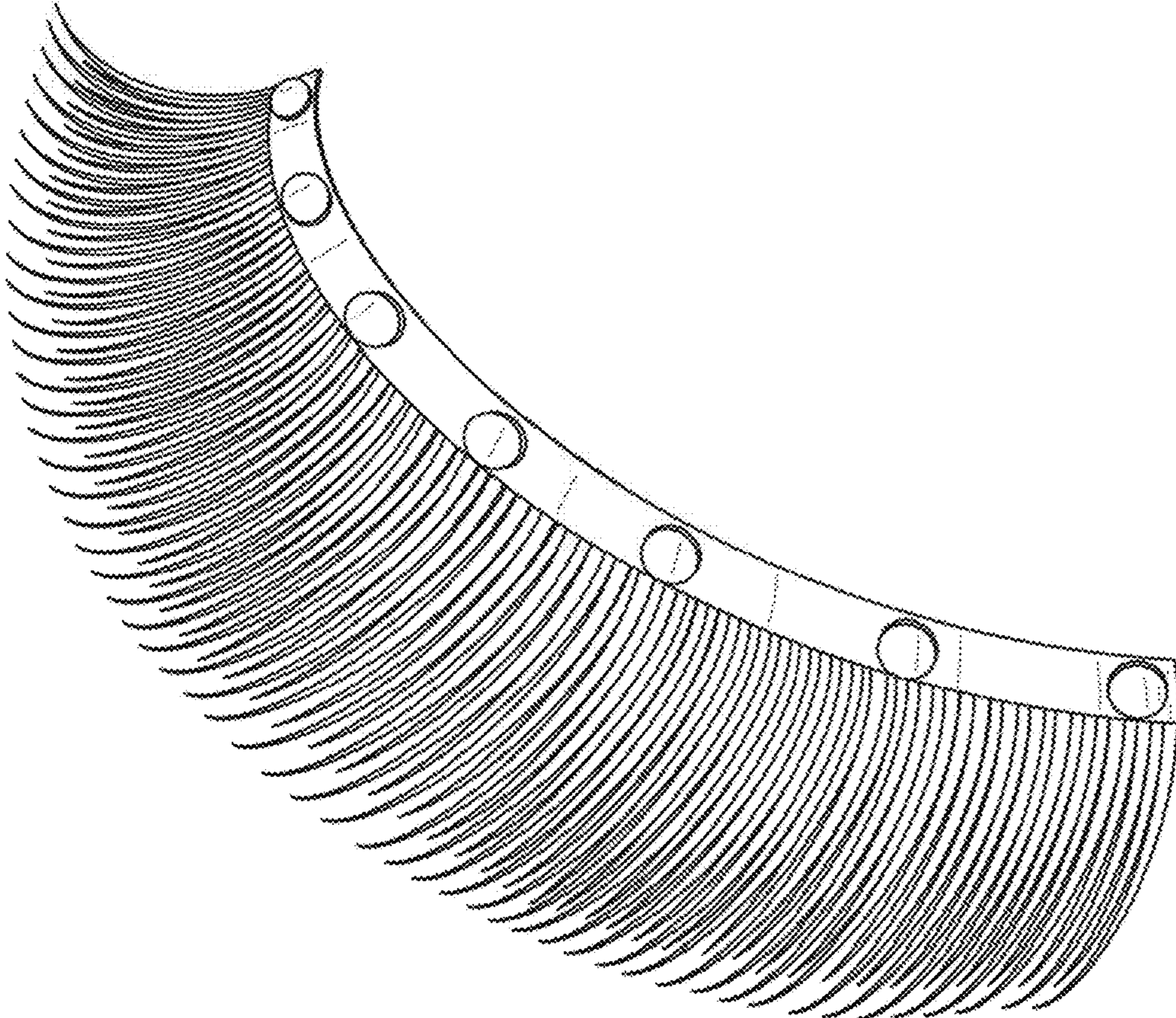


FIG. 4

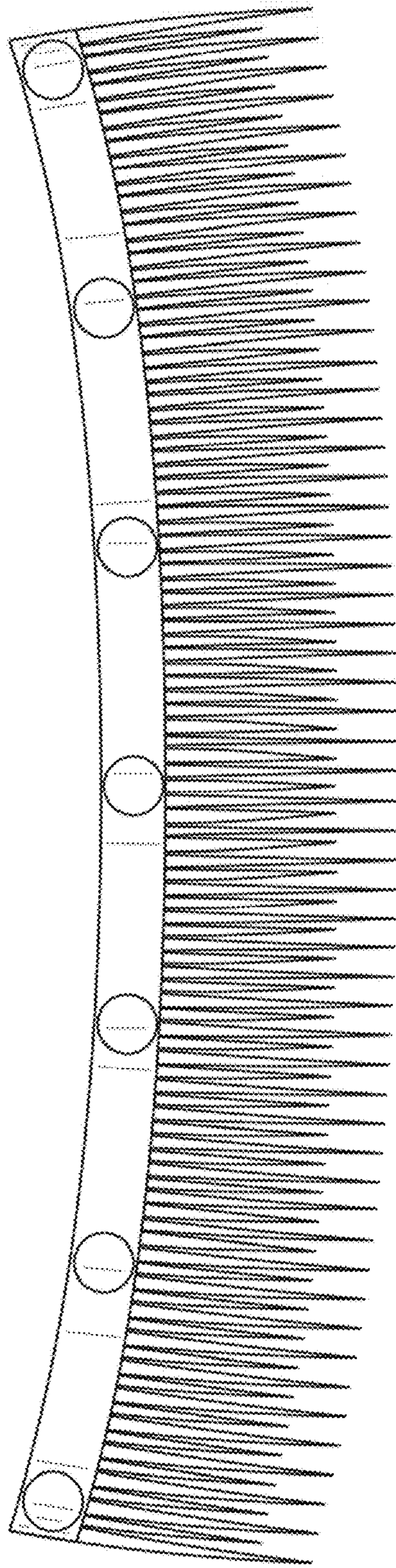


FIG. 5

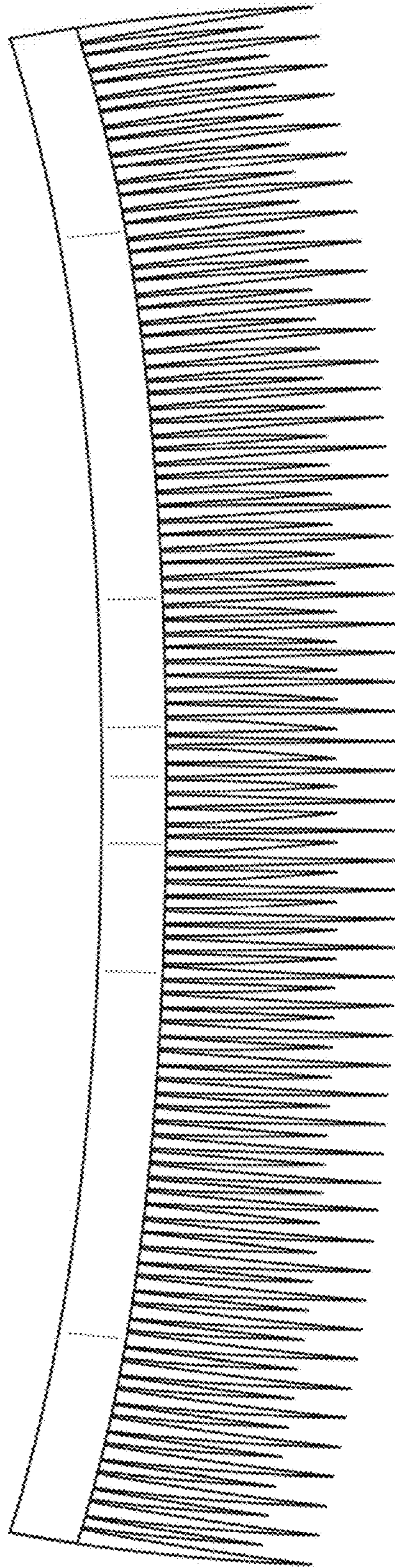


FIG. 6

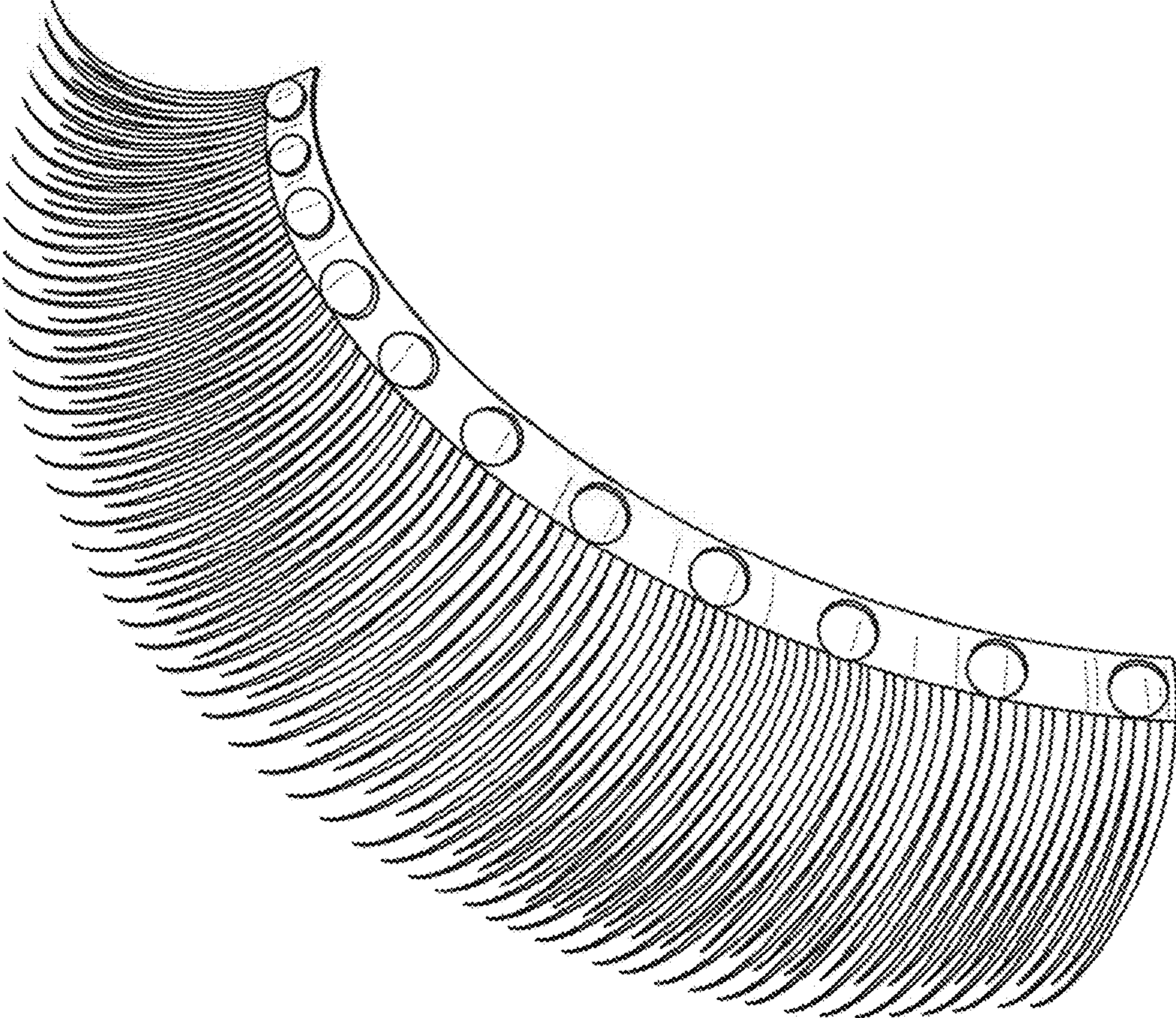


FIG. 7

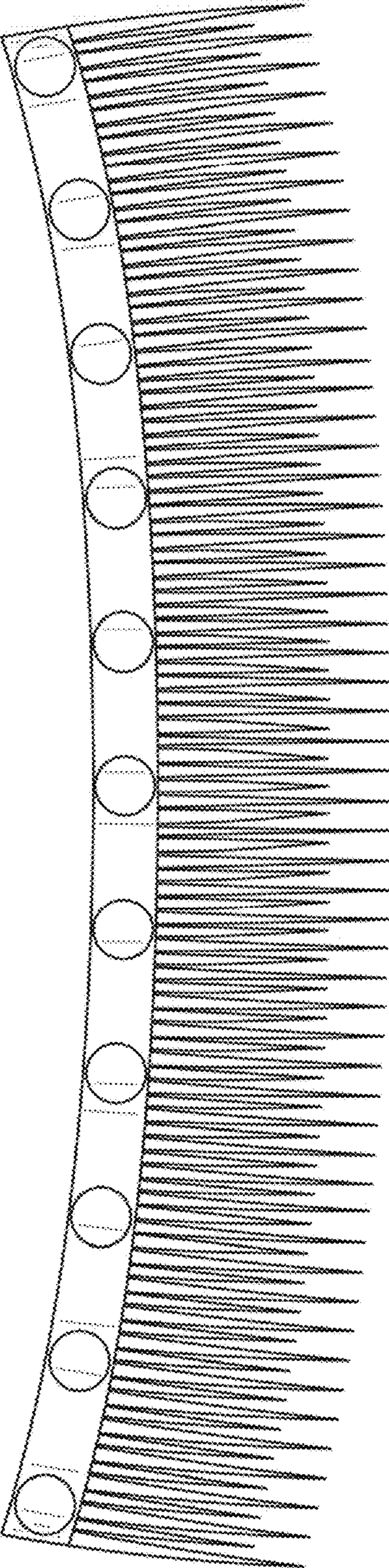


FIG. 8

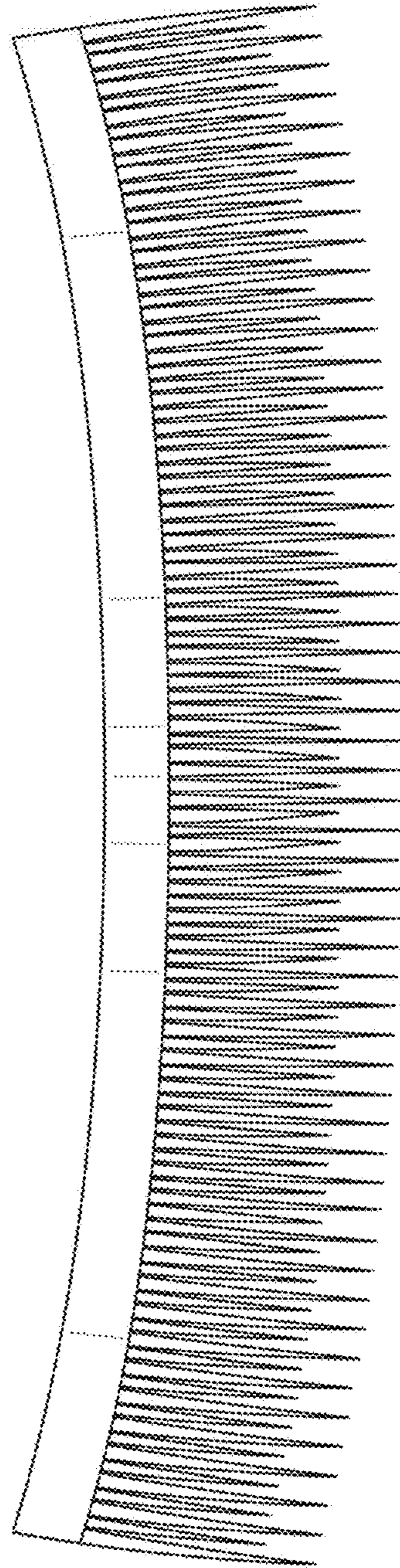


FIG. 9