



US00D790769S

(12) **United States Design Patent**
Drori

(10) **Patent No.:** **US D790,769 S**
(45) **Date of Patent:** **** Jun. 27, 2017**

- (54) **WET-SHAVE RAZOR GUARD**
- (71) Applicant: **Eran Drori**, Los Angeles, CA (US)
- (72) Inventor: **Eran Drori**, Los Angeles, CA (US)
- (**) Term: **15 Years**
- (21) Appl. No.: **29/551,395**
- (22) Filed: **Jan. 13, 2016**
- (51) **LOC (10) Cl.** **28-03**
- (52) **U.S. Cl.**
USPC **D28/54**
- (58) **Field of Classification Search**
USPC D28/49-54
CPC . B26B 21/40; B26B 21/4018; B26B 21/4025;
B26B 21/42; B26B 21/4043; B26B
19/3813; B26B 19/20
See application file for complete search history.

(56) **References Cited**
U.S. PATENT DOCUMENTS

2,608,756	A *	9/1952	Jepson	B26B 19/20 30/286
7,322,109	B2 *	1/2008	Newkirk	B26B 21/42 30/30
8,136,253	B2 *	3/2012	Zoot	B26B 19/22 30/195
D706,487	S *	6/2014	Yiu	D28/54
D753,879	S *	4/2016	Andersson	D28/54
D754,399	S *	4/2016	Andersson	D28/54
D754,400	S *	4/2016	Andersson	D28/54
9,434,078	B2 *	9/2016	Julemont	B26B 19/20
D776,349	S *	1/2017	Skye	D28/54
2007/0214653	A1 *	9/2007	Worgull	B26B 19/3813 30/195
2008/0047145	A1 *	2/2008	Dietzel	B26B 19/20 30/34.05

2008/0184565	A1 *	8/2008	Zoot	B26B 19/3813 30/196
2011/0214290	A1 *	9/2011	Micinilio	B26B 21/4018 30/32
2013/0042487	A1 *	2/2013	Julemont	B26B 19/20 30/277.4
2013/0199346	A1 *	8/2013	Psimadas	B26B 21/225 83/13
2014/0215832	A1 *	8/2014	Julemont	B26B 19/20 30/200

* cited by examiner

Primary Examiner — Jennifer Rivard
(74) *Attorney, Agent, or Firm* — Omni Legal Group
P.L.C.; Omid E. Khalifeh

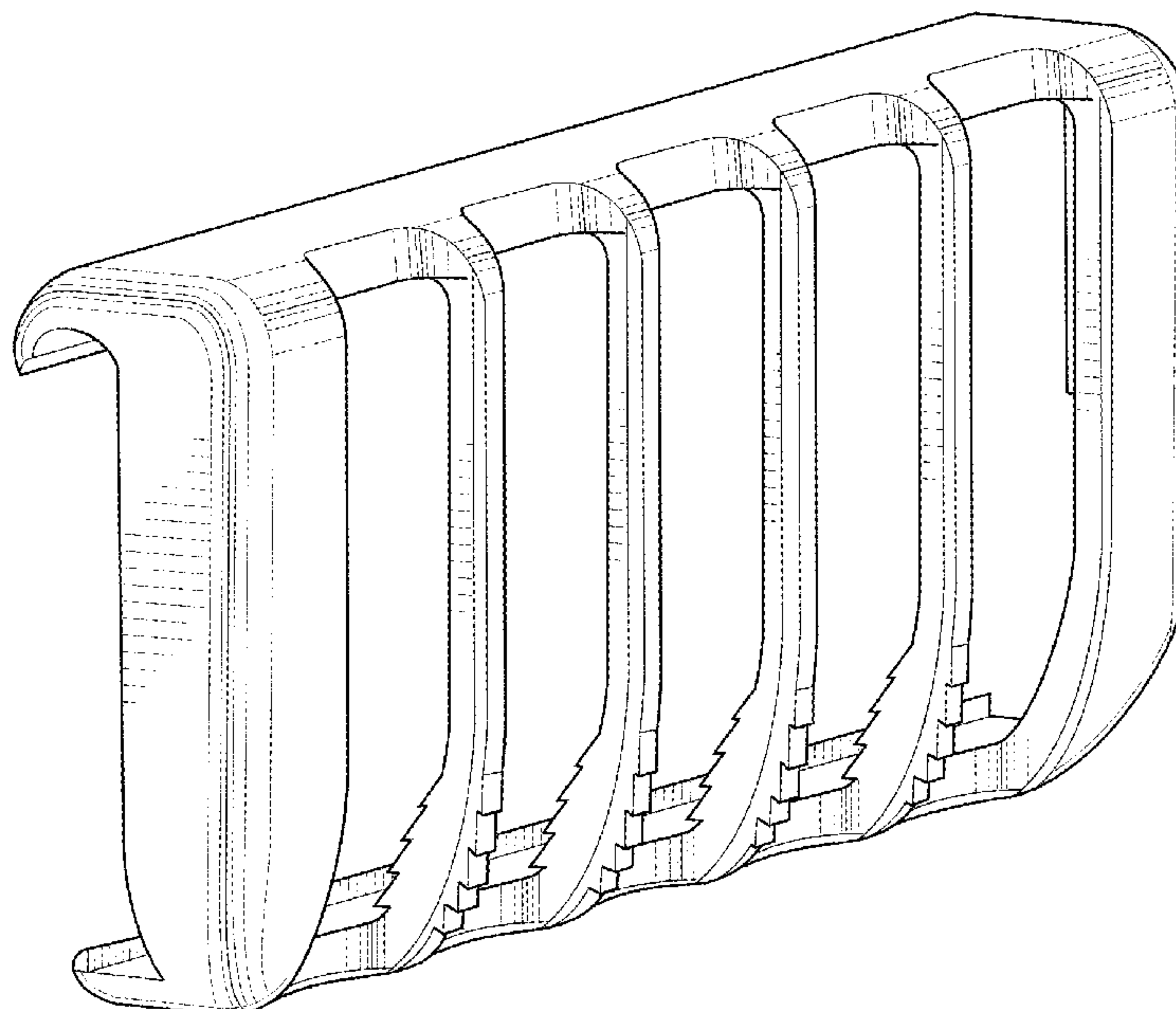
(57) **CLAIM**

The ornamental design for wet-shave razor guard, as shown and described.

DESCRIPTION

FIG. 1 is a front perspective view of a wet-shave razor guard according to the present invention;
 FIG. 2 is a rear perspective view of a wet-shave razor guard according to the present invention;
 FIG. 3 is a front elevation view of a wet-shave razor guard according to the present invention;
 FIG. 4 is a rear elevation view of a wet-shave razor guard according to the present invention;
 FIG. 5 is a top plan view of a wet-shave razor guard according to the present invention;
 FIG. 6 is a bottom plan view of a wet-shave razor guard according to the present invention;
 FIG. 7 is a right side elevation view of a wet-shave razor guard according to the present invention; and,
 FIG. 8 is a left side elevation view of a wet-shave razor guard according to the present invention.

1 Claim, 7 Drawing Sheets



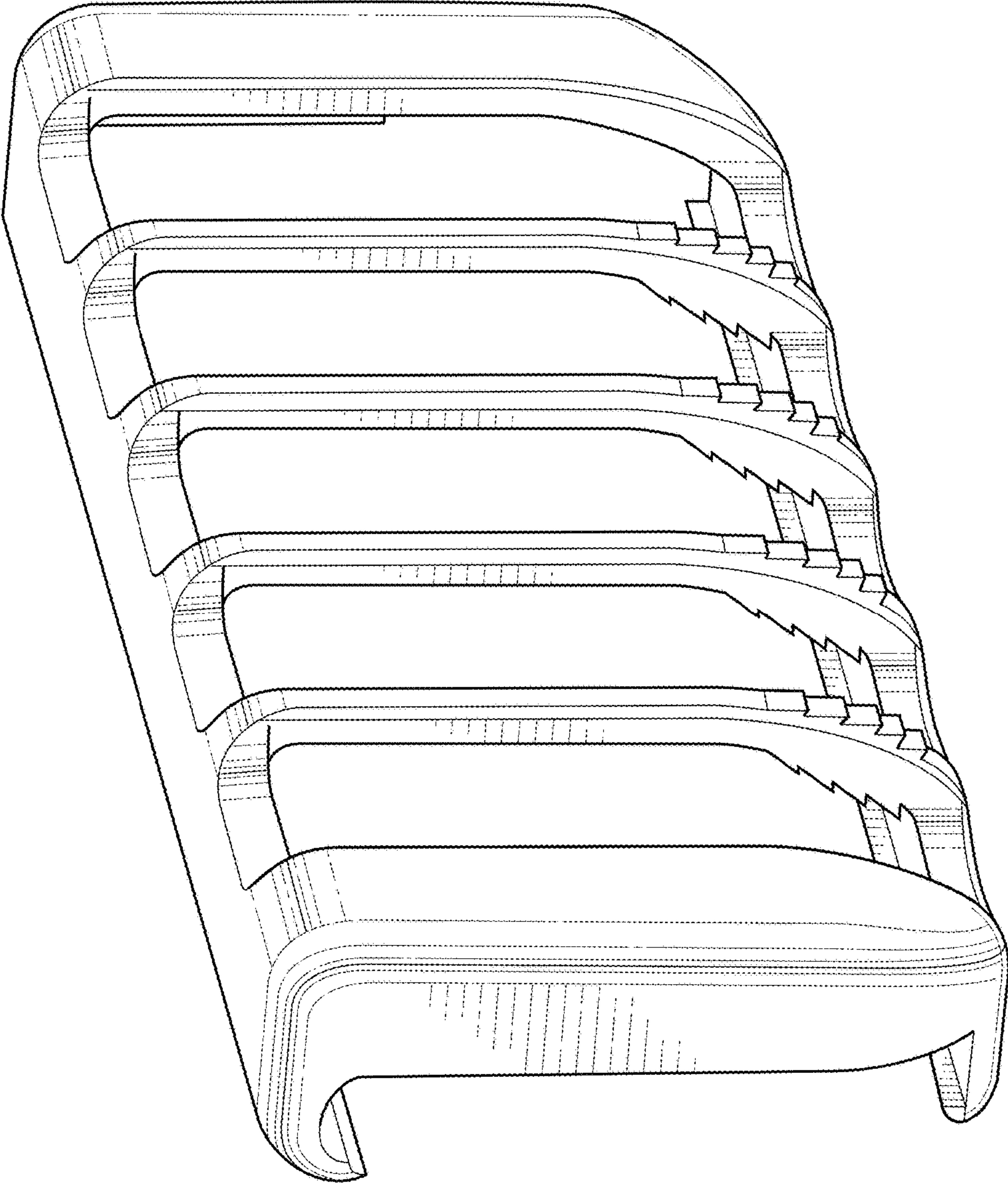


FIG. 1

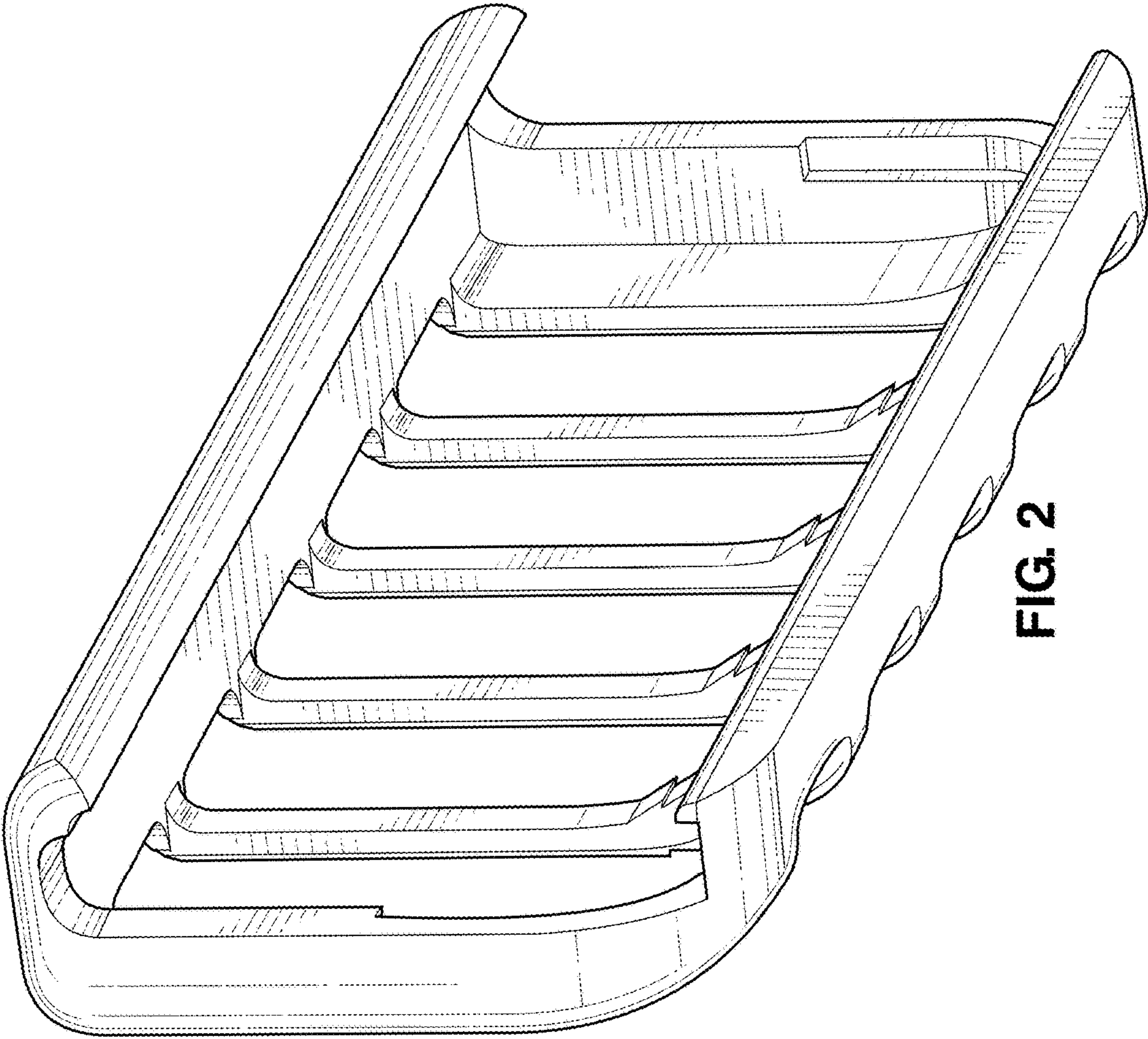


FIG. 2

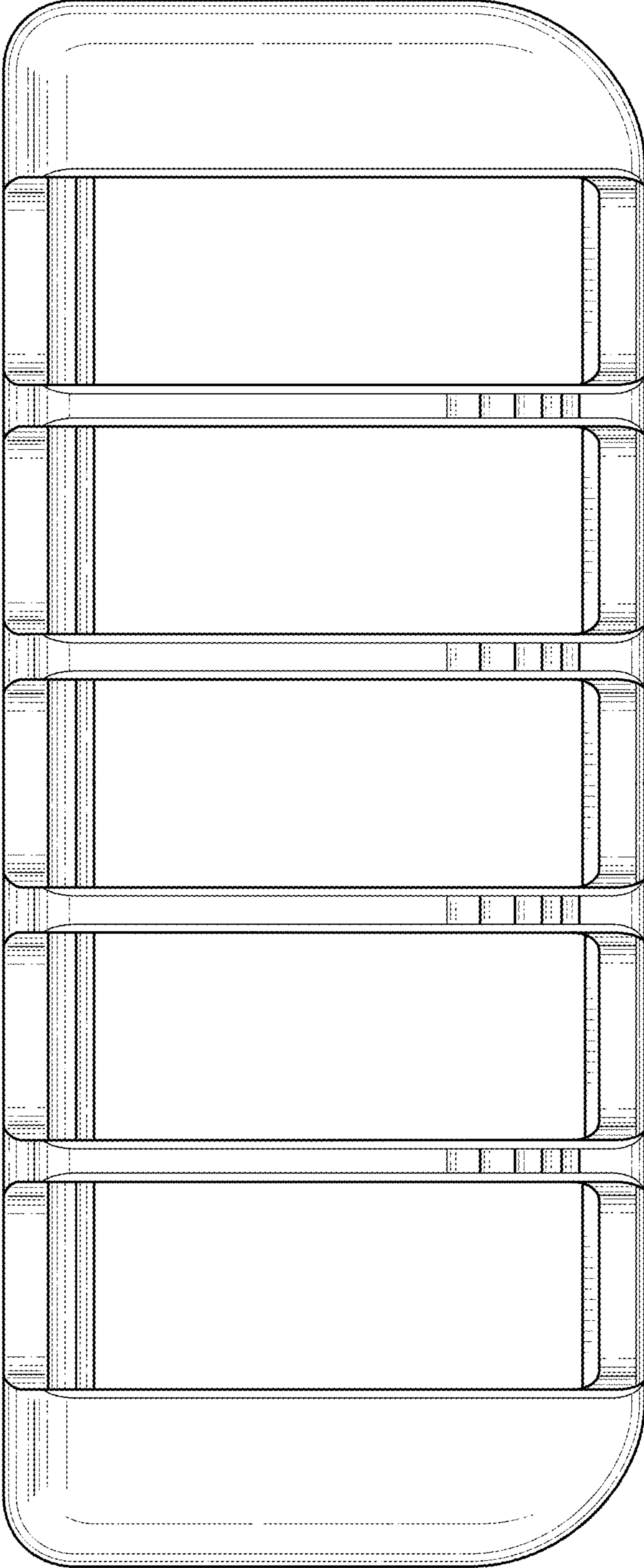


FIG. 3

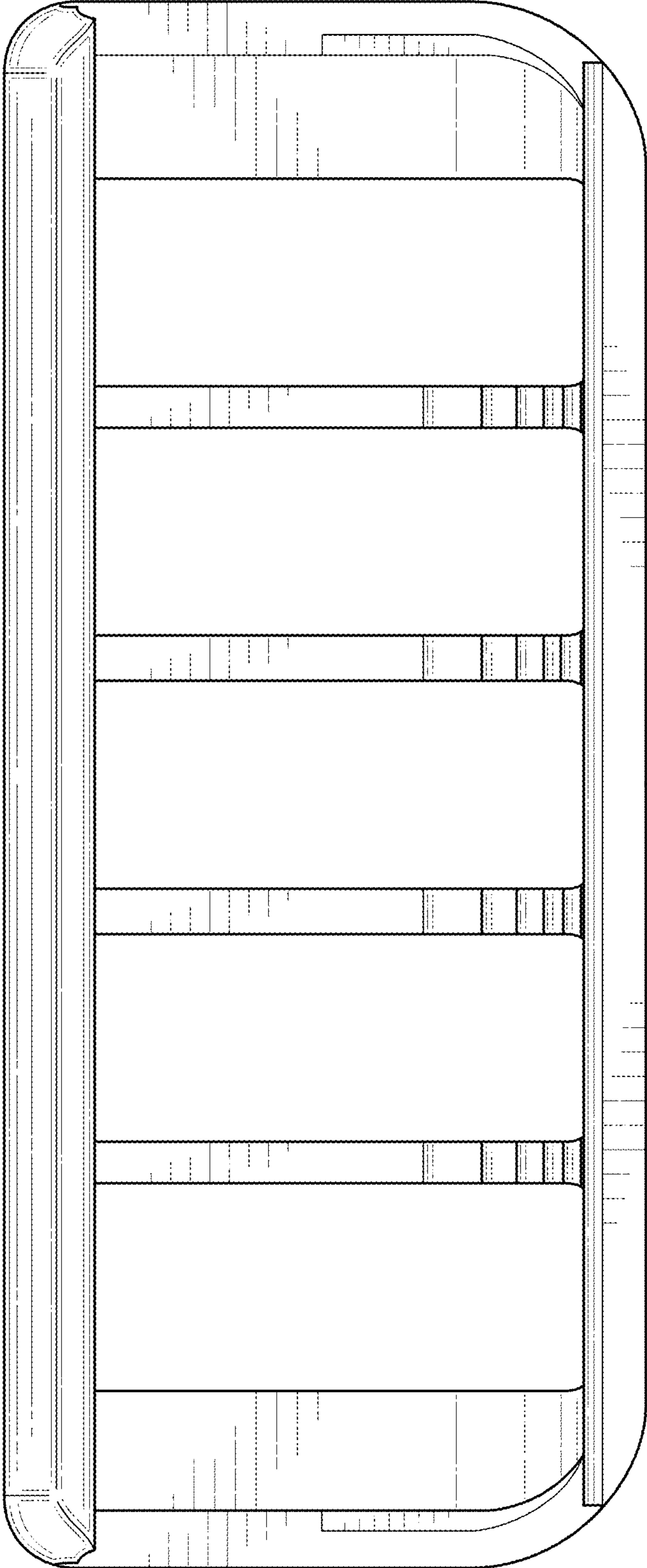


FIG. 4

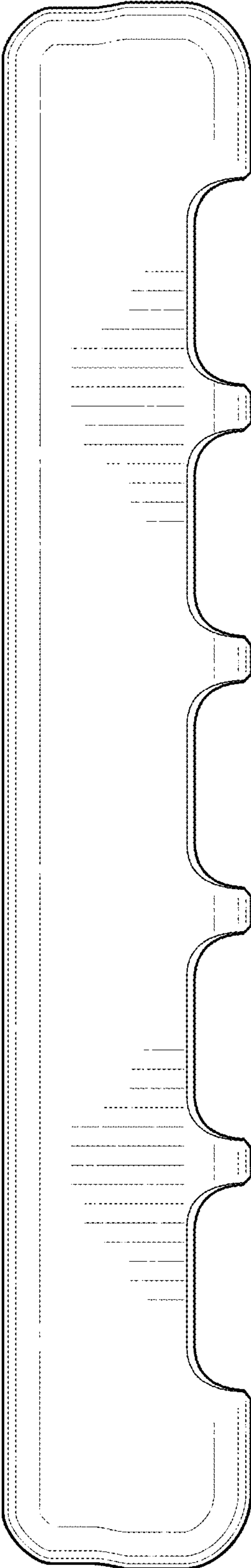


FIG. 5

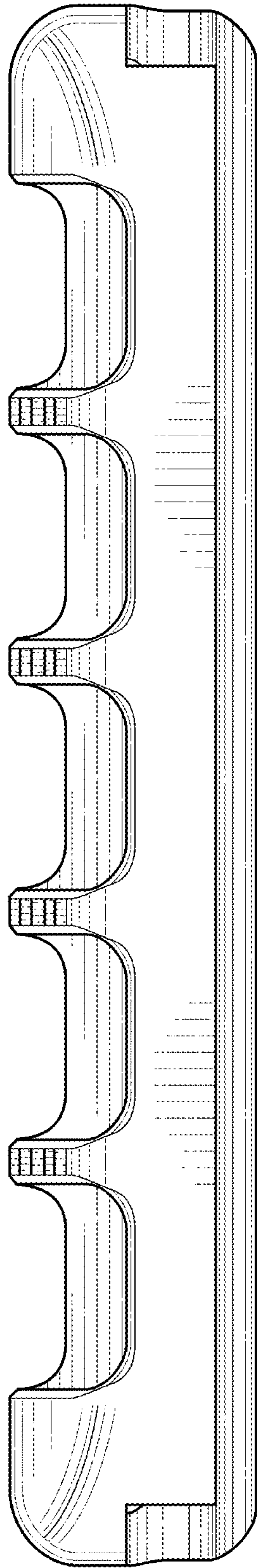


FIG. 6

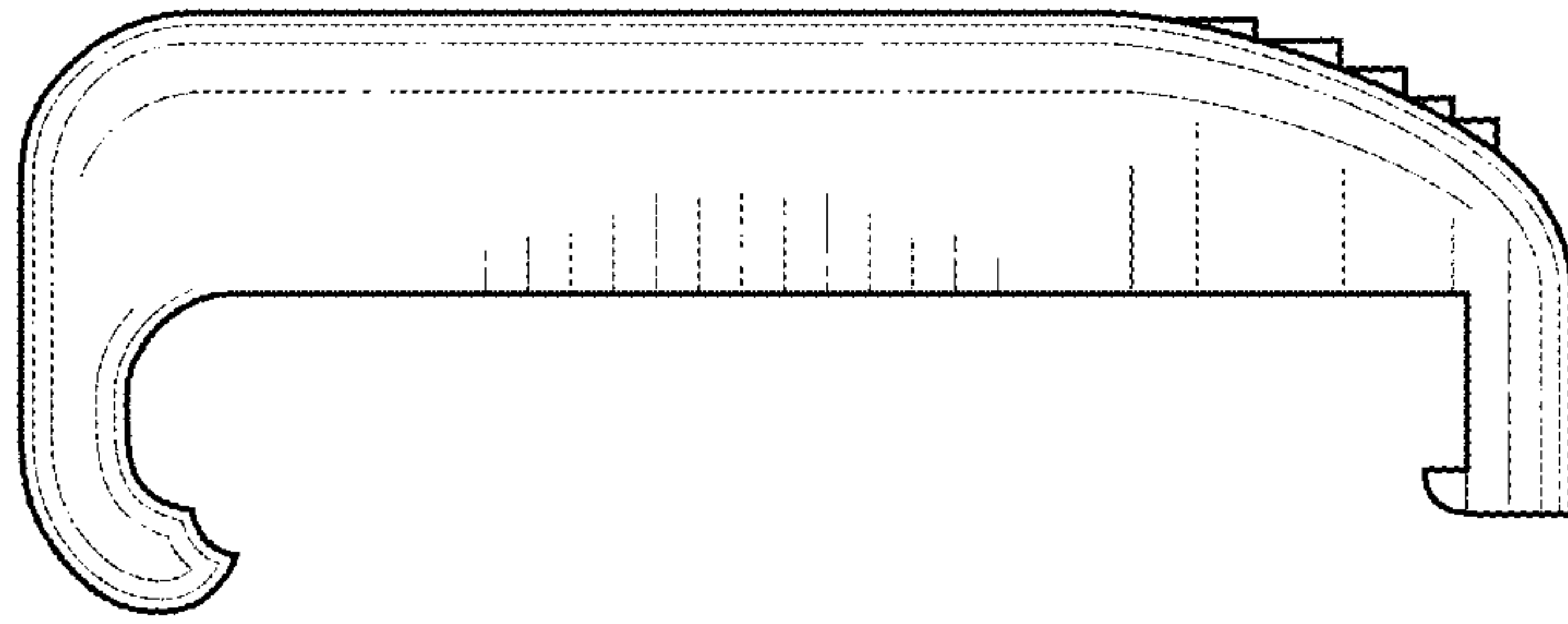


FIG. 8

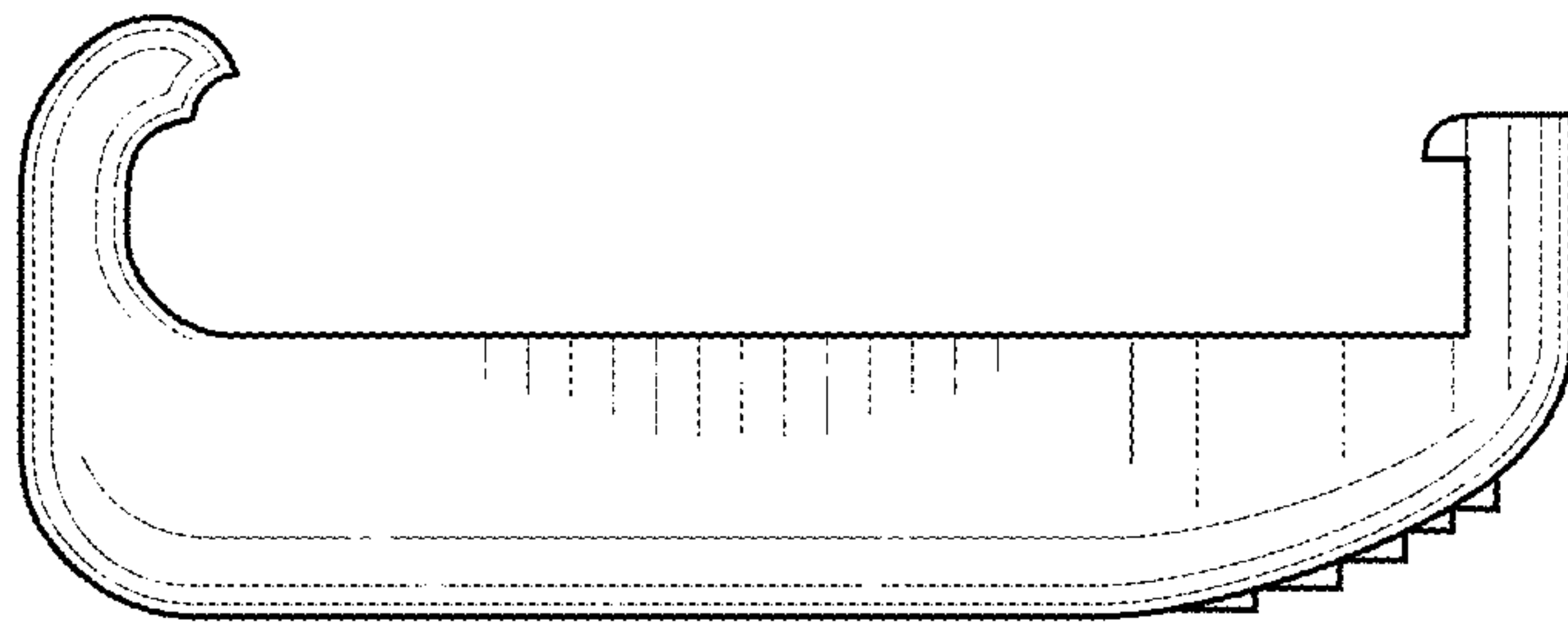


FIG. 7