



US00D790768S

(12) **United States Design Patent**
Dube

(10) **Patent No.:** **US D790,768 S**
(45) **Date of Patent:** **** Jun. 27, 2017**

- (54) **HANDLE FOR A HAIR TOOL**
- (71) Applicant: **WOW DESIGNS (PTY) LTD,**
Kwazulu-Natal (ZA)
- (72) Inventor: **Alexander Memory Dube,**
Kwazulu-Natal (ZA)
- (73) Assignee: **WOW DESIGNS (PTY) LTD (ZA)**
- (**) Term: **15 Years**
- (21) Appl. No.: **29/527,624**
- (22) Filed: **May 20, 2015**
- (30) **Foreign Application Priority Data**

Nov. 21, 2014 (ZA) A2014/01751

- (51) **LOC (10) Cl.** **28-03**
- (52) **U.S. Cl.**
USPC **D28/34; D28/31**
- (58) **Field of Classification Search**
USPC D28/7, 9-10, 21-34; D7/688-692;
D22/124
CPC A45D 27/44; A45D 24/00-24/46
See application file for complete search history.

(56) **References Cited**

U.S. PATENT DOCUMENTS

110,589 A * 12/1870 Read et al. A47J 37/0694
99/402
D283,650 S * 4/1986 Smith D28/25
D330,782 S * 11/1992 Balster D28/31
D337,855 S * 7/1993 McIntire 401/122
5,231,999 A * 8/1993 Schroettner A45D 24/34
132/137
5,349,971 A * 9/1994 Player A45D 24/36
132/213
5,365,834 A * 11/1994 Sidoti A47J 37/108
99/343

D361,468 S * 8/1995 Wilkes D7/361
D386,372 S * 11/1997 Weiss D28/25
5,913,314 A * 6/1999 Garrett A45D 19/02
132/112
D455,618 S * 4/2002 Richardson D7/667
D463,068 S * 9/2002 Corley D28/25
D573,755 S * 7/2008 Rennette D28/31
D609,399 S * 2/2010 McCarthy D28/21
D643,151 S * 8/2011 Limongi D28/7
D675,374 S * 1/2013 Bishop D28/31
D708,392 S * 7/2014 Rose-Washington .. A45D 24/00
D28/31
D728,856 S * 5/2015 Wang D28/23
D748,855 S * 2/2016 Hightower A45D 24/00
D28/21
2002/0069890 A1 * 6/2002 Schweickert A45D 19/0016
132/208
2003/0200619 A1 * 10/2003 Kelsey A45D 27/44
15/236.01

(Continued)

Primary Examiner — Jennifer Rivard

(74) *Attorney, Agent, or Firm* — Burns & Levinson, LLP;
Joseph M. Maraia

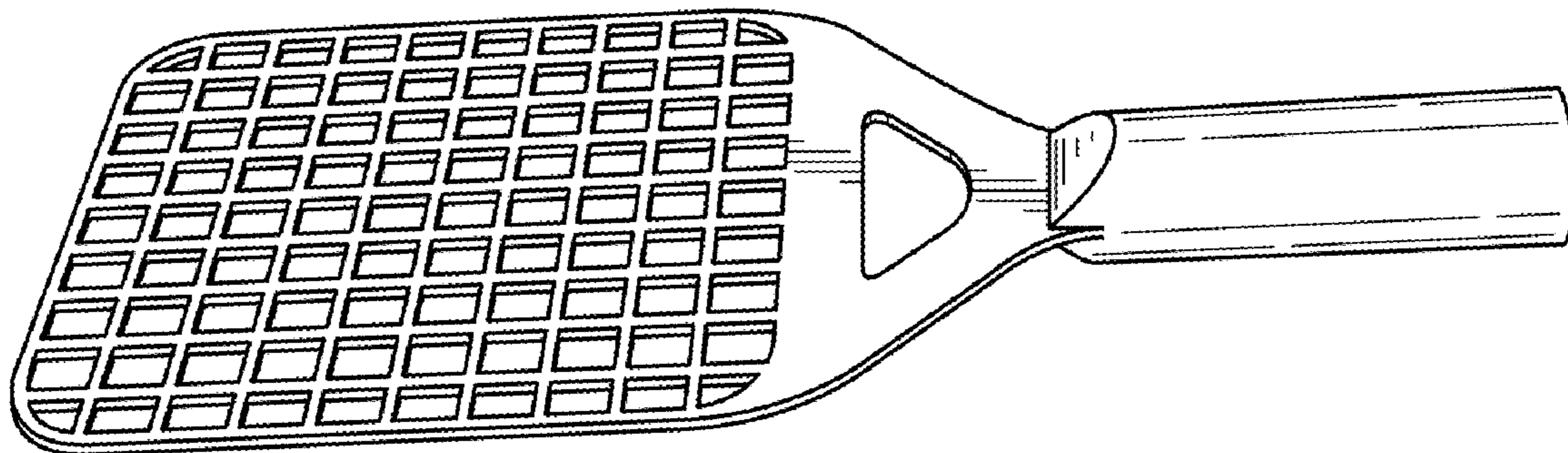
(57) **CLAIM**

The ornamental design for a handle for a hair tool, as shown and described.

DESCRIPTION

FIG. 1 shows a top/side perspective view of a handle for a hair tool according to my design;
FIG. 2 shows a top/side/rear perspective view of the handle for a hair tool of FIG. 1;
FIG. 3 shows a top view of the handle for a hair tool of FIGS. 1 and 2; and,
FIG. 4 is an additional top view of the handle for a hair tool of FIG. 3.
The broken line comb in FIG. 4 illustrates the environment of the handle for a hair tool and forms no part of the claimed design.

1 Claim, 4 Drawing Sheets



(56)

References Cited

U.S. PATENT DOCUMENTS

2008/0004635 A1* 1/2008 McMillan A45D 26/0014
606/134

* cited by examiner

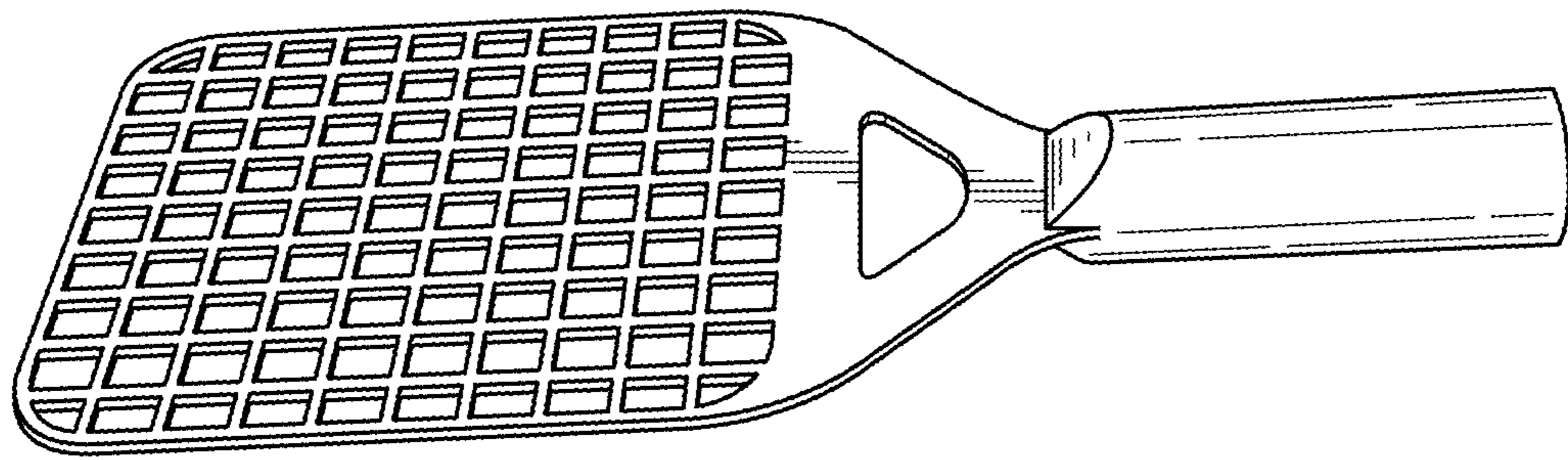


FIG. 1

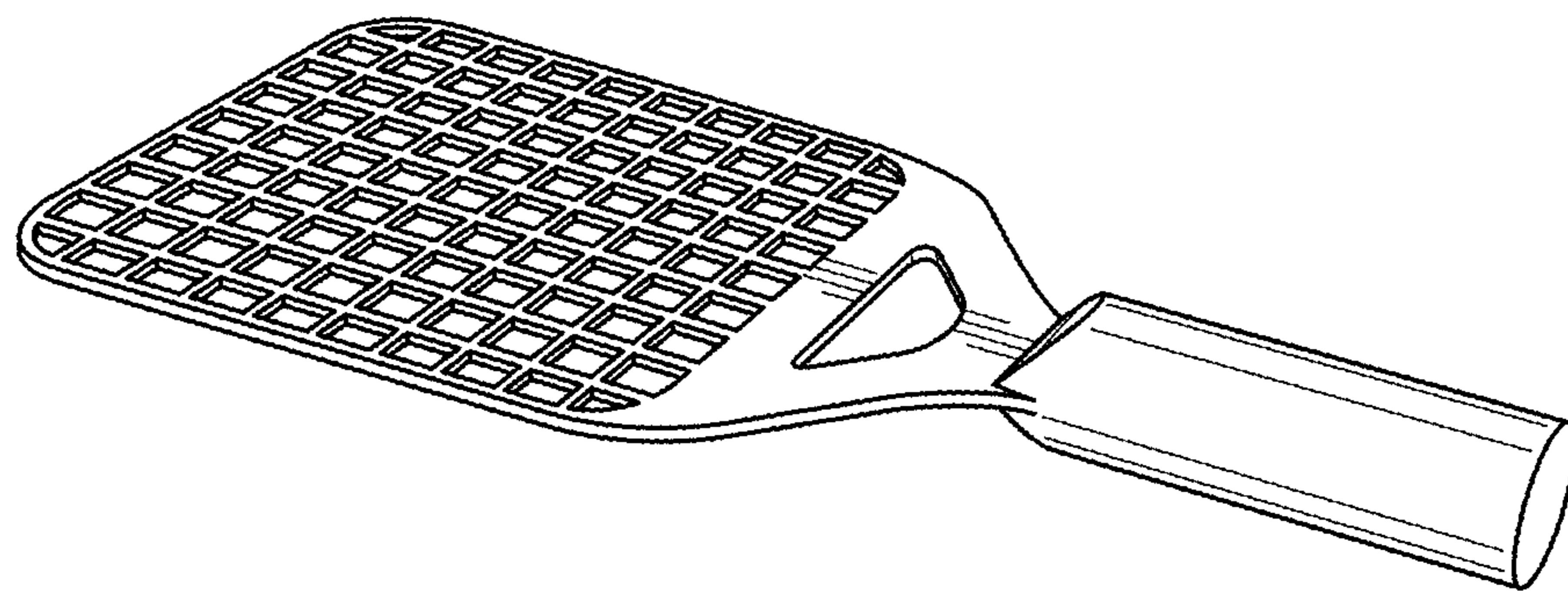


FIG. 2

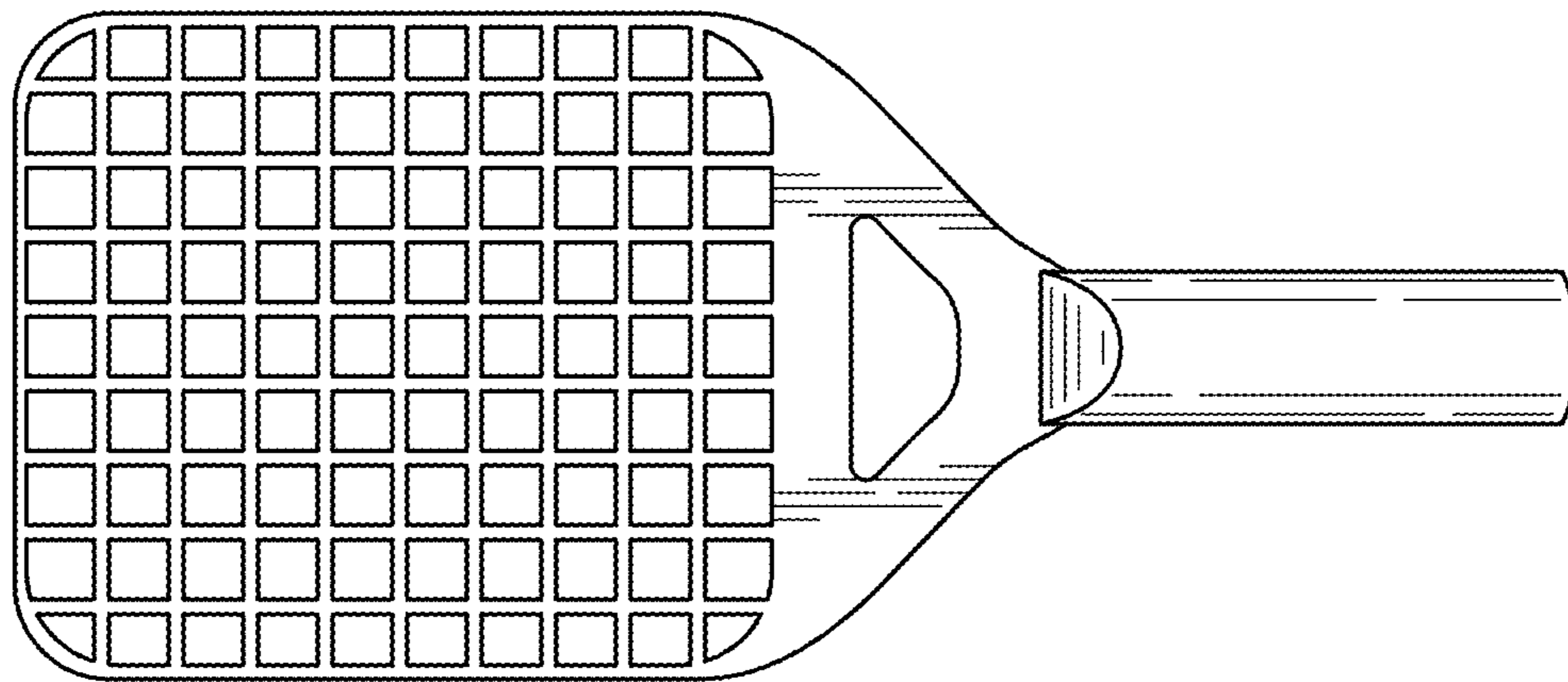


FIG. 3

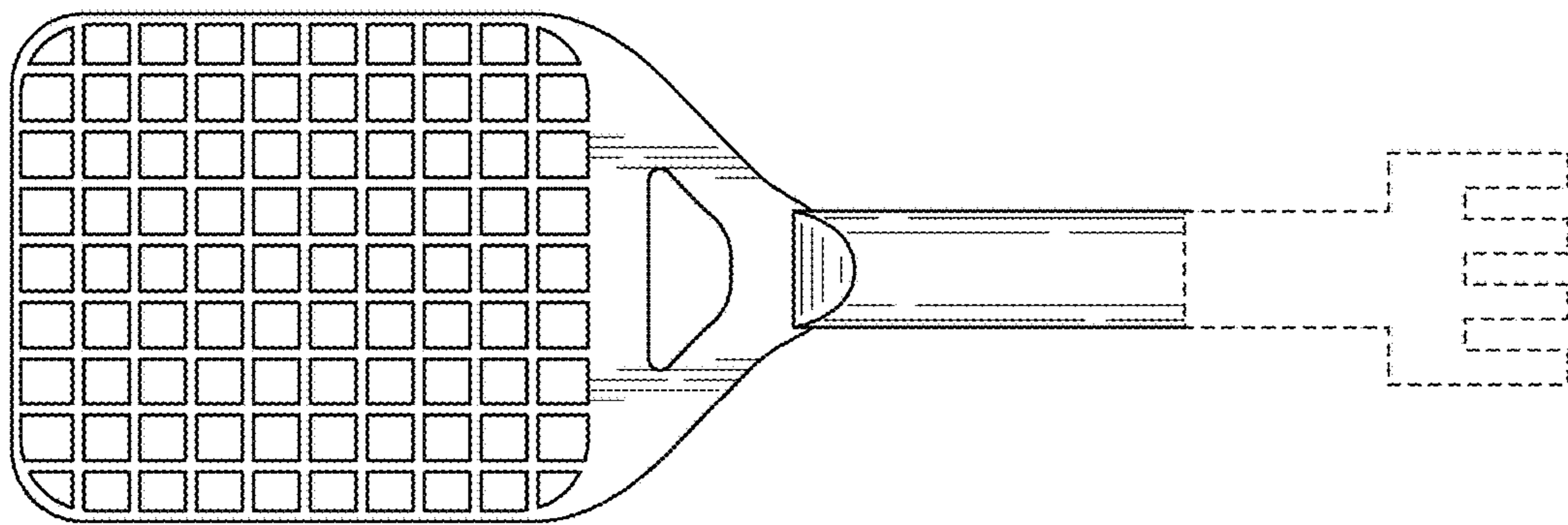


FIG. 4