



US00D790767S

(12) **United States Design Patent**
Rush et al.

(10) **Patent No.:** **US D790,767 S**
(45) **Date of Patent:** **** Jun. 27, 2017**

(54) **PLUG DEVICE**

(71) Applicant: **Moose Labs LLC**, Marina del Rey, CA
(US)

(72) Inventors: **Daniel Rush**, Marina del Rey, CA
(US); **Jason Rush**, Marina del Rey, CA
(US)

(73) Assignee: **Moose Labs LLC**, Marina del Rey, CA
(US)

(**) Term: **15 Years**

(21) Appl. No.: **29/551,158**

(22) Filed: **Jan. 11, 2016**

(51) **LOC (10) Cl.** **27-02**

(52) **U.S. Cl.**
USPC **D27/168**

(58) **Field of Classification Search**
USPC D7/584, 585; D9/500, 502; D11/143,
D11/144, 146, 152; D24/110.5; D26/2;
D27/100, 101, 106, 143, 152, 172, 183,
D27/187, 189, 190, 193, 194, 162-171;
131/220-222, 126, 173, 174, 194,
131/329-330

CPC A24F 1/02; A24F 1/04; A24F 1/06; A24F
1/08; A24F 1/10; A24F 1/12; A24F 1/14;
A24F 1/22; A24F 1/28; A24F 1/30; A24F
9/10; A24F 47/002; A24F 47/00

See application file for complete search history.

(56) **References Cited**

U.S. PATENT DOCUMENTS

D200,023 S * 1/1965 Porter D9/449
D267,353 S * 12/1982 Sher D27/162

D390,462 S * 2/1998 Mao D9/435
D618,389 S * 6/2010 Masri D27/162
D675,926 S * 2/2013 Tovar D9/537
D682,621 S * 5/2013 Penttinen D7/524
8,499,490 B2 * 8/2013 Whitten B01D 46/0023
210/510.1
D710,052 S * 7/2014 Lanca D27/162
D717,589 S * 11/2014 Harshman D7/392.1
D719,827 S * 12/2014 Duran D9/447
D723,917 S * 3/2015 Koffel D9/447
D724,783 S * 3/2015 Liu D27/162
D729,443 S * 5/2015 Mehio D27/162
D749,416 S * 2/2016 Herbst D9/447
D752,435 S * 3/2016 Willows D9/447
D752,976 S * 4/2016 Koffel D9/447
D776,564 S * 1/2017 Seth-Andersson D11/153

* cited by examiner

Primary Examiner — Eric Goodman

Assistant Examiner — Jennifer Wright

(74) *Attorney, Agent, or Firm* — Seth D. Levy; Nixon
Peabody LLP

(57) **CLAIM**

The ornamental design for a plug device, as shown.

DESCRIPTION

FIG. 1 is a perspective view of a plug device of the present invention;

FIG. 2 is a front view thereof;

FIG. 3 is a rear view thereof;

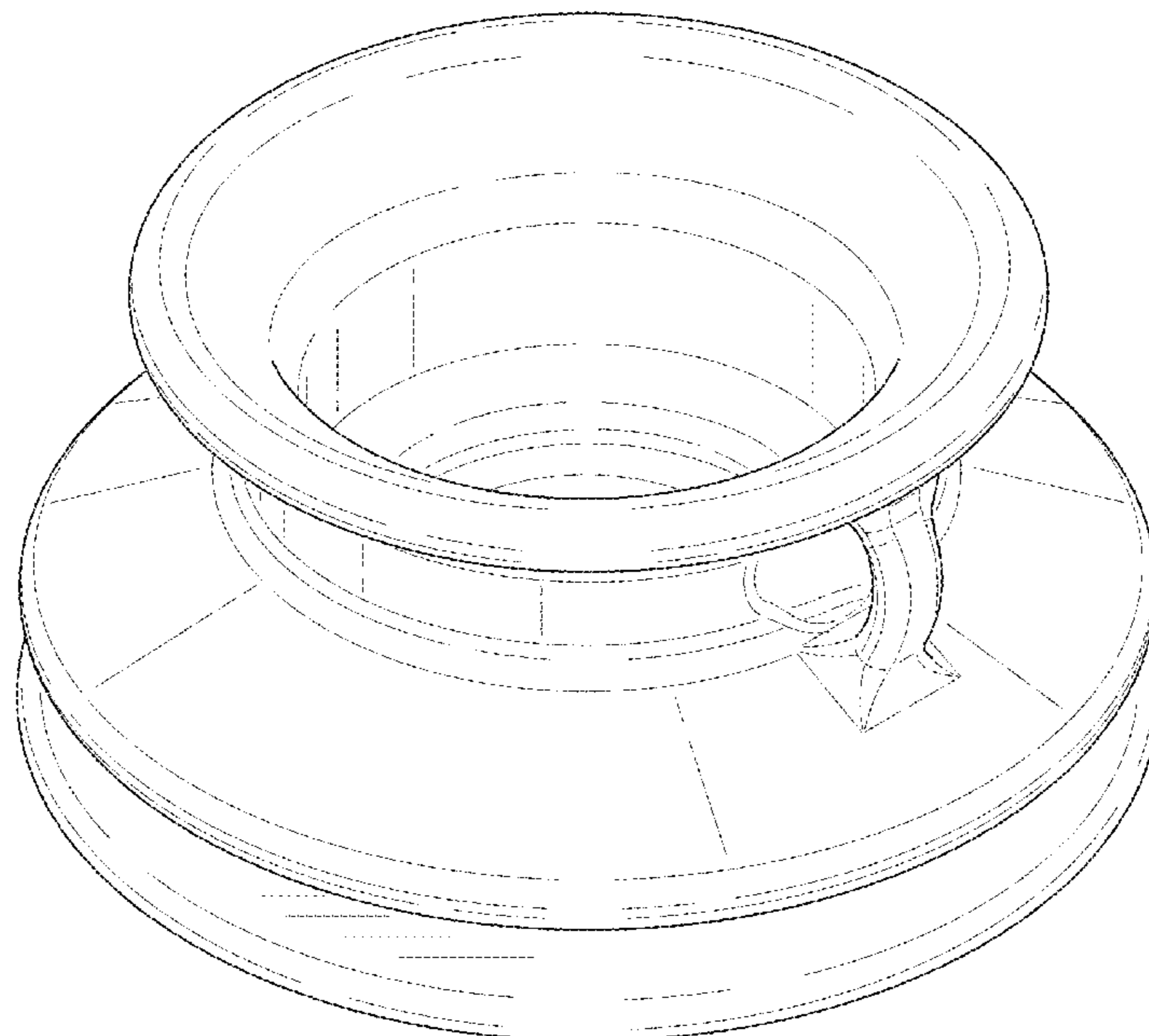
FIG. 4 is a left side view thereof;

FIG. 5 is a top view thereof;

FIG. 6 is a bottom view thereof; and,

FIG. 7 is a section view thereof with reference to the cross-section arrows depicted in FIG. 5.

1 Claim, 6 Drawing Sheets



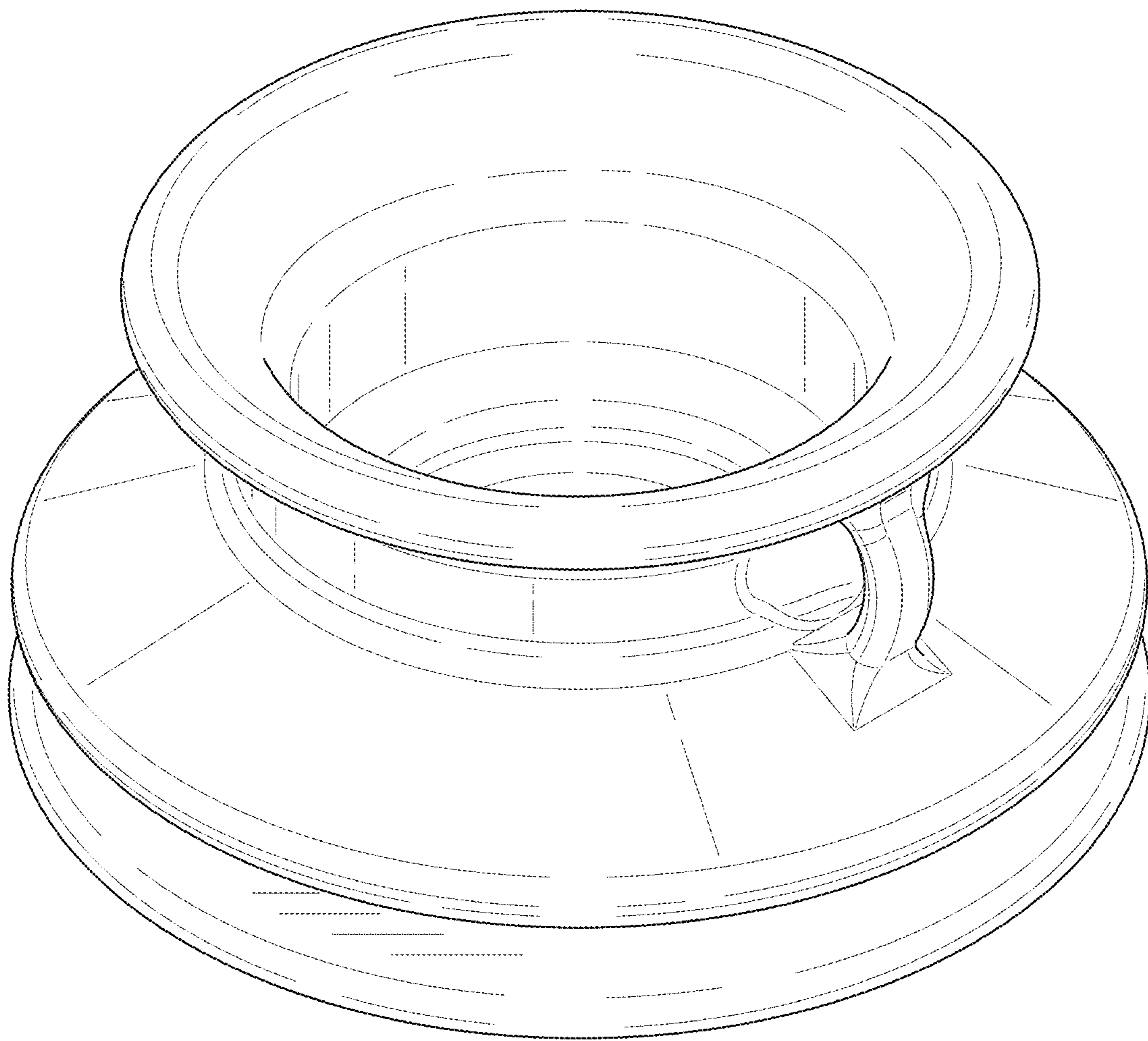


FIG. 1

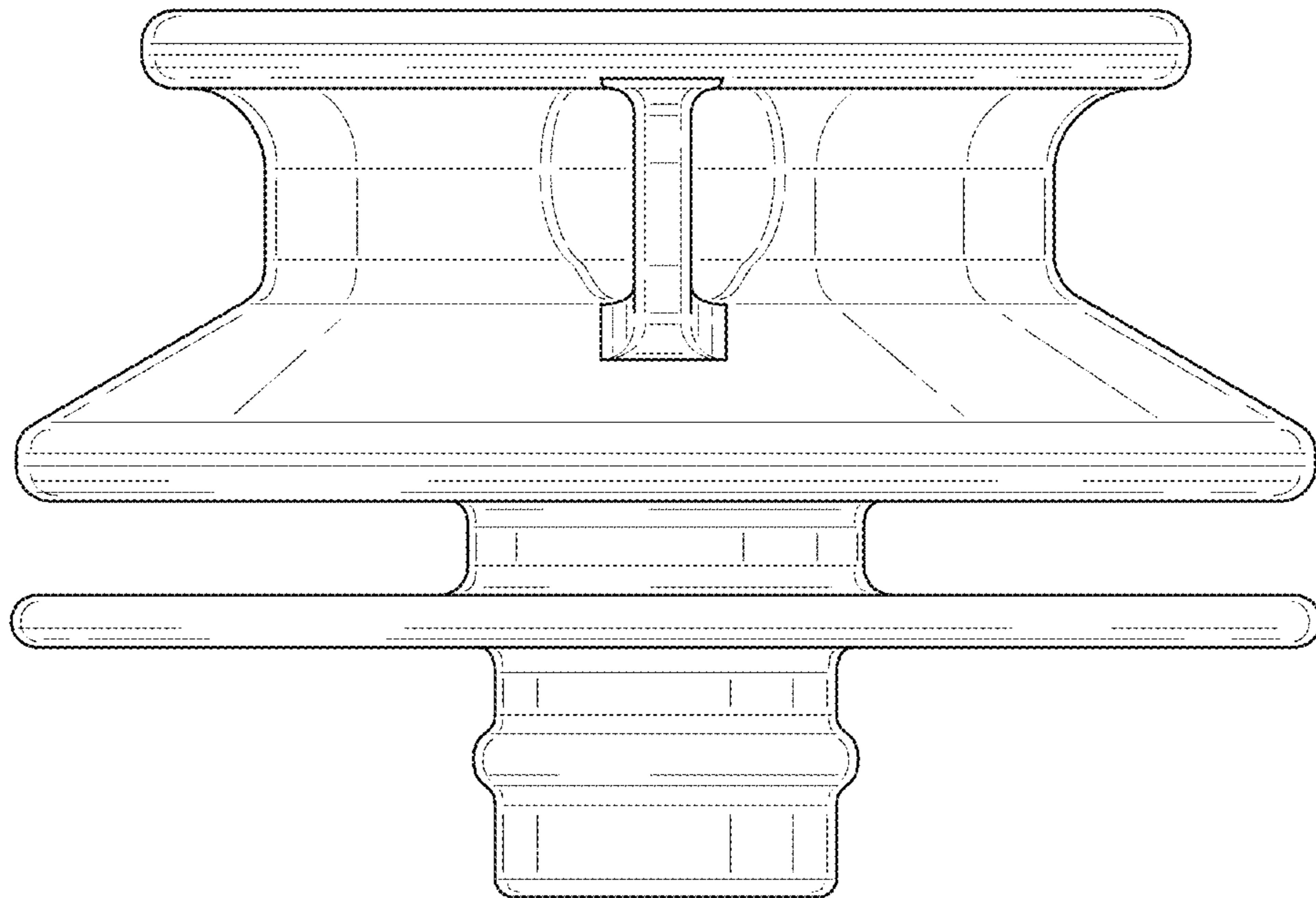


FIG. 2

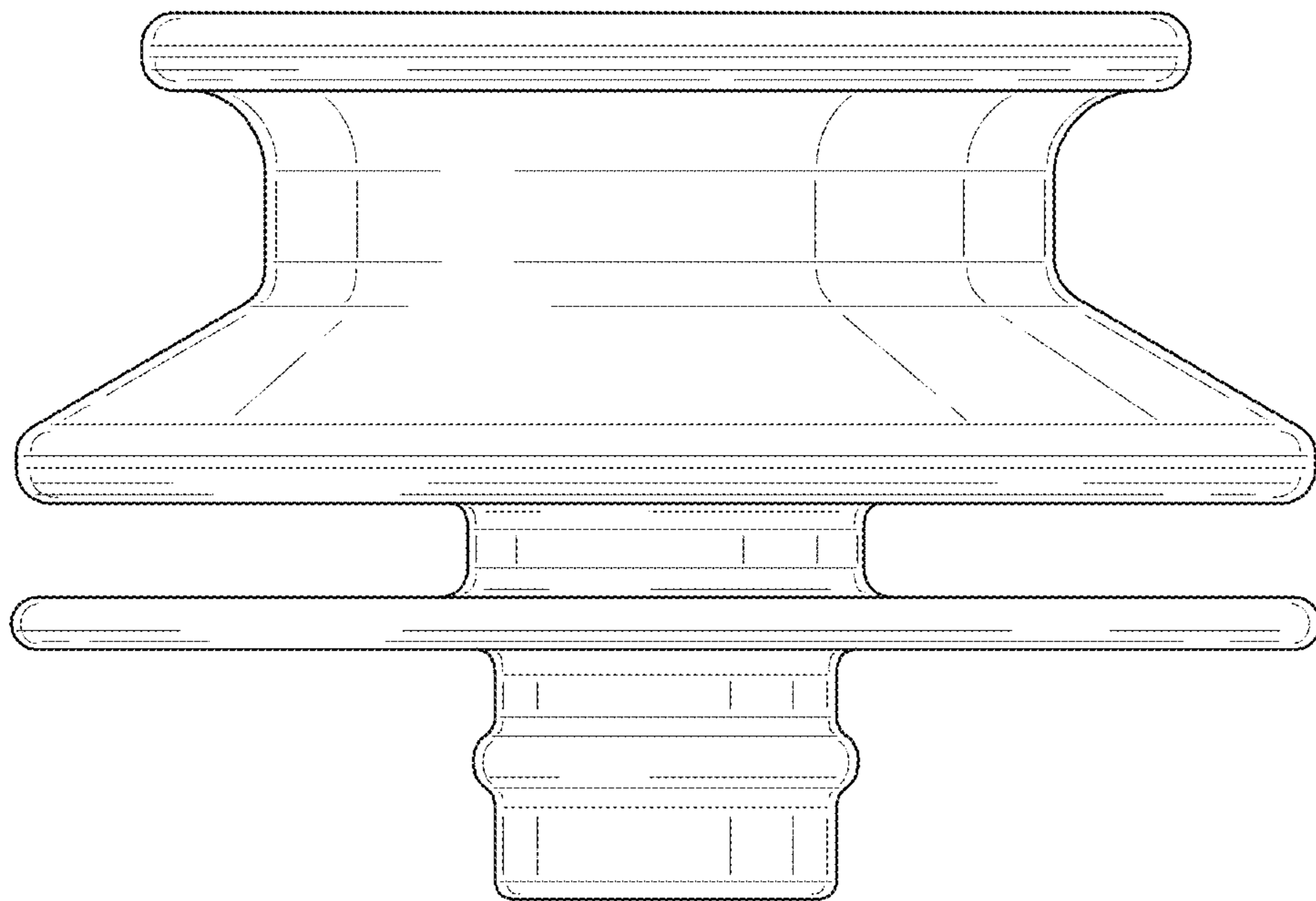


FIG. 3

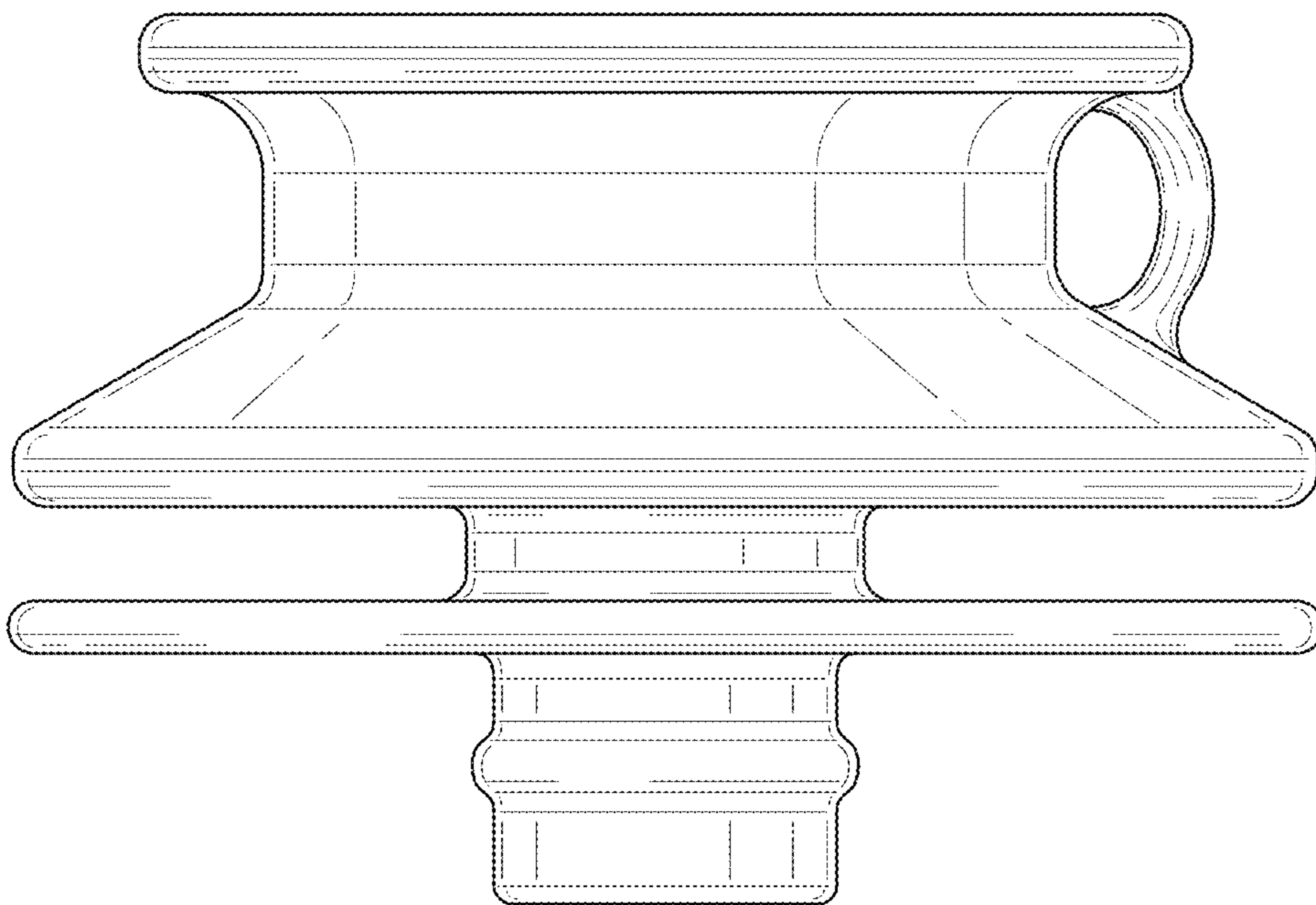


FIG. 4

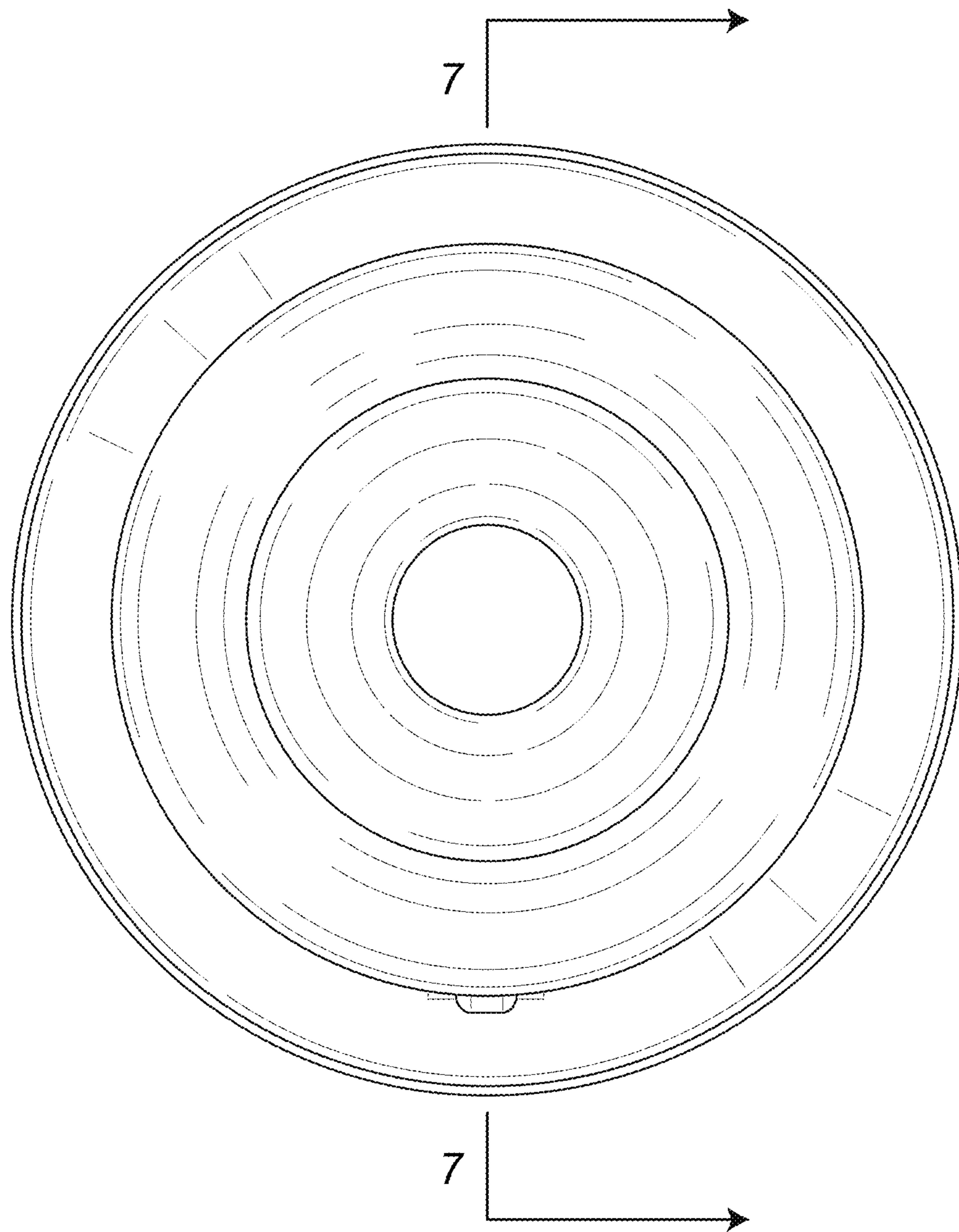


FIG. 5



FIG. 6

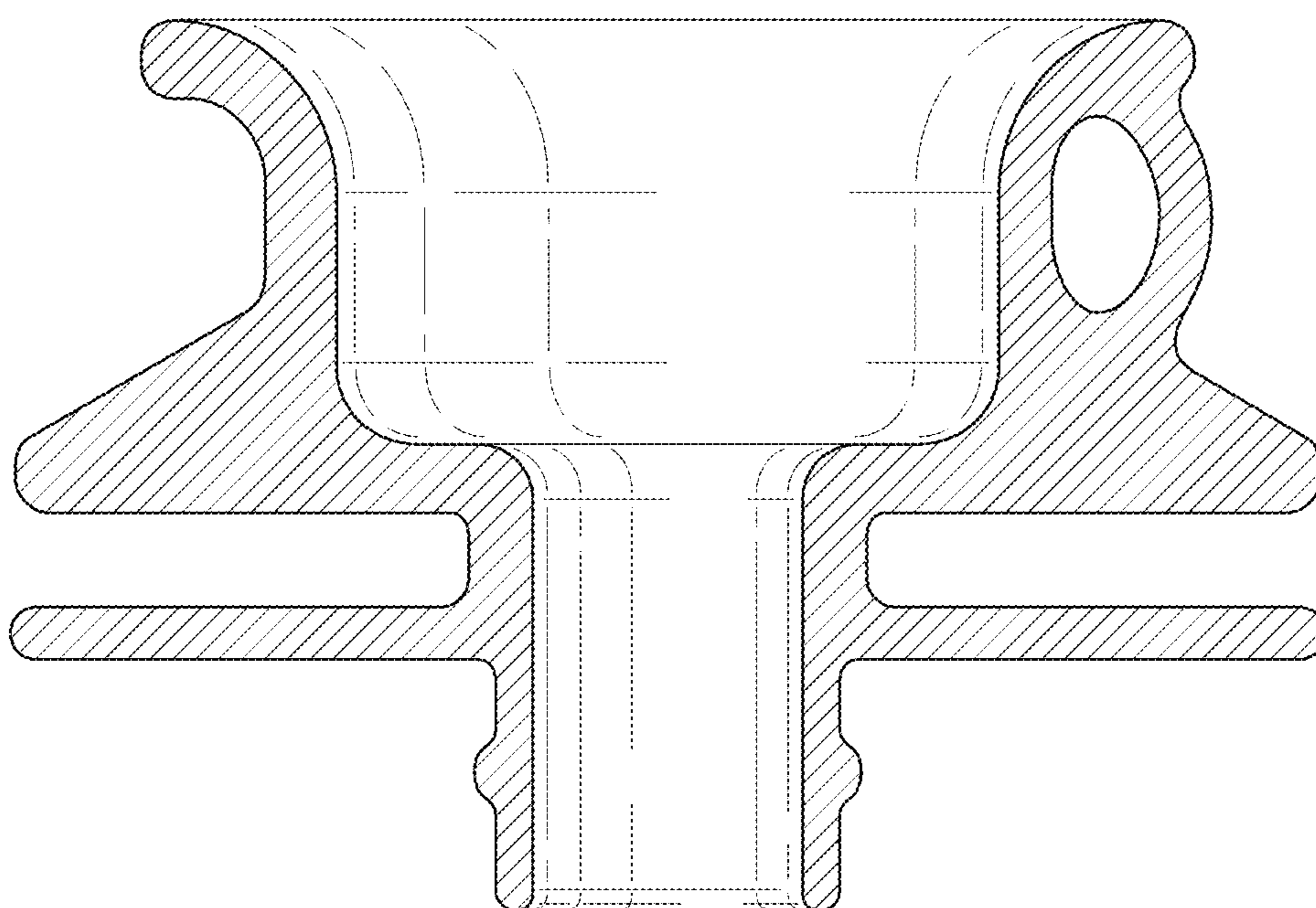


FIG. 7