

US00D790764S

(12) **United States Design Patent**
Hood et al.

(10) **Patent No.:** **US D790,764 S**
(45) **Date of Patent:** **** Jun. 27, 2017**

- (54) **SURGICAL LIGHT COVER HAVING INTEGRATED HANDLE COVER**
- (71) Applicants: **Frances W. Hood**, Birmingham, AL (US); **Allan G. Hood**, Birmingham, AL (US)
- (72) Inventors: **Frances W. Hood**, Birmingham, AL (US); **Allan G. Hood**, Birmingham, AL (US)

- 6,138,422 A * 10/2000 Wall E04H 12/2292 52/300
- D437,957 S * 2/2001 Borders D26/65
- 6,285,902 B1 9/2001 Kienzle, III et al.
- 6,290,645 B1 * 9/2001 Goldfarb A61B 90/36 362/804
- D568,528 S 5/2008 Hood
- D684,306 S * 6/2013 Park D26/118
- D693,046 S * 11/2013 Hokazono D26/89
- D698,965 S * 2/2014 Helms D26/67
- D700,737 S * 3/2014 Campagna D26/142

(Continued)

- (**) Term: **15 Years**
- (21) Appl. No.: **29/550,517**

Primary Examiner — George D Kirschbaum
Assistant Examiner — Natasha Vujcic
 (74) *Attorney, Agent, or Firm* — Bush Intellectual Property Law; Kenneth M. Bush

- (22) Filed: **Jan. 5, 2016**
- (51) **LOC (10) Cl.** **26-99**
- (52) **U.S. Cl.**
USPC **D26/142**
- (58) **Field of Classification Search**
USPC D26/76, 78, 79, 80, 81, 82, 83, 85, 88, D26/90, 93, 110, 118, 119, 120, 121, 122, D26/138, 140-142
CPC F21S 4/00; F21S 4/003; F21S 4/006; F21S 4/007; F21S 4/008; F21S 6/004; F21S 6/005; F21K 9/54; F21V 15/01; F21V 15/013
See application file for complete search history.

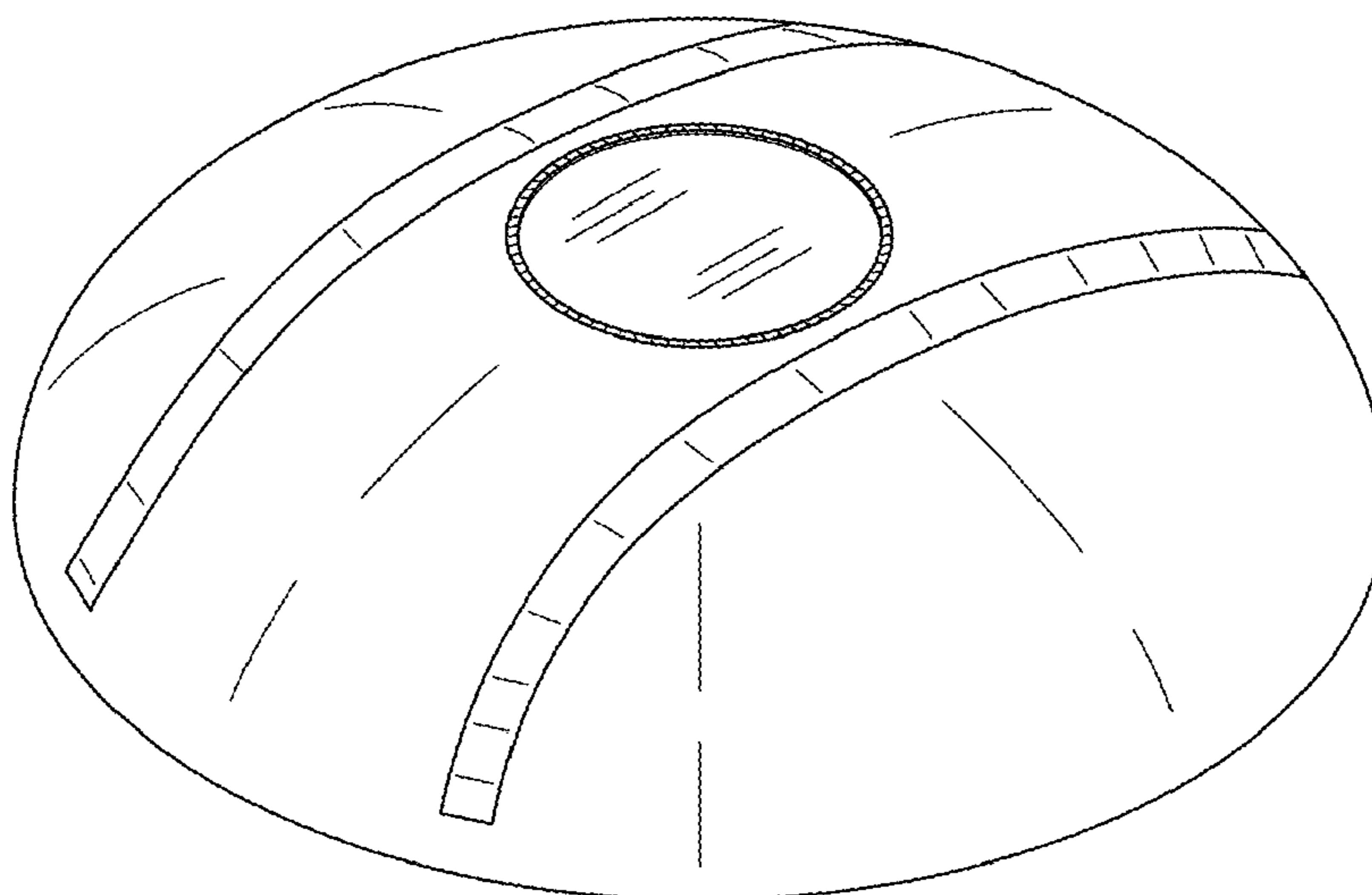
(57) **CLAIM**
 We claim the ornamental design for a surgical light cover having integrated handle cover, as shown and described.

DESCRIPTION

FIG. 1 is a top right front perspective view of a surgical light cover having integrated handle cover showing our new design;
 FIG. 2 is a bottom right front perspective view thereof;
 FIG. 3 is a top plan view thereof;
 FIG. 4 is a bottom plan view thereof;
 FIG. 5 is a front elevation view thereof, wherein the rear elevation view is a mirror image thereof; and,
 FIG. 6 is a right side elevation view thereof, wherein the left side elevation view is a mirror image thereof.
 The ornamental design for a flexible surgical light cover having adjustable straps for securing the light cover to a surgical light fixture and an integrated handle cover for covering a handle of the surgical light fixture.
 The broken lines in FIG. 5 illustrate portions of a surgical light fixture which form no part of the claimed design.

- (56) **References Cited**
 U.S. PATENT DOCUMENTS
 3,698,791 A 10/1972 Walchle et al.
 4,594,645 A 6/1986 Terashita
 D297,056 S * 8/1988 Sestak D26/65
 4,799,779 A 1/1989 Mesmer
 4,975,826 A 12/1990 Bell
 5,122,904 A 6/1992 Fujiwara et al.
 5,154,503 A 10/1992 Sternsher
 5,490,524 A 2/1996 Williams et al.
 5,803,905 A 9/1998 Allred et al.
 D426,339 S * 6/2000 Chen D26/142

1 Claim, 3 Drawing Sheets



(56)

References Cited

U.S. PATENT DOCUMENTS

8,771,182 B2 *	7/2014	Kusner	F21S 48/155
				362/804
D720,880 S *	1/2015	Schuyler	D26/142
2009/0161339 A1	6/2009	Gonzalez		
2012/0098408 A1 *	4/2012	Gong	F21K 9/00
				313/317
2013/0167847 A1	7/2013	Rogers		

* cited by examiner

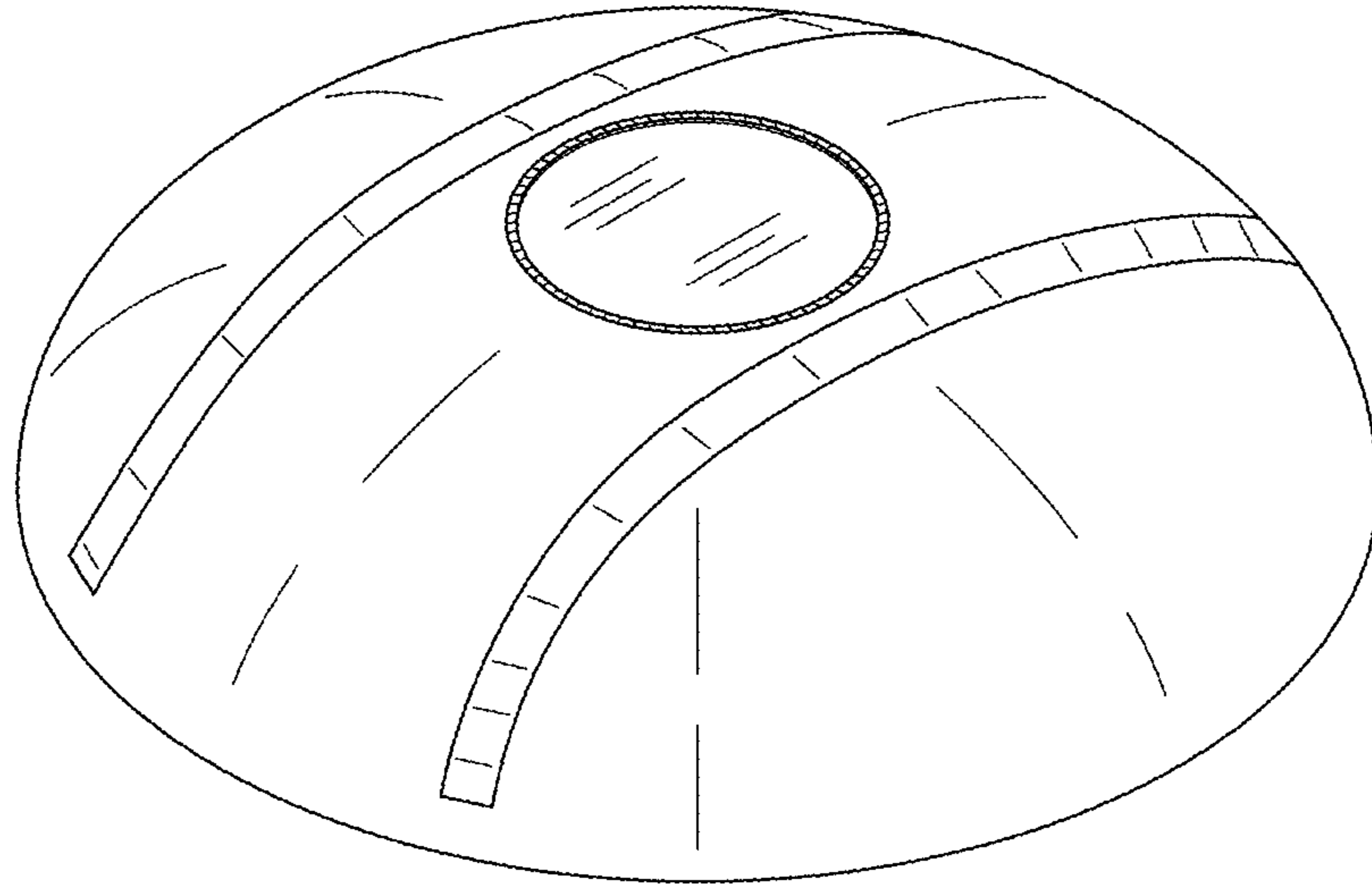


FIG. 1

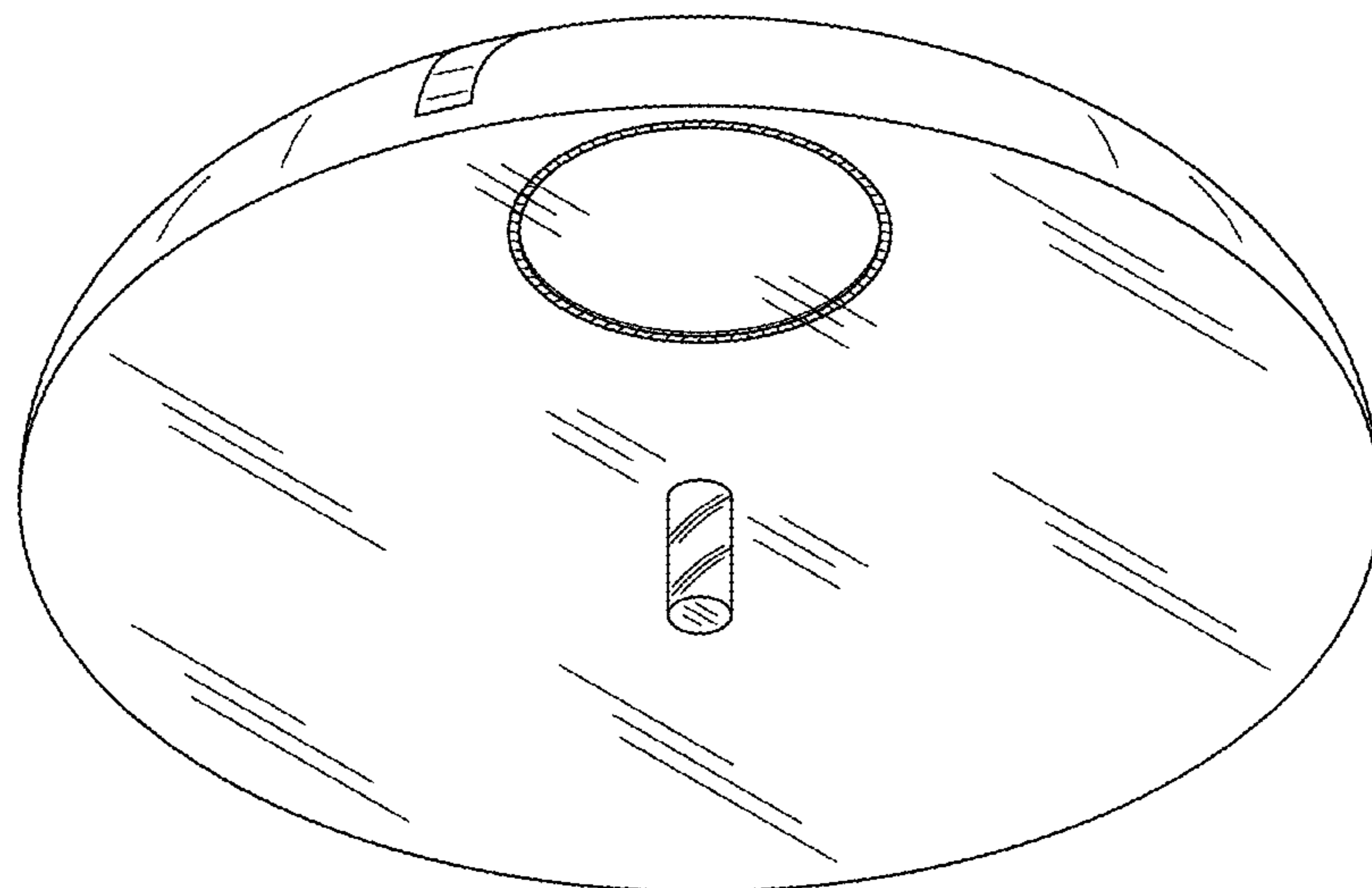


FIG. 2

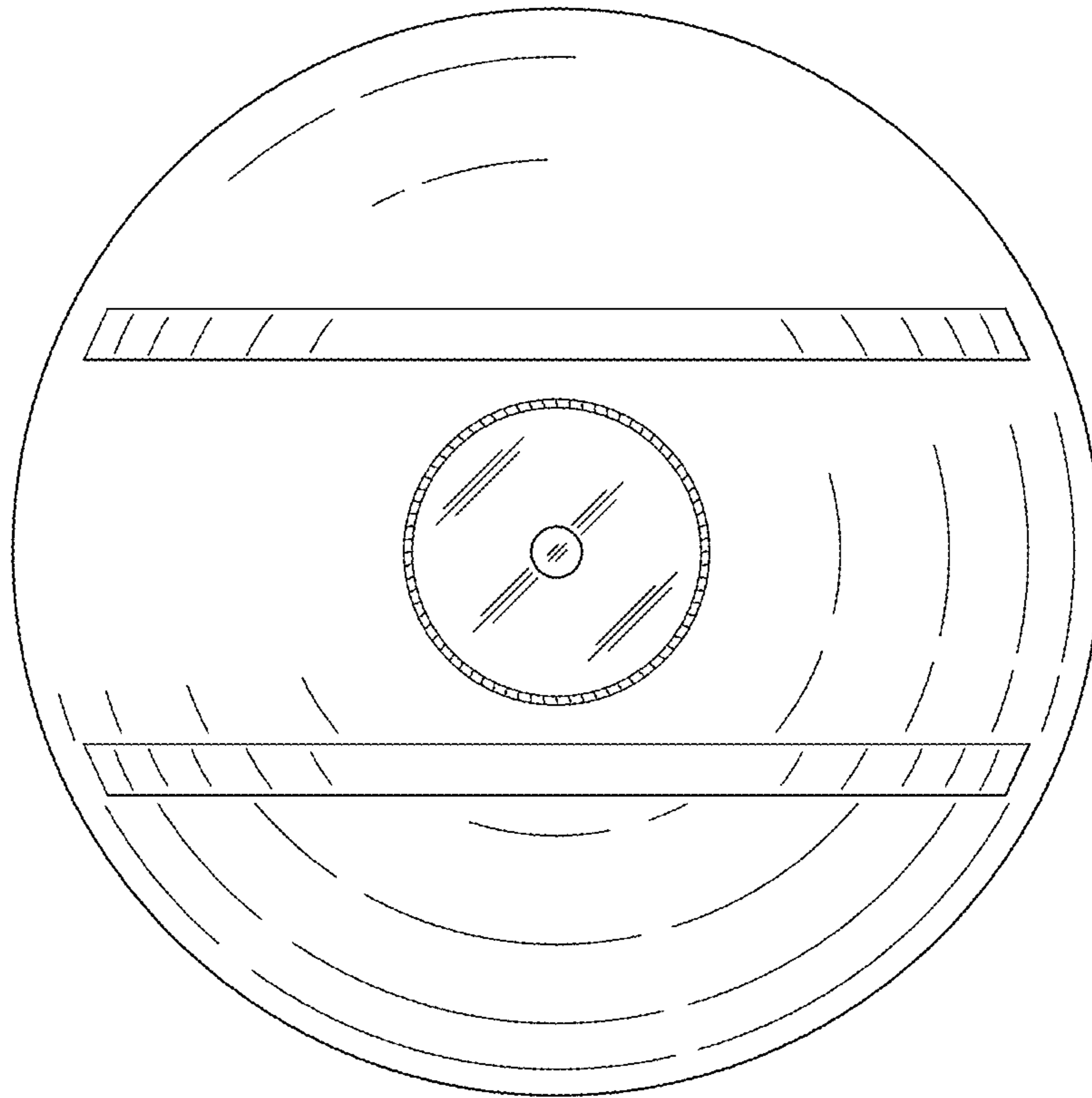


FIG. 3

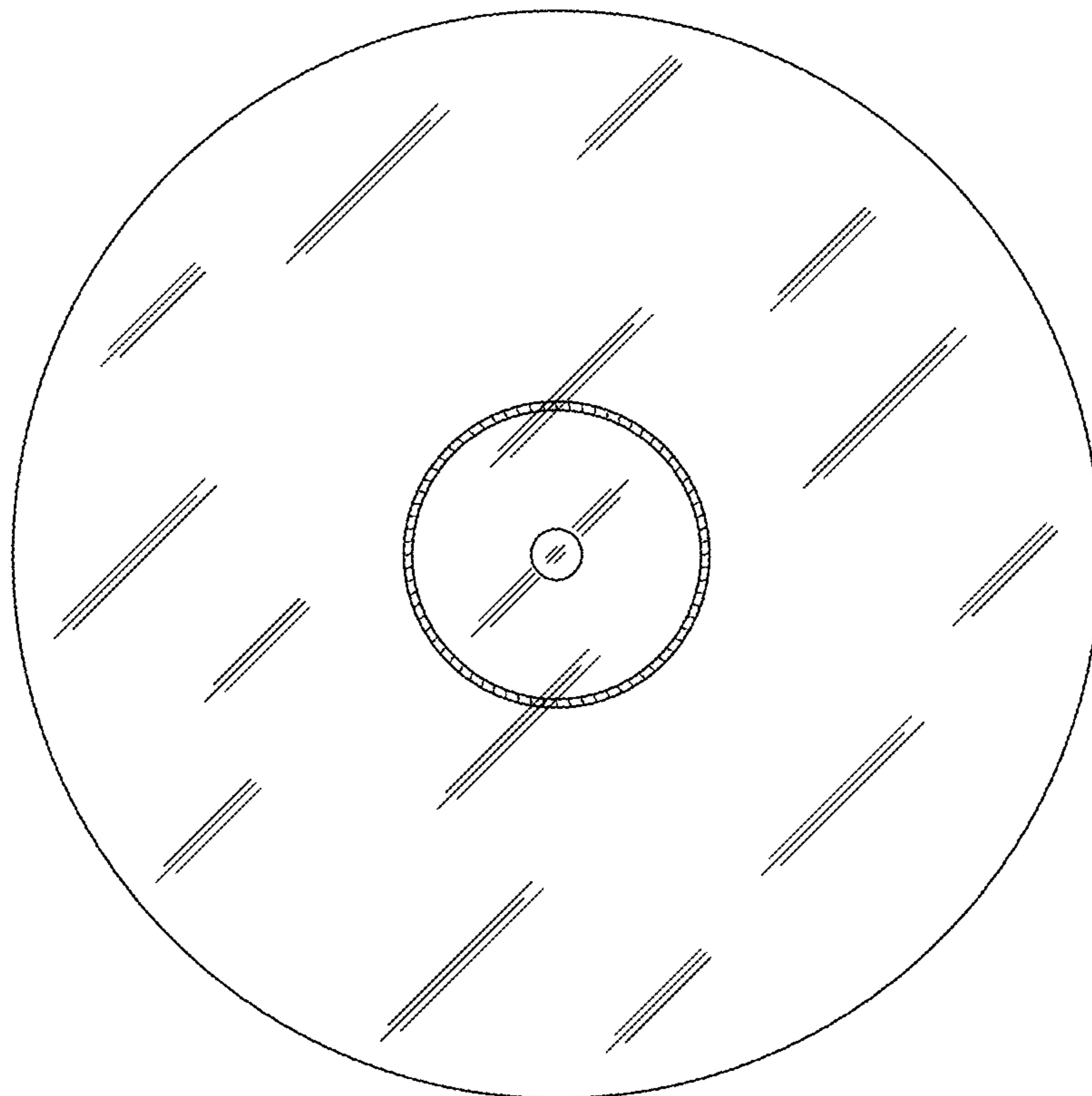


FIG. 4

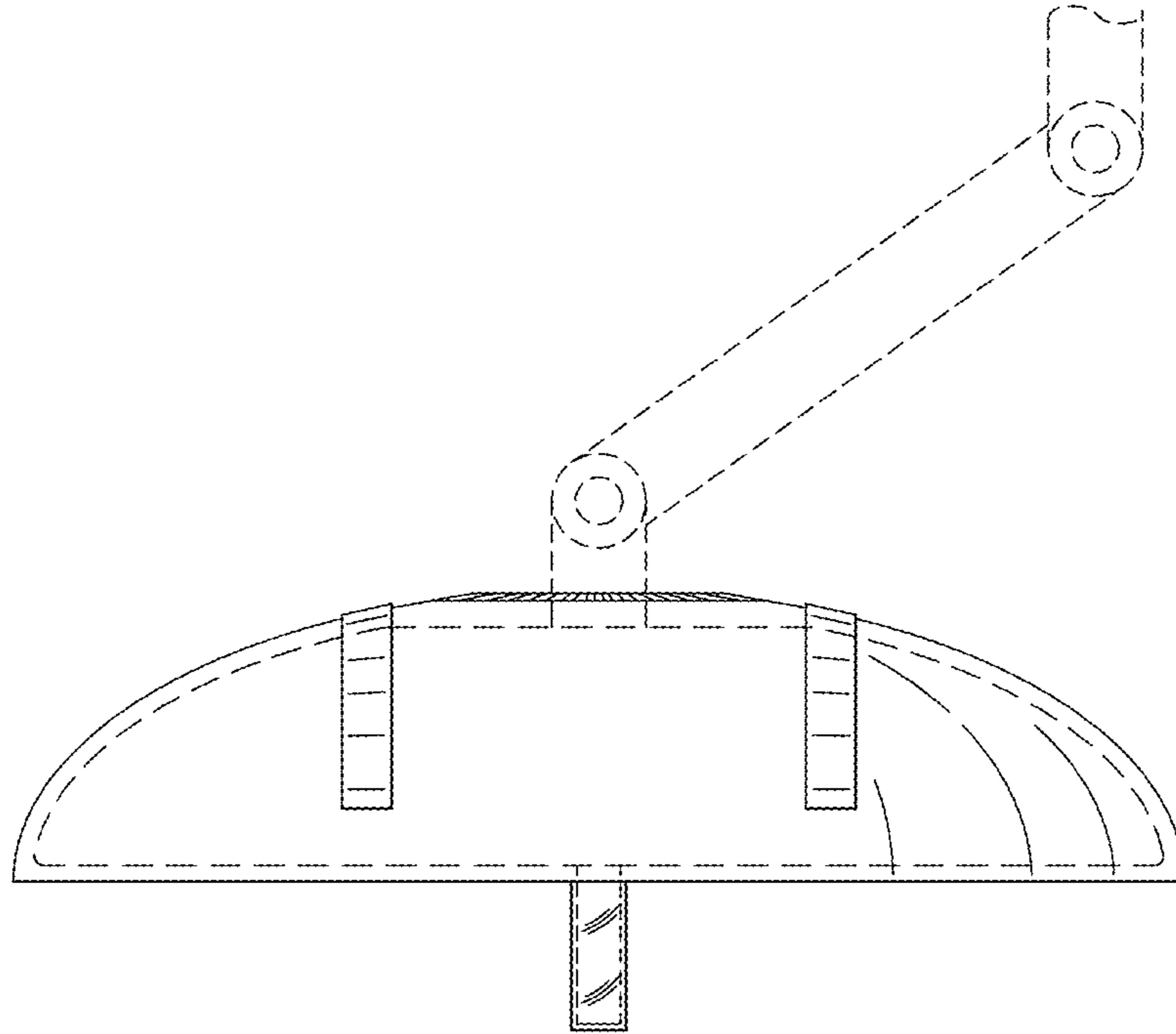


FIG. 5

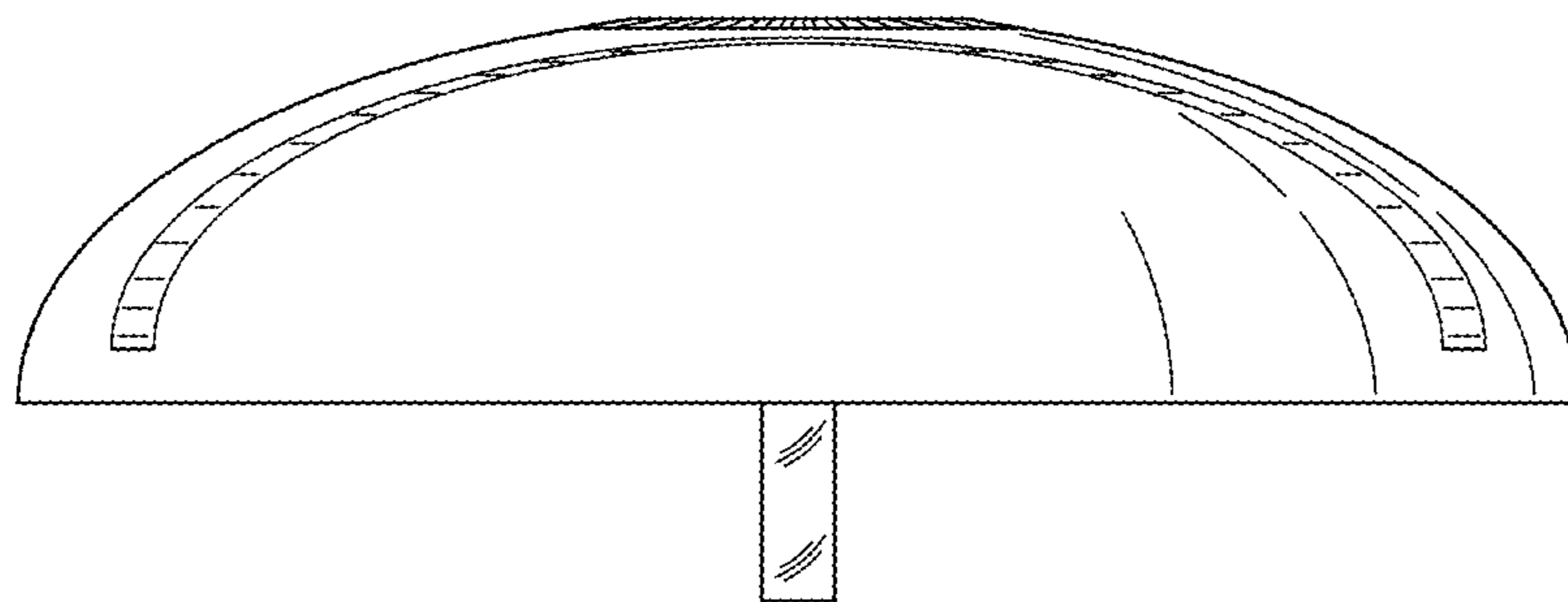


FIG. 6