



US00D790763S

(12) **United States Design Patent**  
**Lai**

(10) **Patent No.:** **US D790,763 S**

(45) **Date of Patent:** **\*\* Jun. 27, 2017**

(54) **EXTERIOR SURFACE CONFIGURATION OF  
A VEHICLE HEADLIGHT REFLECTOR**

(71) Applicant: **Ching-Tsung Lai**, Tainan (TW)

(72) Inventor: **Ching-Tsung Lai**, Tainan (TW)

(\*\*) Term: **15 Years**

(21) Appl. No.: **29/557,843**

(22) Filed: **Mar. 12, 2016**

(51) **LOC (10) Cl.** ..... **26-99**

(52) **U.S. Cl.**  
USPC ..... **D26/139**

(58) **Field of Classification Search**  
USPC ..... D26/28-36, 139; 362/80-83, 267-269,  
362/459-468, 475-478, 485-487  
CPC ..... F21S 48/00; F21S 48/10; F21S 48/115;  
F21S 48/225; F21S 48/2268; F21V 21/04  
See application file for complete search history.

(56) **References Cited**

**U.S. PATENT DOCUMENTS**

D499,202 S \* 11/2004 Tsai ..... D26/139  
D513,644 S \* 1/2006 Ruzicka ..... D26/139

D544,641 S \* 6/2007 Elwell ..... D26/139  
D576,765 S \* 9/2008 Song ..... D26/139  
D595,895 S \* 7/2009 Lamm ..... D26/139  
D604,893 S \* 11/2009 Woolley ..... D26/139  
D608,498 S \* 1/2010 Beigel ..... D26/139  
D686,774 S \* 7/2013 McCabe ..... D26/139  
2014/0268850 A1 9/2014 Marley

\* cited by examiner

*Primary Examiner* — Marcus Jackson

(74) *Attorney, Agent, or Firm* — Alexander Chen, Esq.

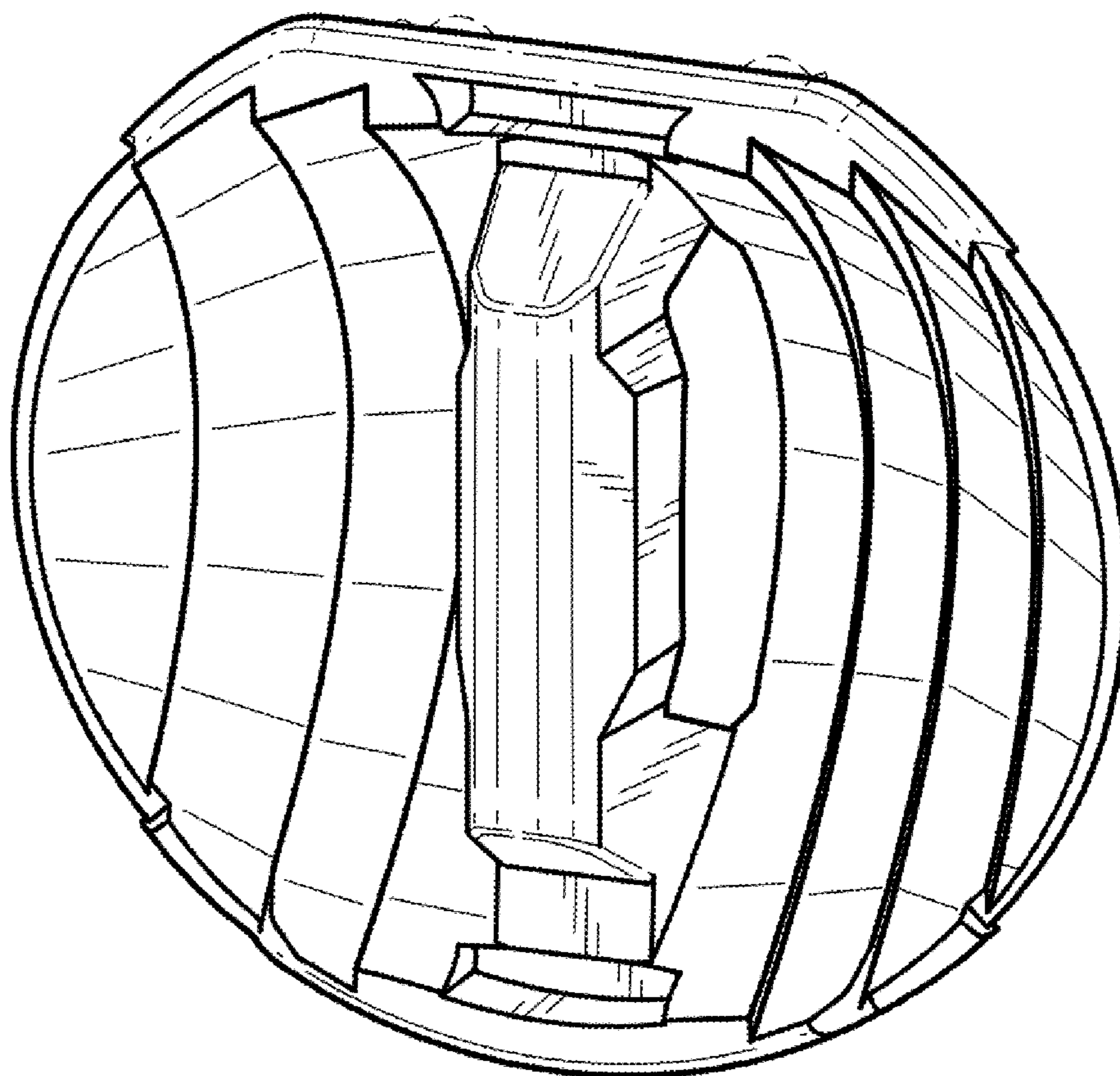
(57) **CLAIM**

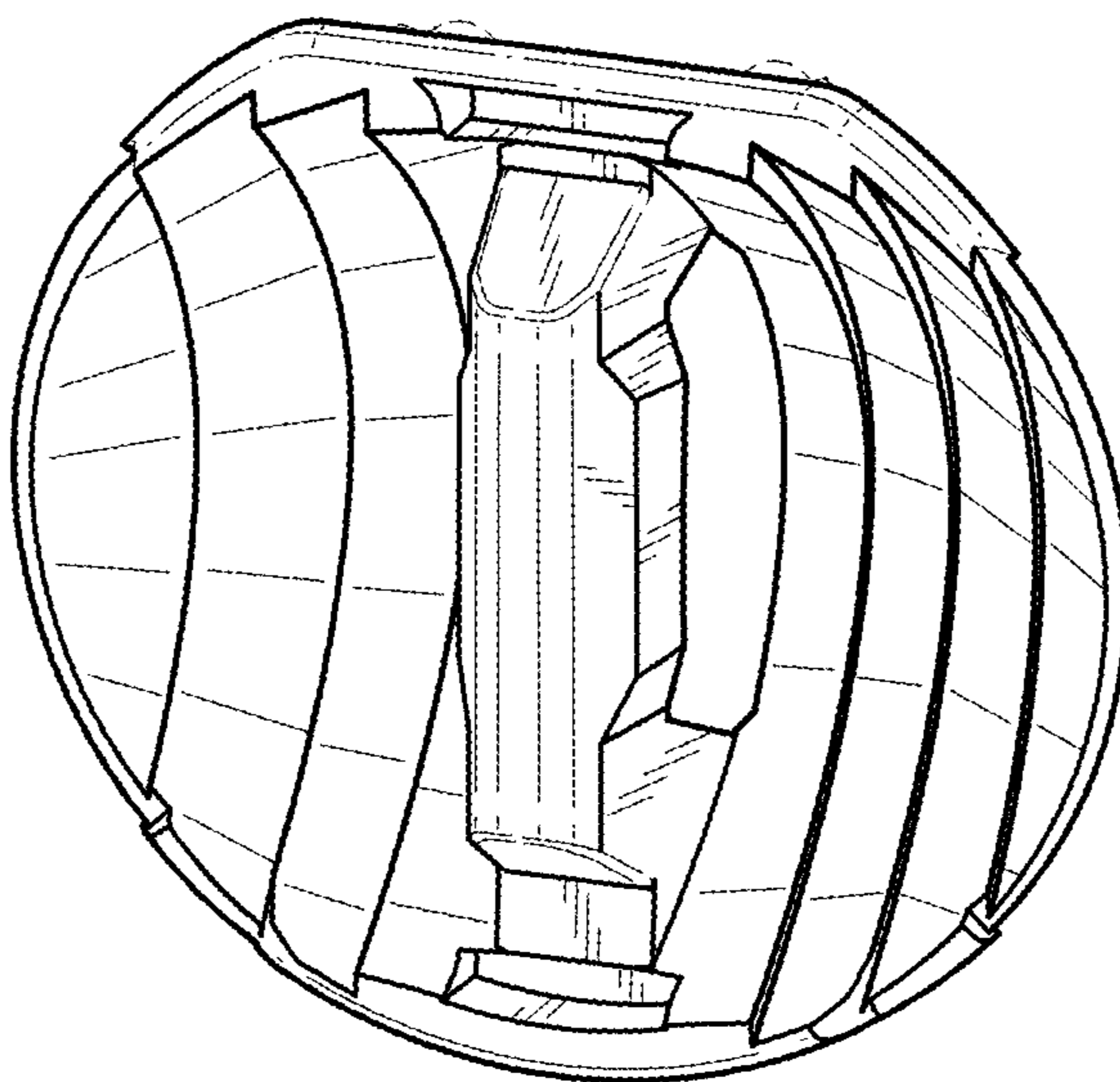
An ornamental design for an exterior surface configuration of a vehicle headlight reflector, as shown and described.

**DESCRIPTION**

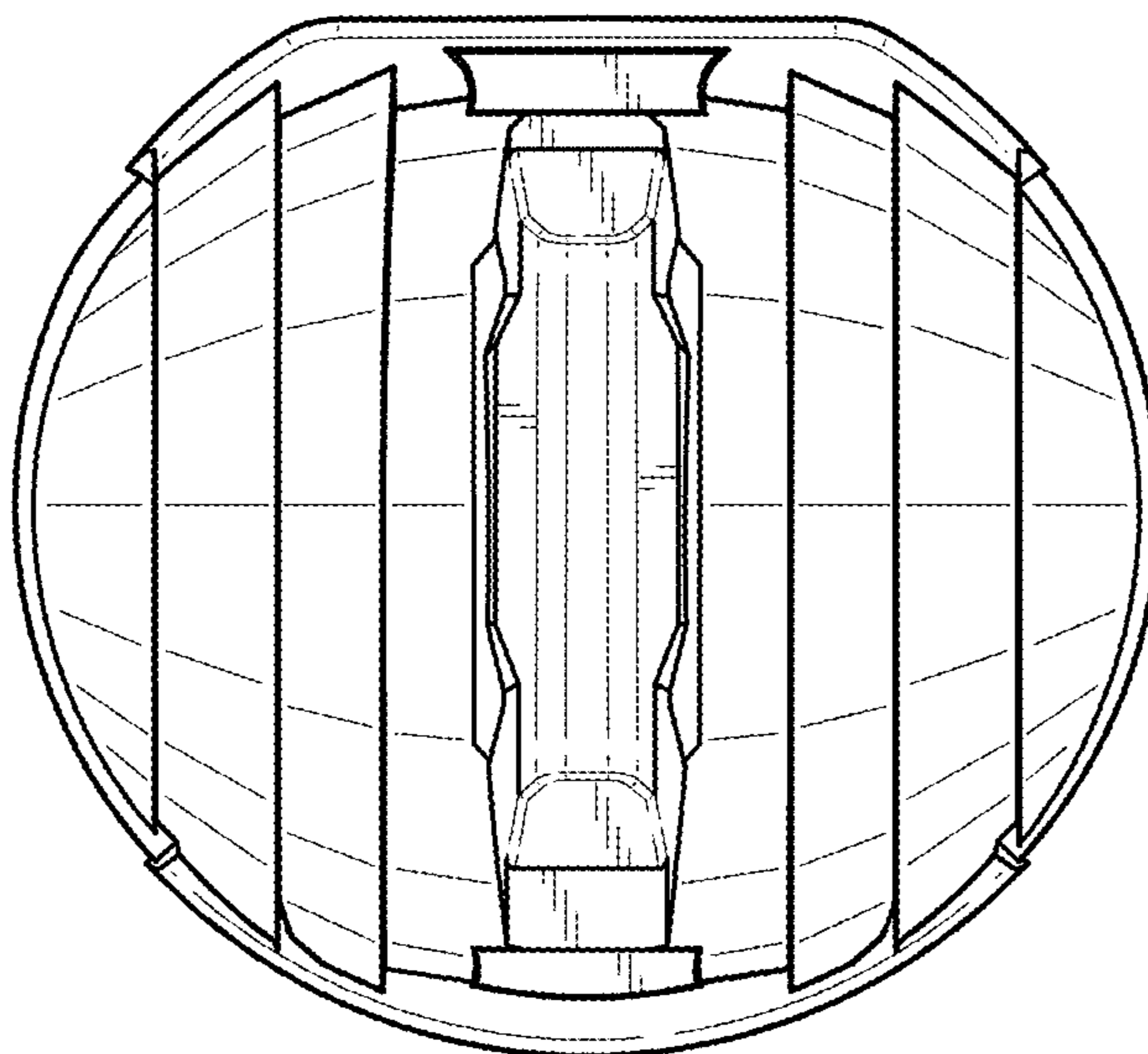
FIG. 1 is a perspective view of an exterior surface configuration of a vehicle headlight reflector. The dash line included denotes environment and is not part of the claimed design. FIG. 2 is a front view thereof; FIG. 3 is a side view thereof; FIG. 4 is a top view thereof; and, FIG. 5 is a bottom view thereof.

**1 Claim, 2 Drawing Sheets**

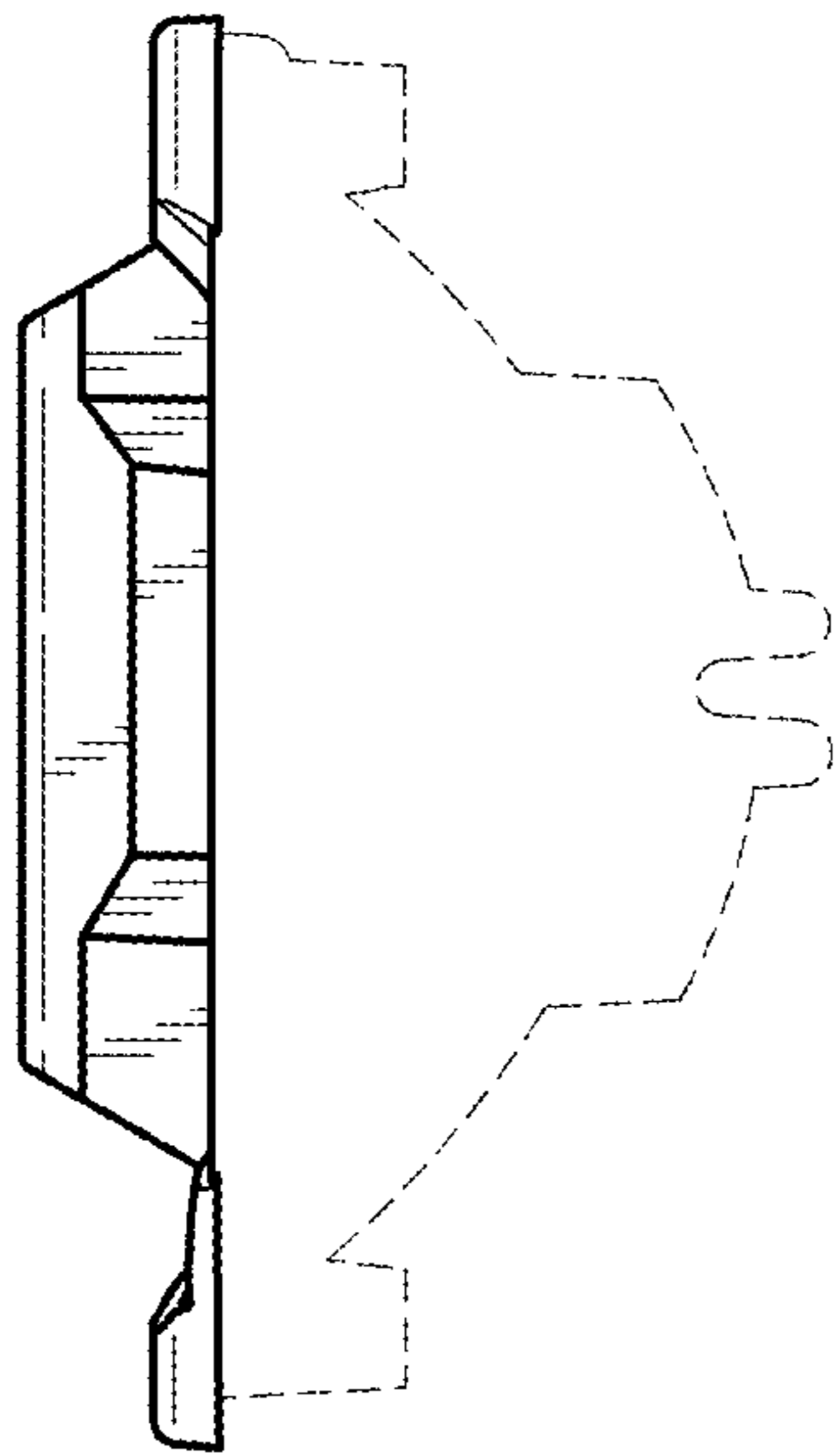




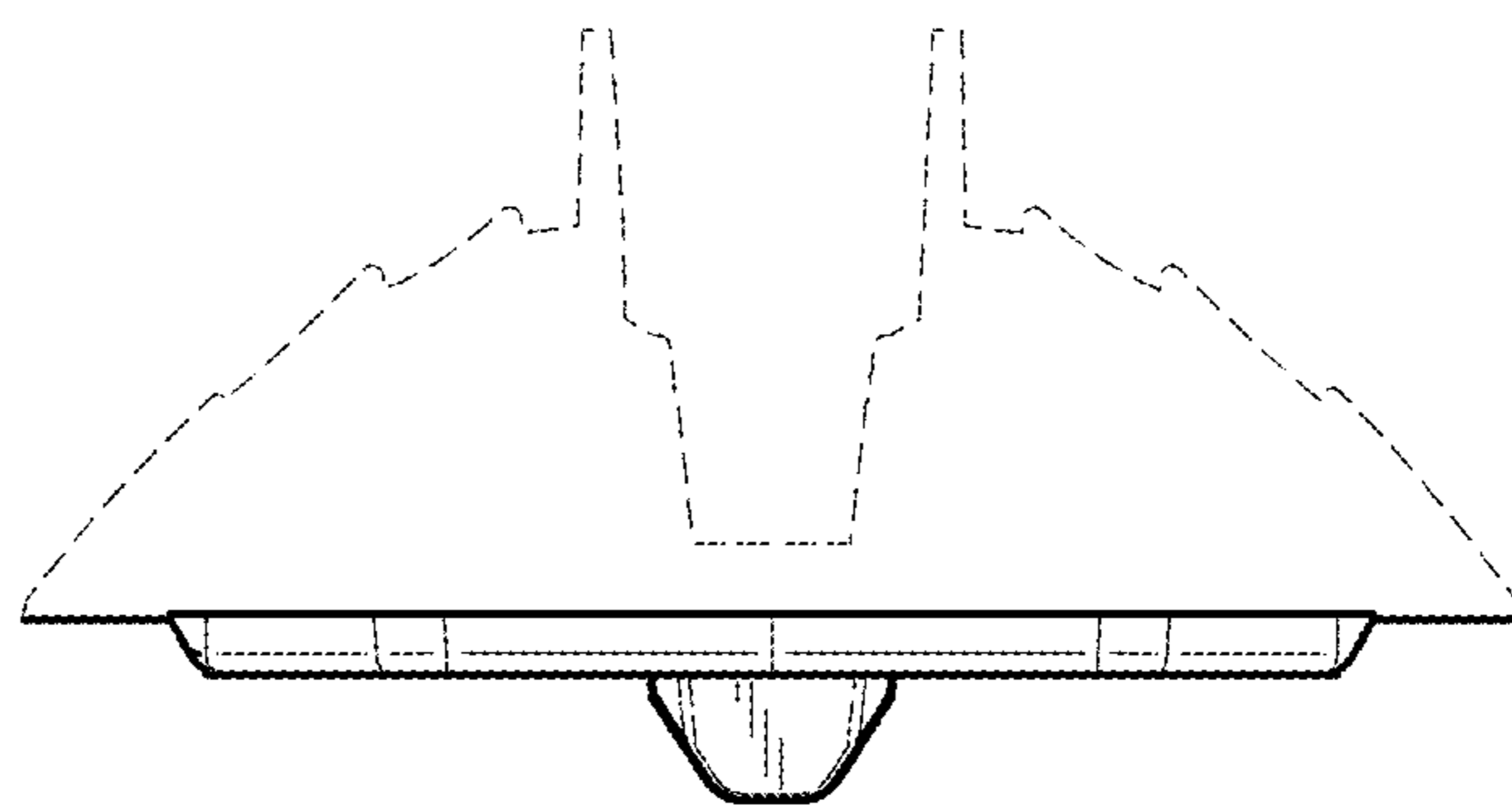
**FIG. 1**



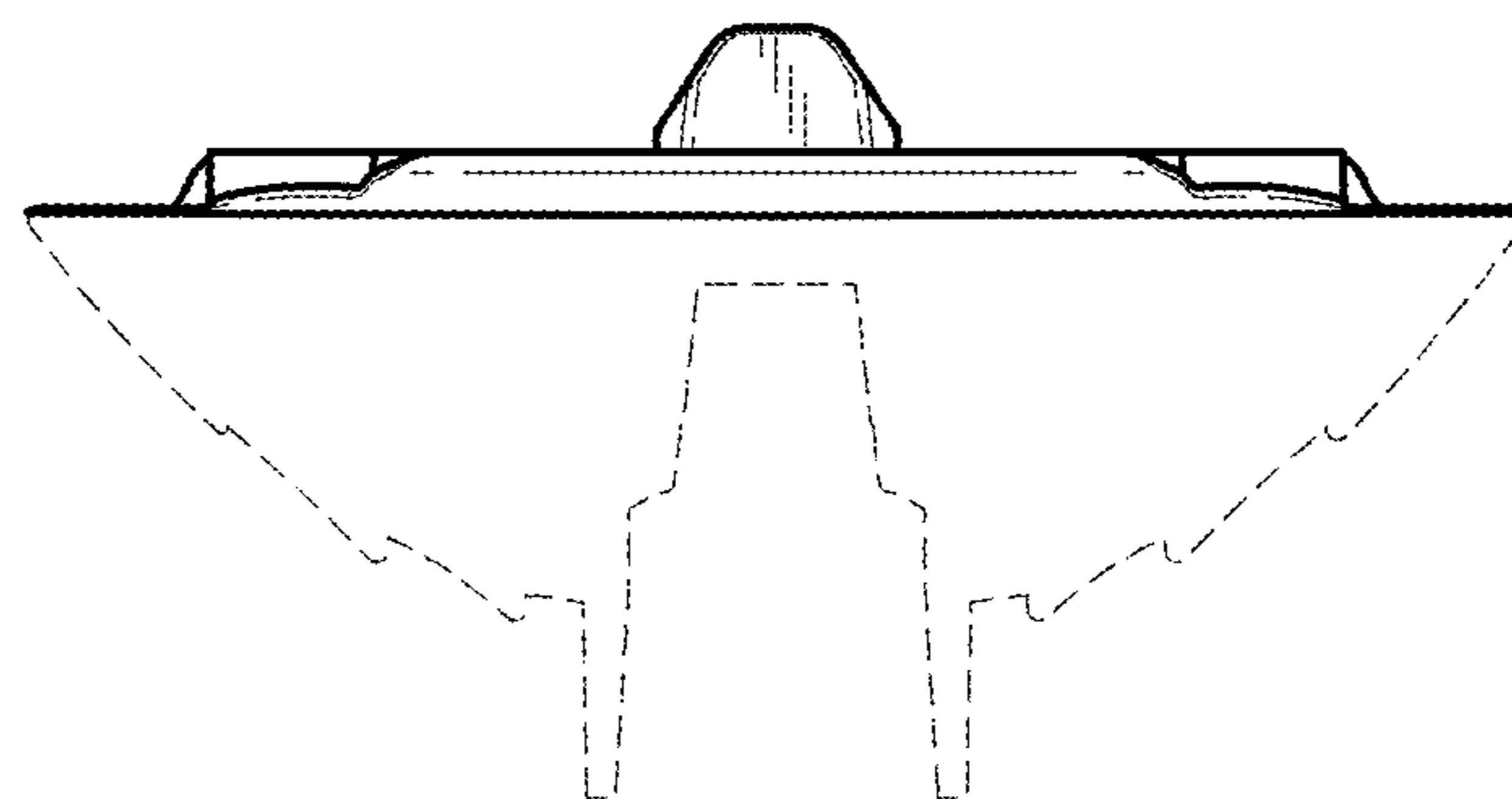
**FIG. 2**



**FIG. 3**



**FIG. 4**



**FIG. 5**