



US00D790757S

(12) **United States Design Patent**  
**Goltche**

(10) **Patent No.:** **US D790,757 S**  
(45) **Date of Patent:** **\*\* Jun. 27, 2017**

(54) **LED LIGHT LENS**

(71) Applicant: **Yehuda Goltche**, Great Neck, NY (US)

(72) Inventor: **Yehuda Goltche**, Great Neck, NY (US)

(\*\*) Term: **15 Years**

(21) Appl. No.: **29/547,134**

(22) Filed: **Dec. 1, 2015**

(51) **LOC (10) Cl.** ..... **26-99**

(52) **U.S. Cl.**  
USPC ..... **D26/120**

(58) **Field of Classification Search**  
USPC .... D26/120, 118, 47, 73, 94, 113, 122, 125,  
D26/128, 147, 72, 28; D10/114.4, 114.31  
CPC ..... B60R 1/12; F21V 11/00; F21V 21/02;  
F21V 5/04; F21V 5/08  
See application file for complete search history.

(56) **References Cited**

**U.S. PATENT DOCUMENTS**

- D627,672 S \* 11/2010 Shin ..... D10/114.1
- D681,866 S \* 5/2013 Lin ..... D26/120
- D700,098 S \* 2/2014 Deyaf ..... D10/114.4
- D709,221 S \* 7/2014 Tsai ..... D26/28
- D760,104 S \* 6/2016 Jacobs ..... D10/114.4

D771,304 S \* 11/2016 Goltche ..... D26/120

\* cited by examiner

*Primary Examiner* — Brian N Vinson

(74) *Attorney, Agent, or Firm* — Dunlap Bennett & Ludwig PLLC

(57) **CLAIM**

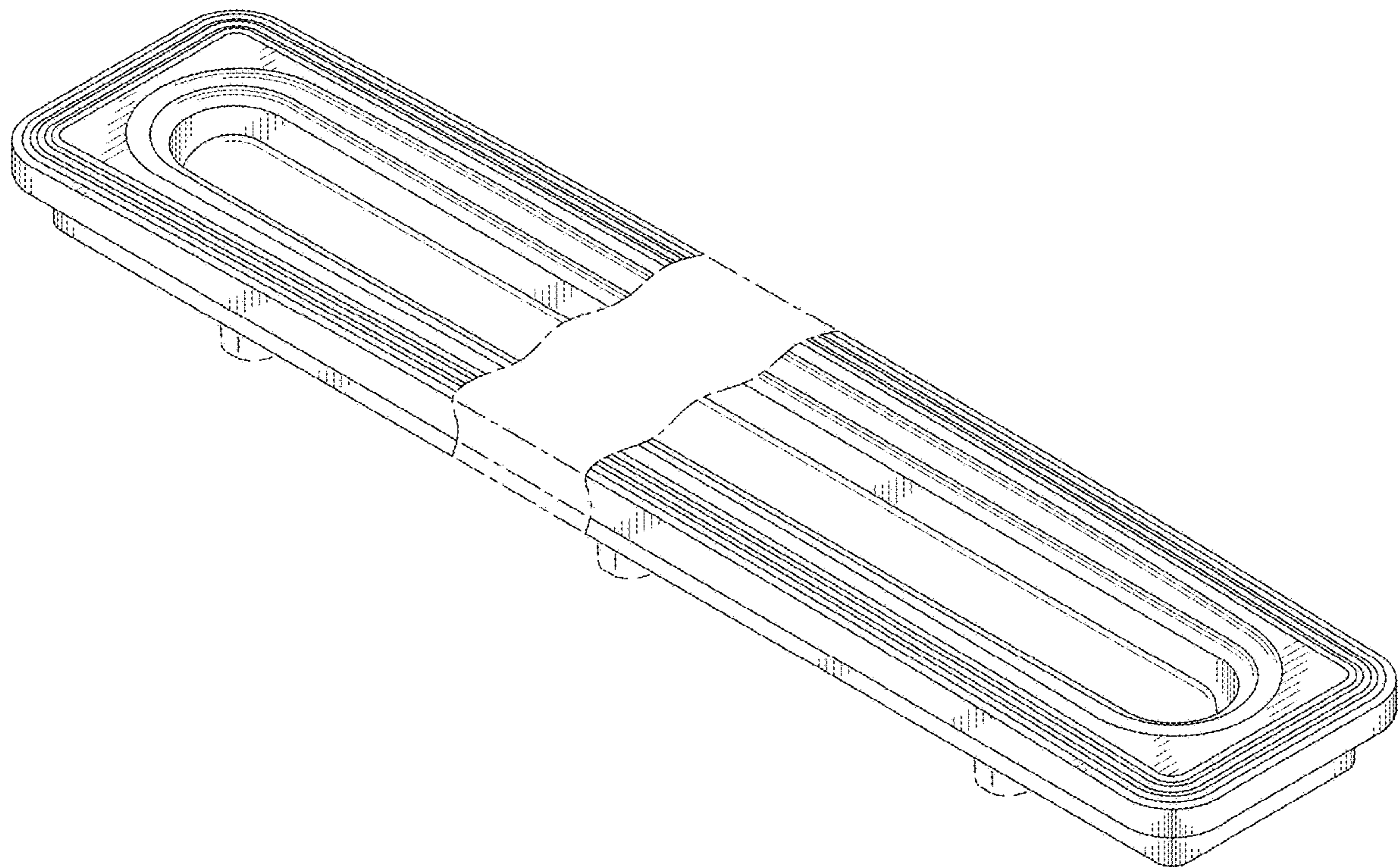
The ornamental design for a LED light lens, as shown and described.

**DESCRIPTION**

FIG. 1 is a top front perspective view of a LED light lens; FIG. 2 is a top plan view of FIG. 1; FIG. 3 is a bottom plan view of FIG. 1; FIG. 4 is a front elevation view of FIG. 1, the rear elevation view being a mirror image thereof; and, FIG. 5 is a left elevation view of FIG. 1, the right elevation view being a mirror image thereof.

The broken lines shown in the drawings depict portions of the LED light lens that form no part of the claimed design. The LED light lens are shown with symbolic breaks in their lengths. The appearance of any portion of the article between the break lines forms not part of the second embodiment of the claimed design.

**1 Claim, 2 Drawing Sheets**



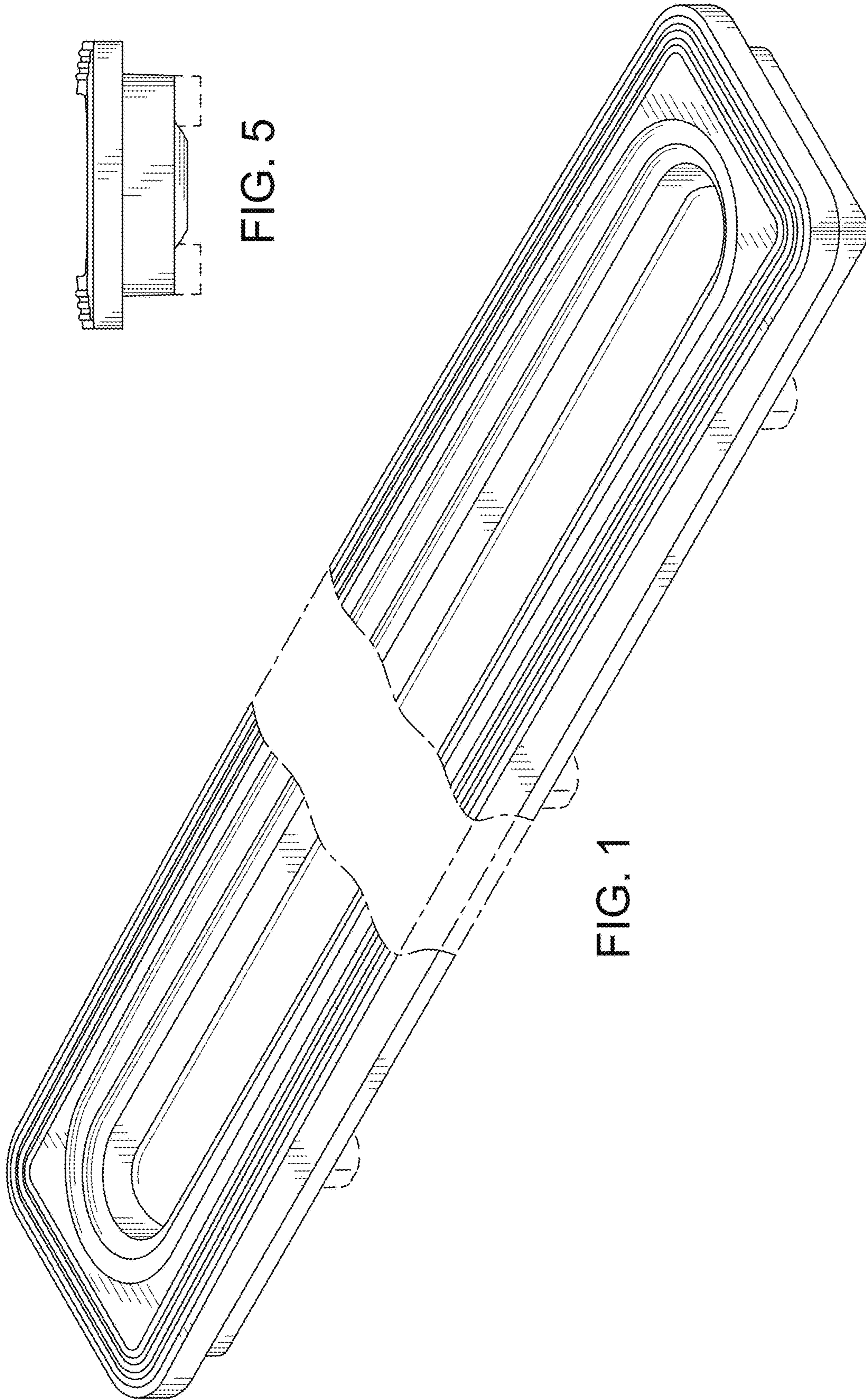


FIG. 5

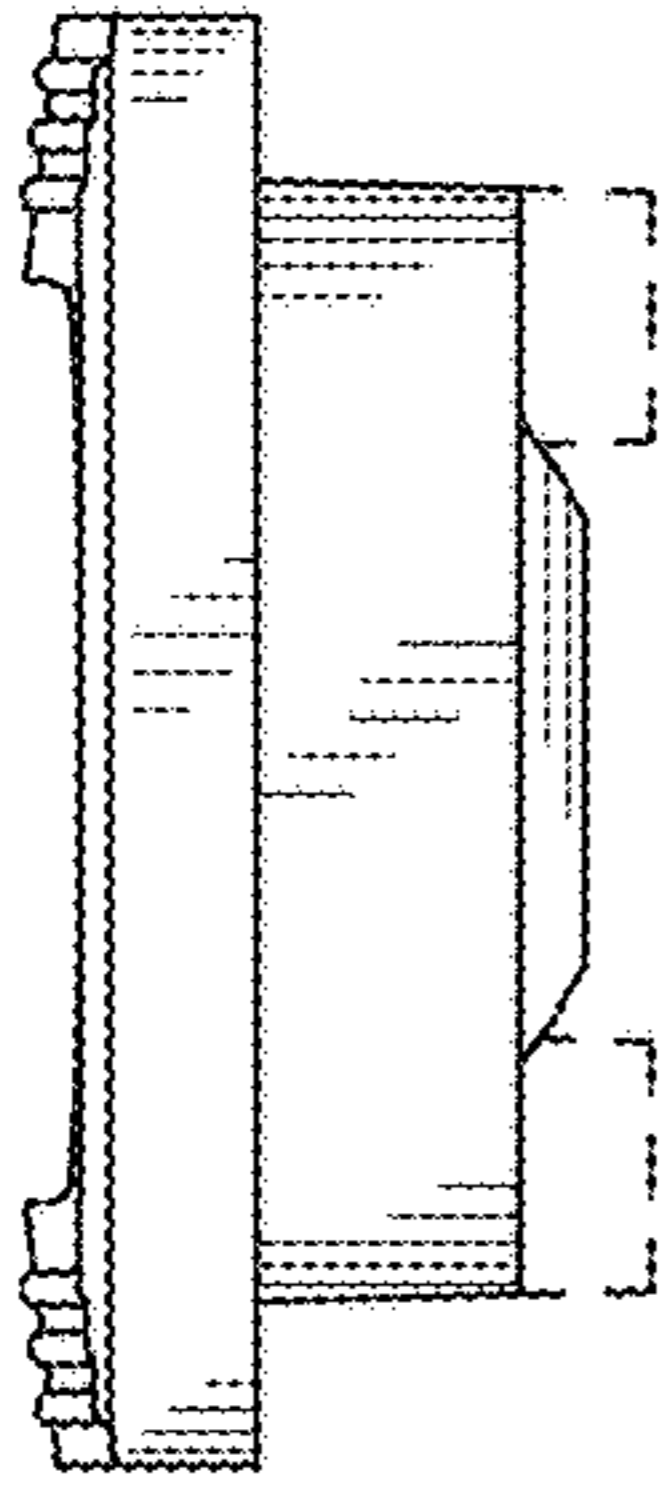


FIG. 1



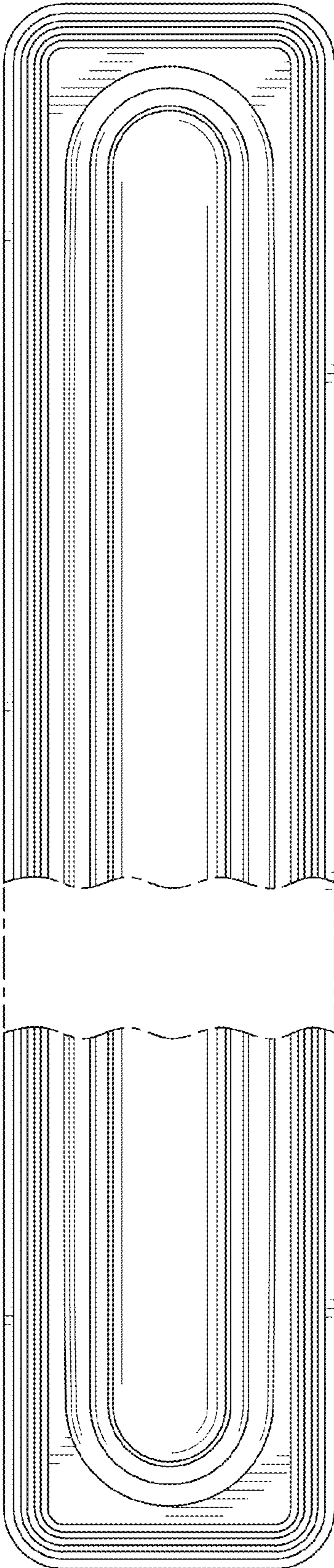


FIG. 2

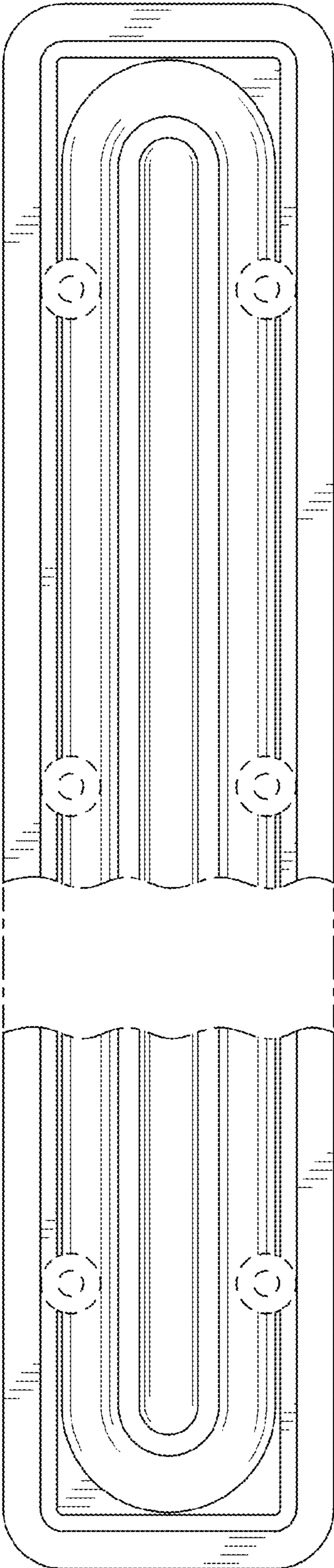


FIG. 3

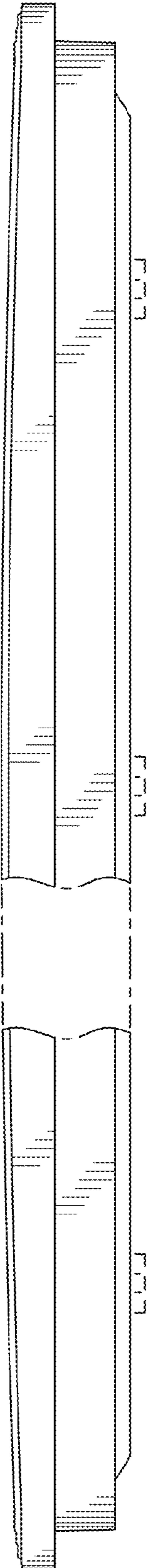


FIG. 4