



US00D790755S

(12) **United States Design Patent** (10) **Patent No.:** **US D790,755 S**
Nelson (45) **Date of Patent:** **** Jun. 27, 2017**

(54) **WORK LIGHT**

(71) Applicant: **Home Depot Product Authority, LLC,**
Atlanta, GA (US)

(72) Inventor: **Michael Nelson,** Peachtree City, GA
(US)

(73) Assignee: **Home Depot Product Authority, LLC,**
Atlanta, GA (US)

(**) Term: **15 Years**

(21) Appl. No.: **29/553,151**

(22) Filed: **Jan. 28, 2016**

Related U.S. Application Data

(62) Division of application No. 29/440,607, filed on Dec.
21, 2012, now Pat. No. Des. 748,448.

(51) **LOC (10) Cl.** **26-99**

(52) **U.S. Cl.**
USPC **D26/118**

(58) **Field of Classification Search**
USPC D26/1, 24, 61, 63, 65, 85, 92, 113, 118
CPC F21V 21/14; F21V 15/01; F21V 14/02;
F21V 21/30; F21V 21/00; F21V 14/00;
F21S 8/00; F21S 8/003; F21S 8/043;
F21Y 2105/001

See application file for complete search history.

(56) **References Cited**

U.S. PATENT DOCUMENTS

D375,376 S * 11/1996 Shen D26/63
D392,061 S 3/1998 Lo
D420,159 S * 2/2000 Duennes D26/63
D427,863 S 7/2000 Kurz

D449,398 S * 10/2001 Tsao D26/63
D449,502 S 10/2001 Fraser et al.
6,450,660 B1 9/2002 Lee
D486,261 S * 2/2004 Tsai D26/63
D486,599 S * 2/2004 Bayat D26/63
D505,220 S * 5/2005 Stekelenburg D26/61
D558,369 S 12/2007 O'Hern
D590,693 S 4/2009 Bertani
D604,573 S 11/2009 Boies
D625,872 S * 10/2010 Leen D26/63
D630,487 S 1/2011 Davis
D657,483 S 4/2012 Leen
D657,652 S 4/2012 Lin

OTHER PUBLICATIONS

U.S. Appl. No. 29/553,156, filed Jan. 2016, Nelson.

* cited by examiner

Primary Examiner — Brian N Vinson

(74) *Attorney, Agent, or Firm* — Greenberg Traurig, LLP

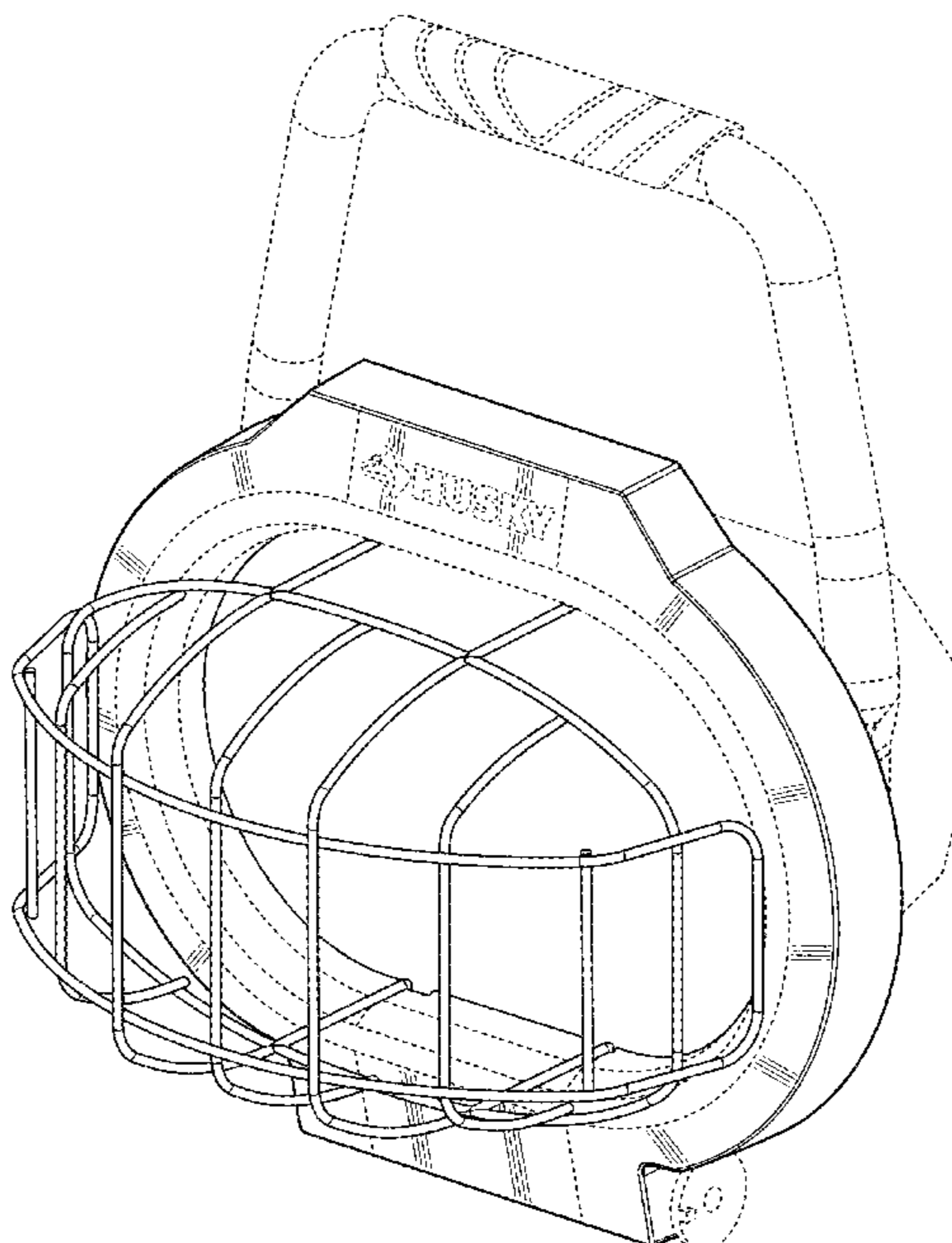
(57) **CLAIM**

The ornamental design for work light, as shown and described.

DESCRIPTION

FIG. 1 is a perspective view of my design;
FIG. 2 is another perspective view thereof;
FIG. 3 is a front view thereof;
FIG. 4 is a left side view thereof, the right side view being
a mirror image thereof;
FIG. 5 is a top view thereof; and,
FIG. 6 is a bottom view thereof.
The broken line disclosure represents portions of the work
light which form no part of the claimed design.

1 Claim, 6 Drawing Sheets



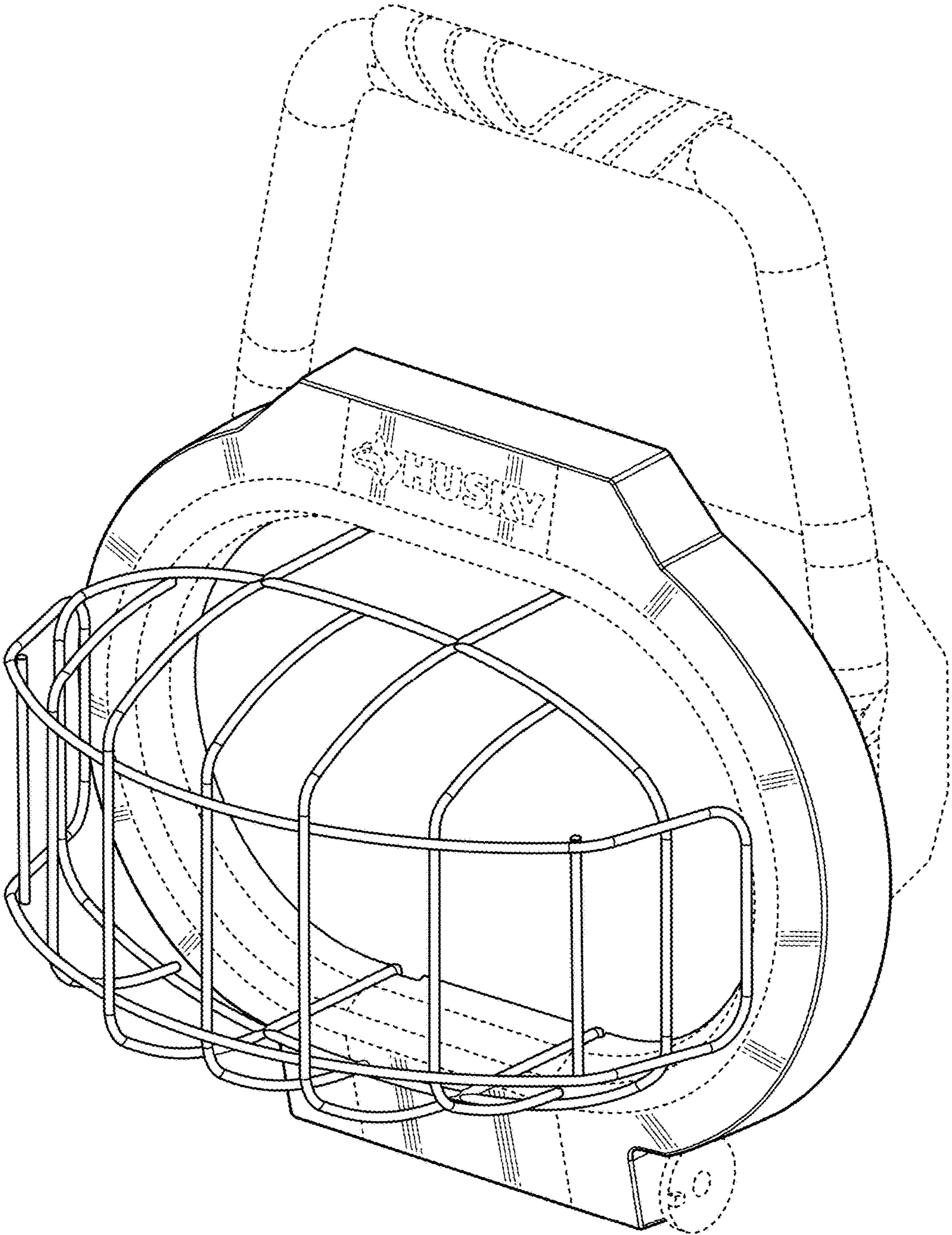


FIG. 1

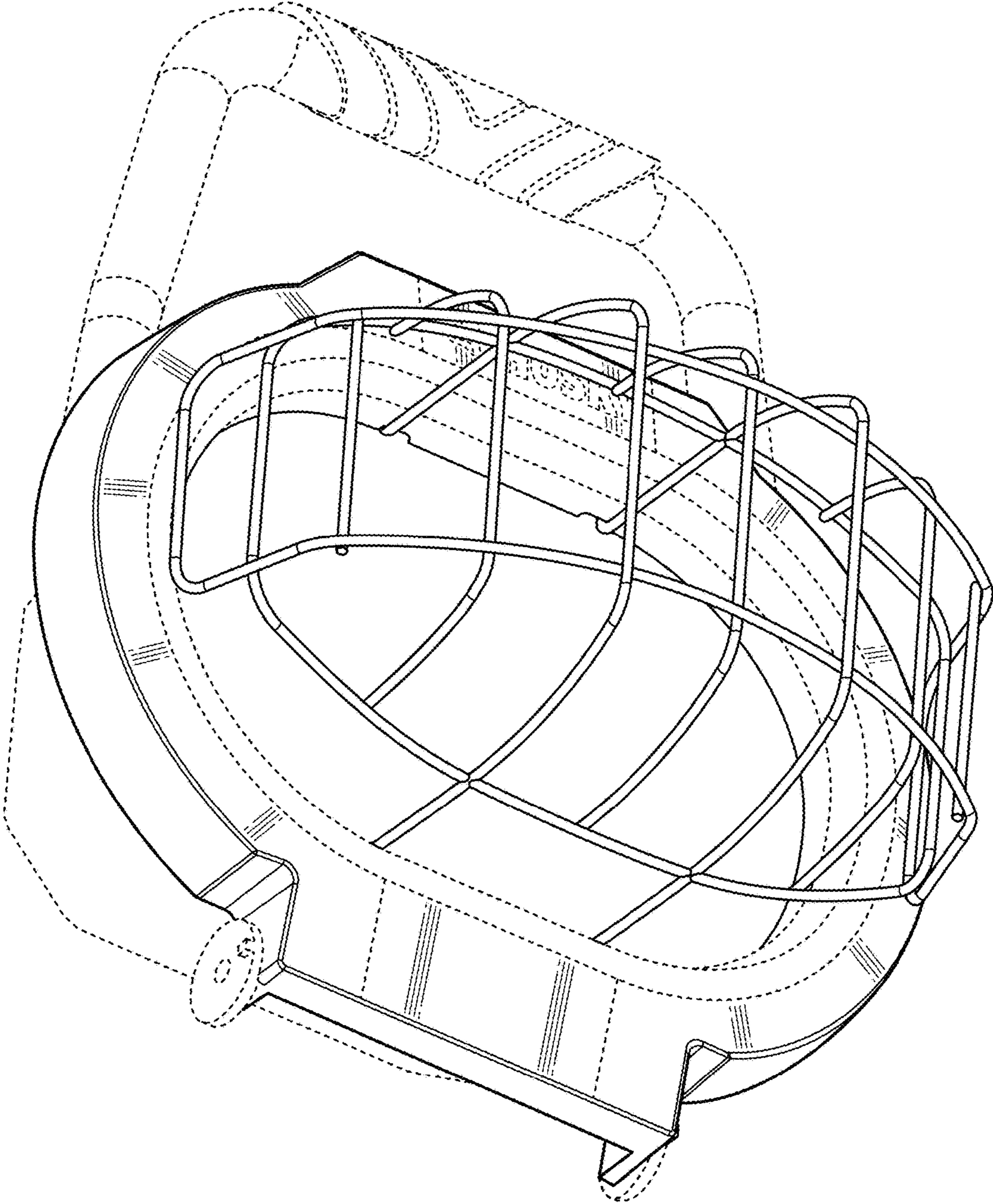


FIG. 2

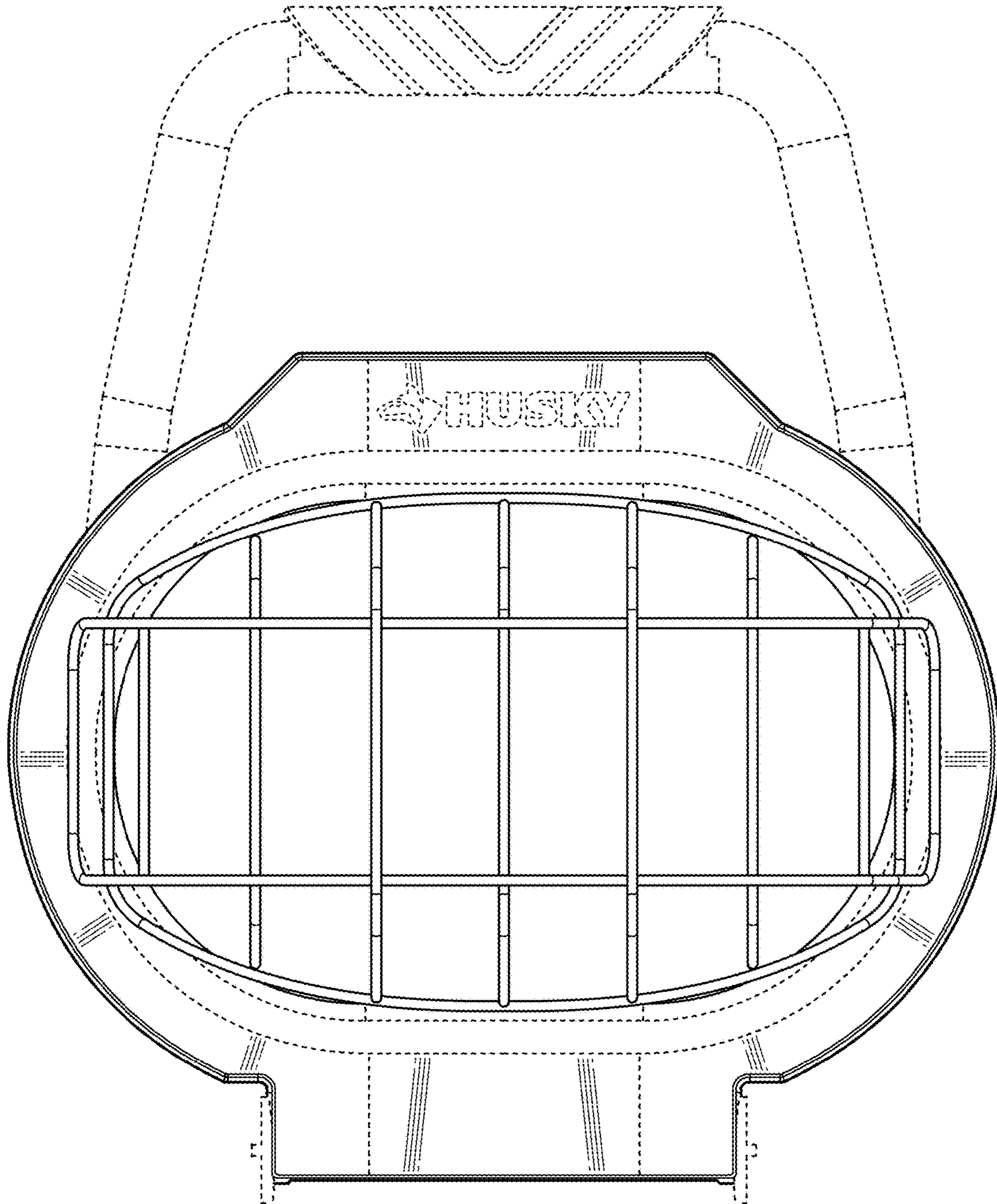


FIG. 3

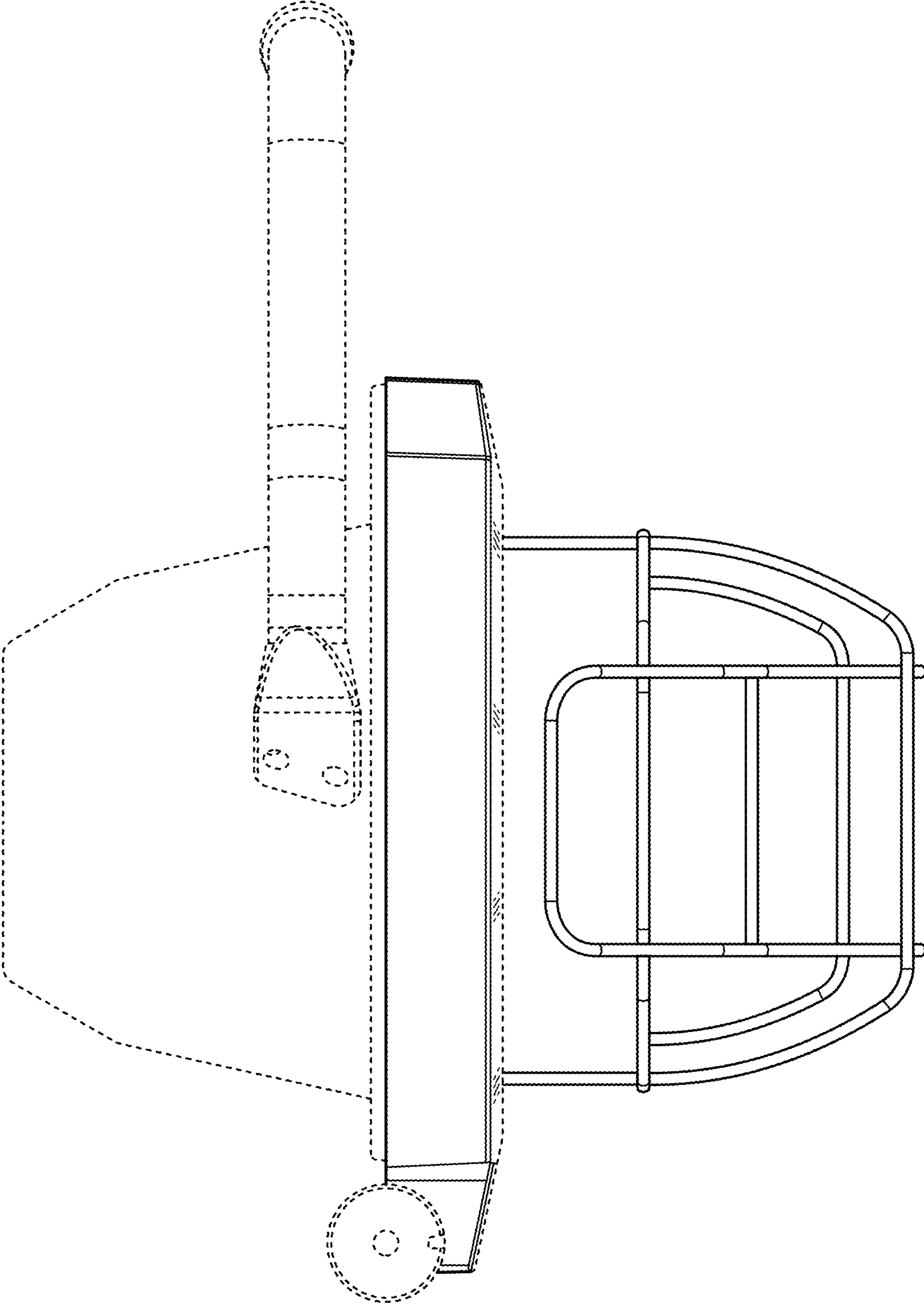


FIG. 4

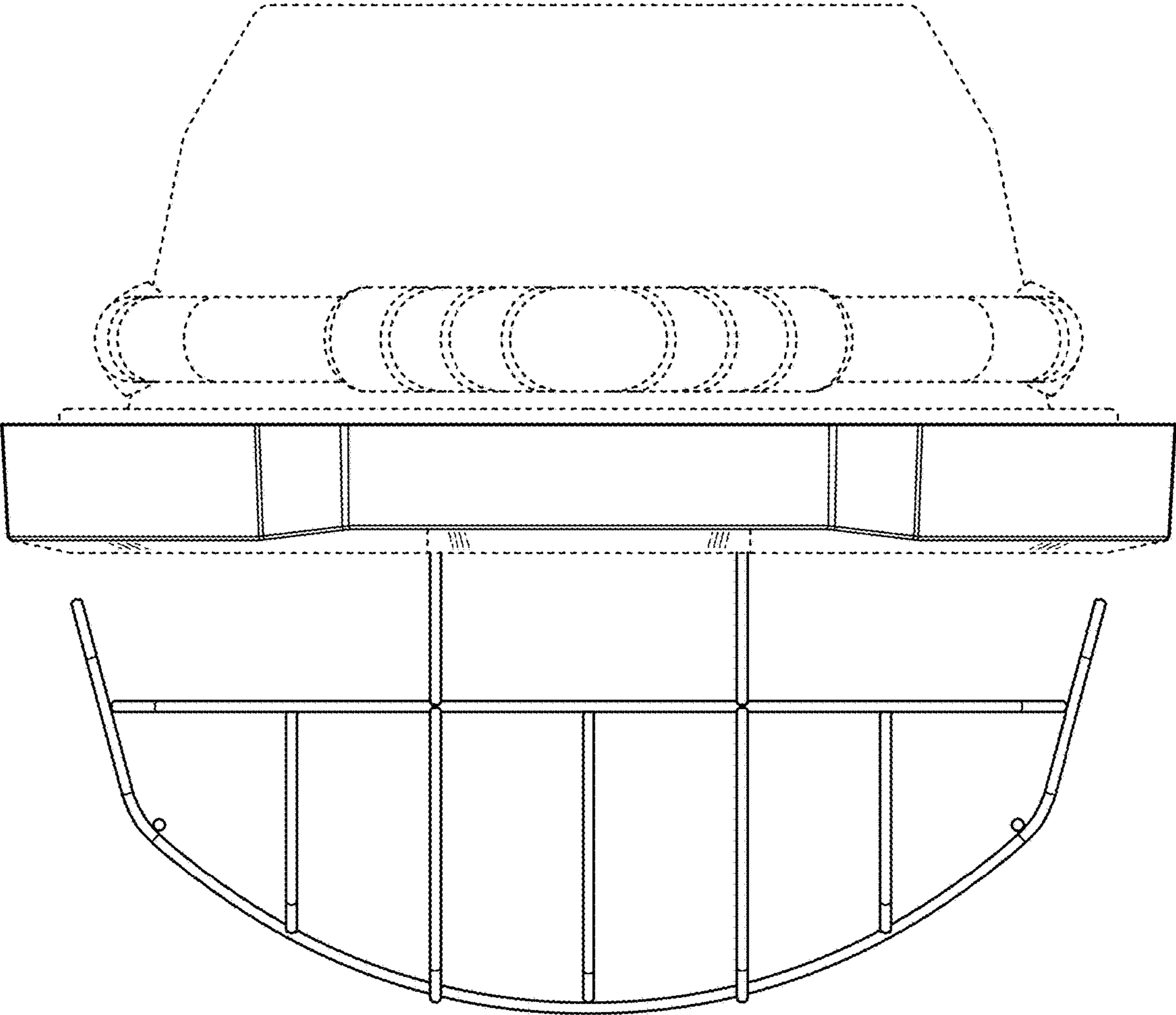


FIG. 5

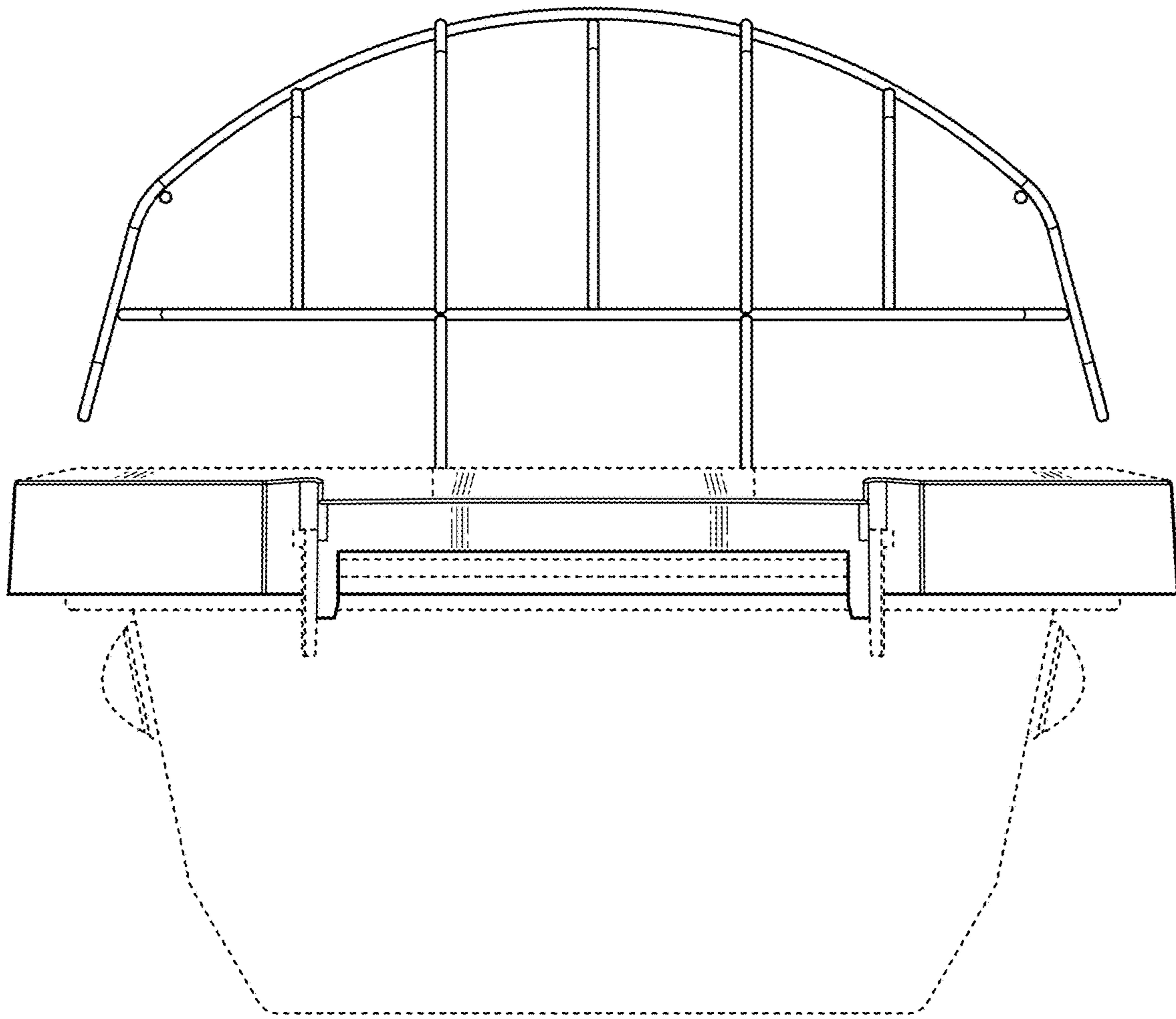


FIG. 6