



US00D790754S

(12) **United States Design Patent**
Khorenian

(10) **Patent No.:** **US D790,754 S**

(45) **Date of Patent:** **** Jun. 27, 2017**

(54) **CANOPY FIXTURE FOR PENDANT LIGHT**

(71) Applicant: **Rosette D. Khorenian**, Tenafly, NJ
(US)

(72) Inventor: **Rosette D. Khorenian**, Tenafly, NJ
(US)

(73) Assignee: **RDK Architects, R.A., LLC**,
Englewood, NJ (US)

(**) Term: **15 Years**

(21) Appl. No.: **29/547,365**

(22) Filed: **Dec. 3, 2015**

(51) **LOC (10) Cl.** **26-99**

(52) **U.S. Cl.**
USPC **D26/118**

(58) **Field of Classification Search**
USPC D26/113, 118, 119, 120, 121, 122, 145,
D26/142, 143, 128, 134, 72, 88
CPC F21S 8/00; F21S 8/03; F21S 8/04; F21S
8/06; F21S 8/043; F21S 8/026; F21S
8/063; F21S 8/02
See application file for complete search history.

(56) **References Cited**

U.S. PATENT DOCUMENTS

D217,636 S *	5/1970	Mori	D26/134
D418,625 S *	1/2000	Dolan	D26/88
D440,346 S *	4/2001	Johnson	D26/128
D449,129 S *	10/2001	Hoffbauer	D26/128
D497,458 S *	10/2004	Nauert	A01K 39/00
				119/57.9
D630,373 S *	1/2011	Kim	D26/128

D642,316 S *	7/2011	Zheng	D26/72
D663,470 S *	7/2012	Ruiz	D26/88
D688,408 S *	8/2013	Wung	D26/72
D697,250 S *	1/2014	Haynes	D26/88

* cited by examiner

Primary Examiner — Brian N Vinson

(74) *Attorney, Agent, or Firm* — Bakos & Kritzer

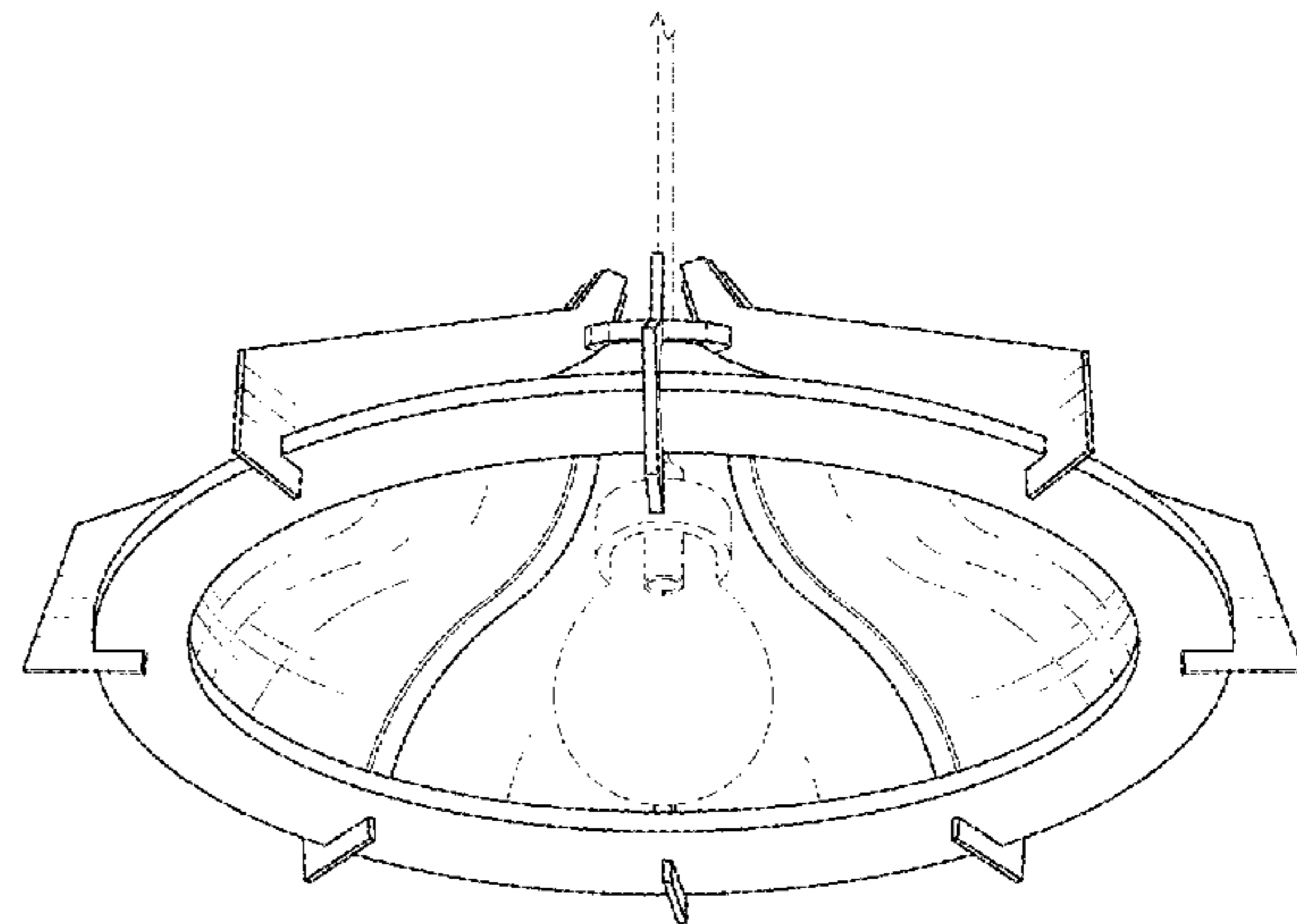
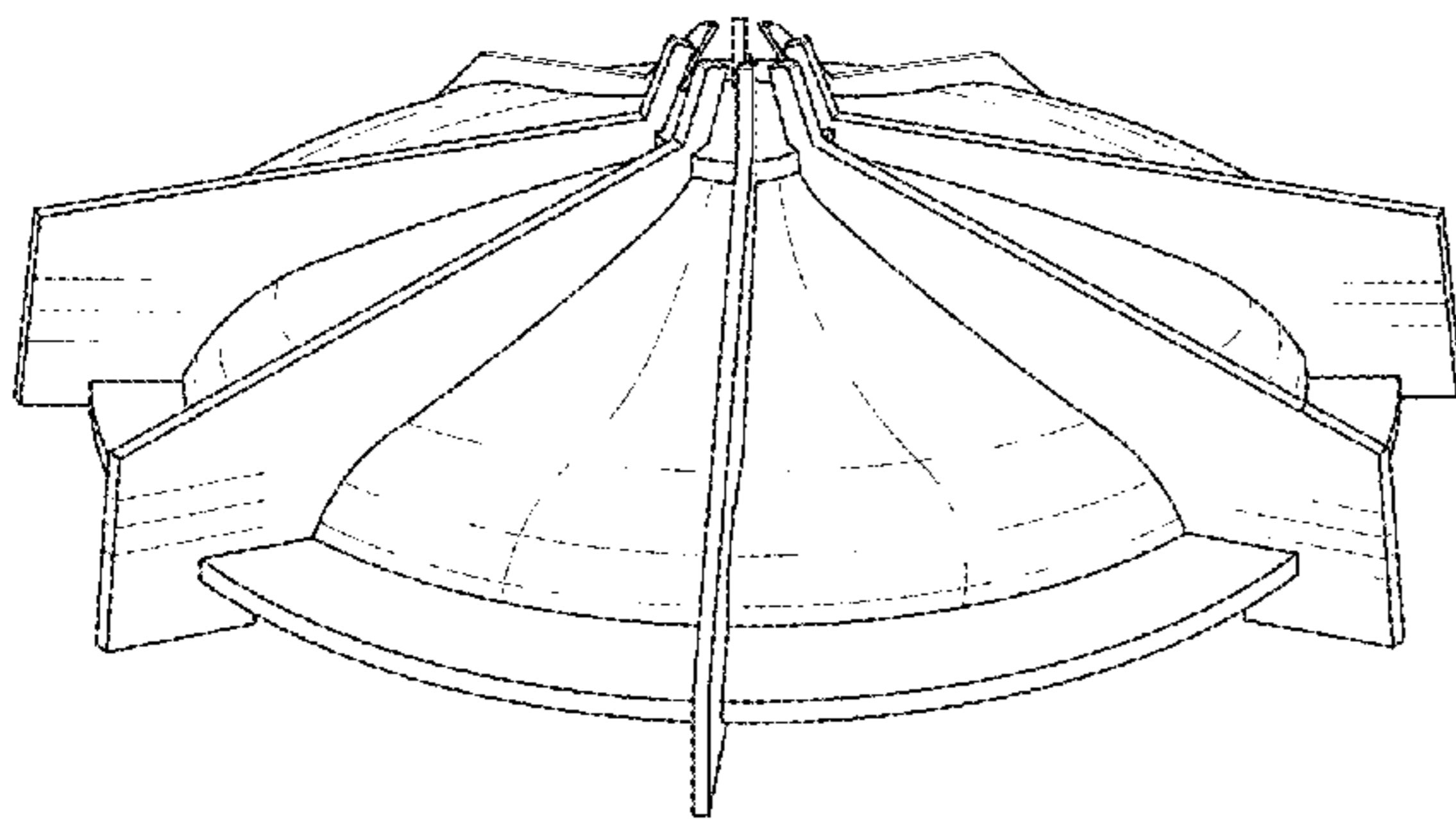
(57) **CLAIM**

The ornamental design of a canopy fixture for pendant light, as shown and described.

DESCRIPTION

FIG. 1 is a top view of a canopy fixture for pendant light; FIG. 2 is a bottom view of the canopy fixture for pendant light of FIG. 1; FIG. 3 is a first side view of the canopy fixture for pendant light of FIG. 1; FIG. 4 is a second side view of the canopy fixture for pendant light of FIG. 1; FIG. 5 is a top perspective view of the canopy fixture for pendant light of FIG. 1; FIG. 6 is a side perspective view of the canopy fixture for pendant light of FIG. 1 with a pendant light removably positioned within said canopy fixture; FIG. 7 is a bottom perspective view of the canopy fixture for pendant light of FIG. 1; and, FIG. 8 is a bottom perspective view of the canopy fixture for pendant light of FIG. 1 with a pendant light removably positioned within said canopy fixture for pendant light. The broken lines shown in the drawings are for environmental purposes only and form no part of the claimed design.

1 Claim, 4 Drawing Sheets



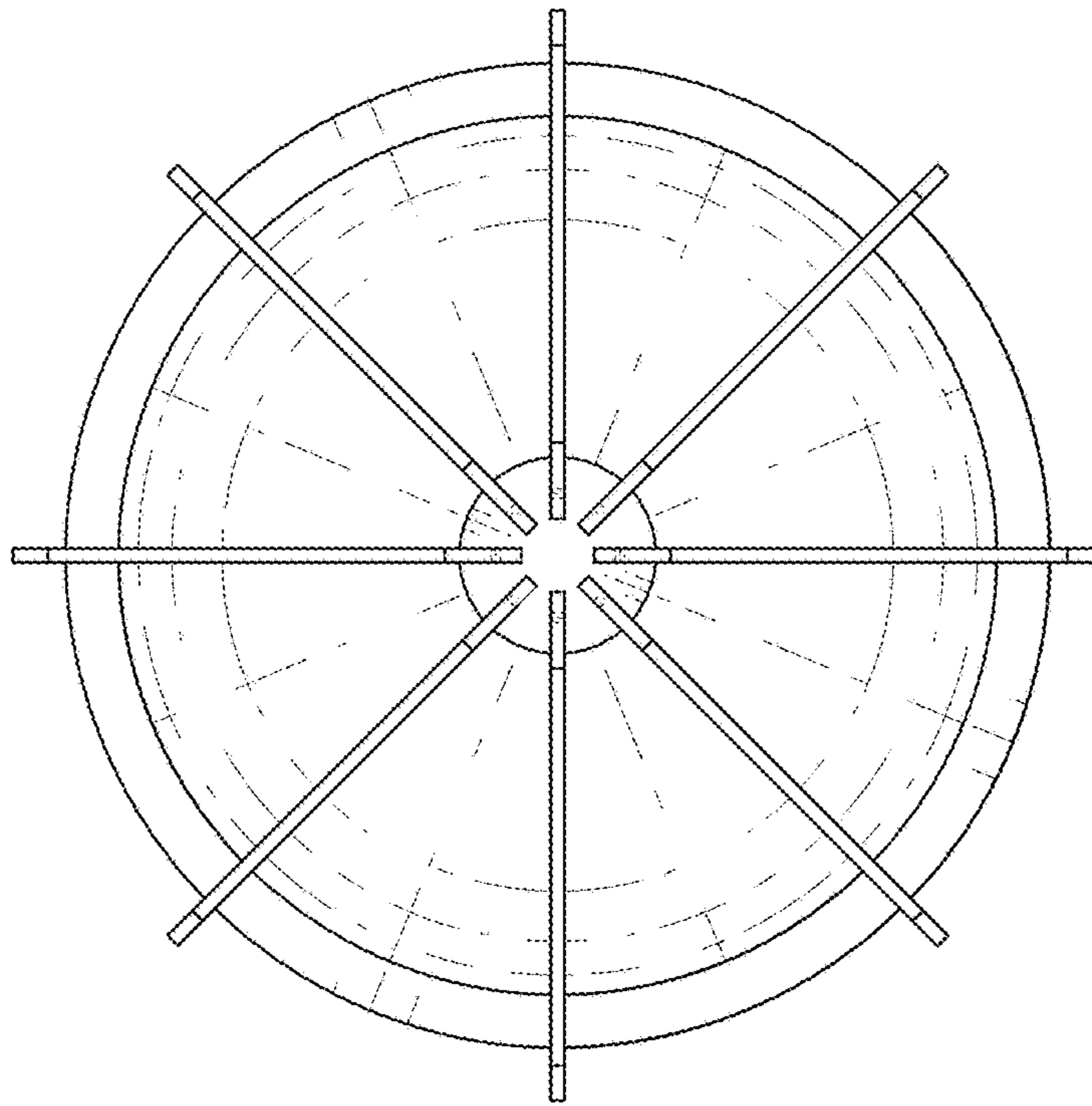


FIG. 1

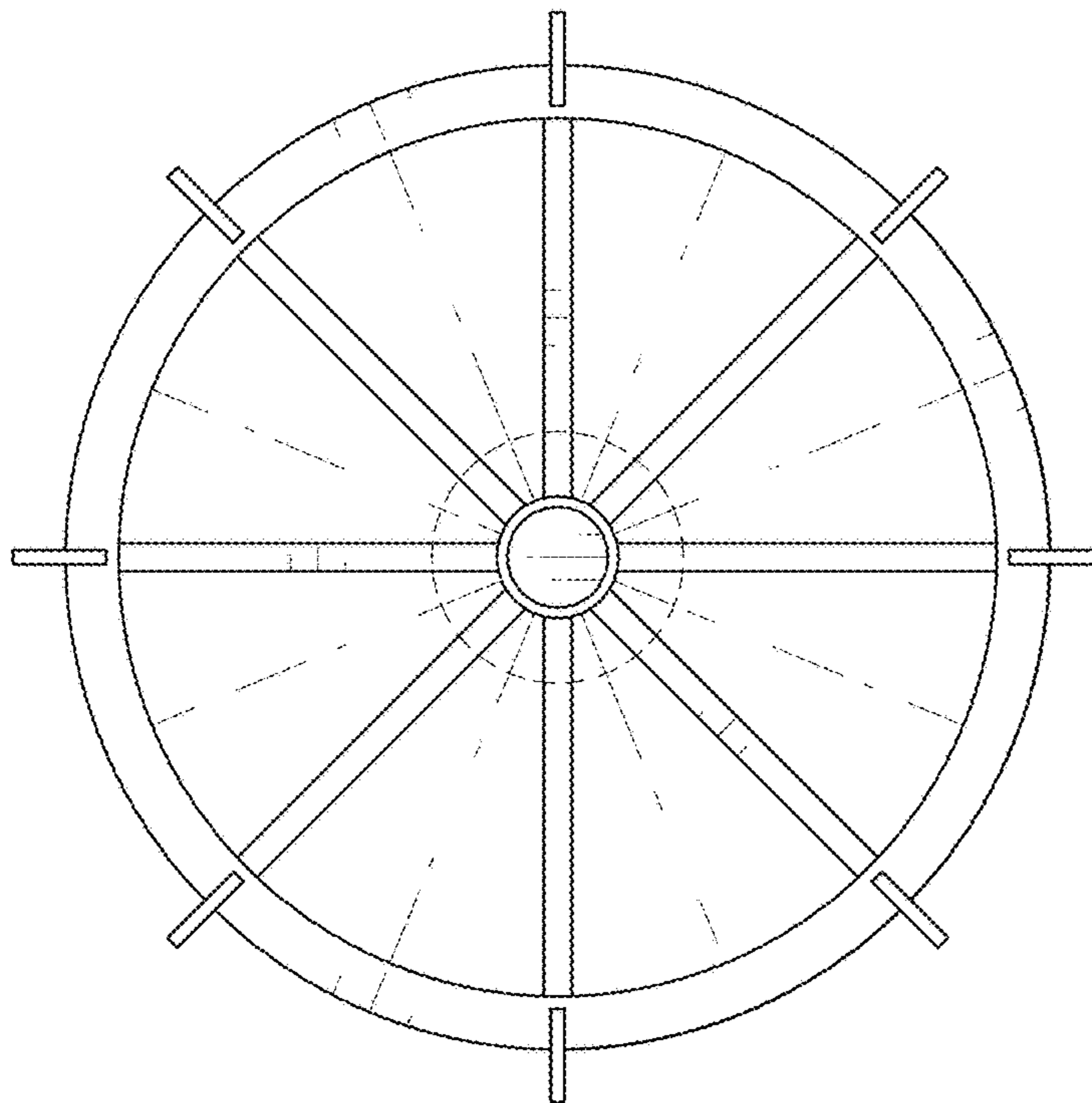


FIG. 2

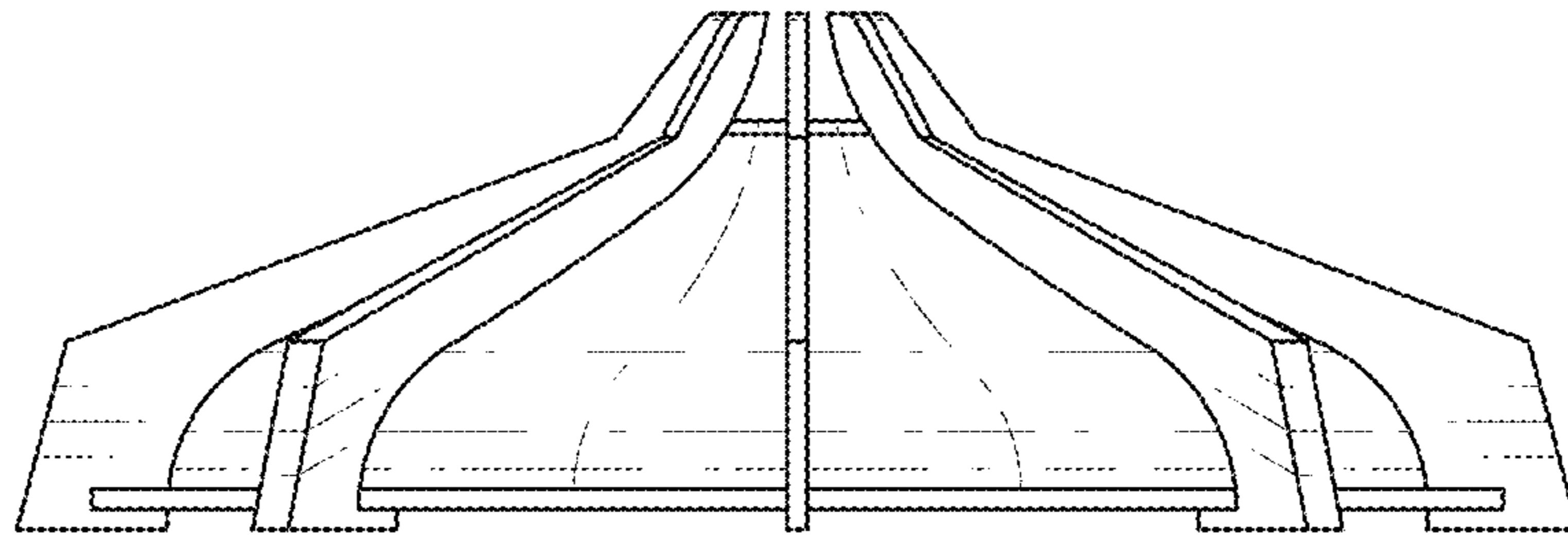


FIG. 3

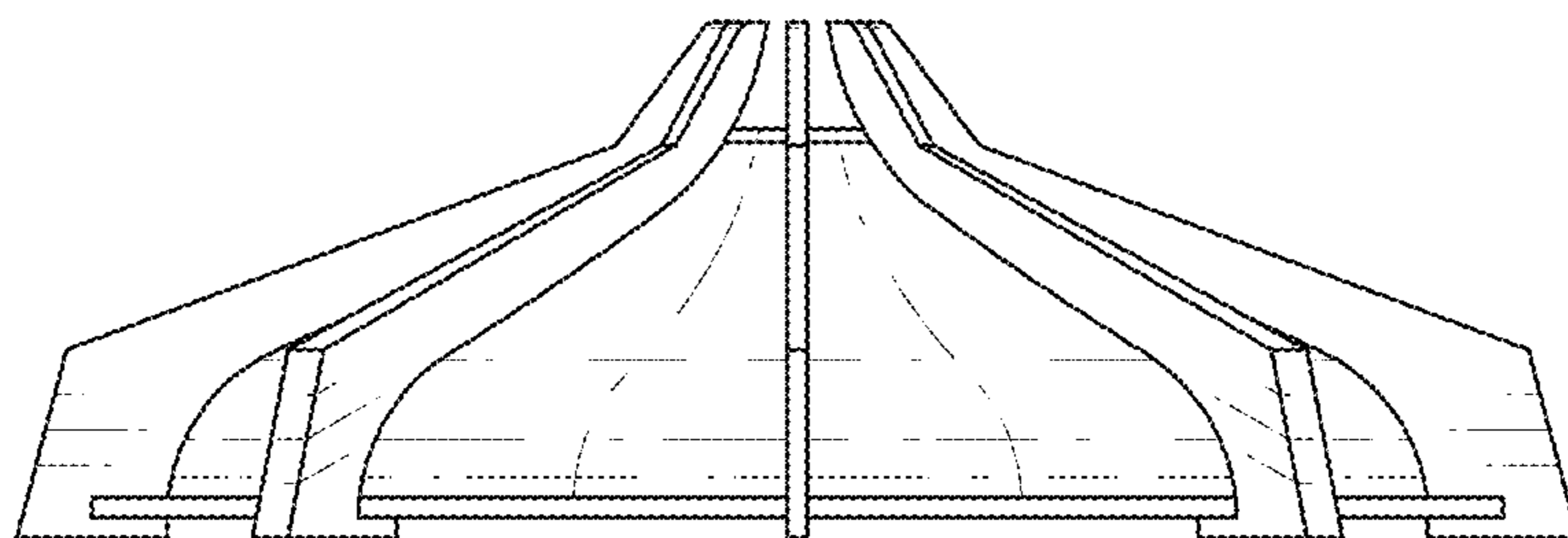


FIG. 4

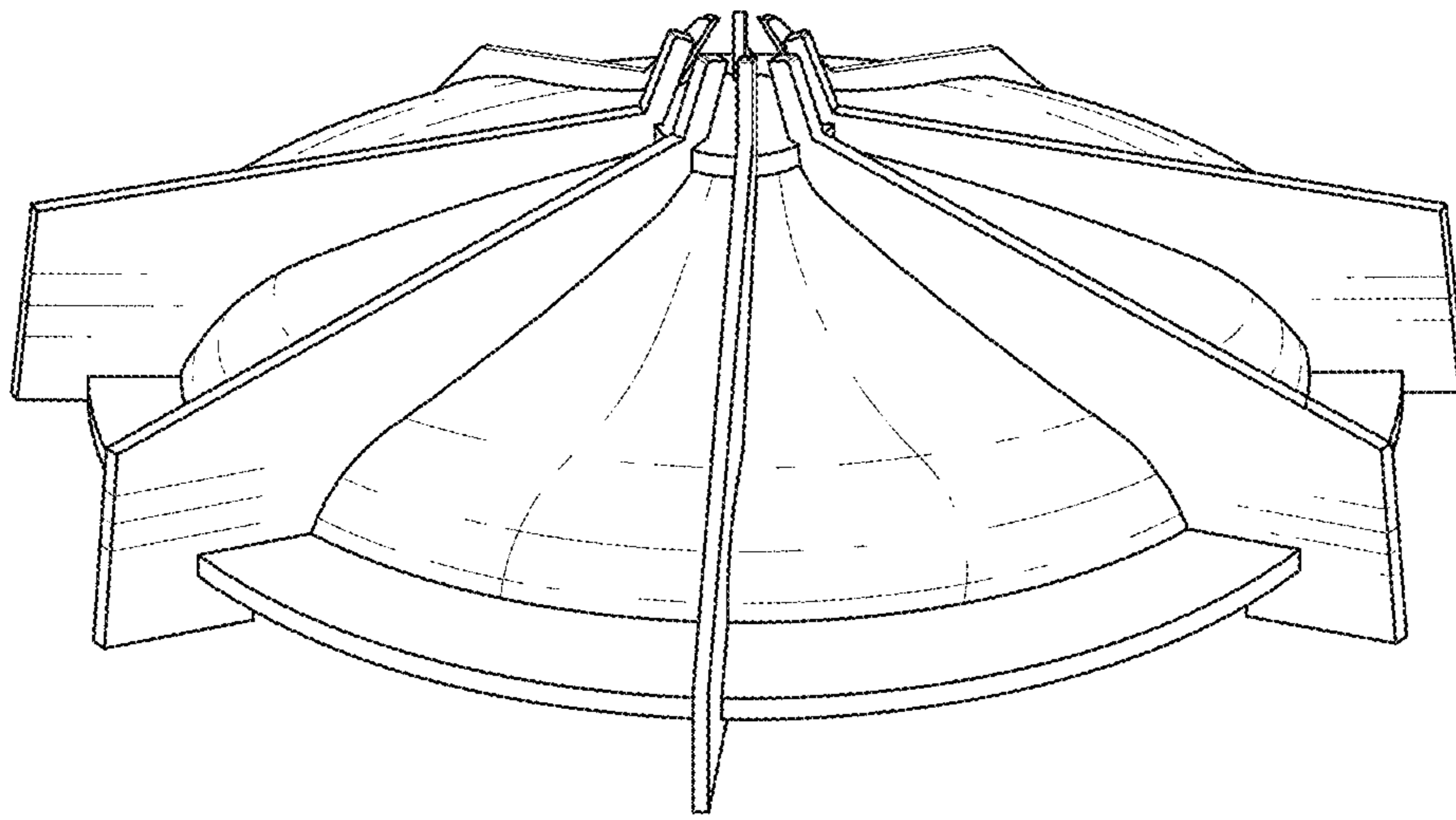


FIG. 5

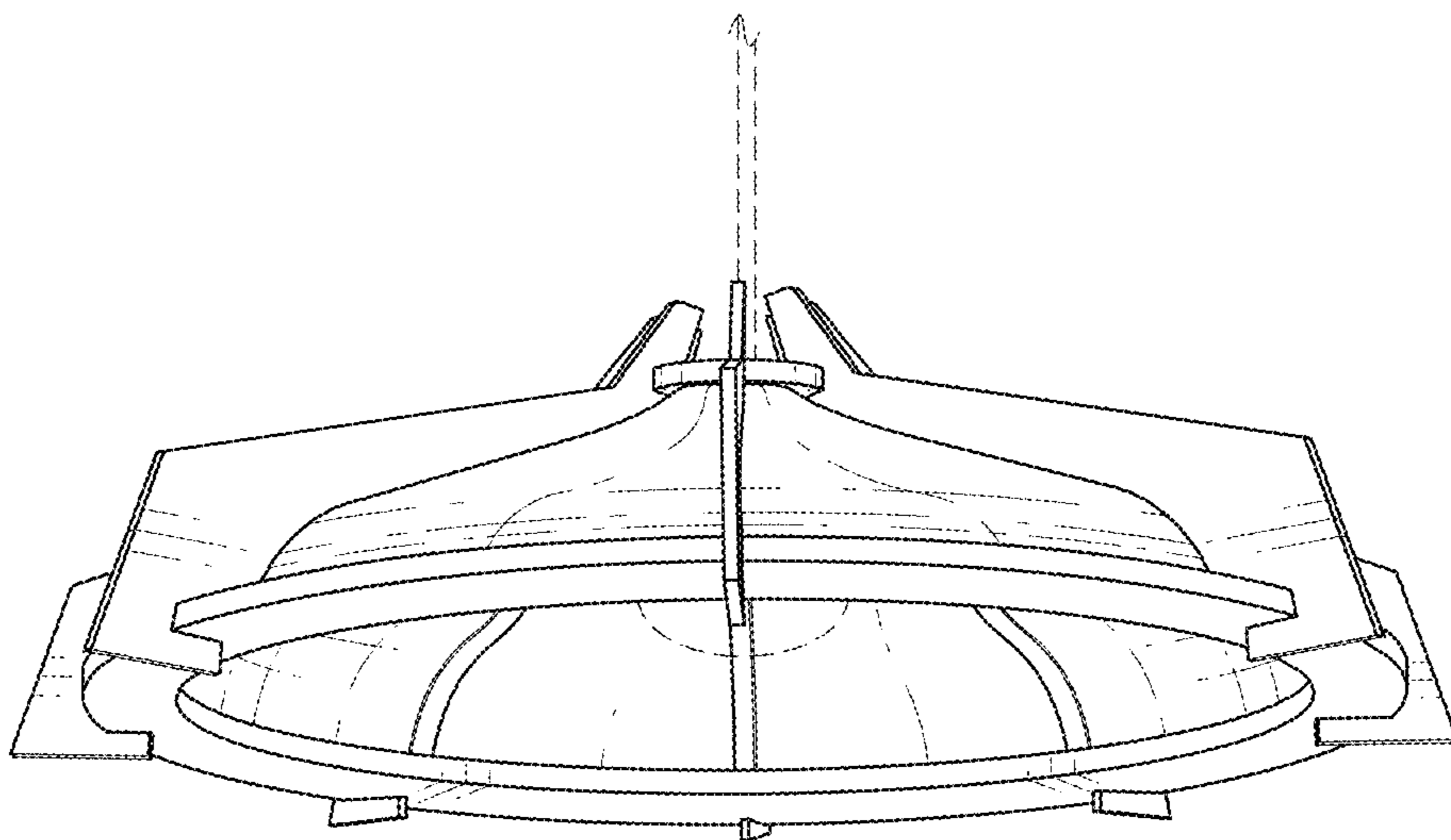


FIG. 6

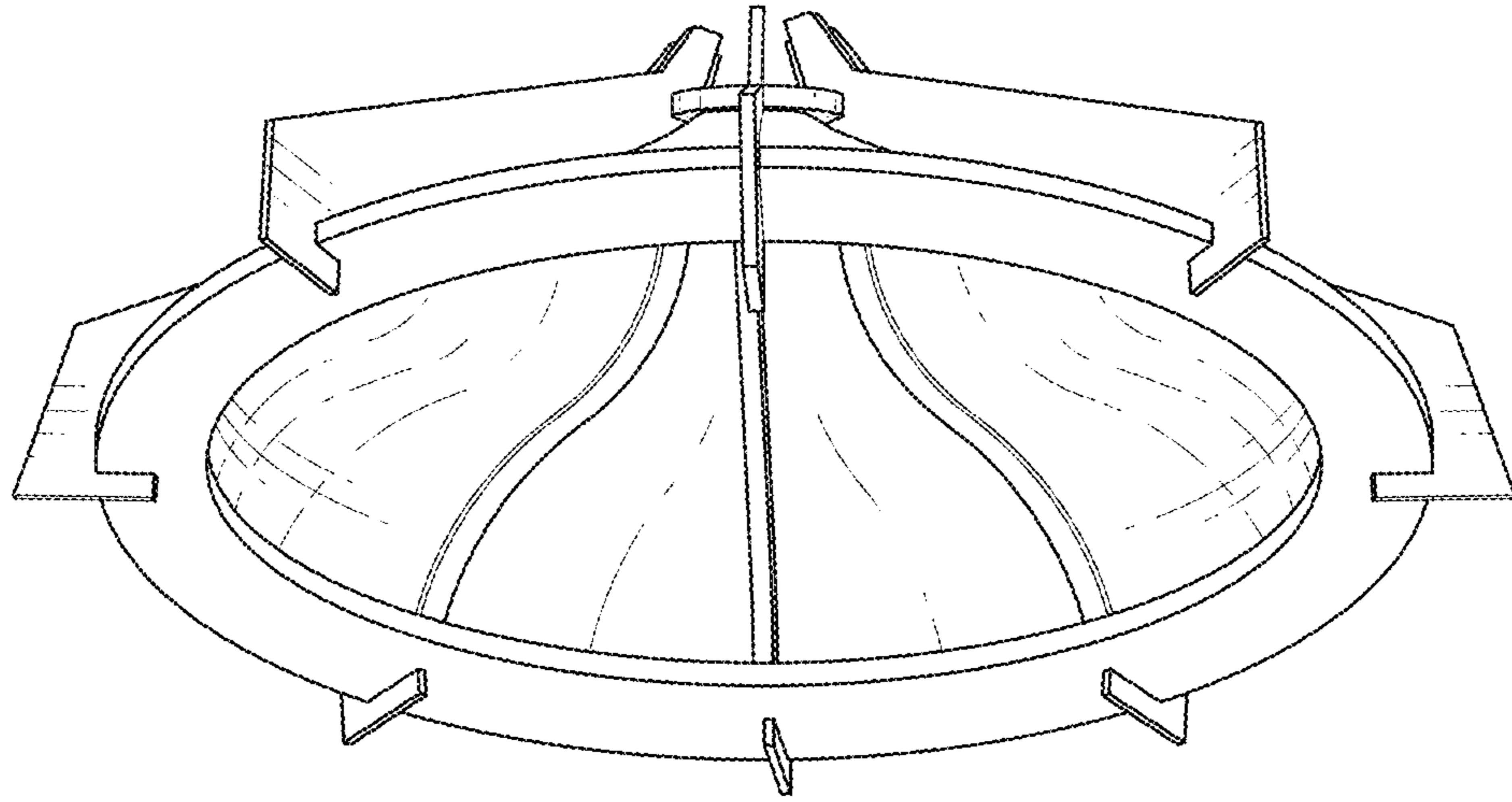


FIG. 7

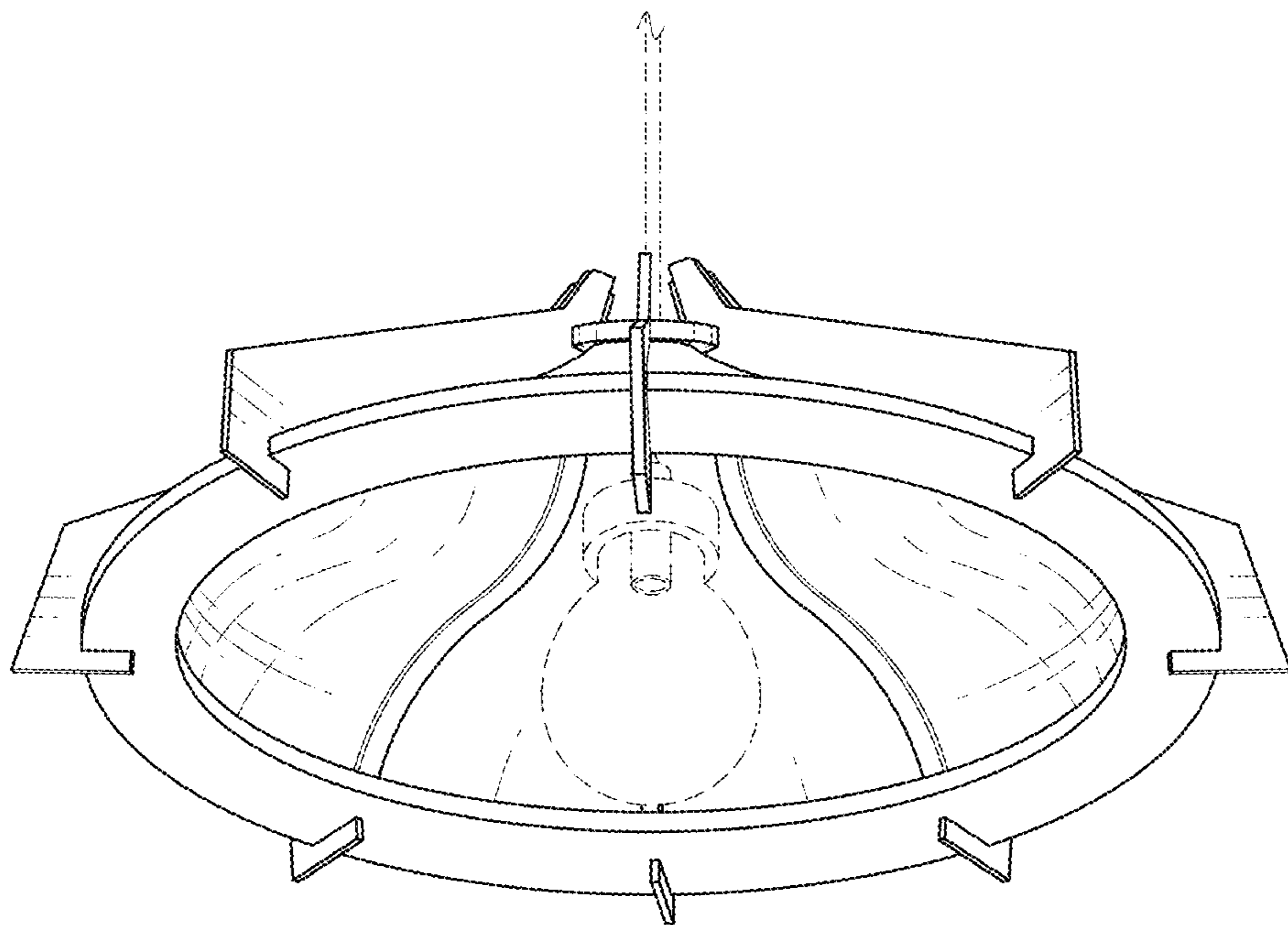


FIG. 8