



US00D790750S

(12) **United States Design Patent** (10) **Patent No.:** **US D790,750 S**
Xiao (45) **Date of Patent:** **** Jun. 27, 2017**

(54) **LED TABLE LAMP**
(71) Applicant: **Gang Xiao**, Guangdong (CN)
(72) Inventor: **Gang Xiao**, Guangdong (CN)
(**) Term: **15 Years**
(21) Appl. No.: **29/562,023**
(22) Filed: **Apr. 21, 2016**

D759,289 S * 6/2016 Newhouse D26/107
D776,860 S * 1/2017 Rashid D26/107
D785,232 S * 4/2017 Qin D26/107

* cited by examiner

Primary Examiner — Brian N Vinson
(74) *Attorney, Agent, or Firm* — Schmeiser, Olsen & Watts, LLP

(30) **Foreign Application Priority Data**

Oct. 23, 2015 (CN) 2015 3 0412746

(51) **LOC (10) Cl.** **26-03**

(52) **U.S. Cl.**
USPC **D26/107**

(58) **Field of Classification Search**
USPC D26/1, 24, 93, 104, 106, 107, 109, 110,
D26/62
CPC F21S 6/00; F21S 6/043; F21S 8/08; F21V
21/00; F21V 21/02; F21W 2121/00;
F21W 2131/30
See application file for complete search history.

(56) **References Cited**

U.S. PATENT DOCUMENTS

D589,642 S * 3/2009 Chen D26/107
D728,845 S * 5/2015 Huang D26/107

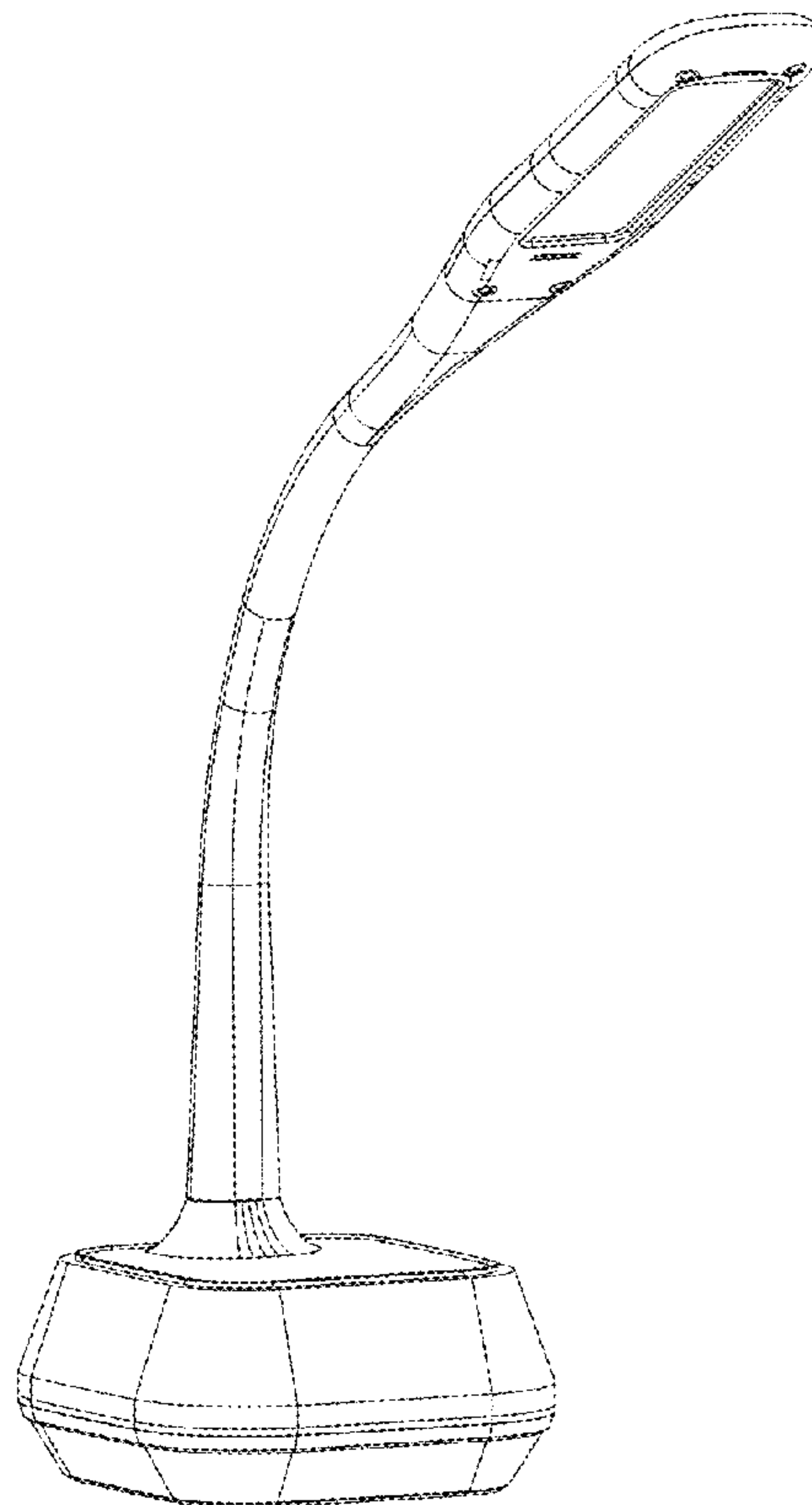
(57) **CLAIM**

The ornamental design for LED table lamp, as shown and described.

DESCRIPTION

FIG. 1 is a front, and left side perspective view of a LED table lamp showing my new design;
FIG. 2 is a front view thereof;
FIG. 3 is a rear view thereof;
FIG. 4 is a left side view thereof;
FIG. 5 is a right side view thereof;
FIG. 6 is a top view thereof; and,
FIG. 7 is a bottom view thereof.

1 Claim, 7 Drawing Sheets



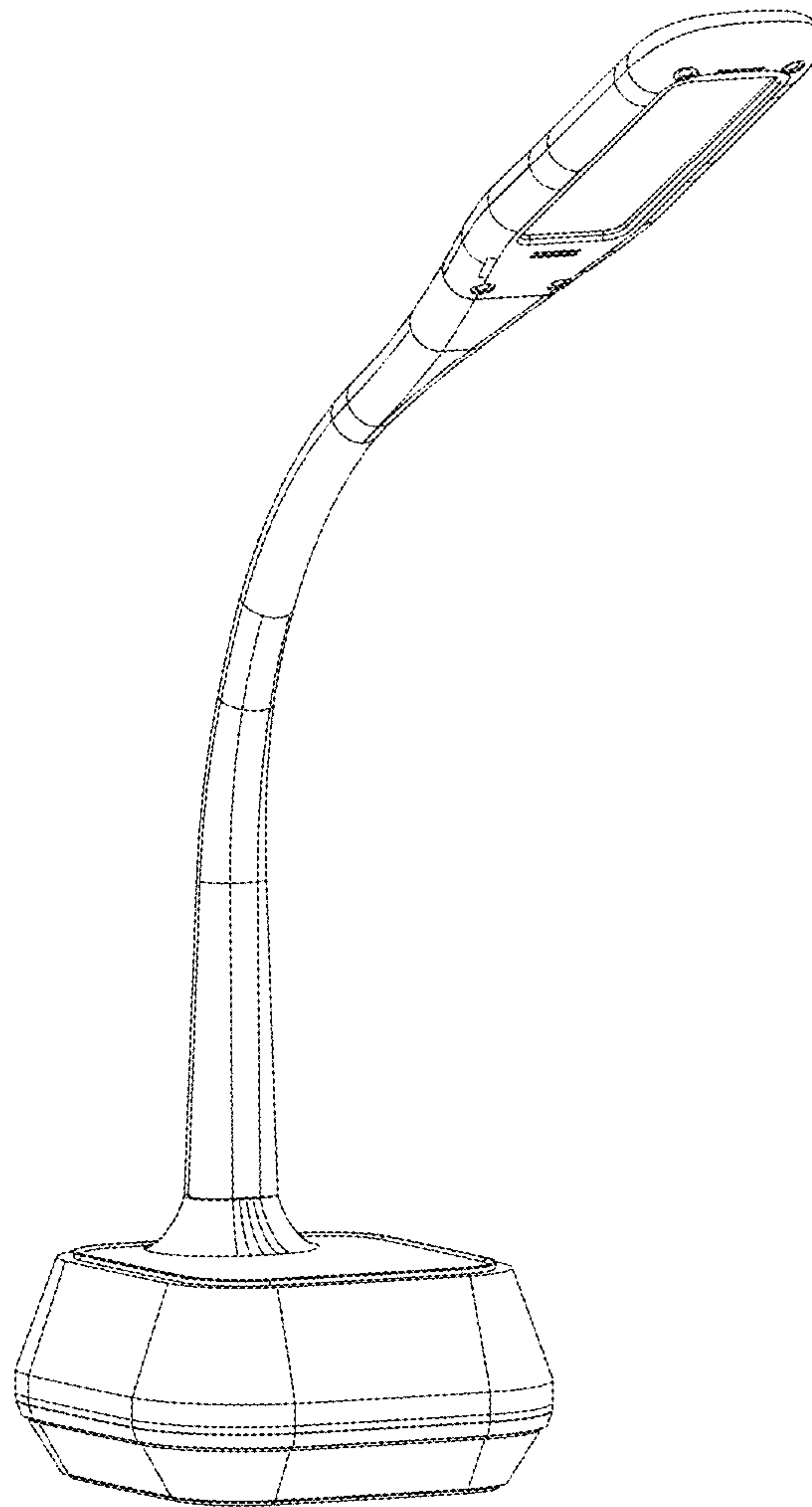


Figure 1

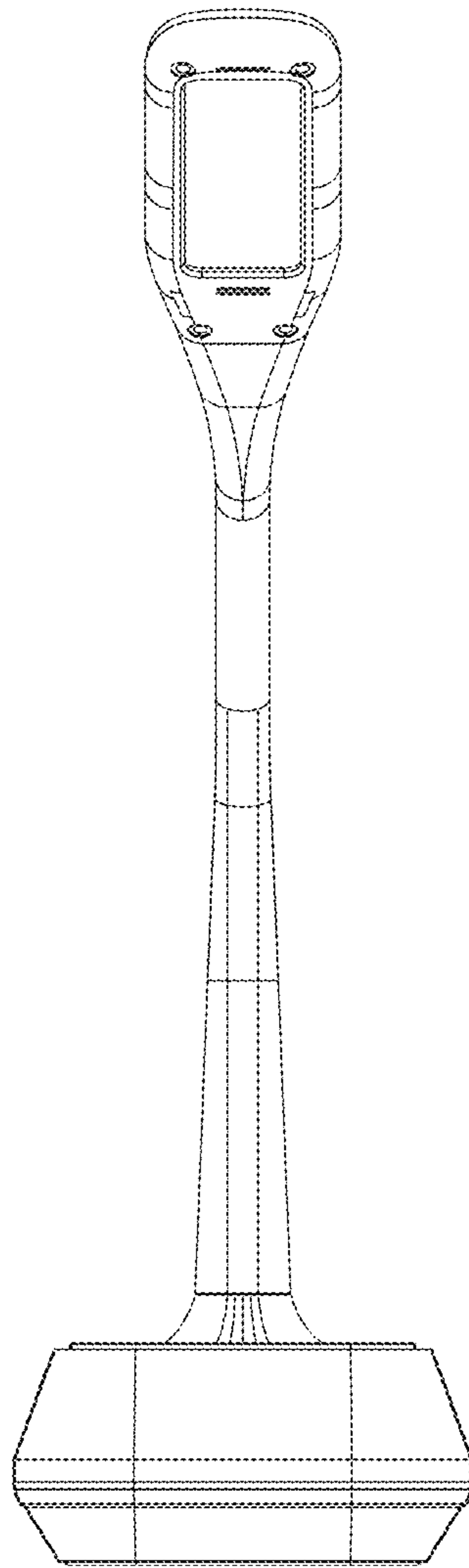


Figure 2

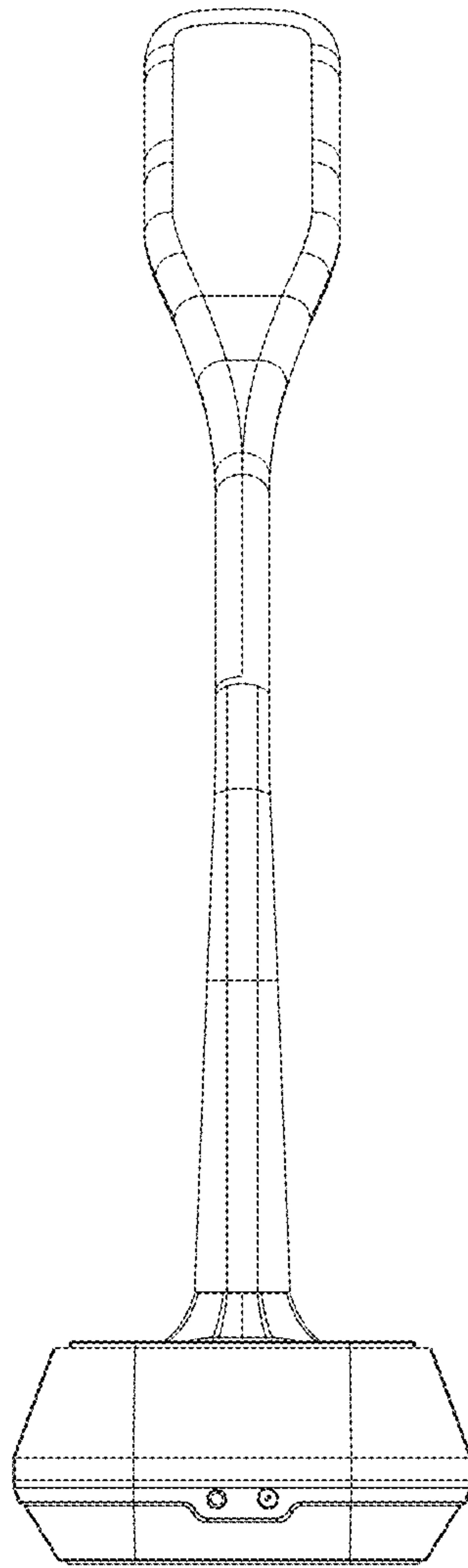


Figure 3

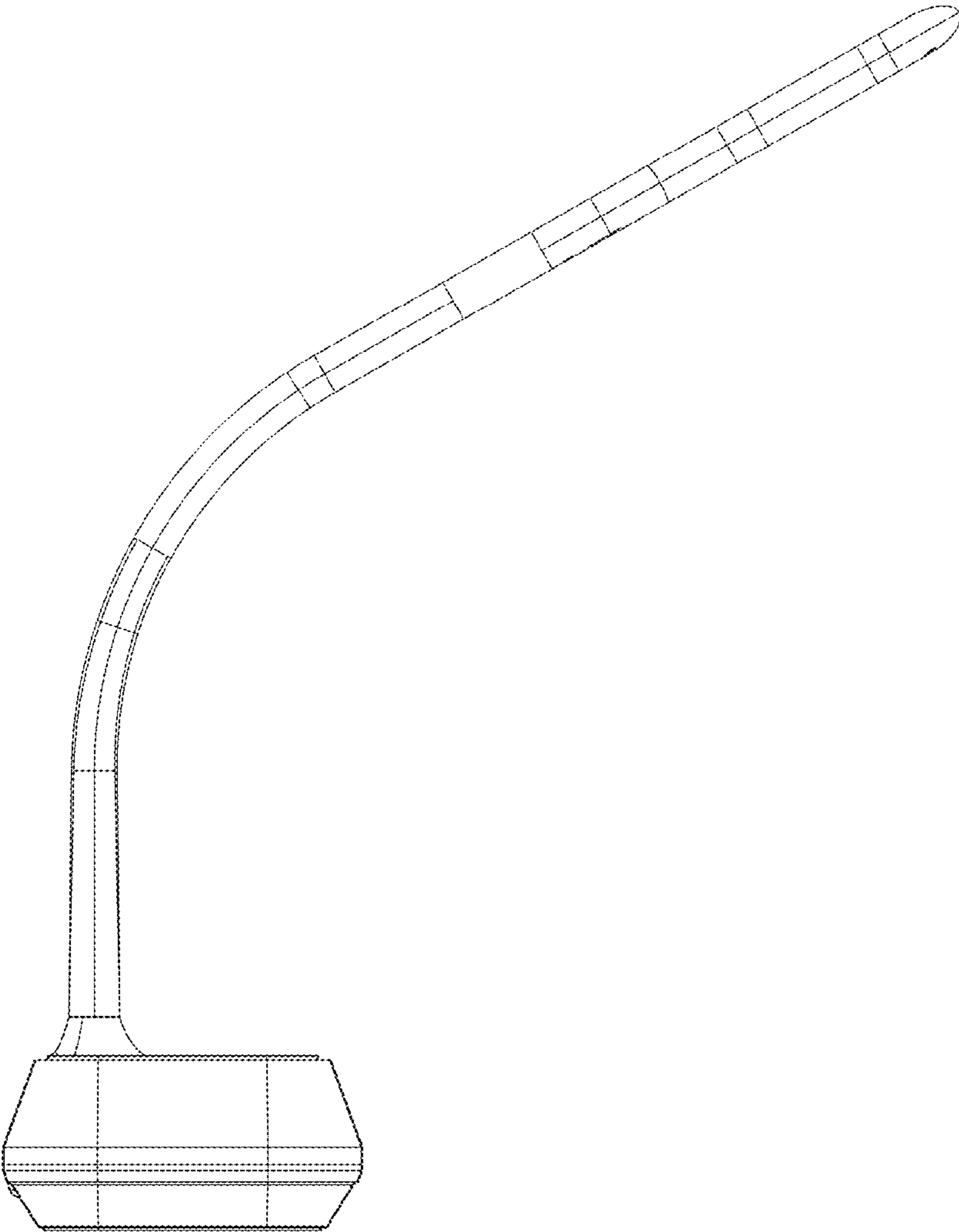


Figure 4

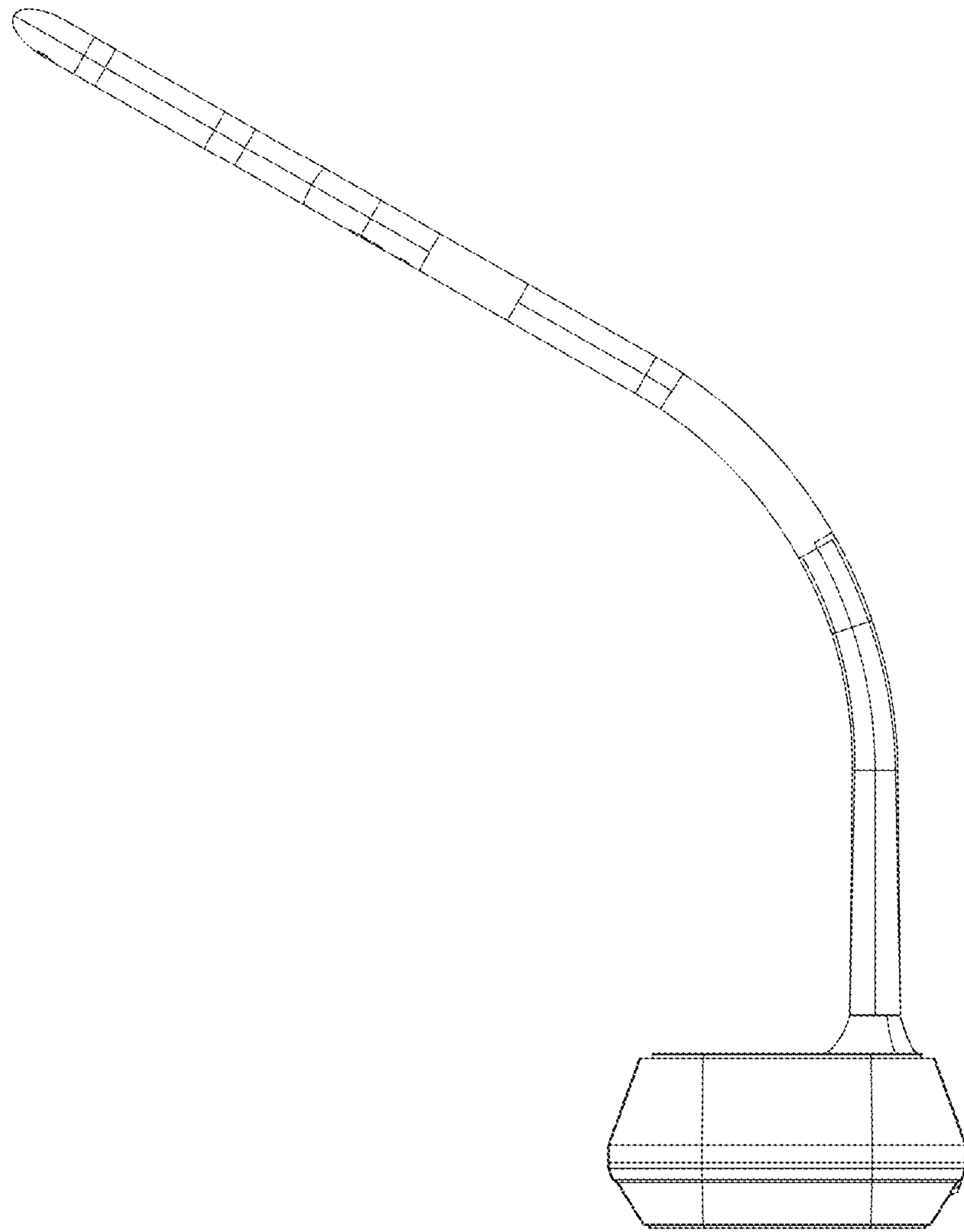


Figure 5

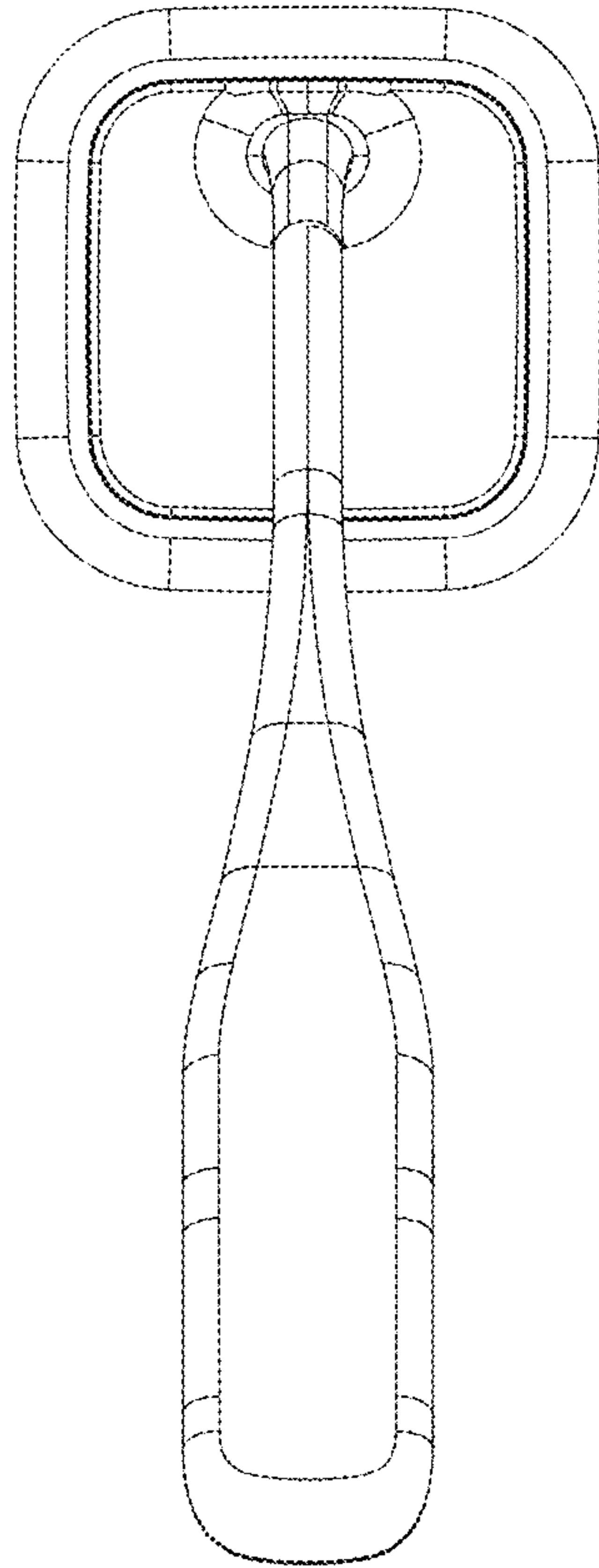


Figure 6

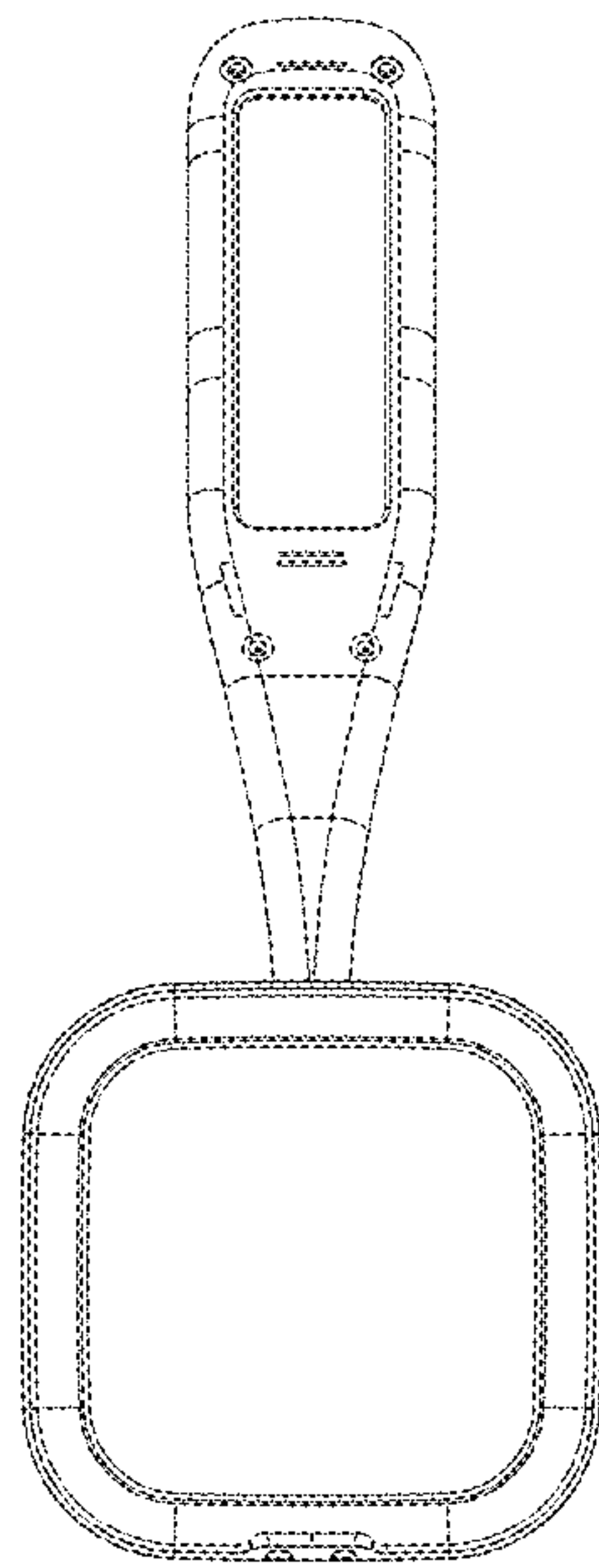


Figure 7