

US00D790748S

(12) **United States Design Patent** (10) **Patent No.:** **US D790,748 S**
Starck (45) **Date of Patent:** **** Jun. 27, 2017**

(54) **TABLE LAMP**
(71) Applicant: **FLOS S.P.A.**, Bovezzo (Brescia) (IT)
(72) Inventor: **Philippe Starck**, Brescia (IT)
(73) Assignee: **FLOS S.p.A.**, Brescia (IT)
(**) Term: **15 Years**
(21) Appl. No.: **35/500,421**
(22) Filed: **Oct. 5, 2015**
(80) **Hague Agreement Data**
Int. Filing Date: **Oct. 5, 2015**
Int. Reg. No.: **DM/088638**
Int. Reg. Date: **Oct. 5, 2015**
Int. Reg. Pub. Date: **Dec. 25, 2015**

D337,848 S 7/1993 Meck
D345,813 S 4/1994 Huang
D348,952 S 7/1994 Drucker
D356,052 S 3/1995 Andrau
D359,142 S 6/1995 Thun
D364,287 S 11/1995 Jurasinski
D368,547 S 4/1996 Chen
D385,641 S 10/1997 Chan
D387,921 S 12/1997 Shields
D390,990 S 2/1998 Yang
D391,004 S 2/1998 Porter
D401,004 S 11/1998 Eusterbrock
D412,593 S 8/1999 Lin
D413,999 S * 9/1999 Diaz-Azcuy D26/110
D414,289 S * 9/1999 Diaz-Azcuy D26/110
D426,667 S 6/2000 Kaviani
D429,658 S 8/2000 Biagi
D447,649 S * 9/2001 Mason D6/708

(Continued)

OTHER PUBLICATIONS

U.S. Appl. No. 35/500,425, filed Oct. 5, 2015, Philippe Starck.
(Continued)

(30) **Foreign Application Priority Data**
Apr. 7, 2015 (IT) BS2015O0015
(51) **LOC (10) Cl.** **26-03**
(52) **U.S. Cl.**
USPC **D26/93**
(58) **Field of Classification Search**
USPC D26/93, 124, 110, 107, 142, 61, 36;
D6/708, 692.3; D16/237; D13/108;
D34/35
See application file for complete search history.

Primary Examiner — Rhea Shields
(74) *Attorney, Agent, or Firm* — Thomas | Horstemeyer,
LLP

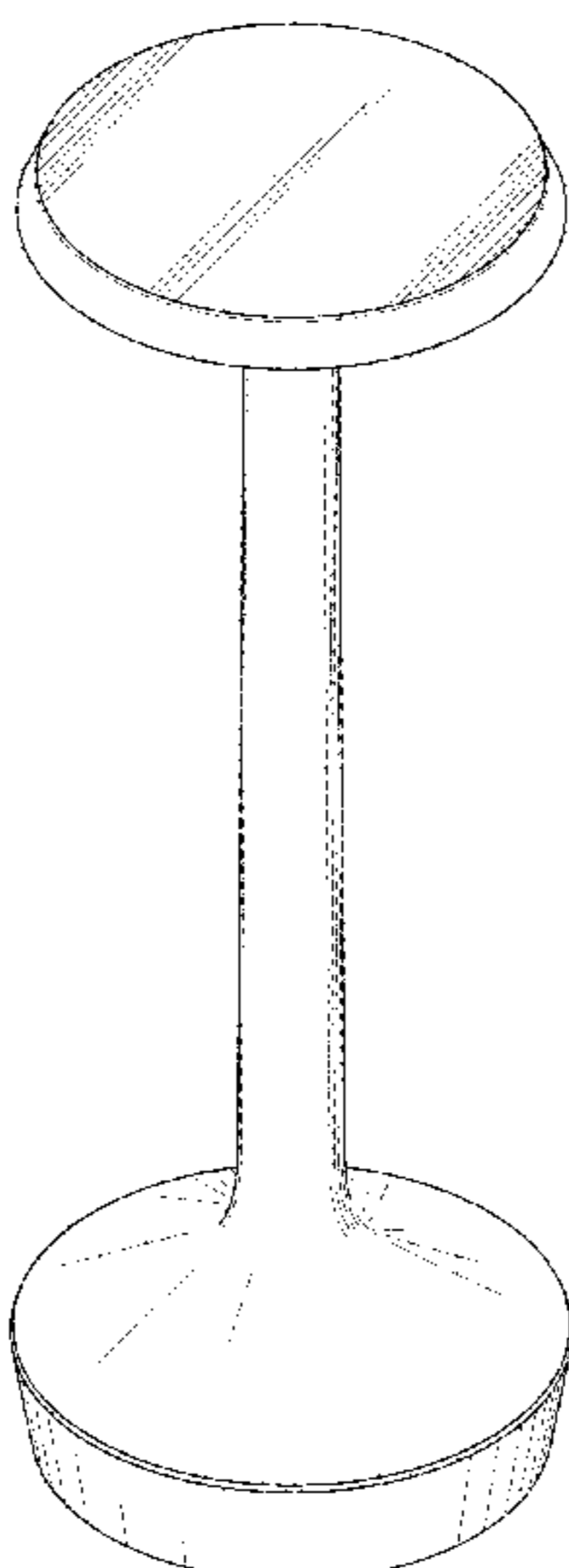
(57) **CLAIM**

The ornamental design for a table lamp, as shown and described.

DESCRIPTION

1.1 is a top perspective view;
1.2 is a bottom perspective view;
1.3 is a side view;
1.4 is side view;
1.5 is a top view; and
1.6 is bottom view.
The broken lines shown in the drawings illustrate portions of the table lamp that form no part of the claimed design.

1 Claim, 6 Drawing Sheets



(56)

References Cited

U.S. PATENT DOCUMENTS

6,419,649 B1 7/2002 Klein
 D465,878 S * 11/2002 Hsu D26/110
 D473,595 S 4/2003 Fisher
 D480,827 S 10/2003 Hsieh
 D484,636 S 12/2003 Hsieh
 D489,637 S 5/2004 Zavilenski
 D496,181 S 9/2004 Maness
 D509,018 S 8/2005 Barbata
 D509,019 S 8/2005 Castro
 D512,175 S 11/2005 Santachiara
 D525,739 S 7/2006 Wu
 D543,732 S 6/2007 Alter Molina
 D556,938 S 12/2007 Russello
 D560,025 S * 1/2008 Shulem D26/142
 D560,026 S * 1/2008 Shulem D26/142
 D564,263 S 3/2008 D'Onofrio
 D570,030 S 5/2008 Starck
 D571,575 S 6/2008 Hunter
 D588,302 S * 3/2009 Chen D26/93
 D590,092 S 4/2009 Starck
 D602,990 S 10/2009 Magera
 D604,454 S 11/2009 Majidi
 D606,236 S 12/2009 Sabernig
 D610,739 S 2/2010 Jourdan
 D611,185 S 3/2010 Jourdan
 D611,737 S 3/2010 Miller
 D612,564 S 3/2010 Comley
 D625,039 S * 10/2010 Citterio D26/93
 D629,633 S 12/2010 Aldred
 D641,903 S * 7/2011 Nam D26/61
 D646,837 S 10/2011 Yu
 D650,510 S * 12/2011 Jensen D26/93
 D652,555 S 1/2012 Palese
 D662,648 S * 6/2012 Whiting D26/36
 D670,424 S 11/2012 Lee
 D671,772 S * 12/2012 Lee D6/692.3
 D673,703 S * 1/2013 Davies D26/36

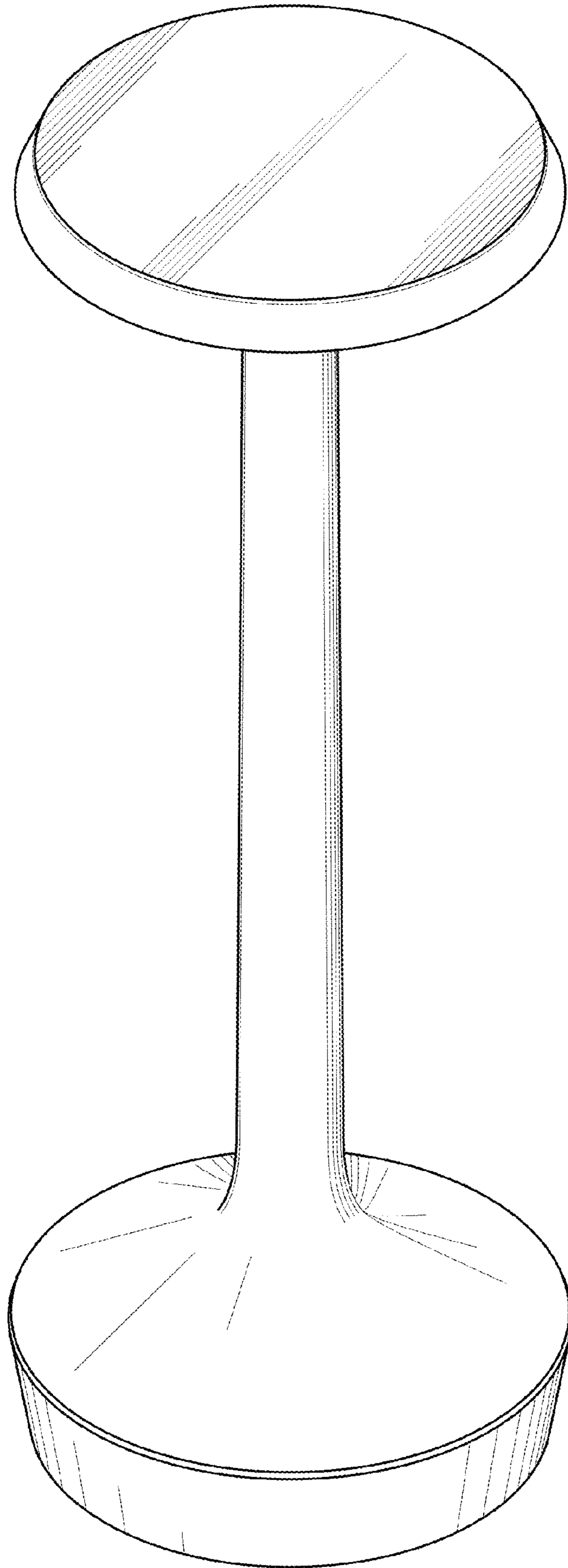
D681,867 S * 5/2013 Wegger D26/124
 D683,975 S 6/2013 Starck
 D696,883 S 1/2014 Krusin
 D697,341 S 1/2014 Fakahany
 D707,877 S 6/2014 Turner
 D708,541 S 7/2014 Norendzayan
 D710,631 S 8/2014 Pirayesh
 D719,749 S 12/2014 Hernandez
 D736,986 S 8/2015 Hadrath
 D738,562 S * 9/2015 Ellis D26/110
 D739,070 S 9/2015 Wilson
 D739,167 S 9/2015 Barber
 D740,253 S 10/2015 Jeon
 D741,536 S * 10/2015 Ellis D26/110
 D743,293 S 11/2015 Weems
 D744,453 S 12/2015 Ryu
 D747,229 S 1/2016 Perez
 D750,314 S 2/2016 Hobson
 D751,246 S 3/2016 Yao
 D761,484 S 7/2016 Laukkanen
 D762,764 S 8/2016 Wilk
 D763,499 S 8/2016 Lee
 D765,904 S * 9/2016 Pouzet D26/110
 D766,493 S * 9/2016 Hoshikawa D26/107
 D766,494 S 9/2016 Hoshikawa
 D766,823 S 9/2016 Wahl

OTHER PUBLICATIONS

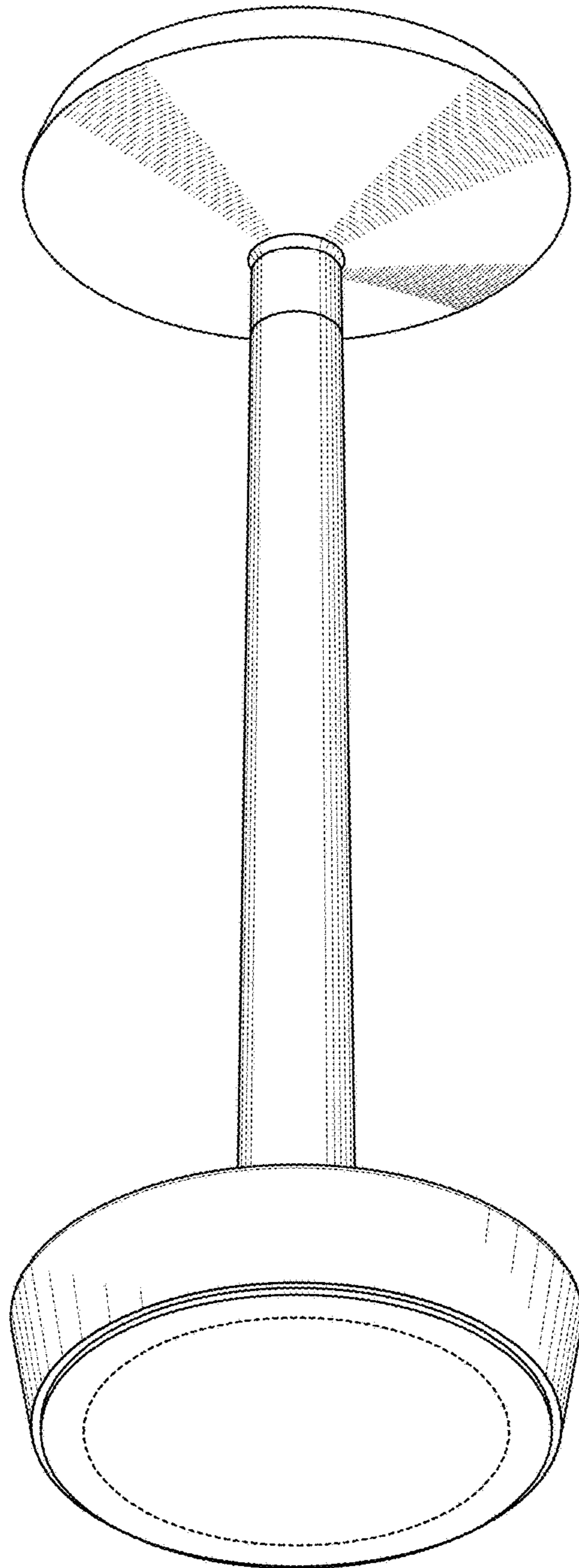
U.S. Appl. No. 35/500,418, filed Oct. 5, 2015, Philippe Starck.
 U.S. Appl. No. 35/500,416, filed Oct. 5, 2015, Philippe Starck.
 U.S. Appl. No. 35/500,420, filed Oct. 5, 2015, Philippe Starck.
 U.S. Appl. No. 35/500,422, filed Oct. 5, 2015, Philippe Starck.
 U.S. Appl. No. 35/500,424, filed Oct. 5, 2015, Philippe Starck.
 U.S. Appl. No. 35/500,417, filed Oct. 5, 2015, Philippe Starck.
 U.S. Appl. No. 35/500,414, filed Oct. 5, 2015, Philippe Starck.
 U.S. Appl. No. 35/500,421, filed Oct. 5, 2015, Philippe Starck.

* cited by examiner

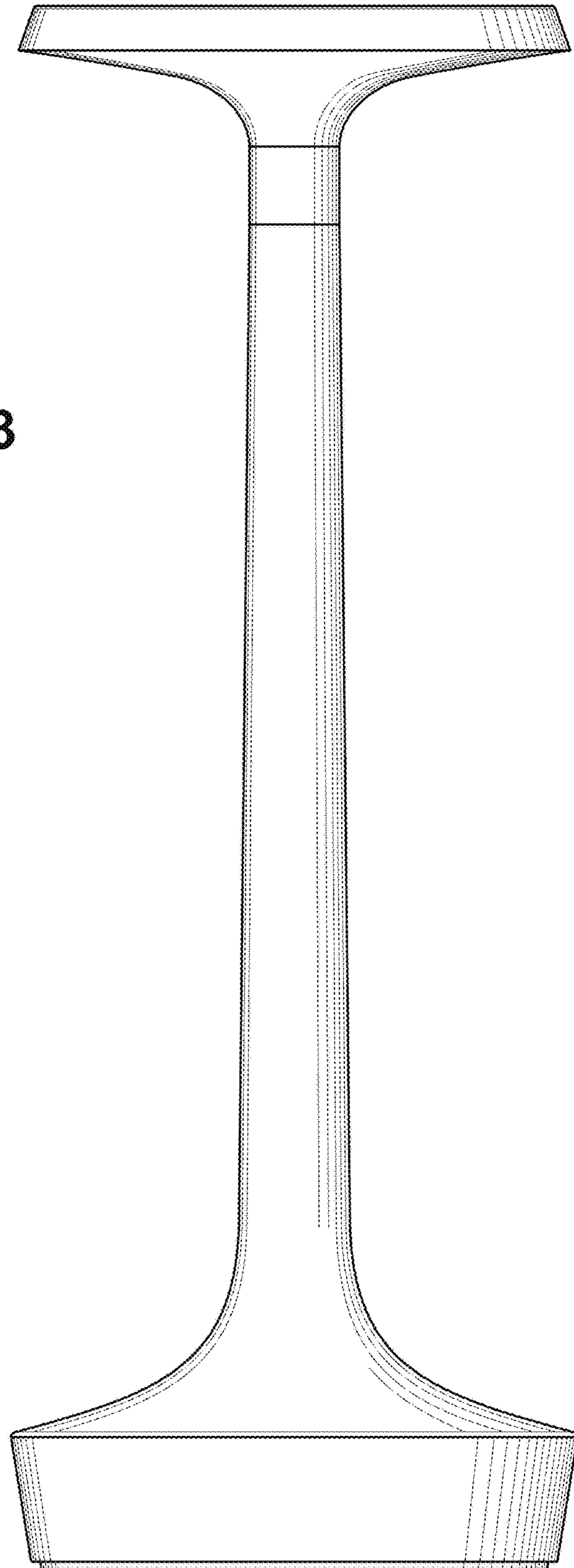
1.1



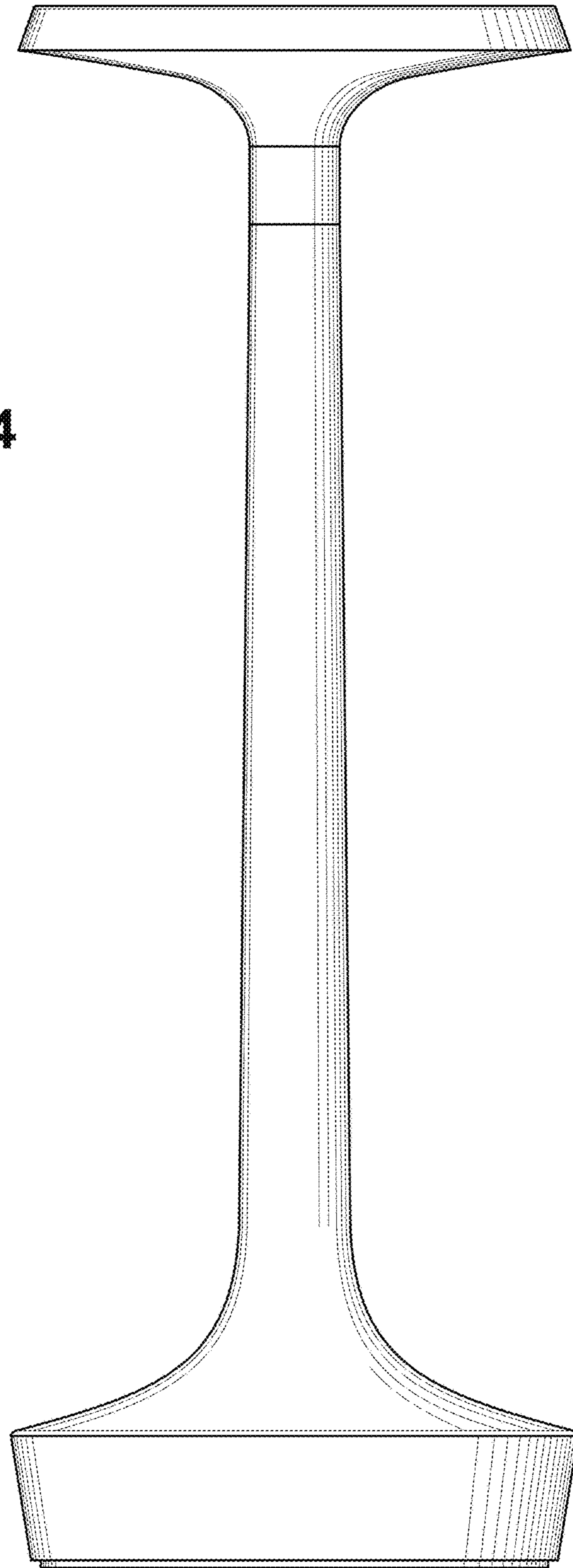
1.2

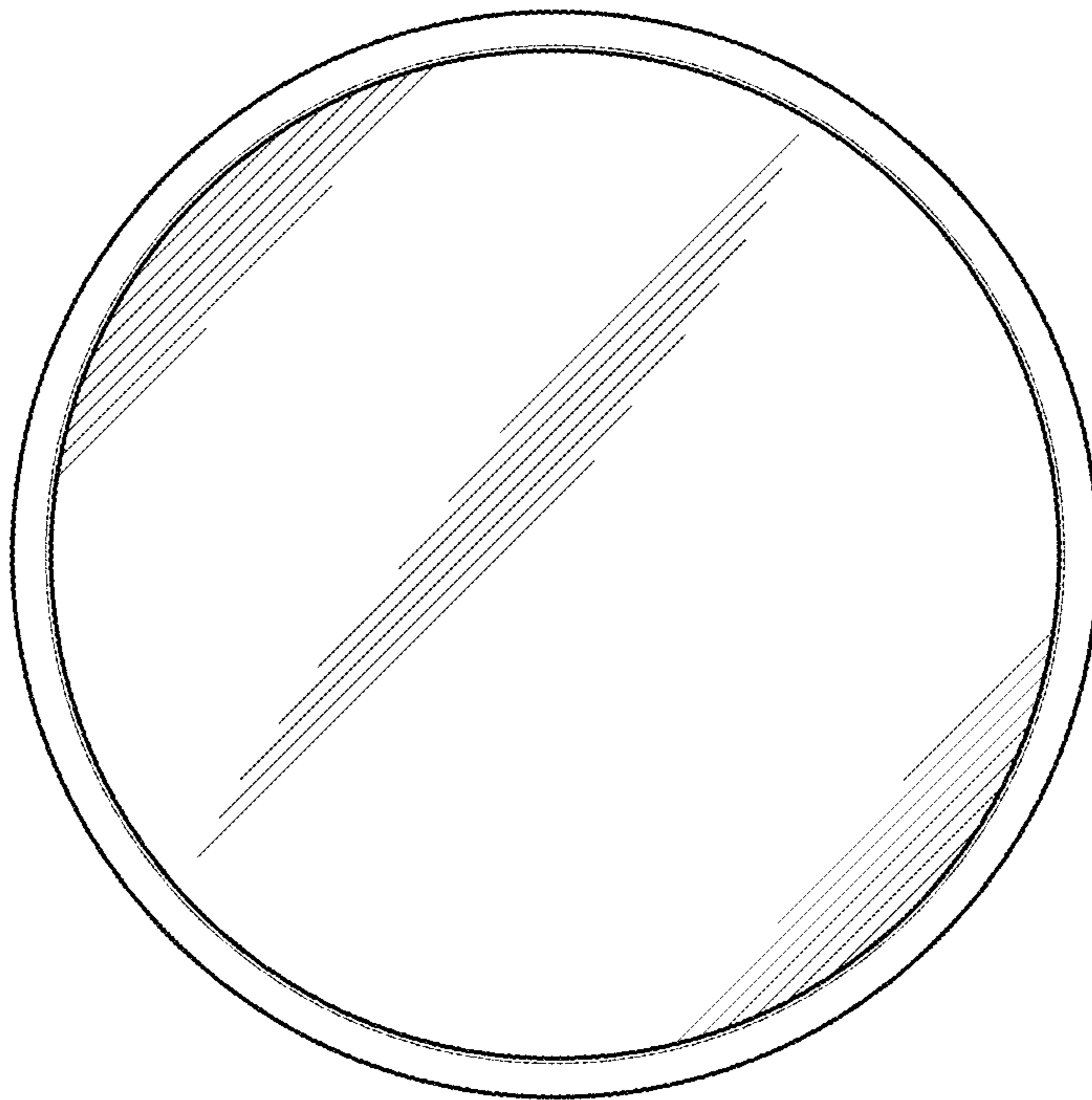


1.3

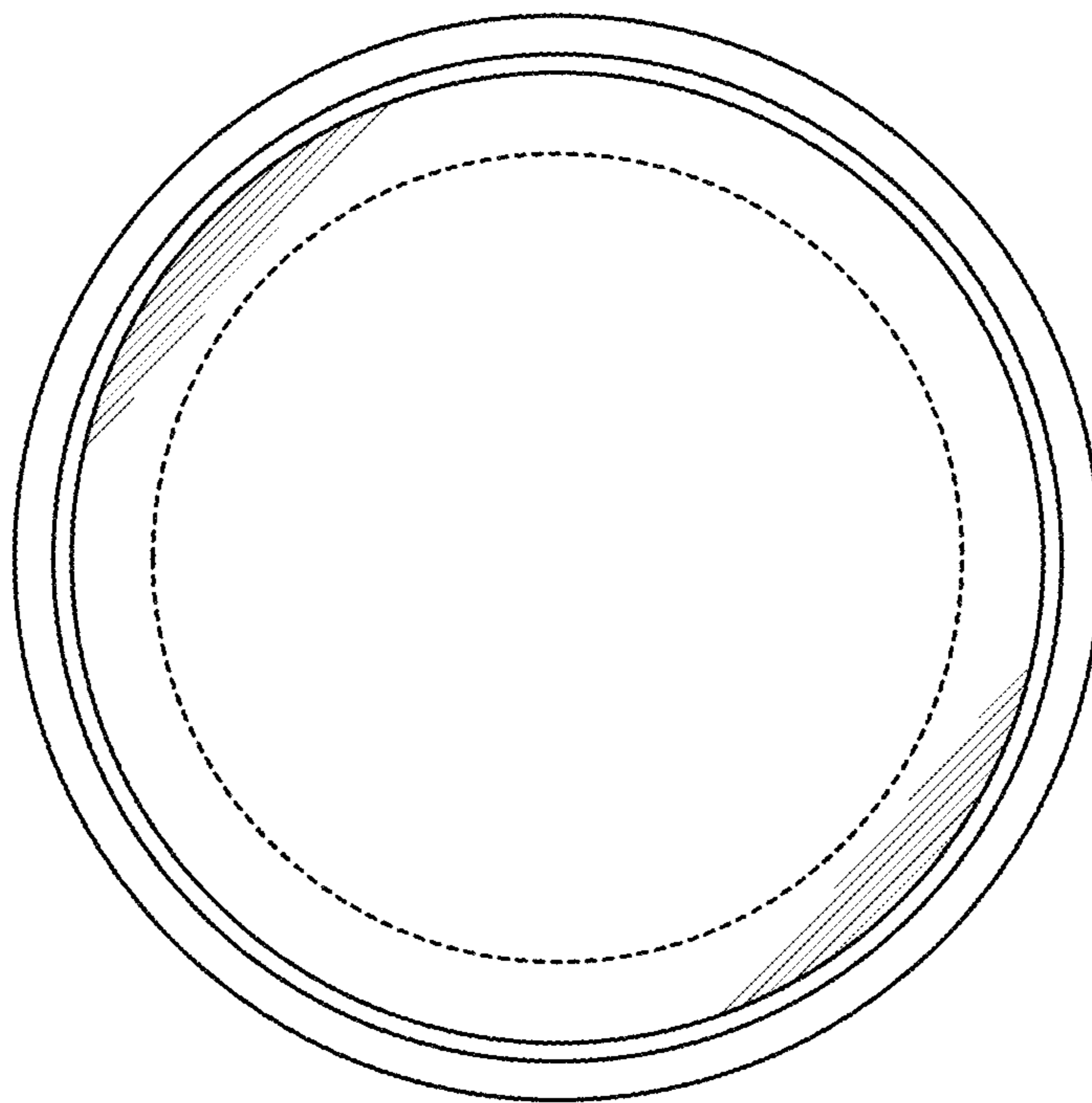


1.4





1.5



1.6

UNITED STATES PATENT AND TRADEMARK OFFICE
CERTIFICATE OF CORRECTION

PATENT NO. : D790,748 S
APPLICATION NO. : 35/500421
DATED : June 27, 2017
INVENTOR(S) : Philippe Starck

Page 1 of 1

It is certified that error appears in the above-identified patent and that said Letters Patent is hereby corrected as shown below:

On the Title Page

Item (30) Foreign Application Priority Data: change "BS2015O0015" to -- BS2015O000015 --.

Signed and Sealed this
Nineteenth Day of September, 2017



Joseph Matal
*Performing the Functions and Duties of the
Under Secretary of Commerce for Intellectual Property and
Director of the United States Patent and Trademark Office*