



US00D790747S

(12) **United States Design Patent**
Stathis et al.

(10) **Patent No.:** **US D790,747 S**
(45) **Date of Patent:** **** Jun. 27, 2017**

(54) **LIGHTING FIXTURE WITH PRIVACY PANELS**

(71) Applicants: **Peter Stathis**, The Sea Ranch, CA (US); **Michael McCoy**, Buena Vista, CO (US)

(72) Inventors: **Peter Stathis**, The Sea Ranch, CA (US); **Michael McCoy**, Buena Vista, CO (US)

(**) Term: **15 Years**

(21) Appl. No.: **29/564,218**

(22) Filed: **May 11, 2016**

(51) **LOC (10) Cl.** **26-03**

(52) **U.S. Cl.**
USPC **D26/93**

(58) **Field of Classification Search**
USPC D26/1, 24, 28, 88, 93, 94, 106, 110, 118
CPC F21S 6/00; F21S 6/002; F21V 3/00; F21W 2121/00; F21W 2131/00
See application file for complete search history.

(56) **References Cited**

U.S. PATENT DOCUMENTS

D309,028 S * 7/1990 Von Kohorn D26/24
D630,369 S * 1/2011 Shapiro D26/93
D774,683 S * 12/2016 Wang D26/93

* cited by examiner

Primary Examiner — Brian N Vinson
(74) *Attorney, Agent, or Firm* — PatentBest; Andrew McAleavey

(57) **CLAIM**

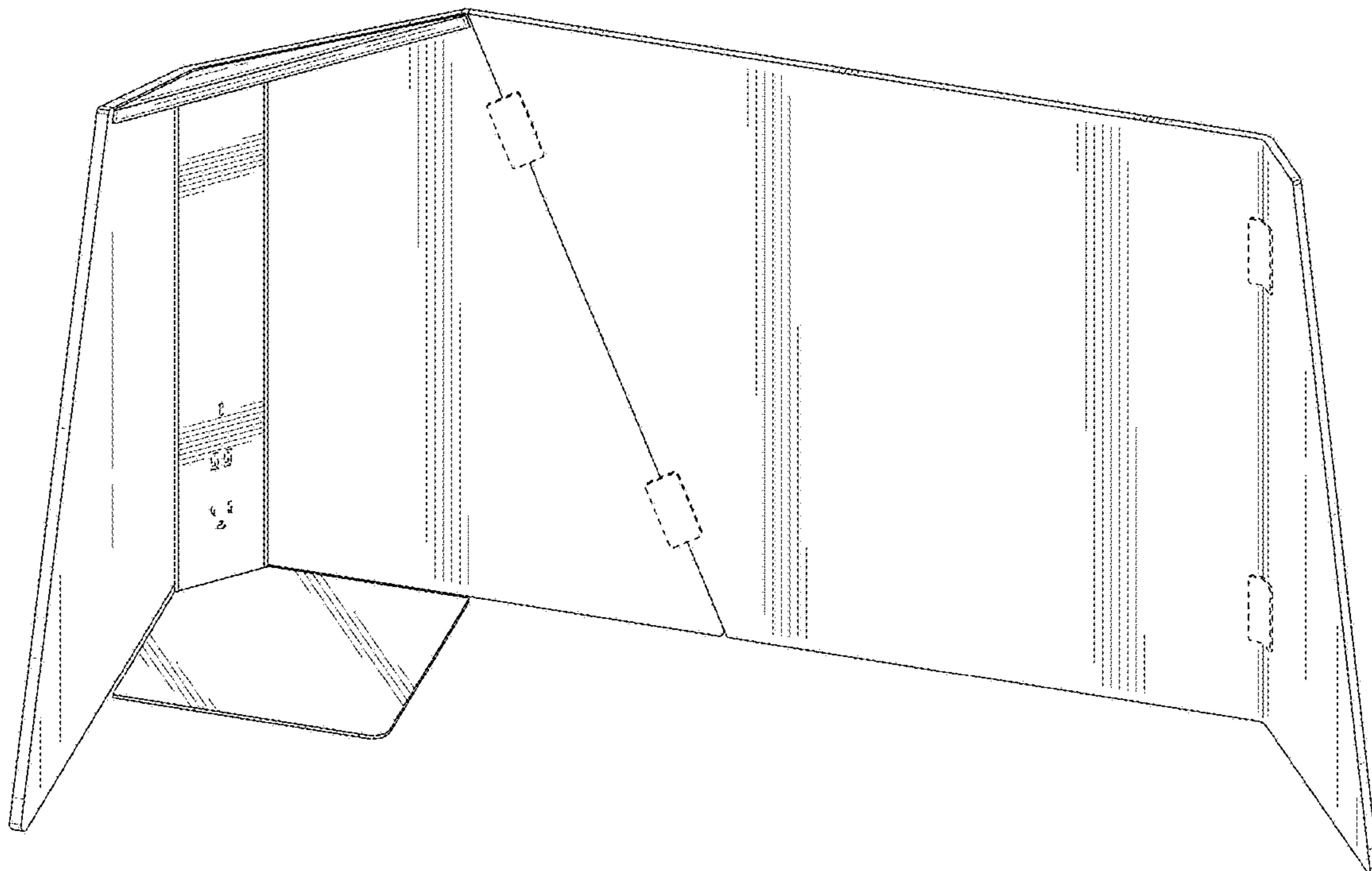
The ornamental design for a lighting fixture with privacy panels, as shown and described.

DESCRIPTION

FIG. 1 is a perspective view of a lighting fixture with privacy panels, illustrating my new design; FIG. 2 is a left side elevational view of the lighting fixture with privacy panels of FIG. 1; FIG. 3 is a right side elevational view of the lighting fixture with privacy panels of FIG. 1; FIG. 4 is a left side elevational view of the lighting fixture with privacy panels of FIG. 1; FIG. 5 is a right side elevational view of the lighting fixture with privacy panels of FIG. 1; FIG. 6 is a top view of the lighting fixture with privacy panels with privacy panels of FIG. 1; and, FIG. 7 is a bottom view of the lighting fixture with privacy panels of FIG. 1.

The broken lines immediately adjacent the shaded areas represent the bounds of the claimed design, while all other broken lines are directed to environment and are for illustrative purposes only; the broken lines form no part of the claimed design.

1 Claim, 7 Drawing Sheets



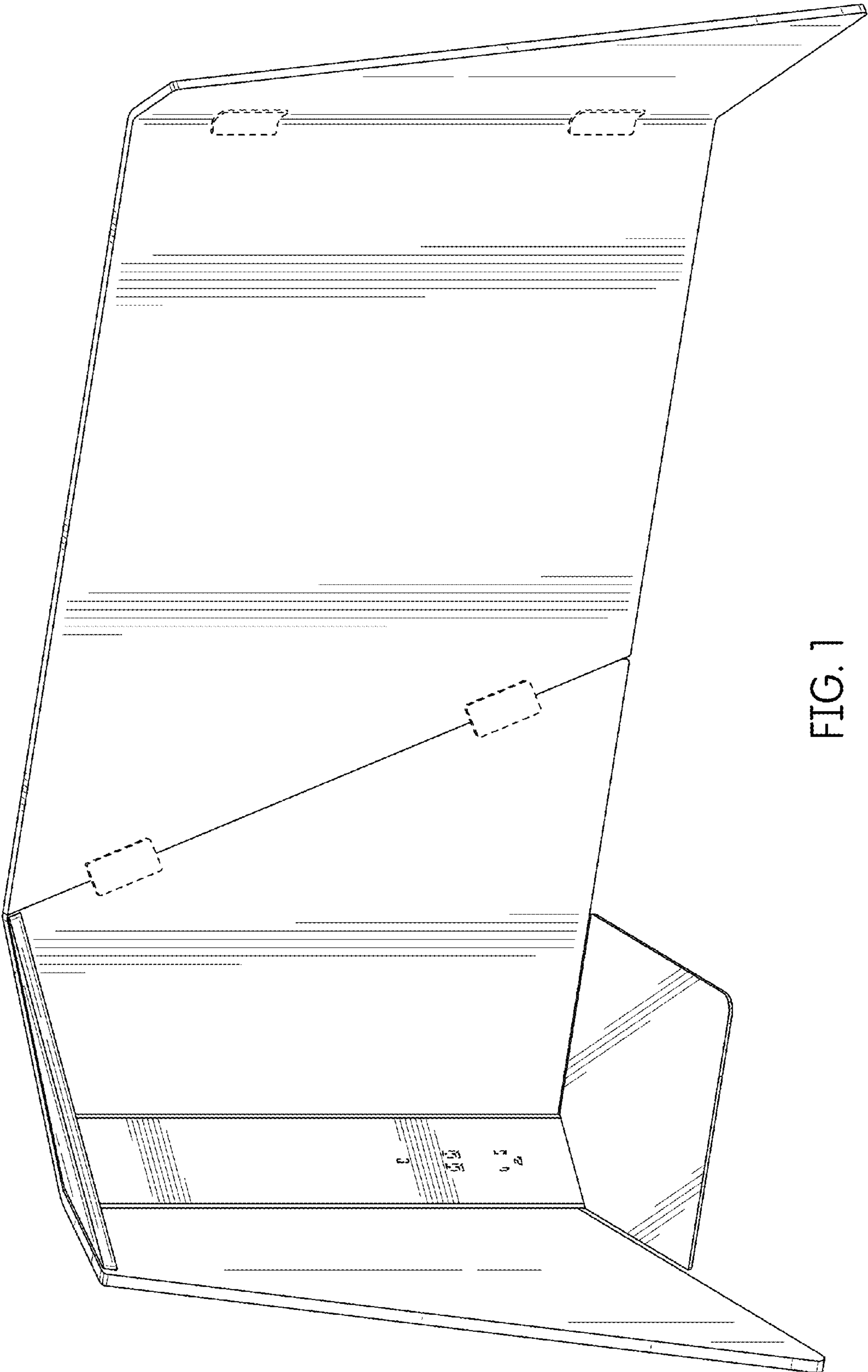


FIG. 1

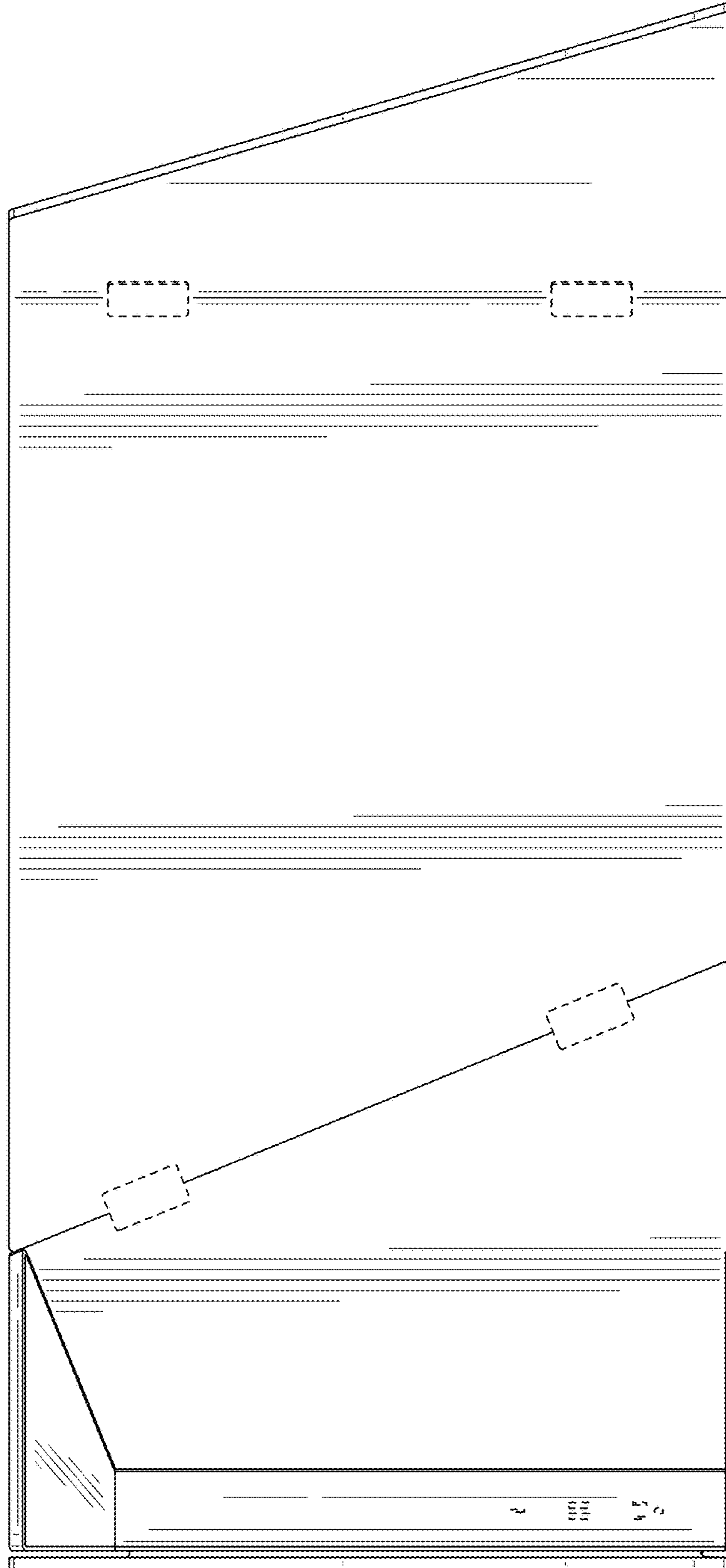


FIG. 2

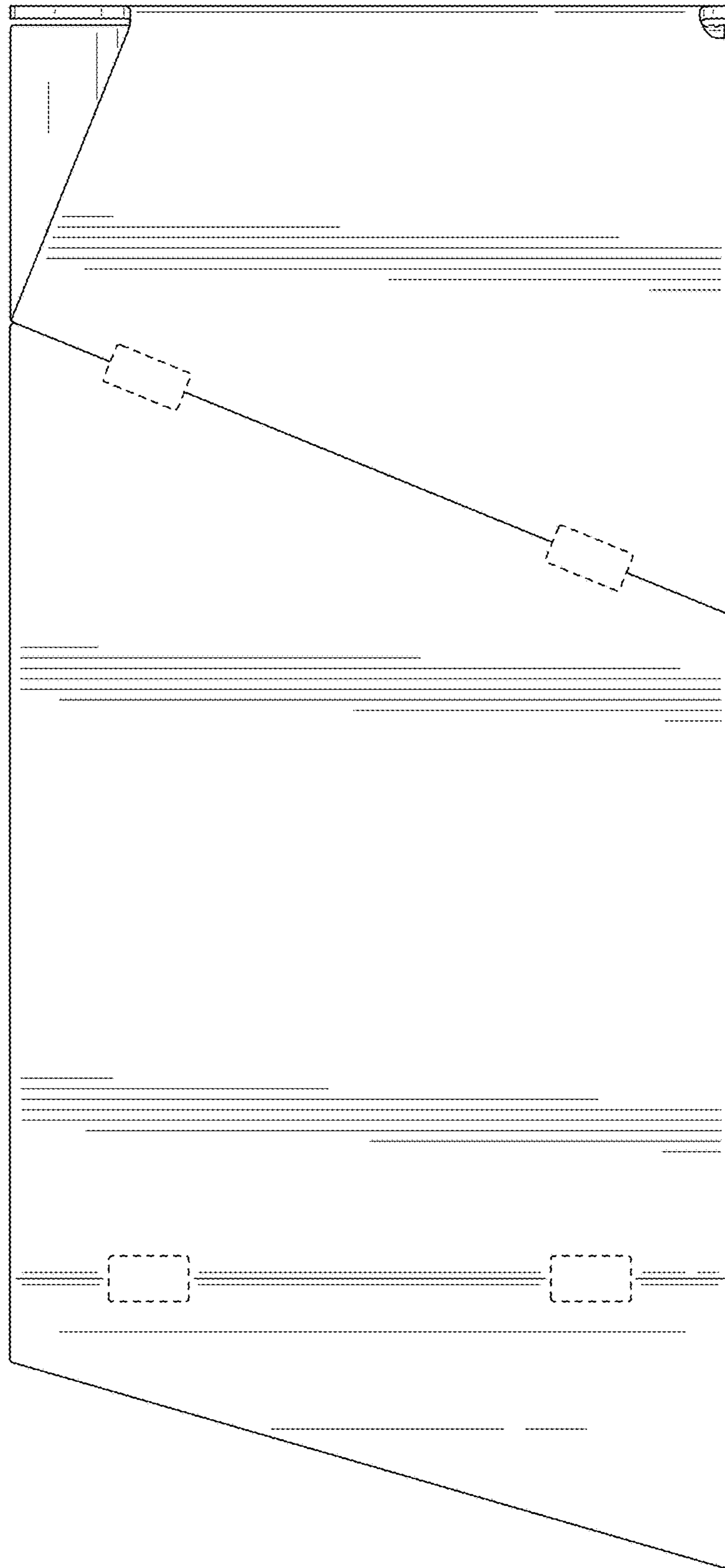


FIG. 3

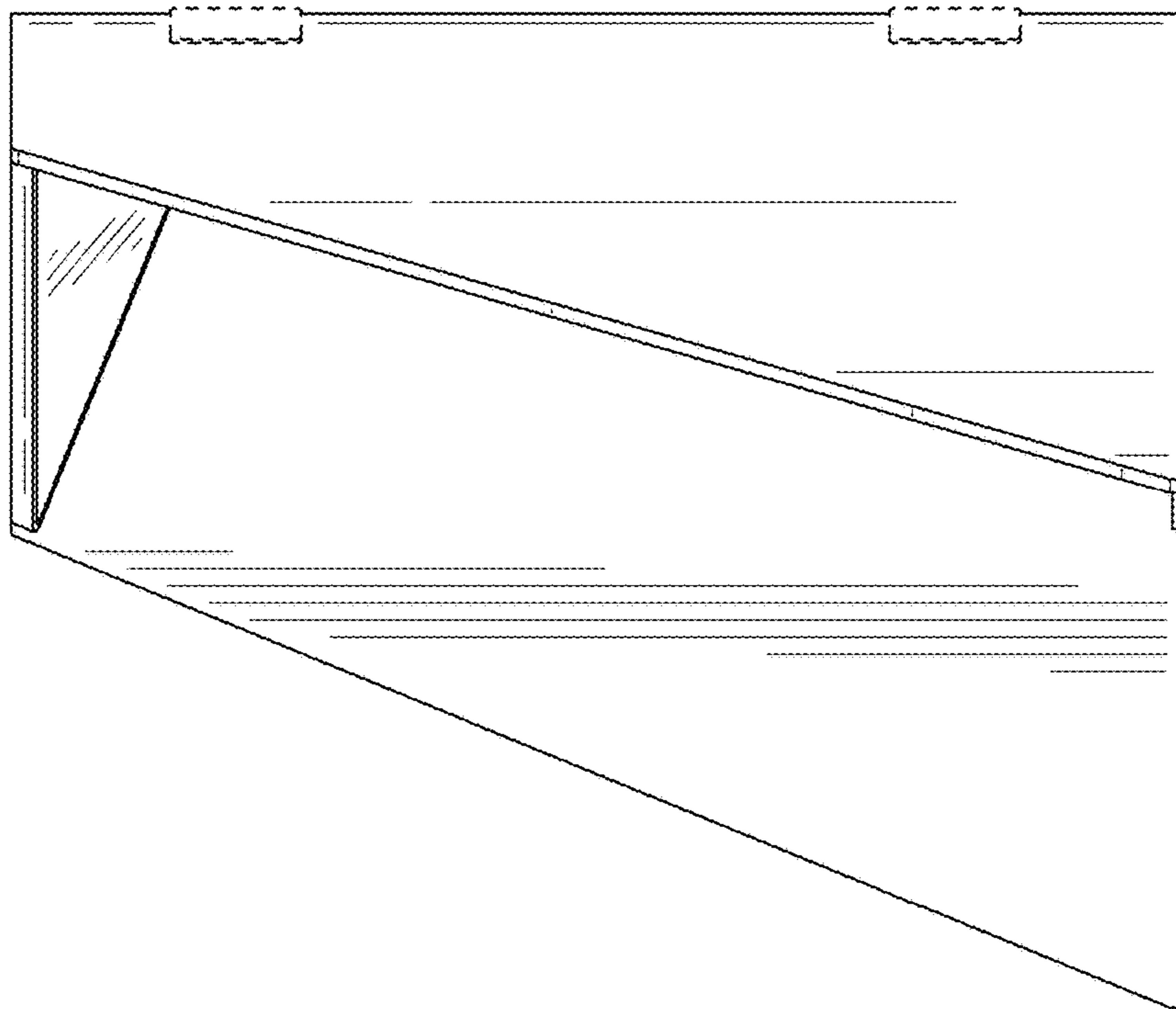


FIG. 4

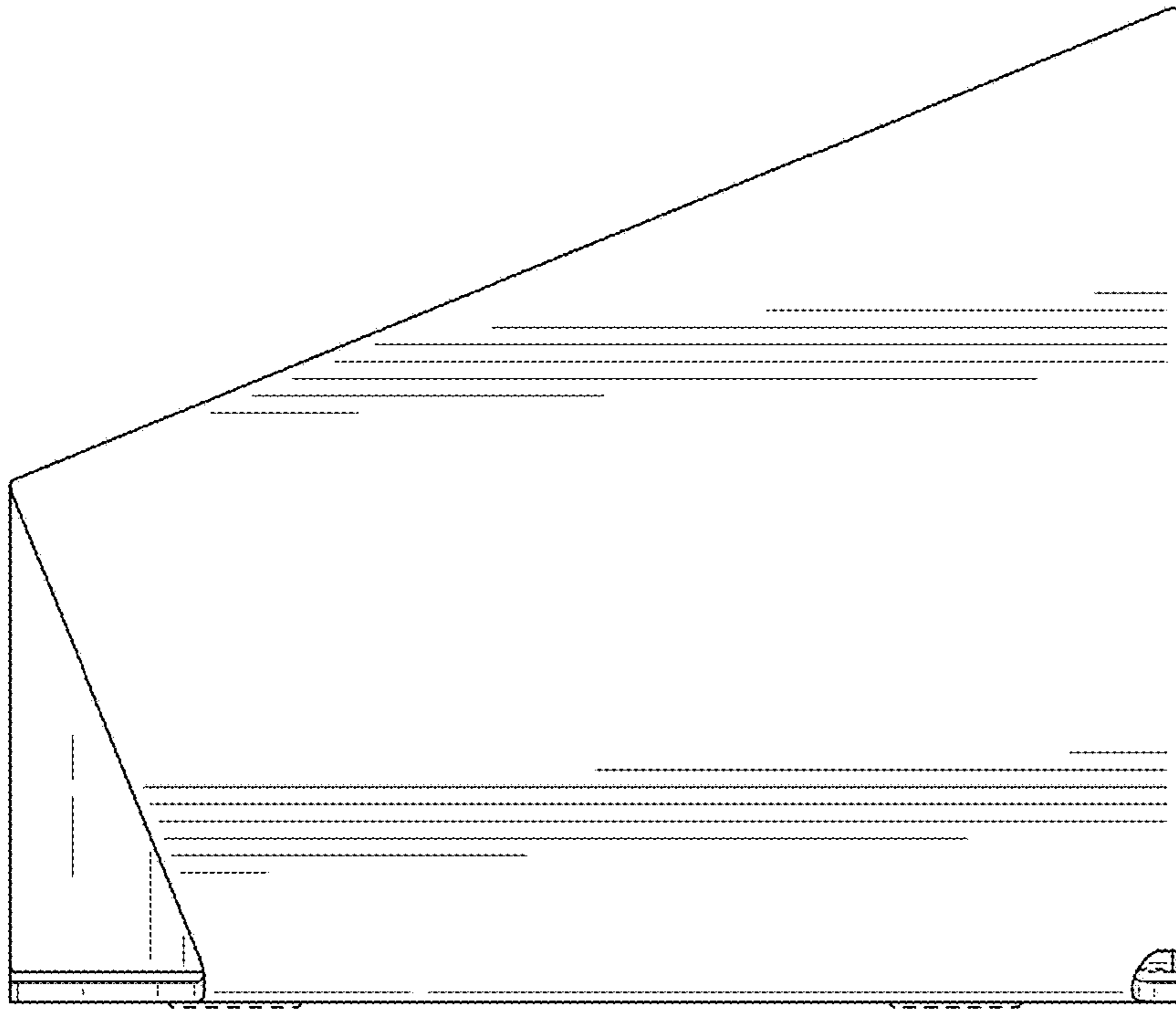


FIG. 5

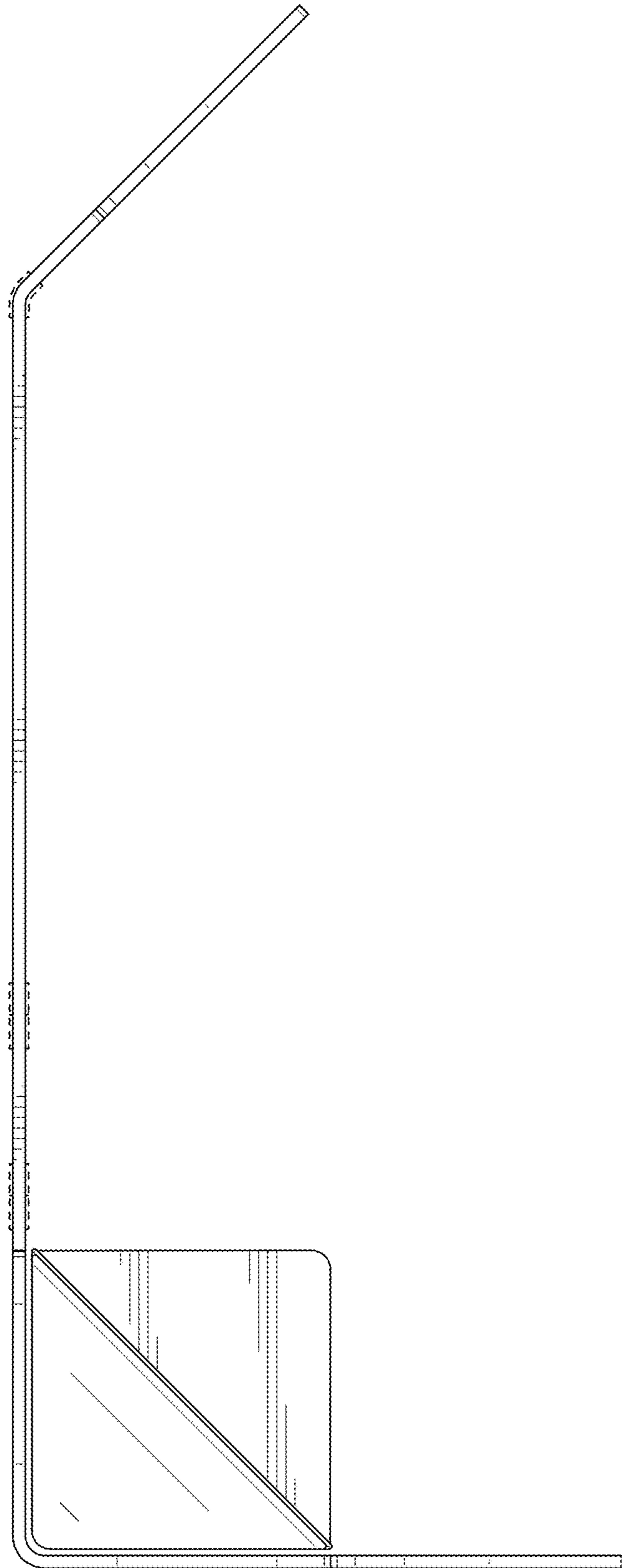


FIG. 6

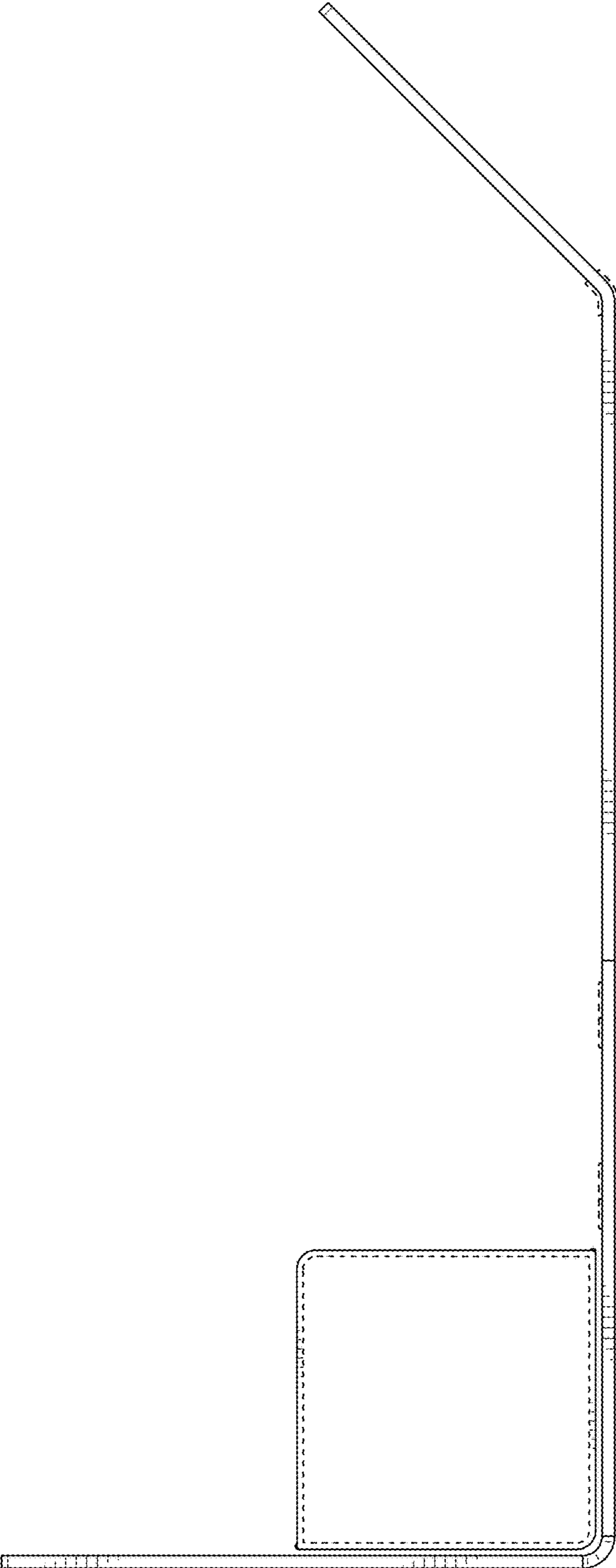


FIG. 7