



US00D790746S

(12) **United States Design Patent**
Ferrier et al.

(10) **Patent No.:** **US D790,746 S**
(45) **Date of Patent:** **** Jun. 27, 2017**

- (54) **RECESSED LIGHT FIXTURE**
- (71) Applicant: **Pinnacle Architectural Lighting**,
Denver, CO (US)
- (72) Inventors: **David James Ferrier**, Denver, CO
(US); **Andrew Chronister**,
Westminster, CO (US)
- (73) Assignee: **Pinnacle Architectural Lighting**,
Denver, CO (US)
- (**) Term: **14 Years**
- (21) Appl. No.: **29/489,522**
- (22) Filed: **Apr. 30, 2014**
- (51) **LOC (10) Cl.** **26-05**
- (52) **U.S. Cl.**
USPC **D26/74**
- (58) **Field of Classification Search**
USPC D26/74, 24, 72, 75, 76, 78, 79, 81, 82,
D26/88, 89, 91, 113, 118, 119, 120, 138,
D26/141, 142
CPC F21V 21/04; F21V 21/041; F21V 7/005;
F21Y 2111/002; F21S 8/026; F21S 8/02
See application file for complete search history.

D591,893 S *	5/2009	Waldmann	D26/74
D597,241 S *	7/2009	Fabbri	D26/74
D632,008 S *	2/2011	Kim	D26/120
D671,667 S *	11/2012	Kim	D26/74
D685,122 S *	6/2013	Kim	D26/74
D705,983 S *	5/2014	Klus	D26/138
D749,257 S *	2/2016	Arndt	D26/76
2014/0009927 A1 *	1/2014	Gnasienco	F21V 3/00 362/224

* cited by examiner

Primary Examiner — Angela J Lee

(57) **CLAIM**

The ornamental design for a recessed light fixture, as shown and described.

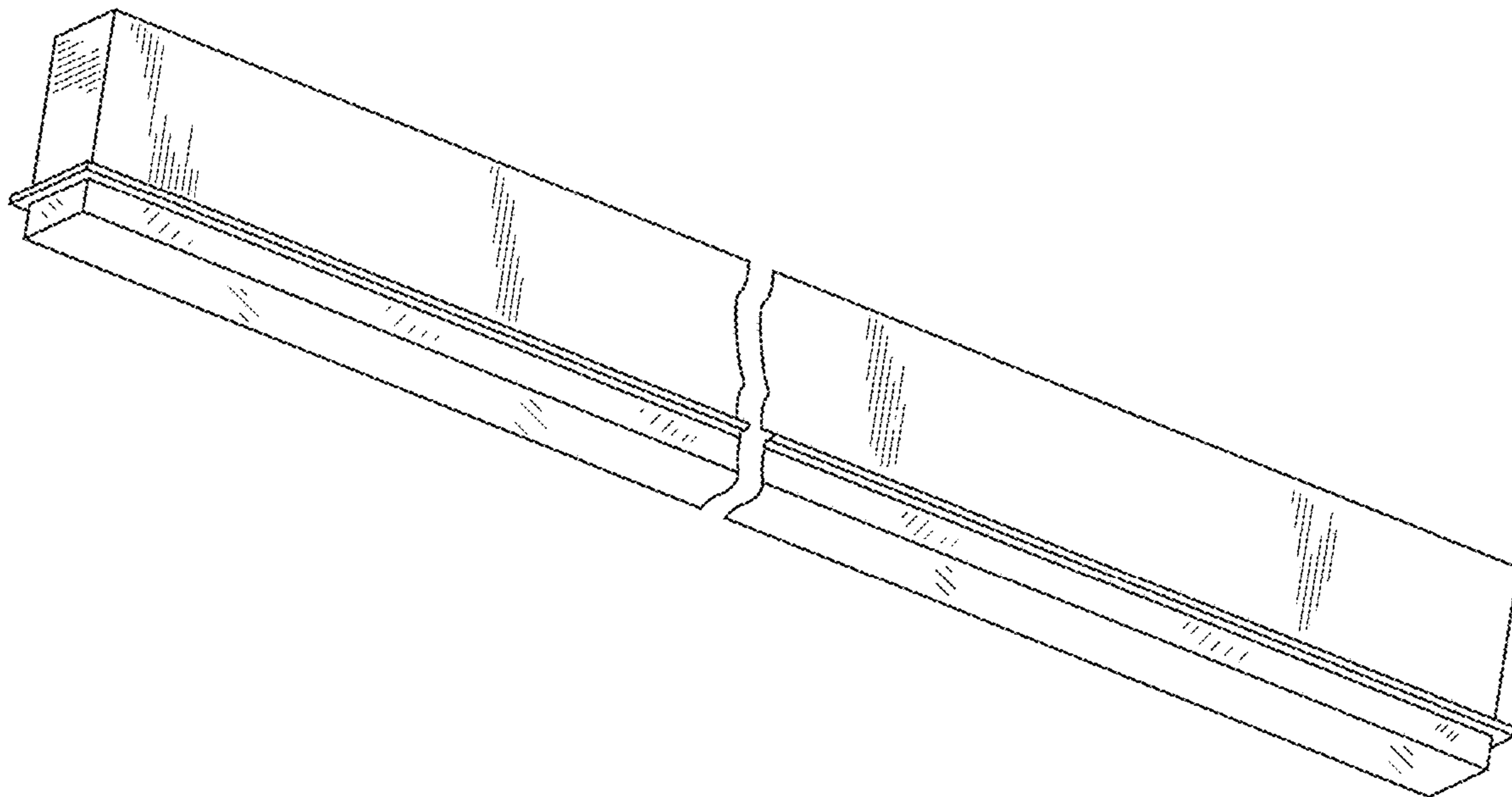
DESCRIPTION

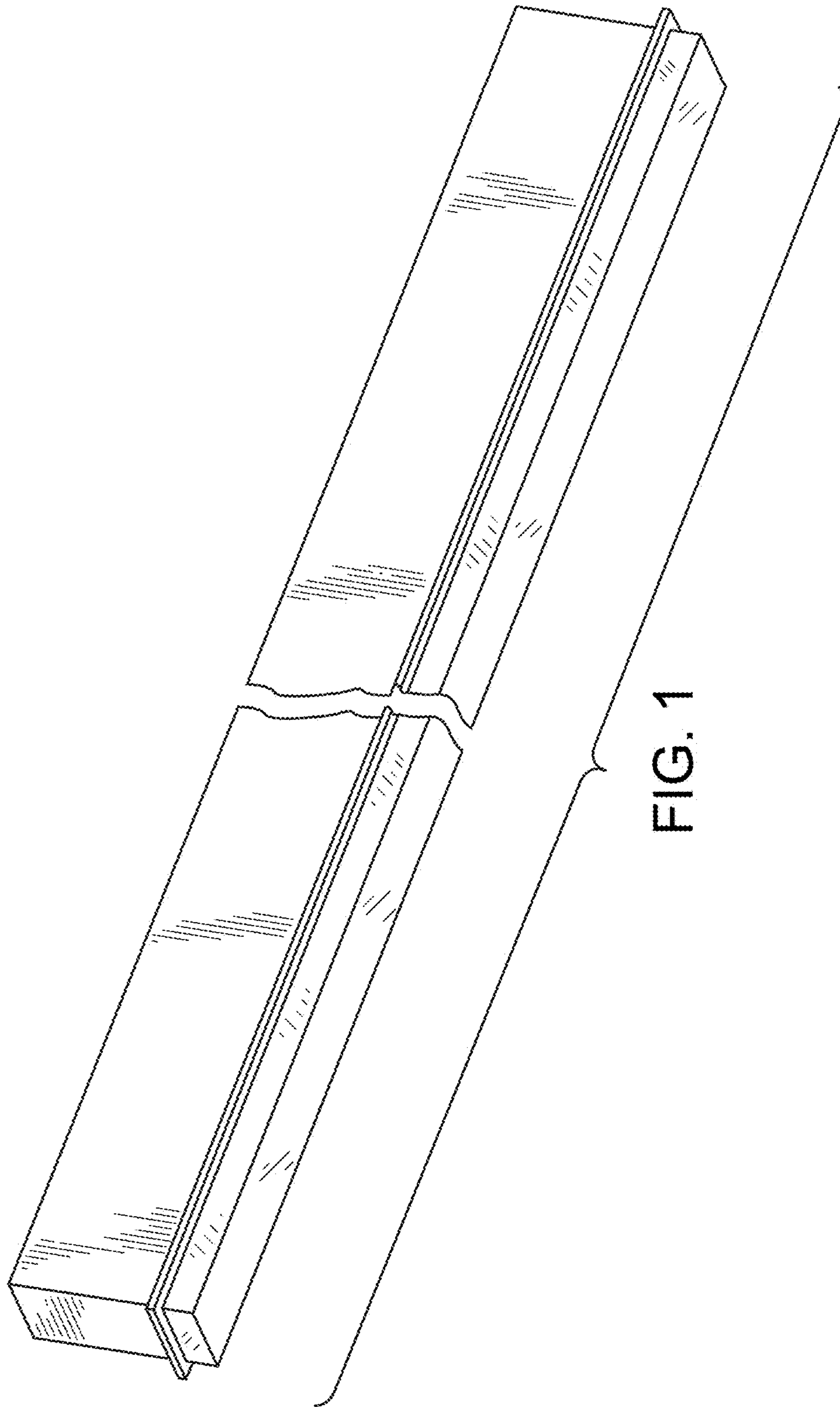
FIG. 1 is a perspective view of a recessed light fixture showing our new design.
 FIG. 2 is a top plan view of the recessed light fixture of FIG. 1.
 FIG. 3 is a left elevation view of the recessed light fixture of FIG. 1.
 FIG. 4 is a front elevation view of the recessed light fixture of FIG. 1.
 FIG. 5 is a right elevation view of the recessed light fixture of FIG. 1.
 FIG. 6 is a bottom plan view of the recessed light fixture of FIG. 1; and,
 FIG. 7 is a rear elevation view of the recessed light fixture of FIG. 1.

The recessed lighting fixture is shown broken away to indicate that the area between the break lines forms no part of the claimed design.

1 Claim, 3 Drawing Sheets

- (56) **References Cited**
U.S. PATENT DOCUMENTS
- D120,773 S * 5/1940 Arenberg D26/120
- D307,059 S * 4/1990 Szymanek D26/74
- D326,926 S * 6/1992 Stephenson D26/74
- D330,268 S * 10/1992 Jaksich D26/74
- D569,025 S * 5/2008 Hakamada D26/74





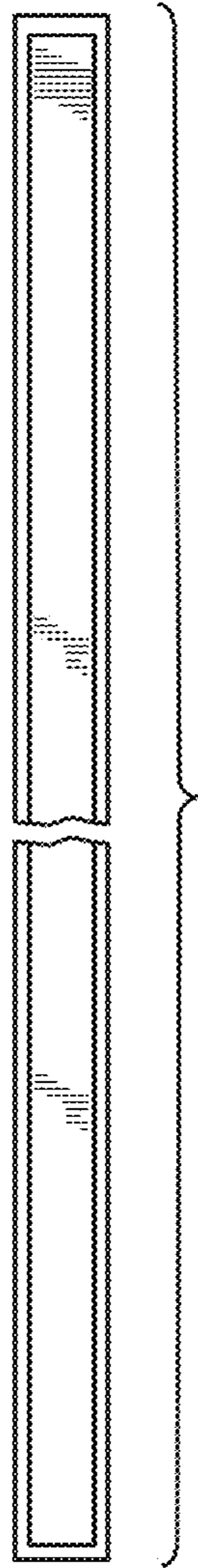


FIG. 2



FIG. 3

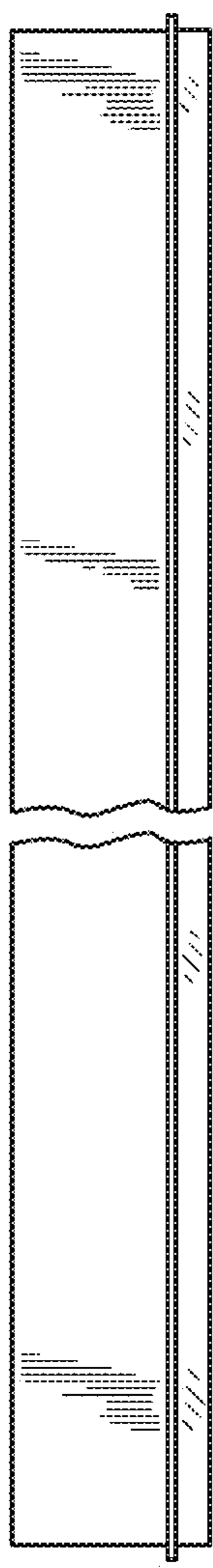


FIG. 4



FIG. 5

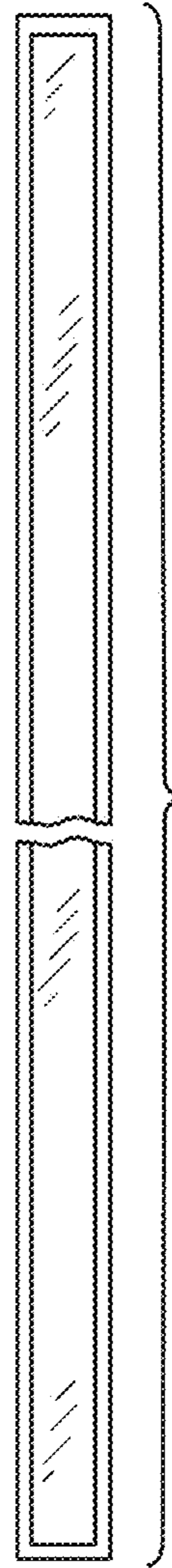


FIG. 6

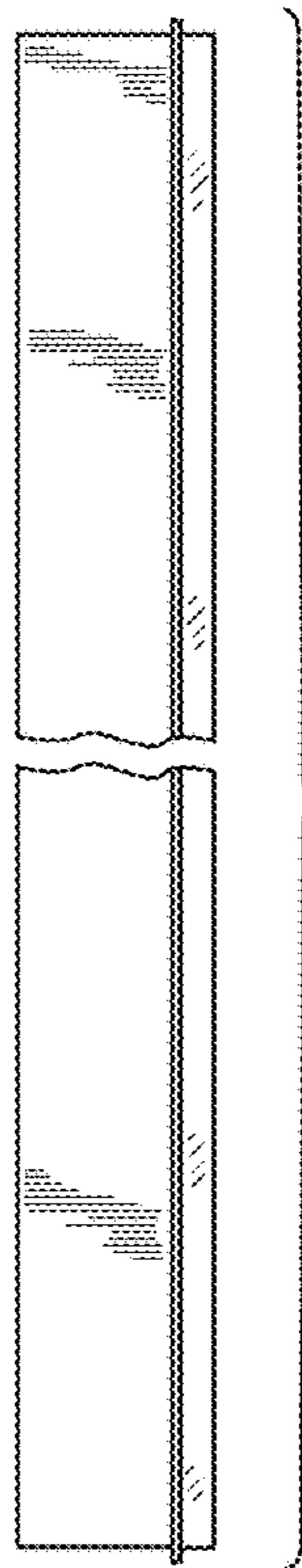


FIG. 7