



US00D790744S

(12) **United States Design Patent**
Roura

(10) **Patent No.:** **US D790,744 S**

(45) **Date of Patent:** **** Jun. 27, 2017**

(54) **HEADLIGHT FOR A VEHICLE**

(71) Applicant: **AUDI AG**, Ingolstadt (DE)

(72) Inventor: **Cesar Muntada Roura**, Pfaffenhofen
an der Ilm (DE)

(73) Assignee: **AUDI AG**, Ingolstadt (DE)

(**) Term: **15 Years**

(21) Appl. No.: **29/565,116**

(22) Filed: **May 18, 2016**

(30) **Foreign Application Priority Data**

Nov. 18, 2015 (EM) 002 865 105-0002

(51) **LOC (10) Cl.** **26-06**

(52) **U.S. Cl.**
USPC **D26/28**

(58) **Field of Classification Search**
USPC D26/28-36; 362/80-83, 267-269,
362/459-468, 475-478, 485-487
CPC F21S 48/00; F21S 48/10; F21S 48/115;
F21S 48/225; F21S 48/1233; F21S
48/1266; F21S 48/1388; F21S 48/2268;
F21V 21/04

See application file for complete search history.

(56) **References Cited**

U.S. PATENT DOCUMENTS

D528,231 S *	9/2006	Ikeda	D26/28
D528,686 S *	9/2006	Kato	D26/28
D529,208 S *	9/2006	Ikeda	D26/28
D535,409 S *	1/2007	Yamaguchi	D26/28

* cited by examiner

Primary Examiner — Marcus Jackson

(74) *Attorney, Agent, or Firm* — Lucas & Mercanti, LLP;
Klaus P. Stoffel

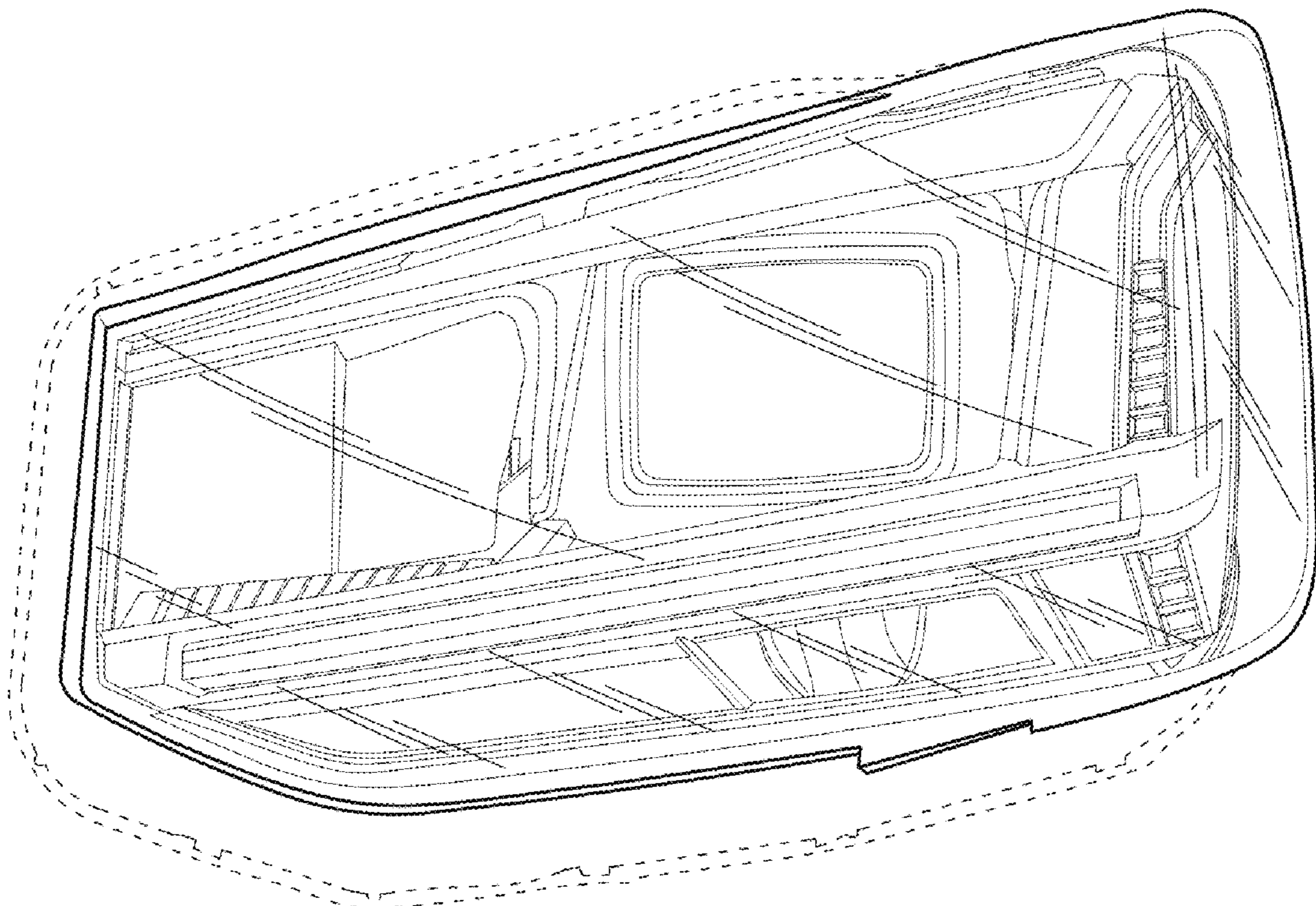
(57) **CLAIM**

The ornamental design for a headlight for vehicle, as shown
and described.

DESCRIPTION

FIG. 1 is a front view of the headlight for vehicle of the
present invention;
FIG. 2 is a left side view thereof;
FIG. 3 is a right side perspective view thereof;
FIG. 4 is a right side view thereof;
FIG. 5 is a top view thereof; and,
FIG. 6 is a bottom view thereof.
Features shown in broken lines do not form part of the
claimed design.

1 Claim, 6 Drawing Sheets



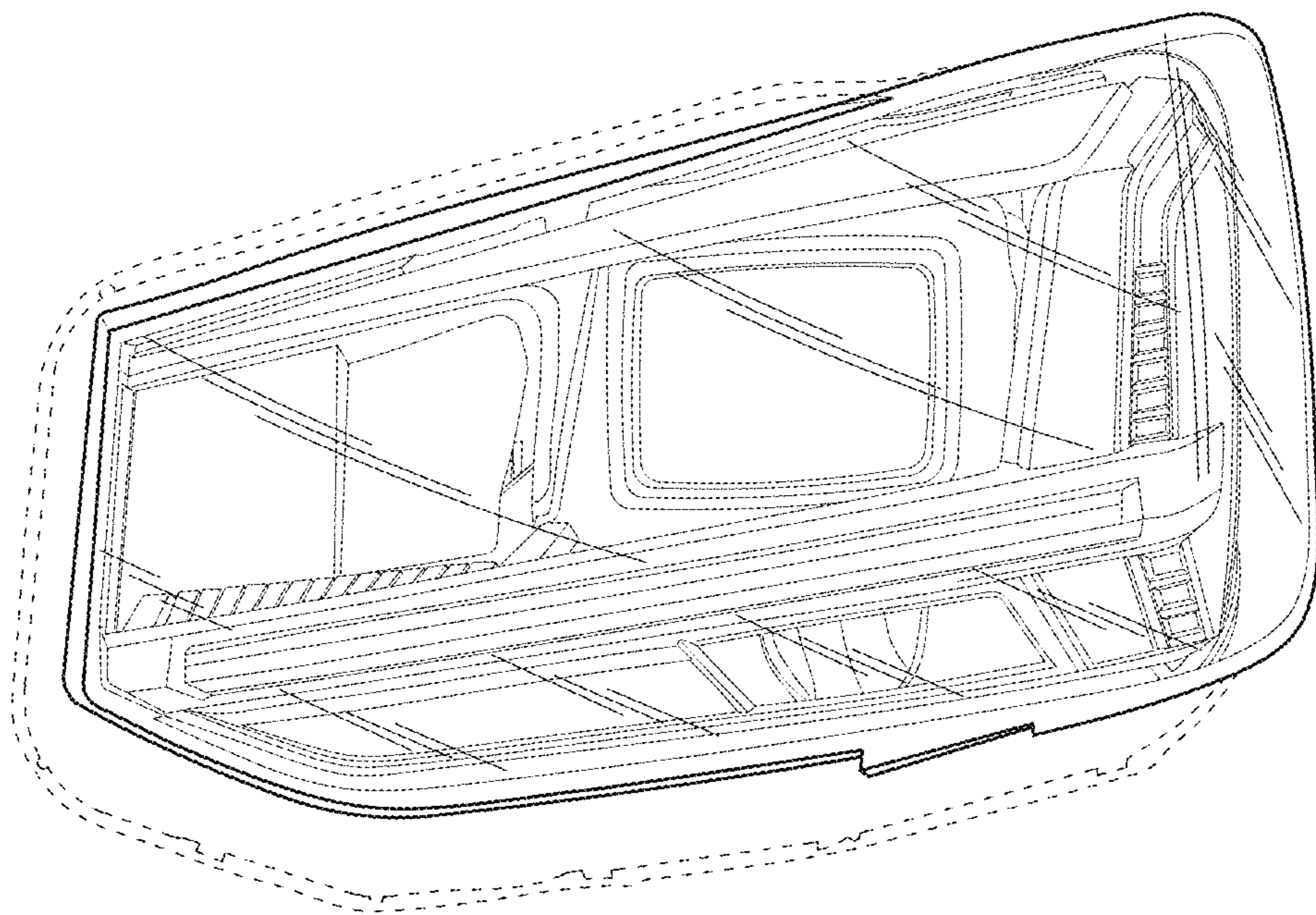


FIG. 1

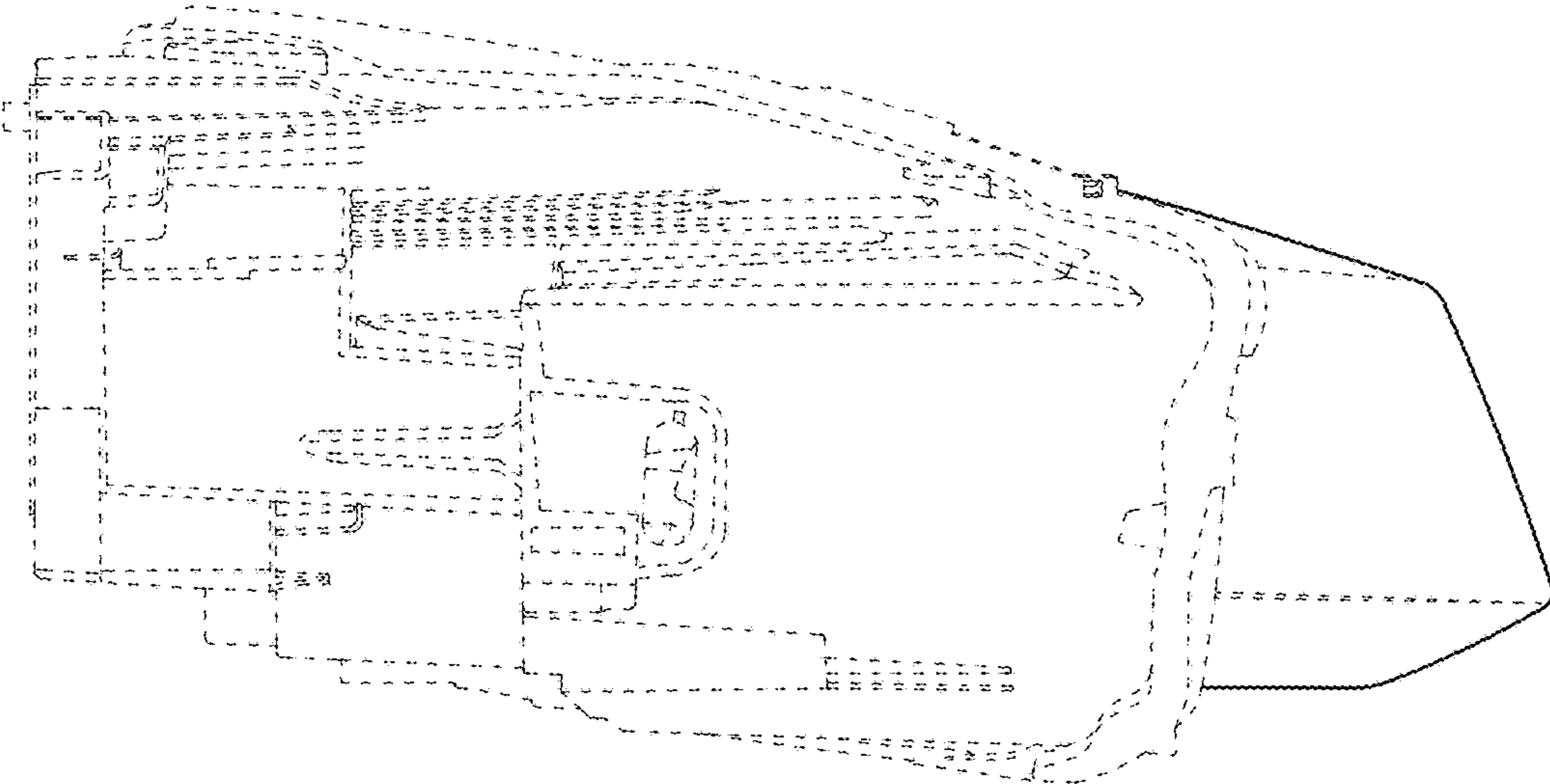


FIG. 2

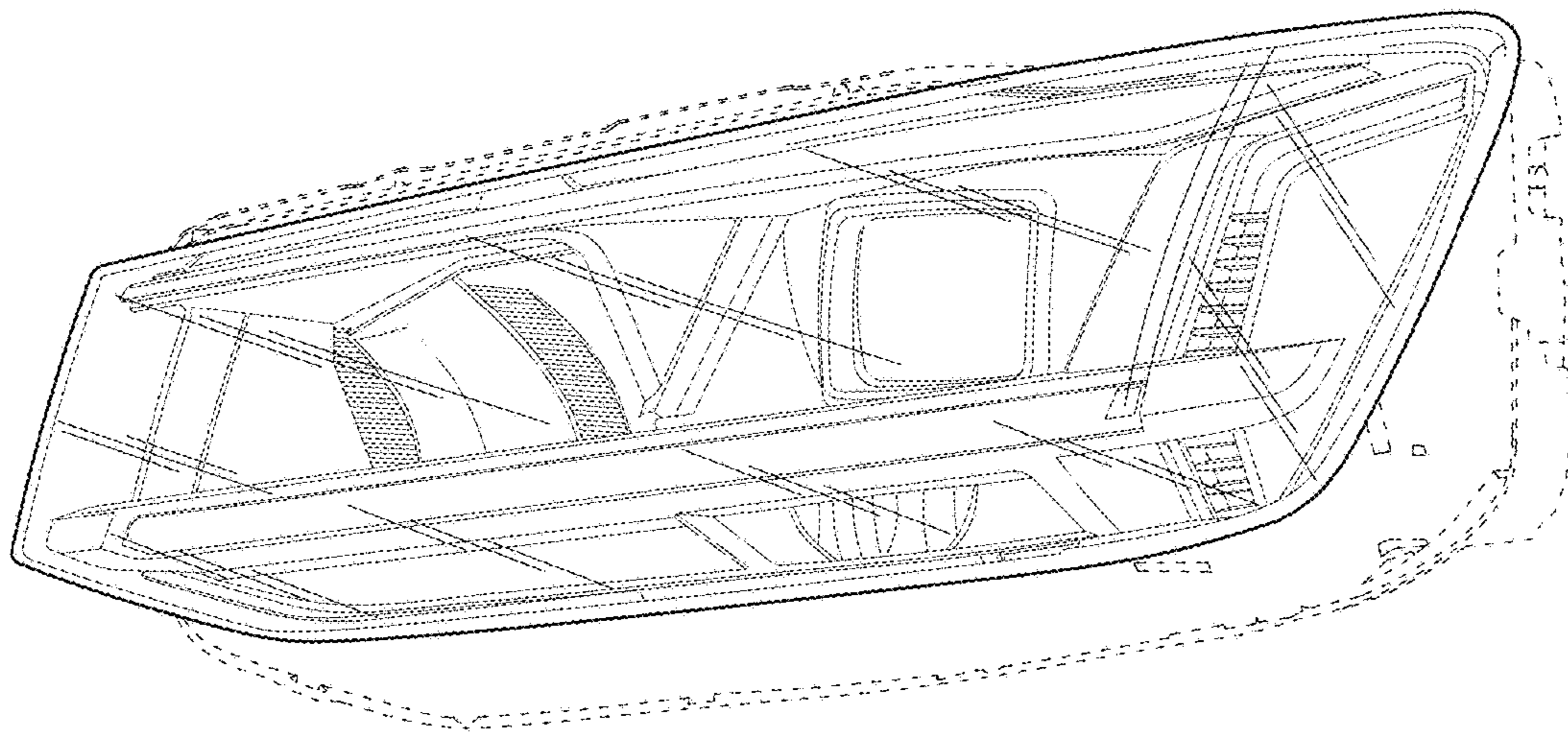


FIG. 3

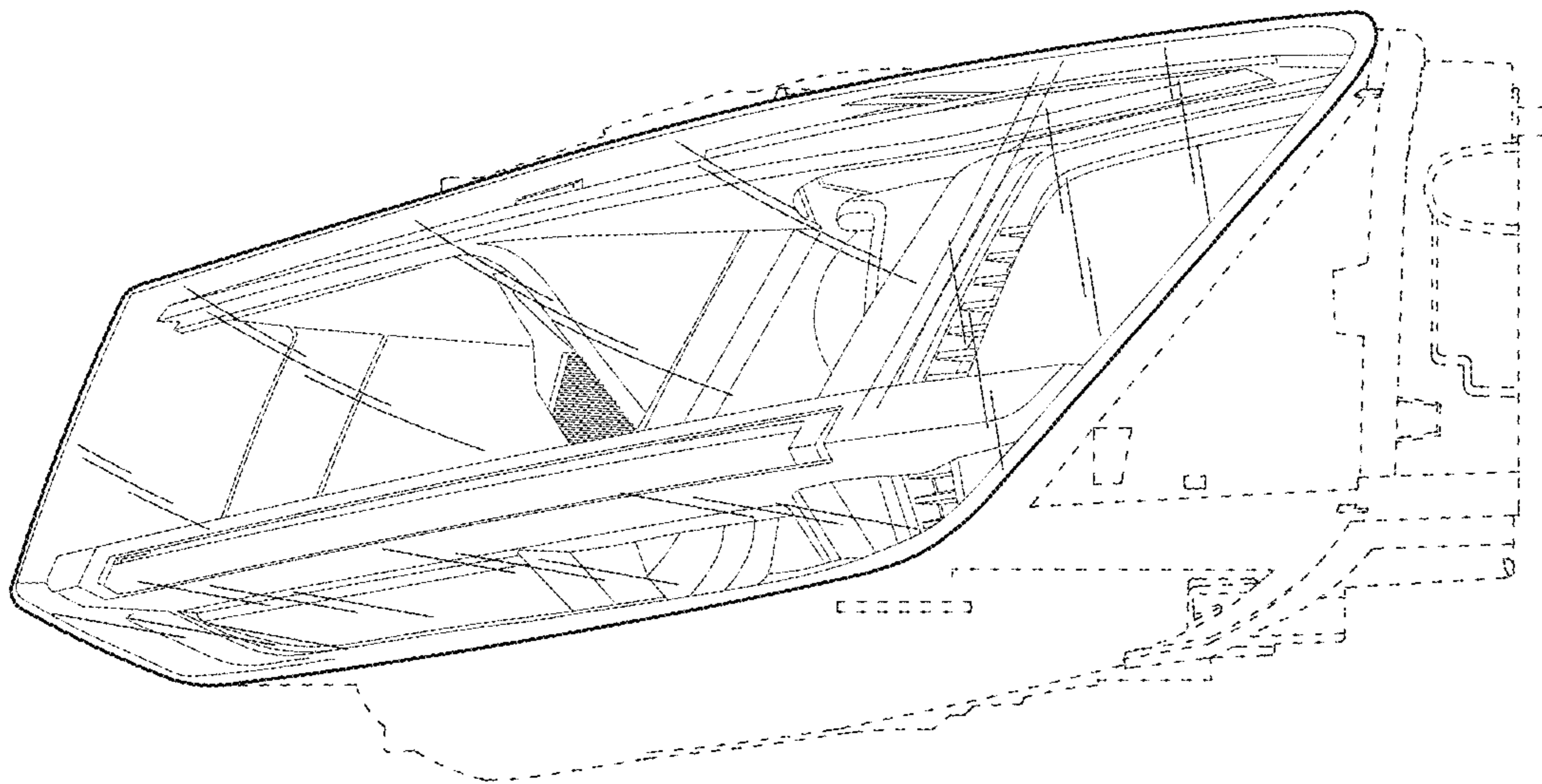


FIG. 4

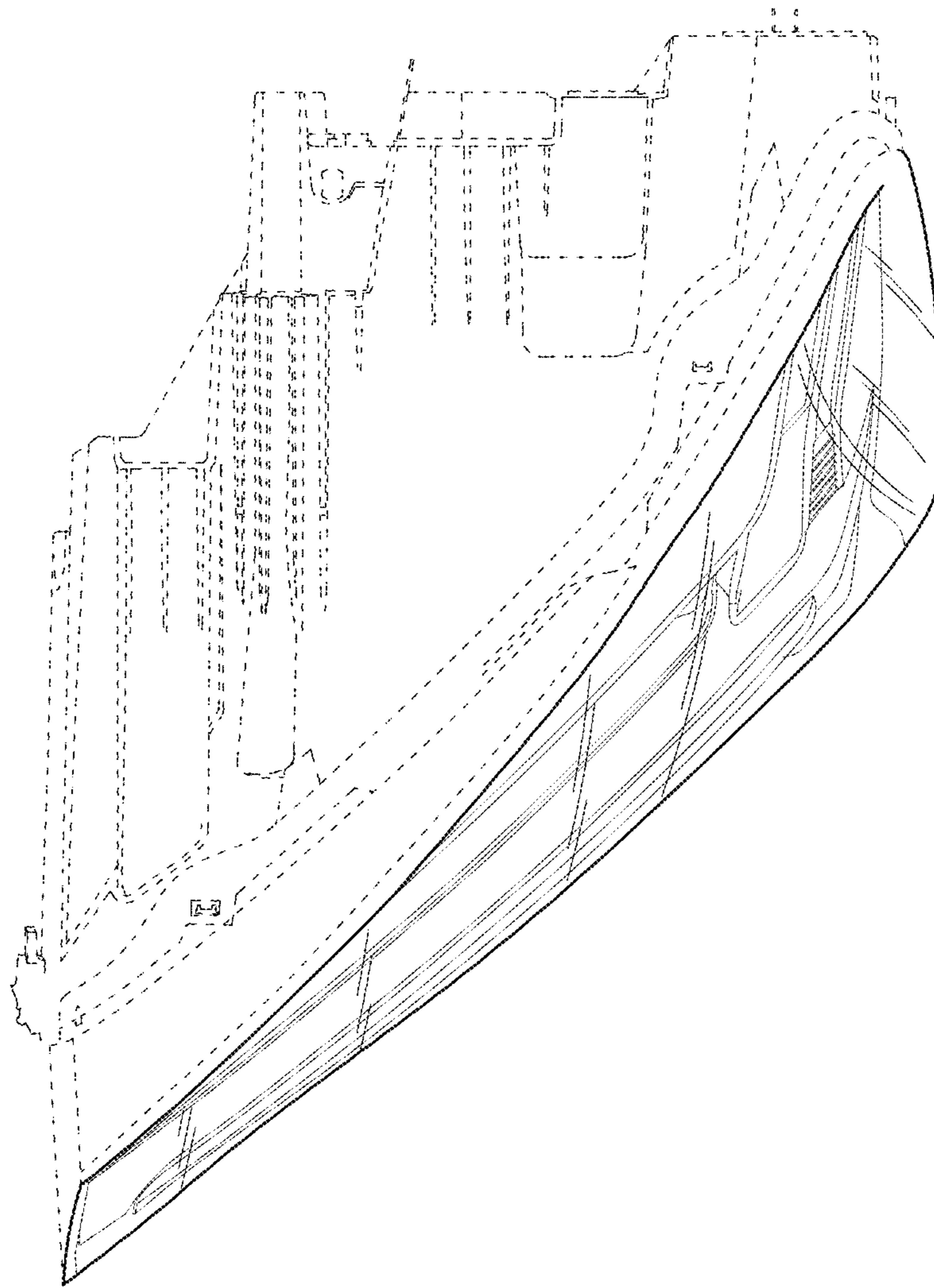


FIG. 5

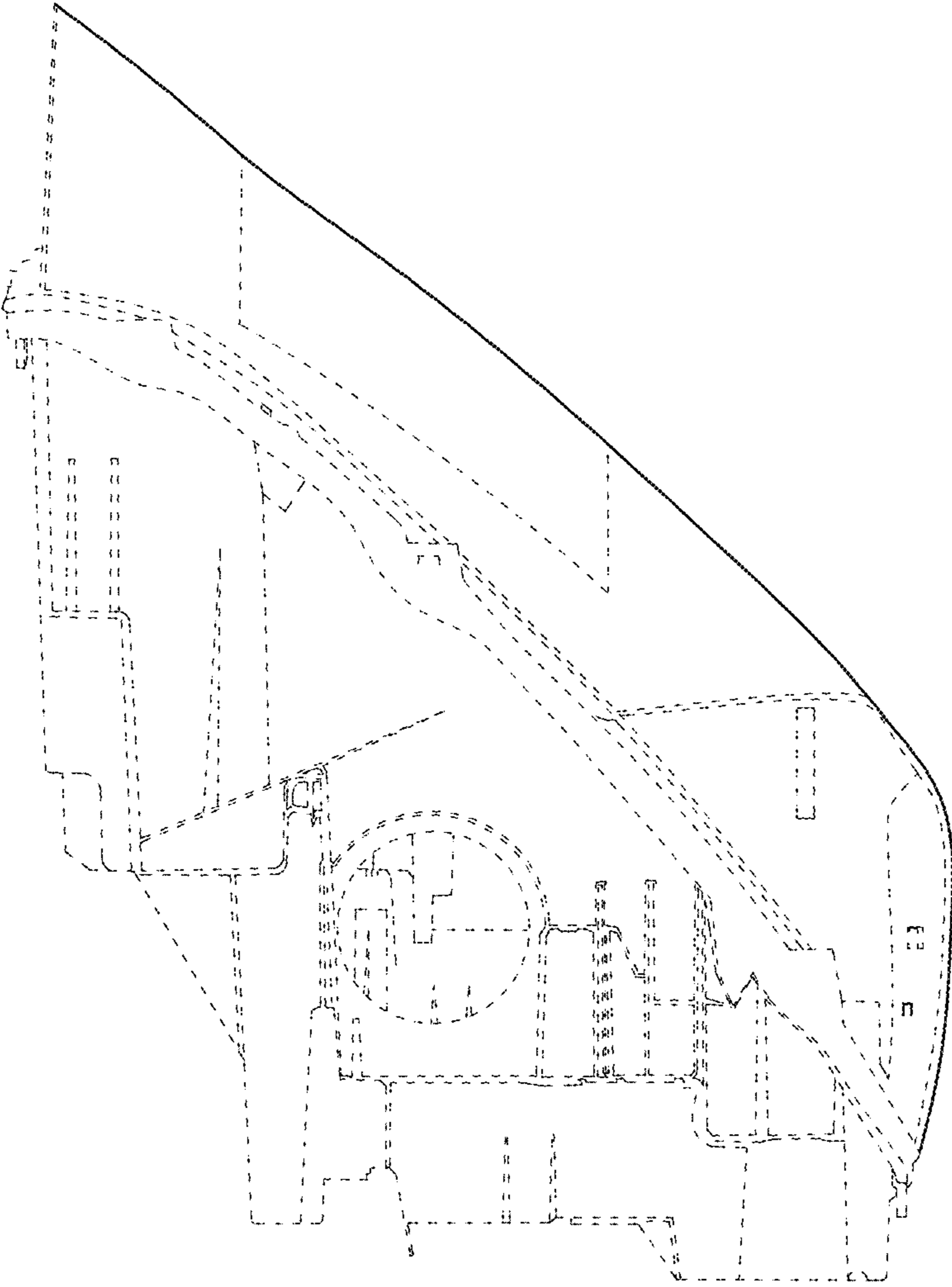


FIG. 6