



US00D790738S

(12) **United States Design Patent** (10) **Patent No.:** **US D790,738 S**
Bello et al. (45) **Date of Patent:** **** Jun. 27, 2017**

(54) **MOVING LIGHT PROJECTOR**
(71) Applicant: **CLAY PAKY S.p.A.**, Seriate (IT)
(72) Inventors: **Andrea Bello**, Bergamo (IT); **Aris Quadri**, Seriate (IT)
(73) Assignee: **CLAY PAKY S.P.A.**, Seriate (IT)
(**) Term: **15 Years**
(21) Appl. No.: **29/542,167**
(22) Filed: **Oct. 12, 2015**
(51) **LOC (10) Cl.** **26-03**
(52) **U.S. Cl.**
USPC **D26/24**
(58) **Field of Classification Search**
USPC D26/1, 2, 24, 25, 26, 37, 72, 73, 74, 77,
D26/93, 104, 113, 118, 124
CPC F21V 15/01; F21V 21/14; F21V 21/30;
F21V 14/00; F21V 14/02; F21Y 2101/00;
F21Y 2101/02
See application file for complete search history.

D239,517 S * 4/1976 Lowndes D26/124
D583,967 S * 12/2008 Leunis D26/24
D639,983 S * 6/2011 Quadri D26/24
D711,561 S * 8/2014 Redpath D26/24

* cited by examiner

Primary Examiner — Brian N Vinson
(74) *Attorney, Agent, or Firm* — Leason Ellis LLP

(57) **CLAIM**

The ornamental design for a moving light projector, as shown and described.

DESCRIPTION

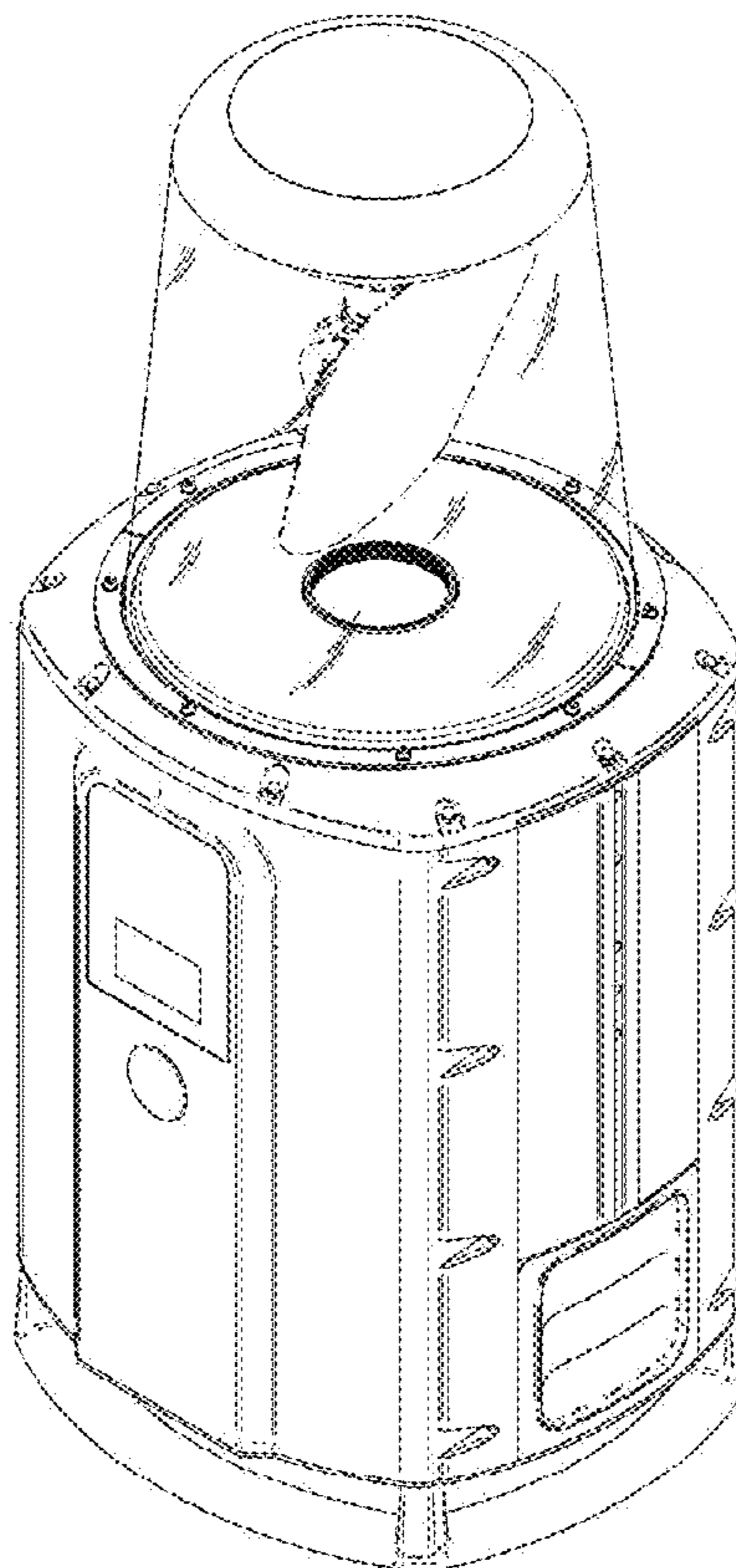
FIG. 1 is a front and side perspective view of a moving light projector showing our new design according to one embodiment;
FIG. 2 is a front elevation view thereof;
FIG. 3 is a left side elevation view thereof;
FIG. 4 is right side elevation view thereof;
FIG. 5 is a rear elevation view thereof;
FIG. 6 is a top plan view thereof; and,
FIG. 7 is a bottom plan view thereof.
The broken line disclosure represents portions of the projector which form no part of the claimed design.

(56) **References Cited**

U.S. PATENT DOCUMENTS

D214,706 S * 7/1969 Kauffman D26/124
D226,454 S * 3/1973 Davidson et al. D26/124

1 Claim, 7 Drawing Sheets



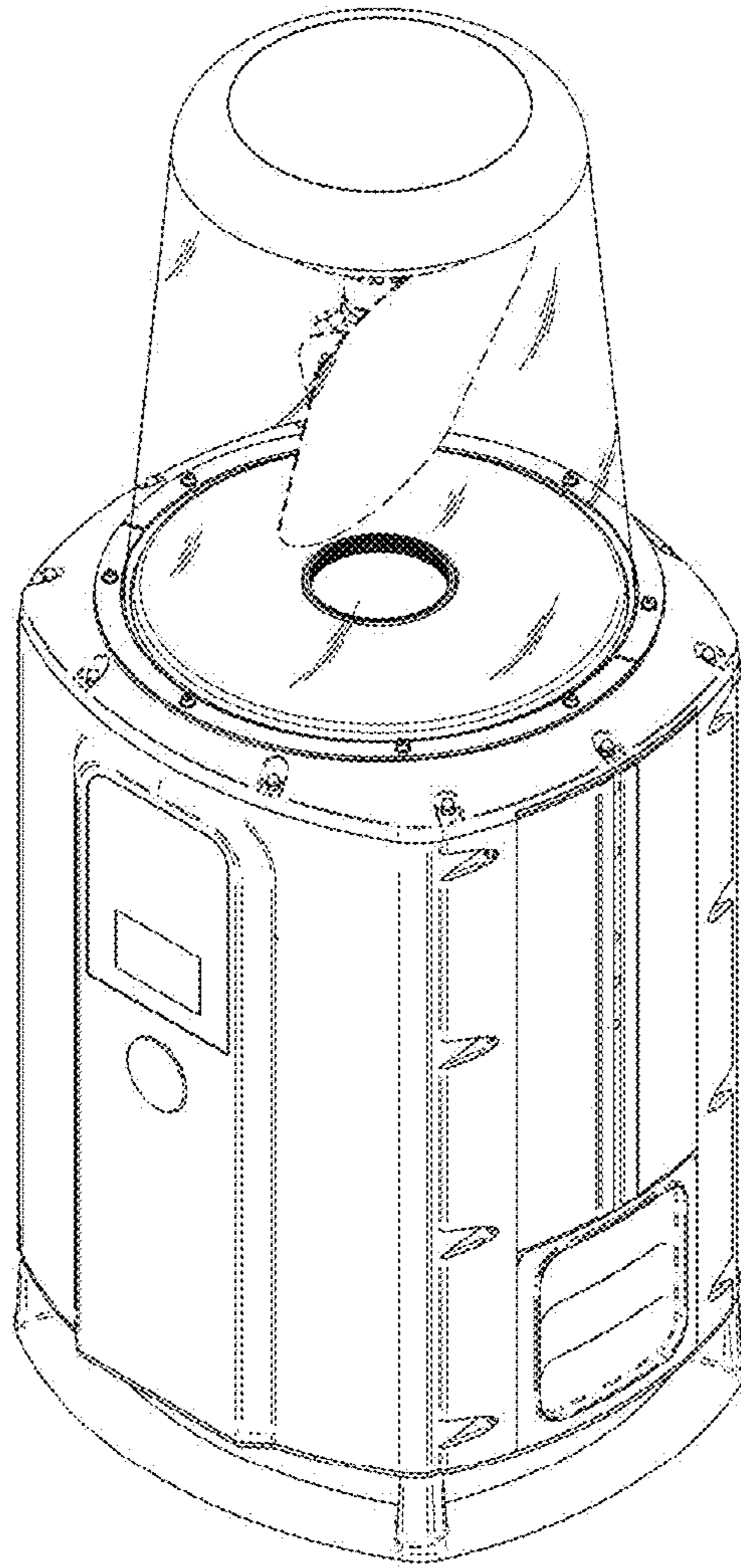


Fig. 1

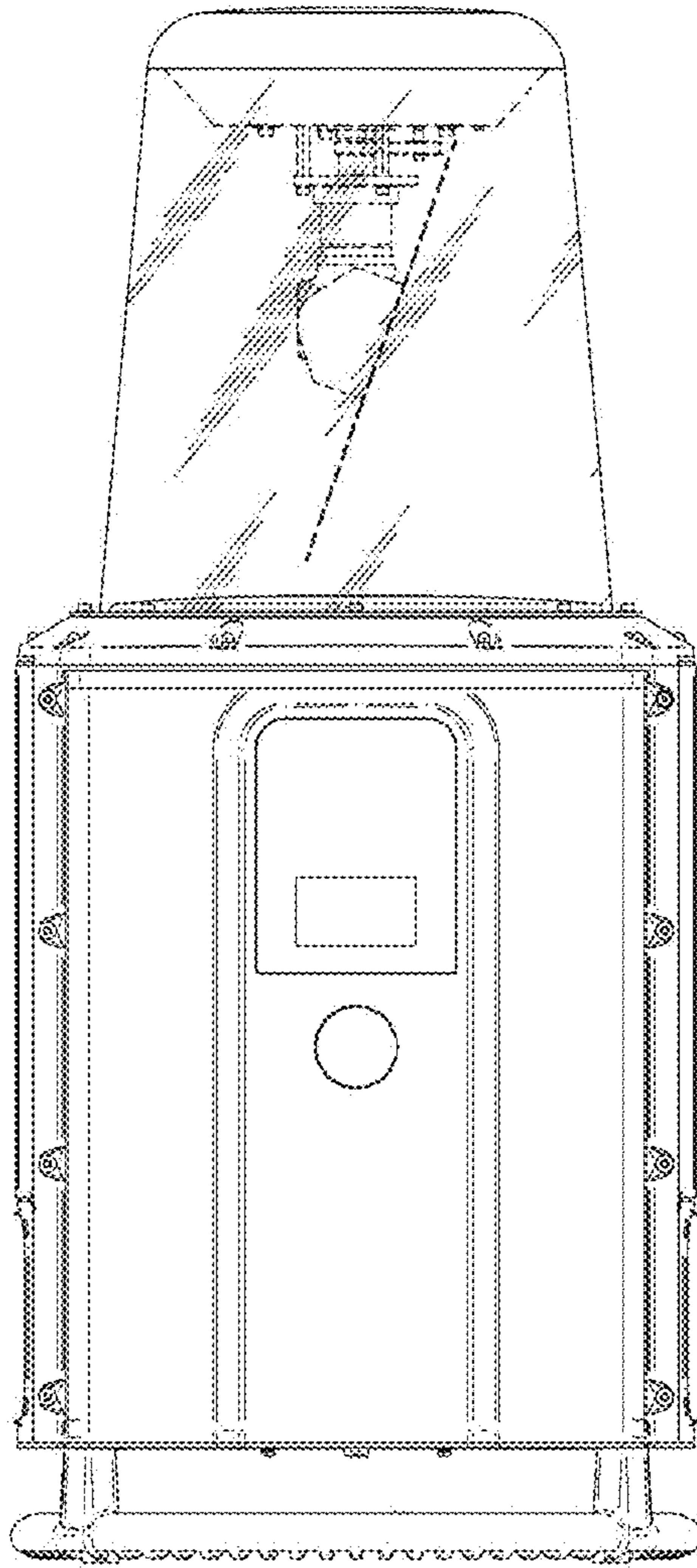


Fig. 2

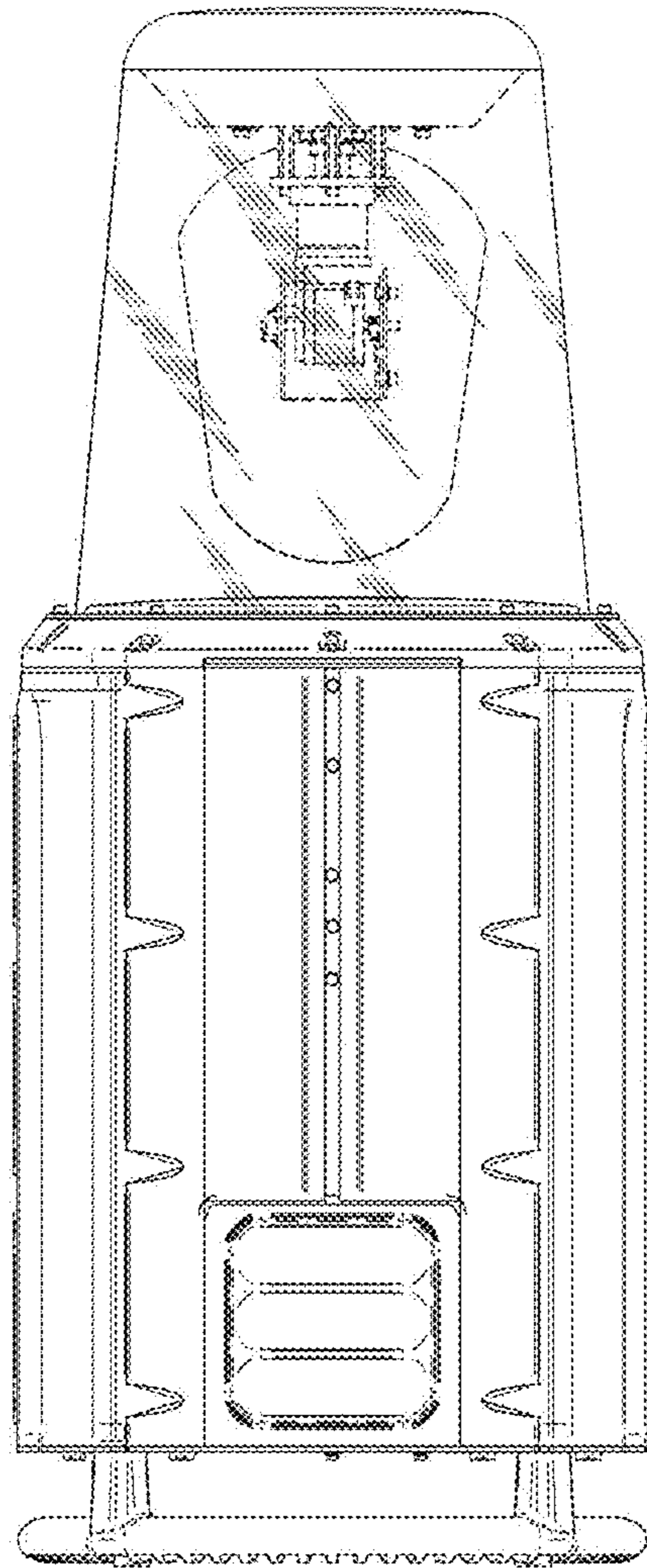


Fig. 3

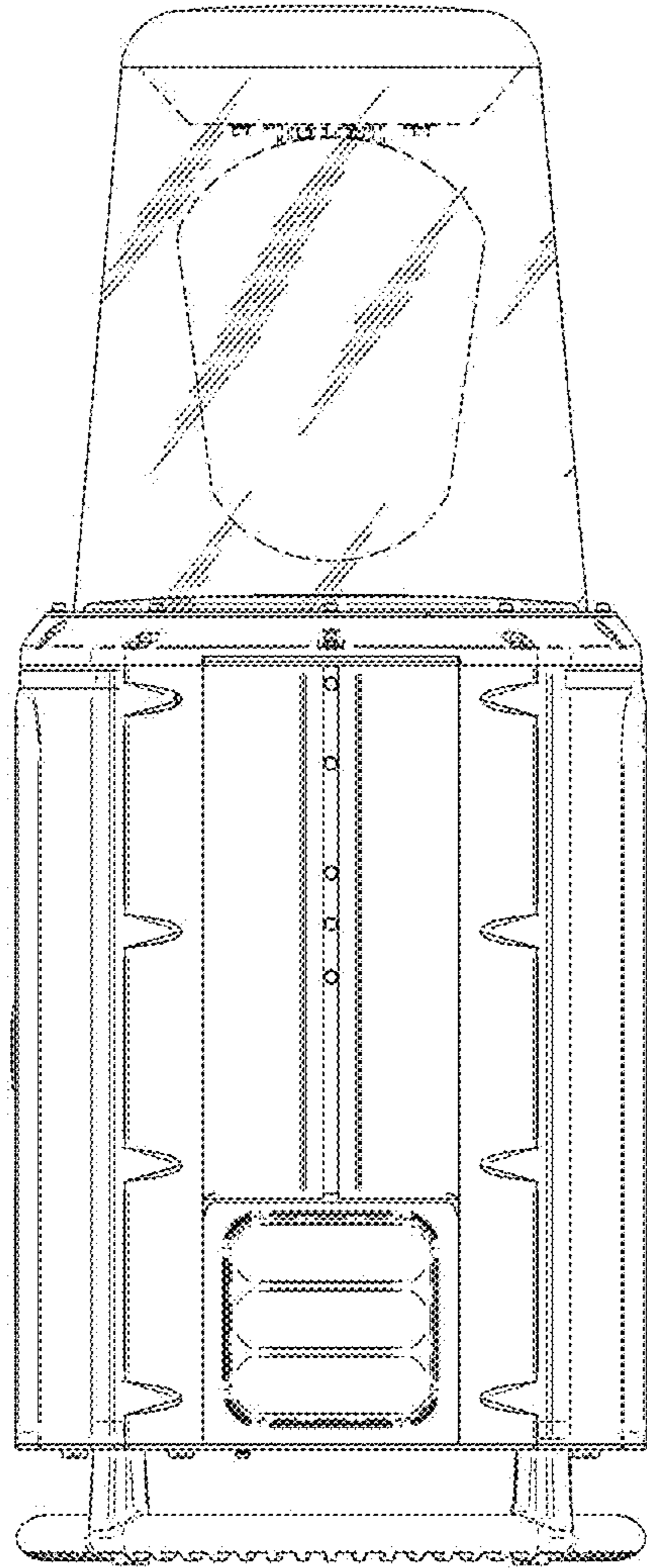


Fig. 4

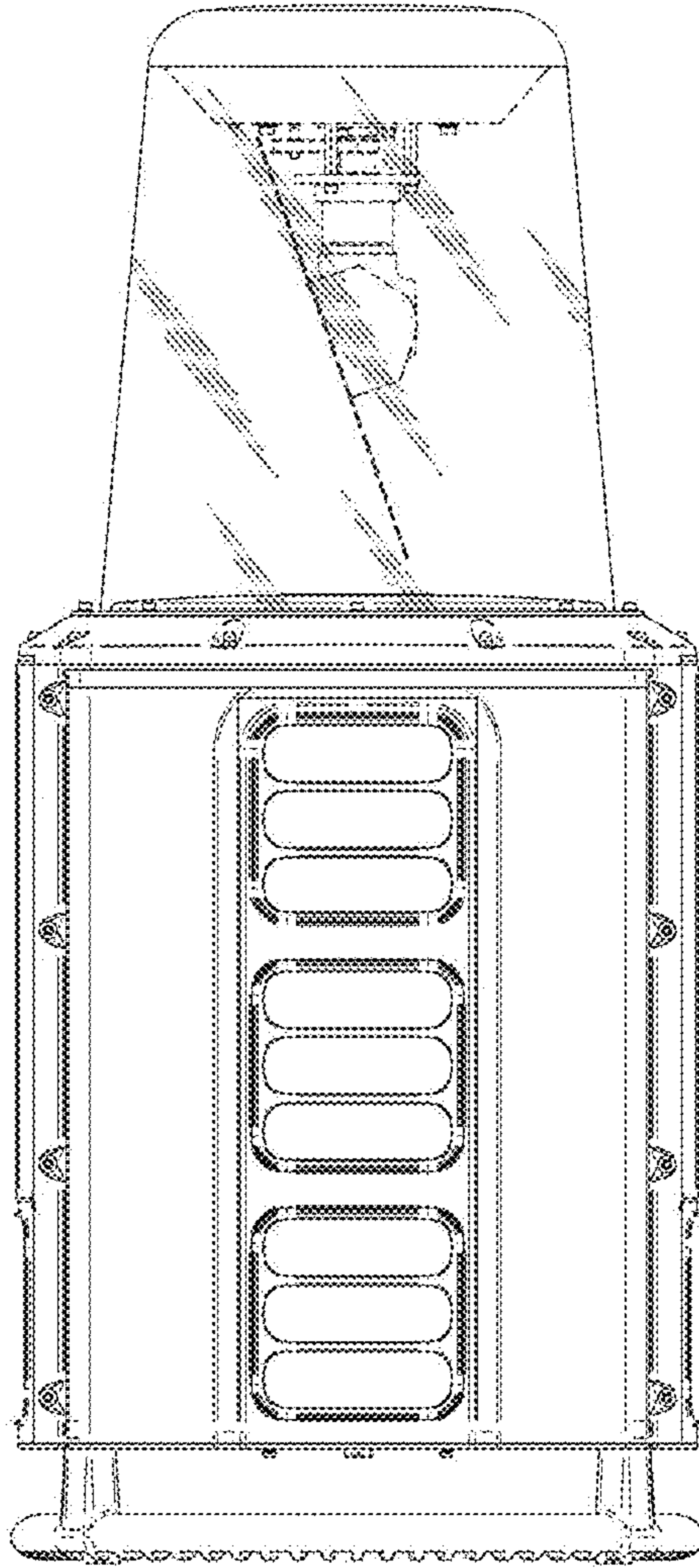


Fig. 5

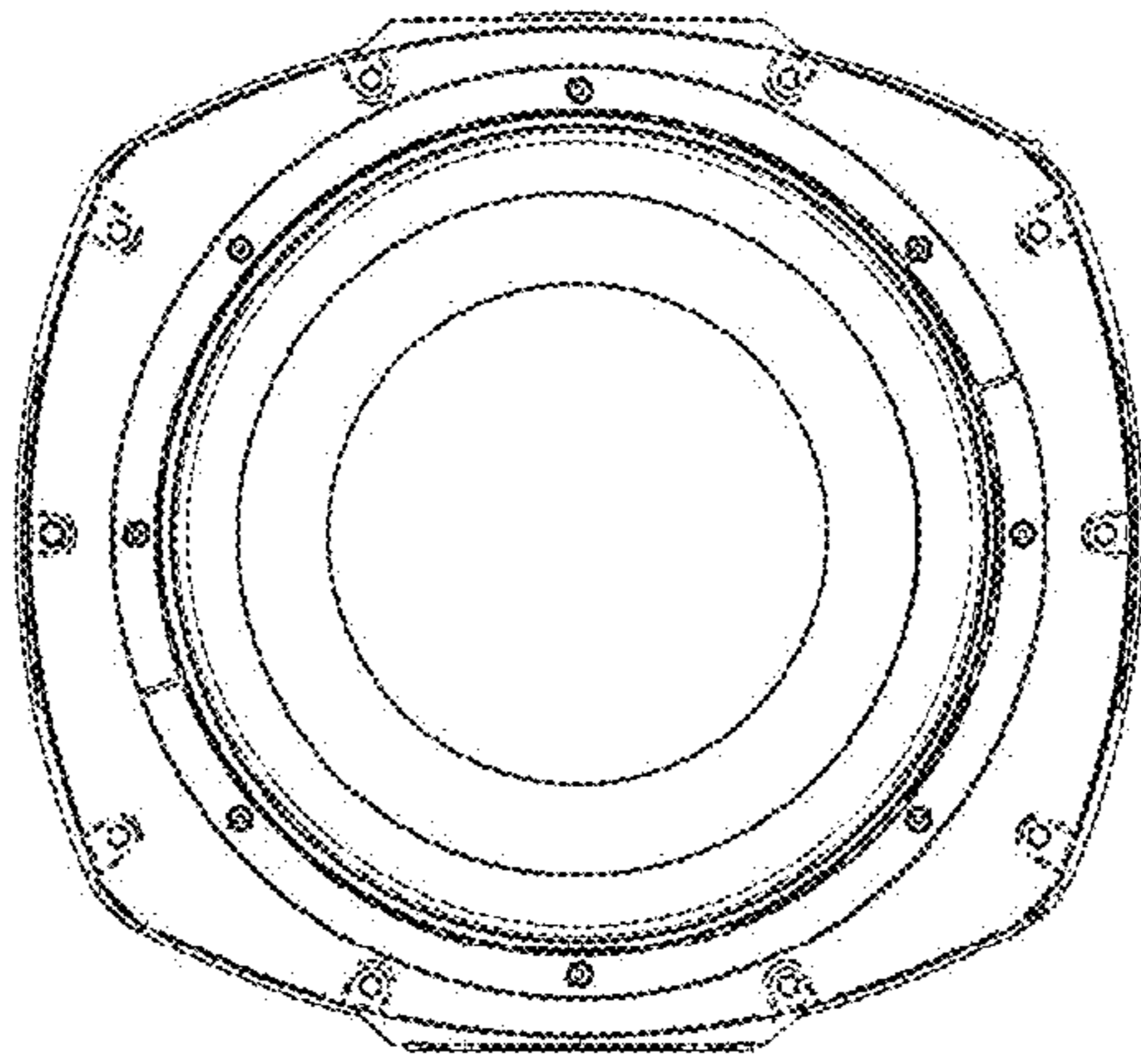


Fig. 6

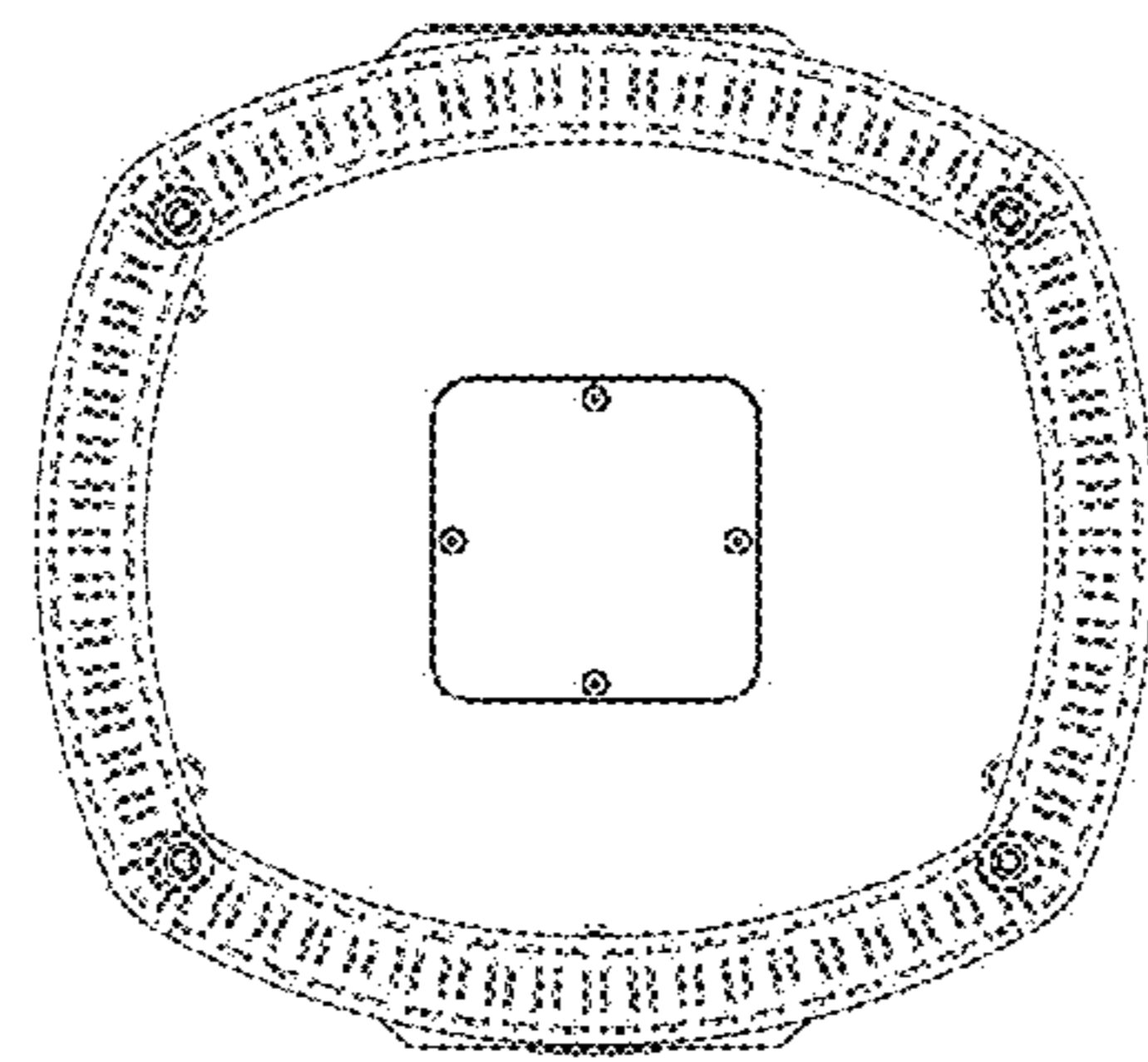


Fig. 7

UNITED STATES PATENT AND TRADEMARK OFFICE
CERTIFICATE OF CORRECTION

PATENT NO. : D790,738 S
APPLICATION NO. : 29/542167
DATED : June 27, 2017
INVENTOR(S) : Andrea Bello and Aris Quadri

Page 1 of 1

It is certified that error appears in the above-identified patent and that said Letters Patent is hereby corrected as shown below:

In the Foreign Application Priority Data, item (30), the priority data should say “April 13, 2015 (EM) 002680330”.

Signed and Sealed this
Twenty-fourth Day of October, 2017



Joseph Matal
*Performing the Functions and Duties of the
Under Secretary of Commerce for Intellectual Property and
Director of the United States Patent and Trademark Office*