



US00D790736S

(12) **United States Design Patent**  
**Mumford, Sr.**

(10) **Patent No.:** **US D790,736 S**  
(45) **Date of Patent:** **\*\* Jun. 27, 2017**

- (54) **TILE TRIM**
- (71) Applicant: **COLUMBIA ALUMINUM PRODUCTS, LLC**, City of Commerce, CA (US)
- (72) Inventor: **Drew Donald Mumford, Sr.**, Newport Coast, CA (US)
- (73) Assignee: **Columbia Aluminum Products, LLC**, City of Commerce, CA (US)
- (\*\*) Term: **15 Years**
- (21) Appl. No.: **29/582,115**
- (22) Filed: **Oct. 25, 2016**

**Related U.S. Application Data**

- (60) Division of application No. 29/538,211, filed on Sep. 1, 2015, now Pat. No. Des. 774,214, which is a continuation-in-part of application No. 29/532,563, filed on Jul. 8, 2015, now Pat. No. Des. 768,881.
- (51) **LOC (10) Cl.** ..... **25-01**
- (52) **U.S. Cl.**  
USPC ..... **D25/119**
- (58) **Field of Classification Search**  
USPC .... D25/119-125, 69, 136, 35, 61; 52/287.1, 52/58, 255, 716.1, 506.06, 506.07, 52/717.05, 717.06  
CPC ..... E04F 19/062; E04F 19/022; E04F 19/061; E04F 19/064; E04F 19/065; E04B 9/008  
See application file for complete search history.

(56) **References Cited**

**U.S. PATENT DOCUMENTS**

- D275,036 S \* 8/1984 Lloyd-Jones ..... D25/119
- D768,877 S \* 10/2016 Mumford, Sr. .... D25/119

- D768,879 S \* 10/2016 Mumford, Sr. .... D25/119
- D768,880 S \* 10/2016 Mumford, Sr. .... D25/119
- D768,881 S \* 10/2016 Mumford, Sr. .... D25/119
- D768,882 S \* 10/2016 Mumford, Sr. .... D25/119
- D769,459 S \* 10/2016 Mumford, Sr. .... D25/119
- D769,461 S \* 10/2016 Mumford, Sr. .... D25/119
- D769,462 S \* 10/2016 Mumford, Sr. .... D25/119
- D774,214 S \* 12/2016 Mumford, Sr. .... D25/119

\* cited by examiner

*Primary Examiner* — Cynthia Ramirez

*Assistant Examiner* — Gino Colan

(74) *Attorney, Agent, or Firm* — Hankin Patent Law, APC; Kevin Schraven; Anooj Patel

(57) **CLAIM**

The ornamental design for a tile trim, as shown and described.

**DESCRIPTION**

FIG. 1 is a top perspective view of a tile trim, showing my new design.

FIG. 2 is a front elevational view thereof.

FIG. 3 is a rear elevational view thereof.

FIG. 4 is a right side elevational view thereof.

FIG. 5 is a left side elevational view thereof.

FIG. 6 is a top plan view thereof; and,

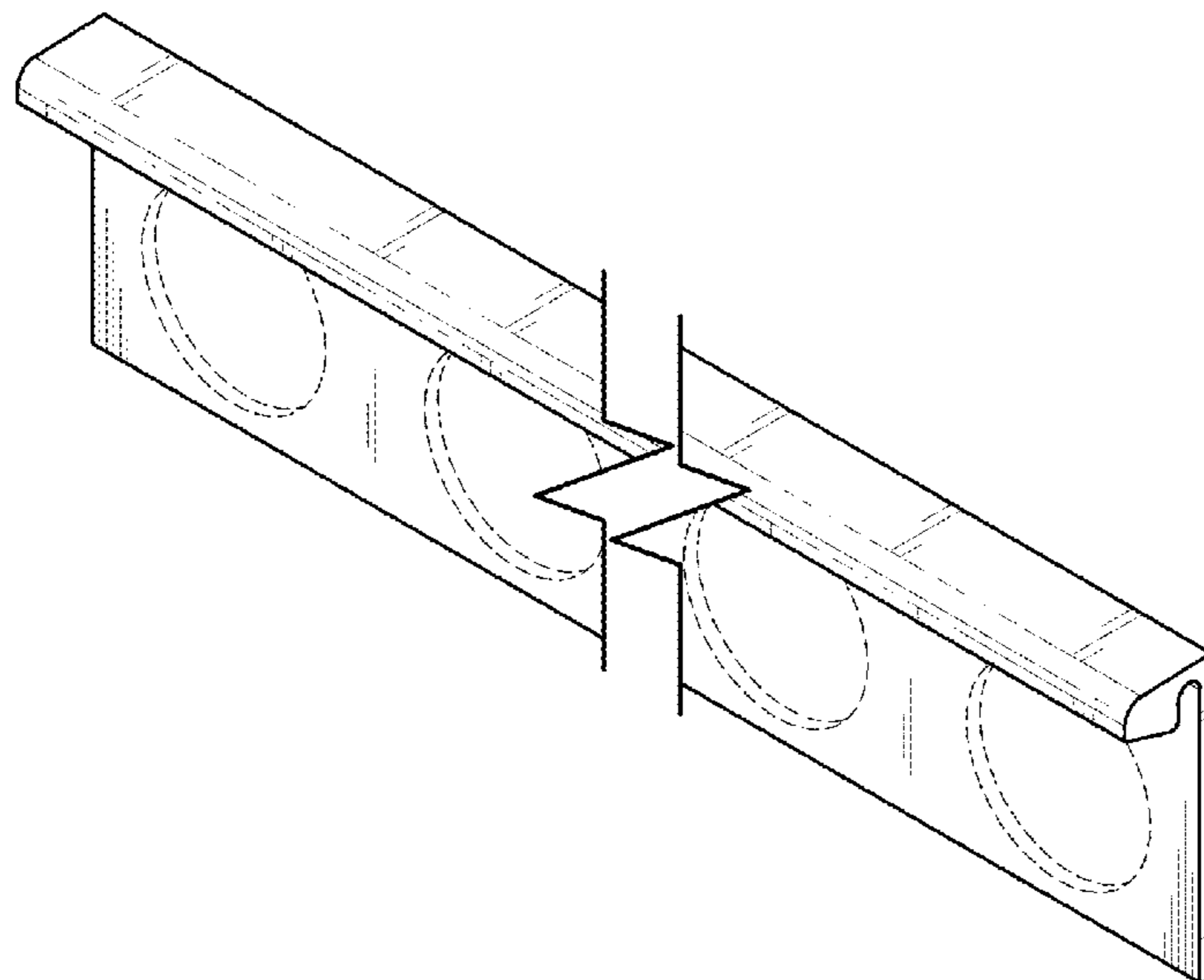
FIG. 7 is a bottom plan view thereof.

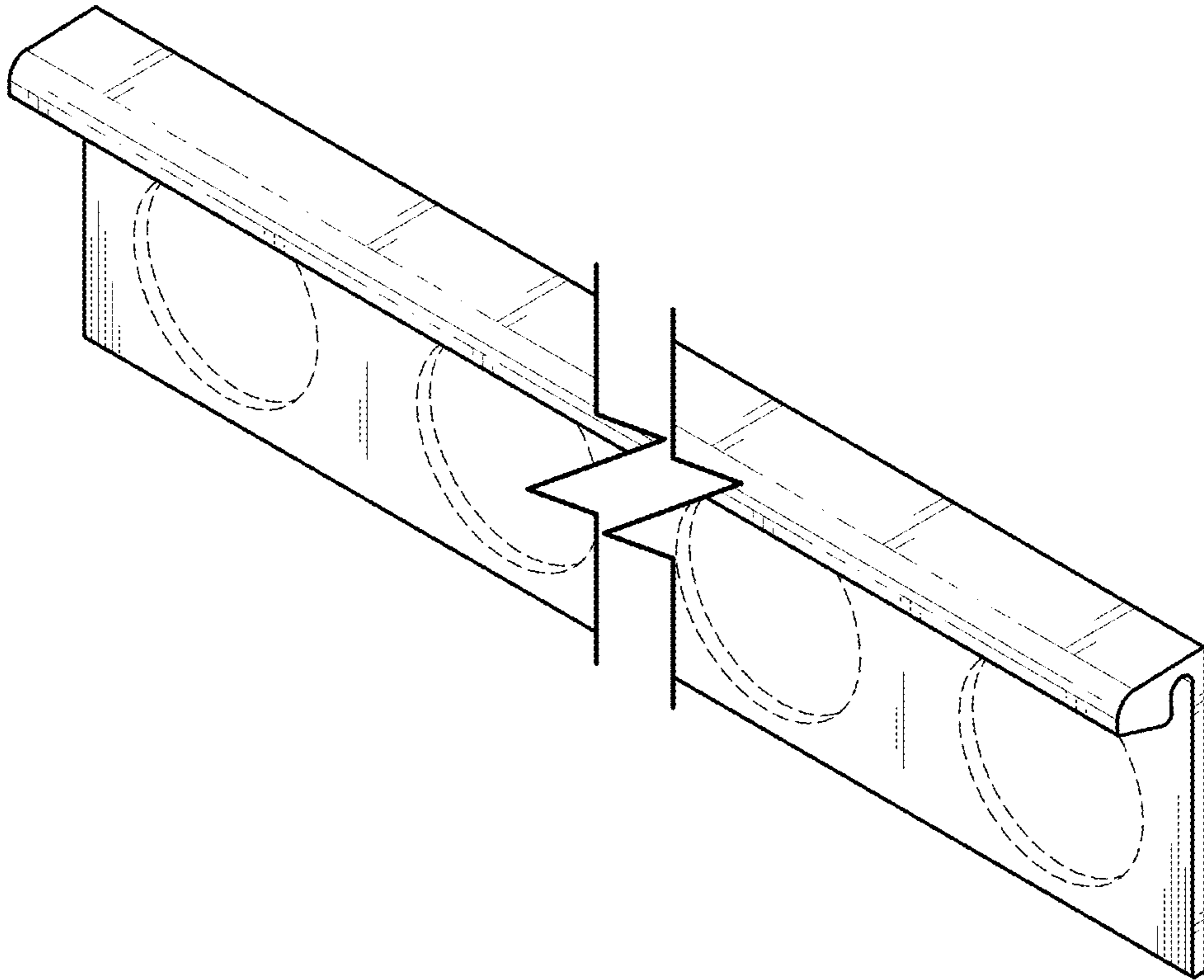
The broken lines shown in the figures are included for the purpose of illustrating portions of the tile trim and form no part of the claimed design.

The tile trim is shown with a symbolic break in its length.

The appearance of any portion of the article between the break lines forms no part of the claimed design.

**1 Claim, 3 Drawing Sheets**





*FIG. 1*

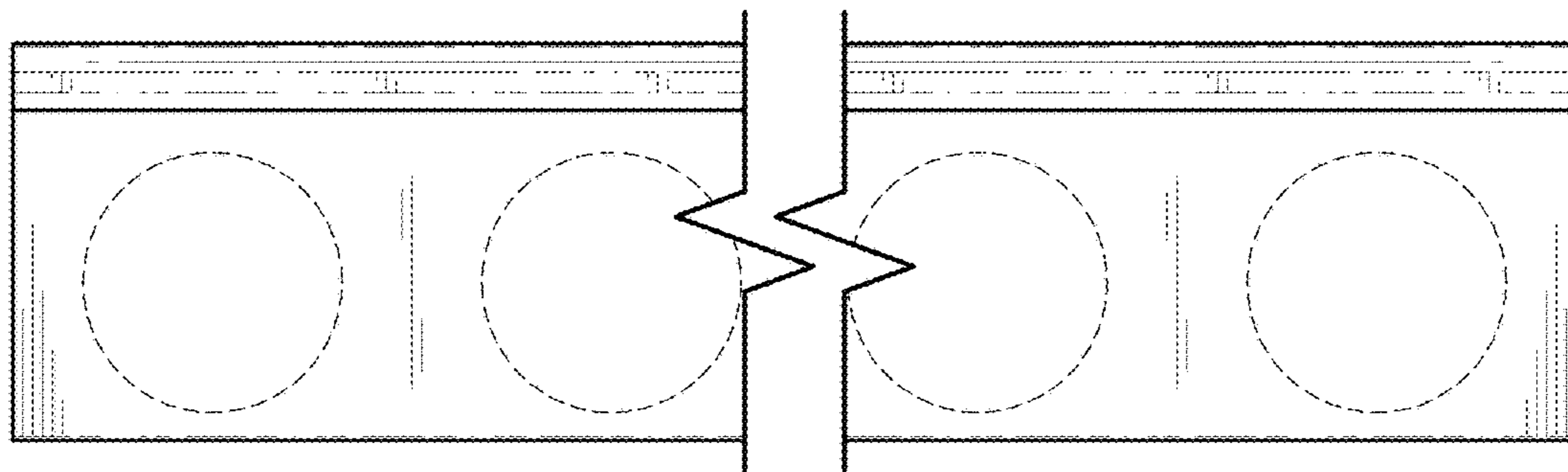
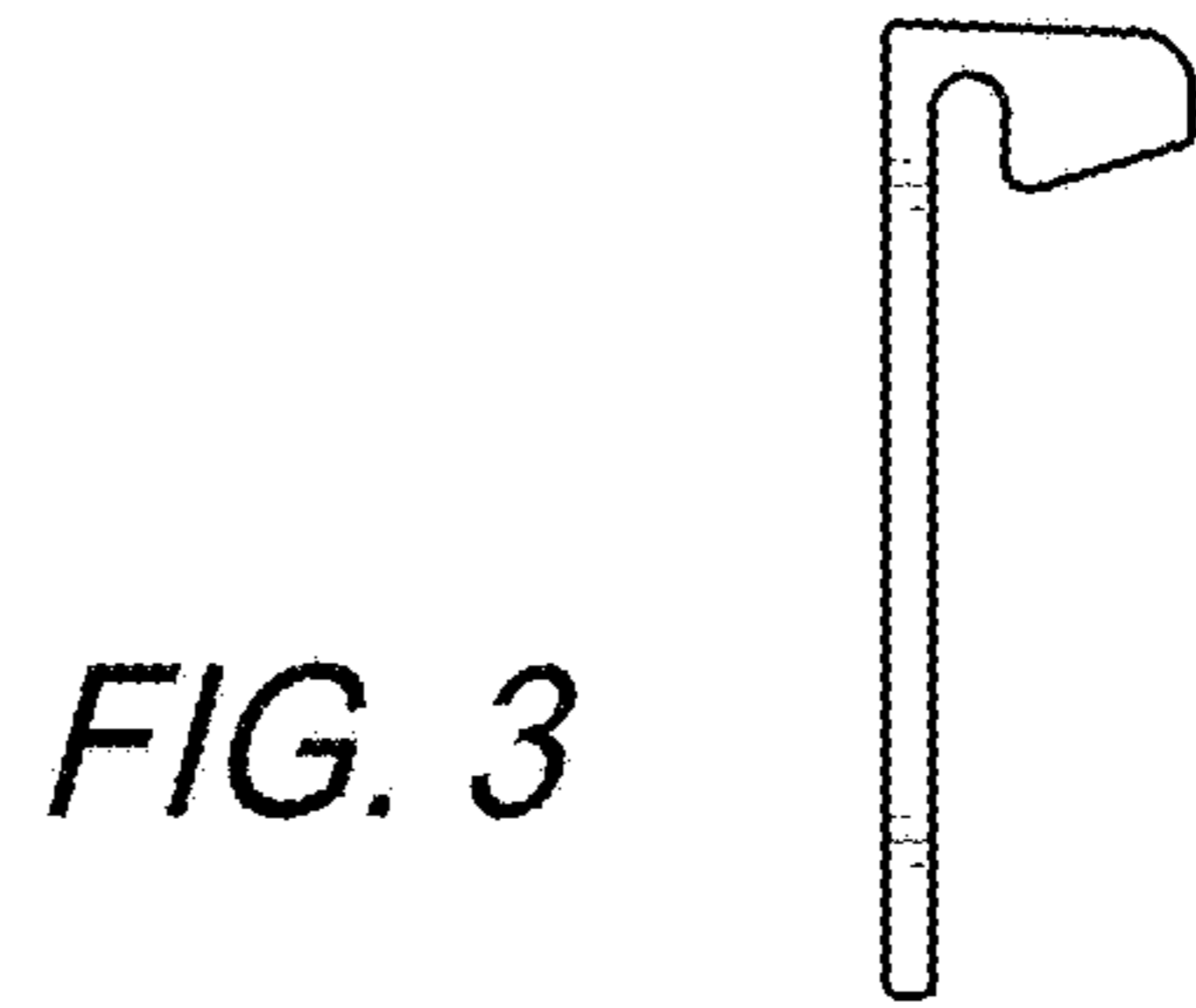
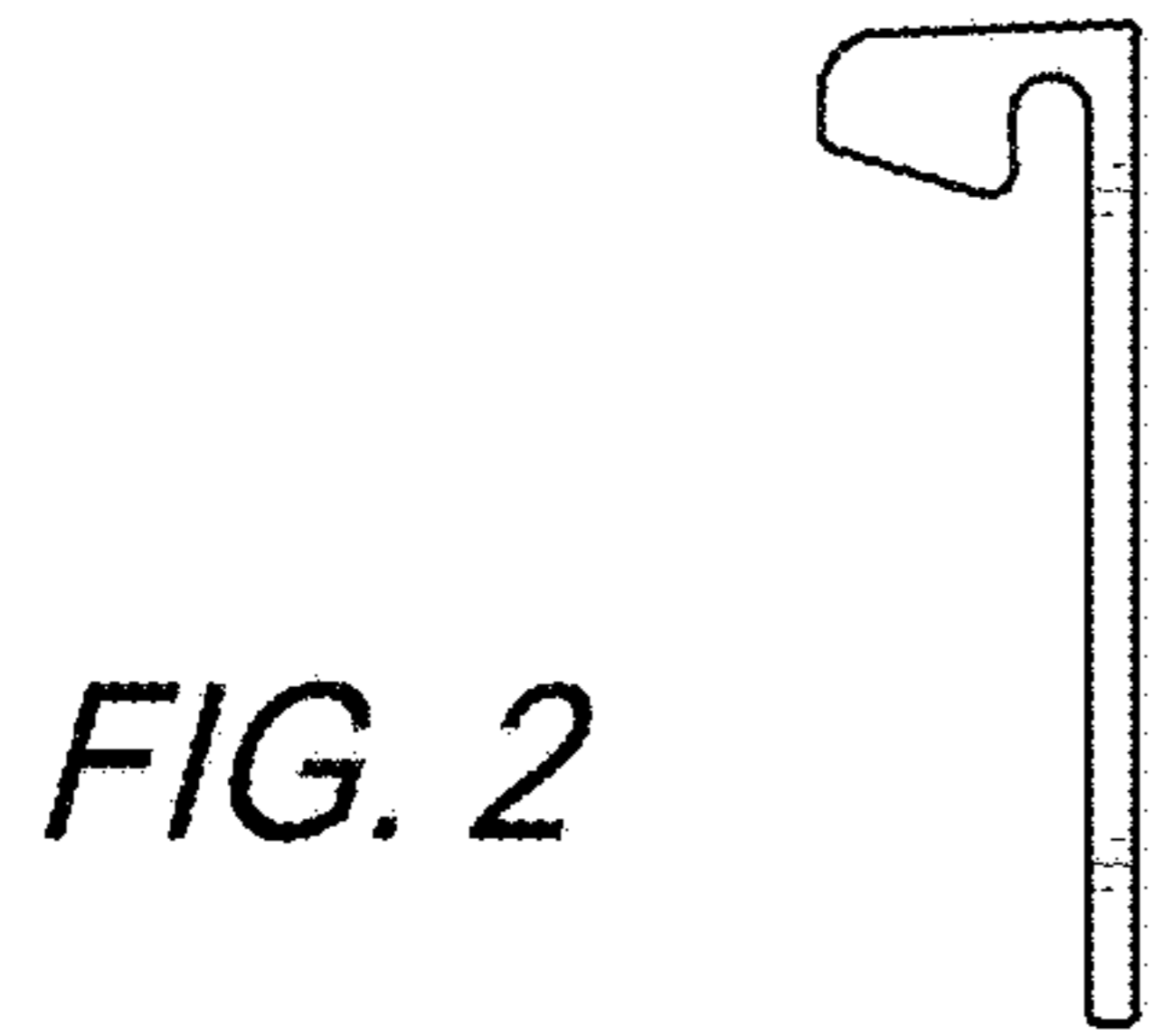


FIG. 4

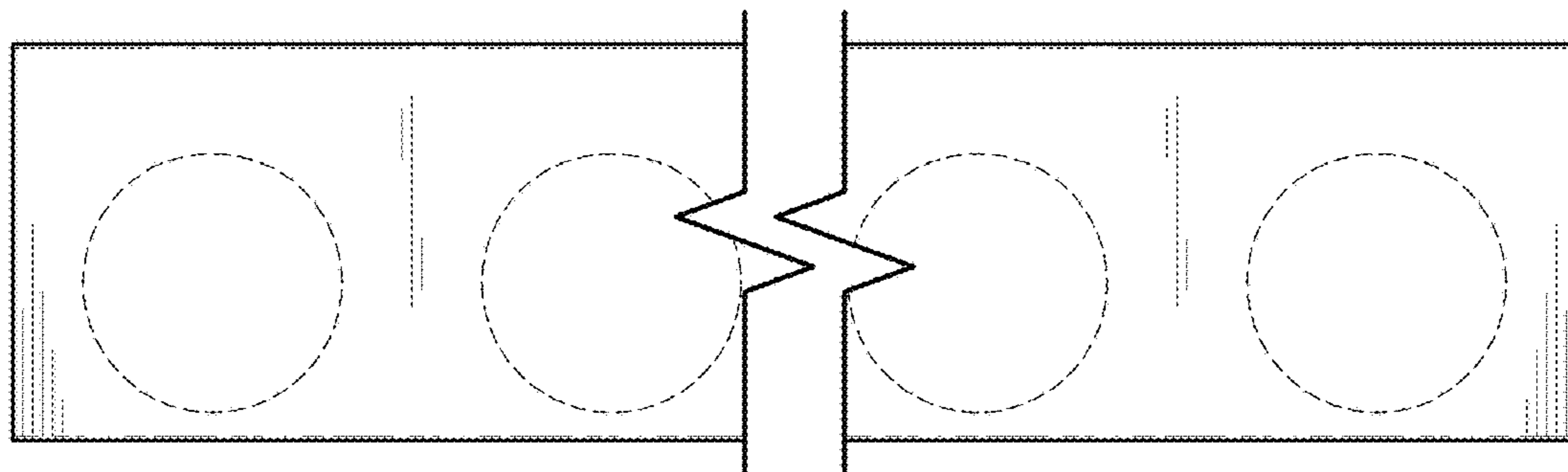
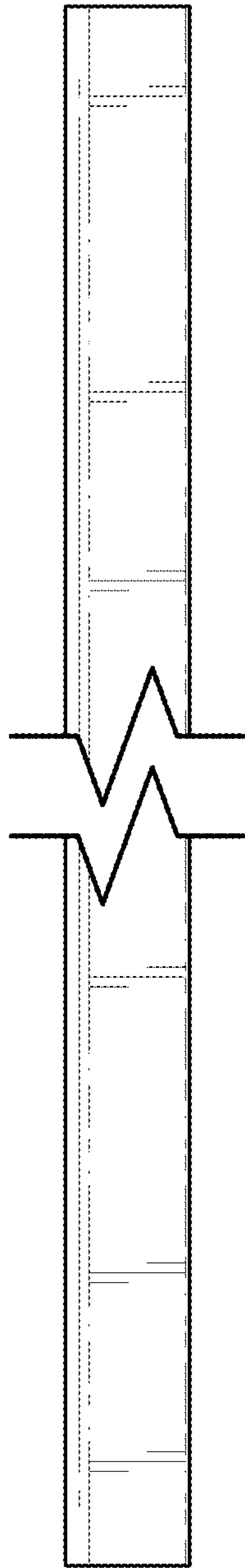
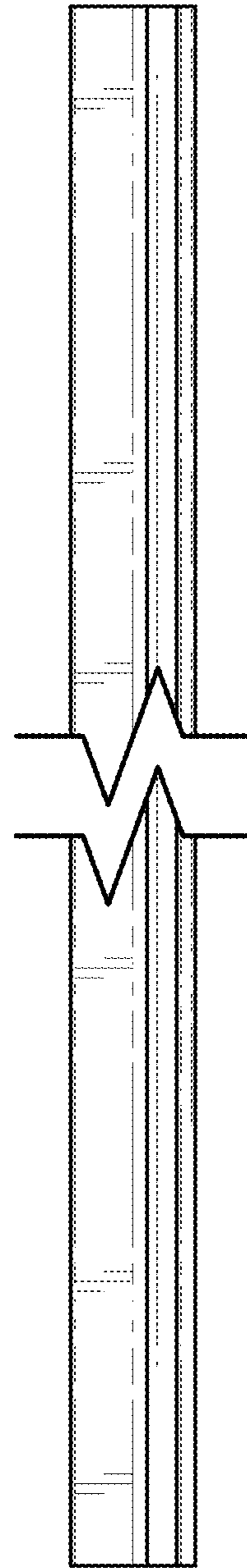


FIG. 5



*FIG. 6*



*FIG. 7*