



US00D790734S

(12) **United States Design Patent**
Singh

(10) **Patent No.:** **US D790,734 S**

(45) **Date of Patent:** **** Jun. 27, 2017**

- (54) **TRIM REVEAL EXTRUSION**
- (71) Applicant: **Joshua George Singh**, Calgary (CA)
- (72) Inventor: **Joshua George Singh**, Calgary (CA)
- (**) Term: **15 Years**
- (21) Appl. No.: **29/559,889**
- (22) Filed: **Mar. 31, 2016**
- (51) **LOC (10) Cl.** **25-01**
- (52) **U.S. Cl.**
USPC **D25/119**
- (58) **Field of Classification Search**
USPC D25/35, 38.1, 41.1, 42, 43, 44, 47.1,
D25/48.1, 48.4, 58, 119-123, 125, 136,
D25/137, 164, 199; 52/62, 169.5, 254,
52/255, 281, 282.1, 287.1, 288.1, 371,
52/459, 461, 465, 471, 472, 716.2, 706,
52/717.01; 160/368.1, 395; D8/349,
D8/354, 355, 366, 373, 377, 380, 381,
D8/403; D20/10, 43, 44
CPC E04F 2013/063; E04F 13/00; E04F 13/06;
E04F 15/142; E04F 19/02; E04F 19/0436;
E04F 19/0495; E04F 19/061; E04F 19/04;
B60R 13/04; B60R 13/0206; B60R 13/02;
A47B 95/00; A47B 96/201; E04C 2/08
See application file for complete search history.

- D313,858 S * 1/1991 Whitney D25/119
- D318,343 S * 7/1991 Miller D13/155
- 5,033,787 A * 7/1991 Takada B60J 7/123
160/395
- 5,039,246 A * 8/1991 Woodruff E06B 9/521
160/392
- D329,708 S * 9/1992 Valentin D25/125
- D340,110 S * 10/1993 Reed D23/386
- D344,595 S * 2/1994 Ehmke D25/119
- D379,299 S * 5/1997 Fitzgibbons D25/119
- D433,459 S * 11/2000 Balchin D20/44

* cited by examiner

Primary Examiner — Cynthia Ramirez
Assistant Examiner — Llorellys Martinez-Rivera
(74) *Attorney, Agent, or Firm* — Tai W. Nahm; Miller Thomson LLP

(57) **CLAIM**

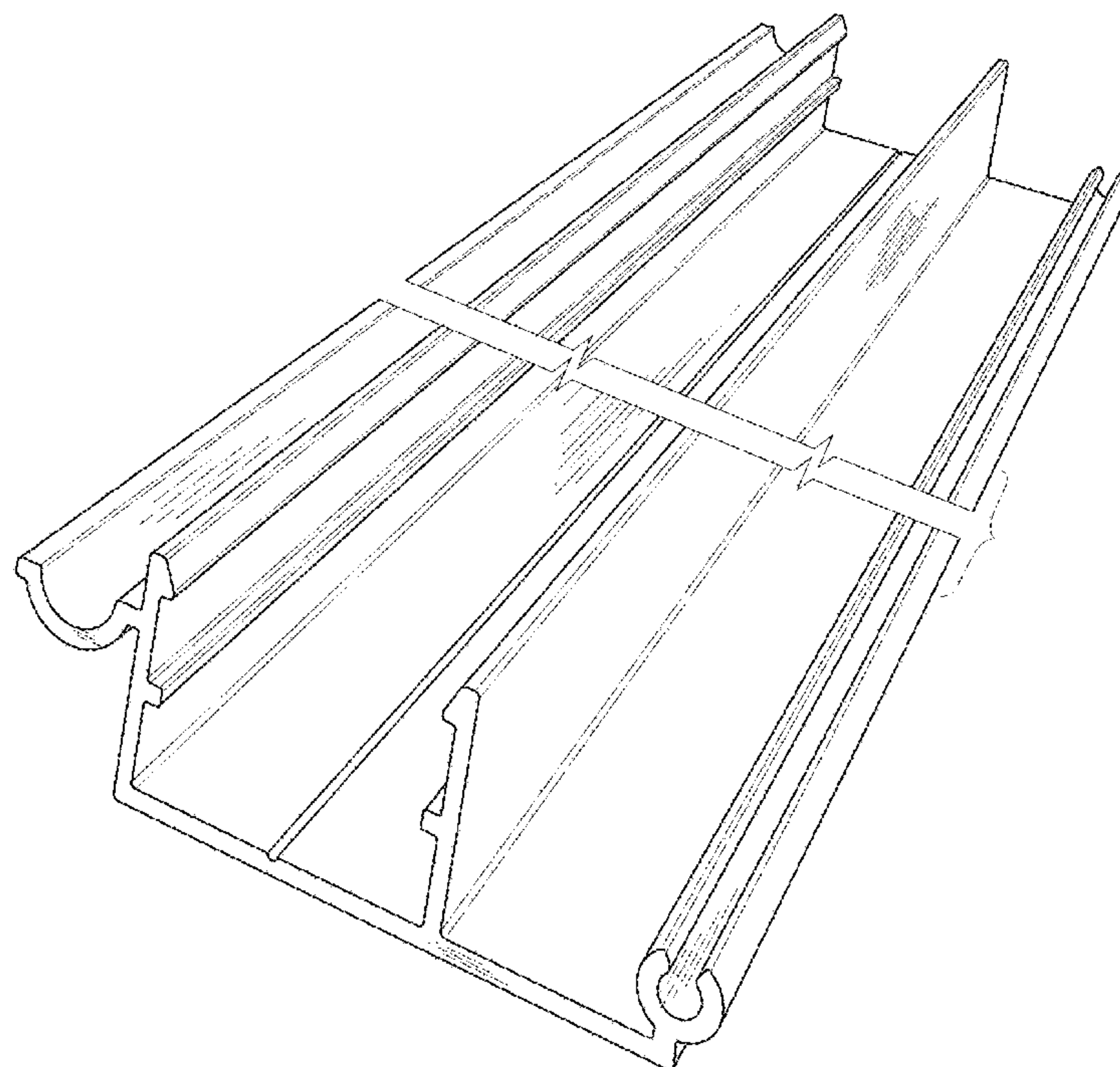
The ornamental design for a trim reveal extrusion, as shown and described.

DESCRIPTION

FIG. 1 is a perspective view of a trim reveal extrusion showing my new design. FIG. 2 is a cross-sectional view thereof; and, FIG. 3 is an end elevational view thereof, showing the trim reveal extrusion in an environment of use. The trim reveal extrusion is shown with a symbolic break in its length. The appearance of any portion of the trim reveal extrusion between the jagged break lines form no part of the claimed design.

- (56) **References Cited**
U.S. PATENT DOCUMENTS
D270,188 S * 8/1983 Whitehouse D25/119
D300,256 S * 3/1989 Schmidt D25/119

1 Claim, 1 Drawing Sheet



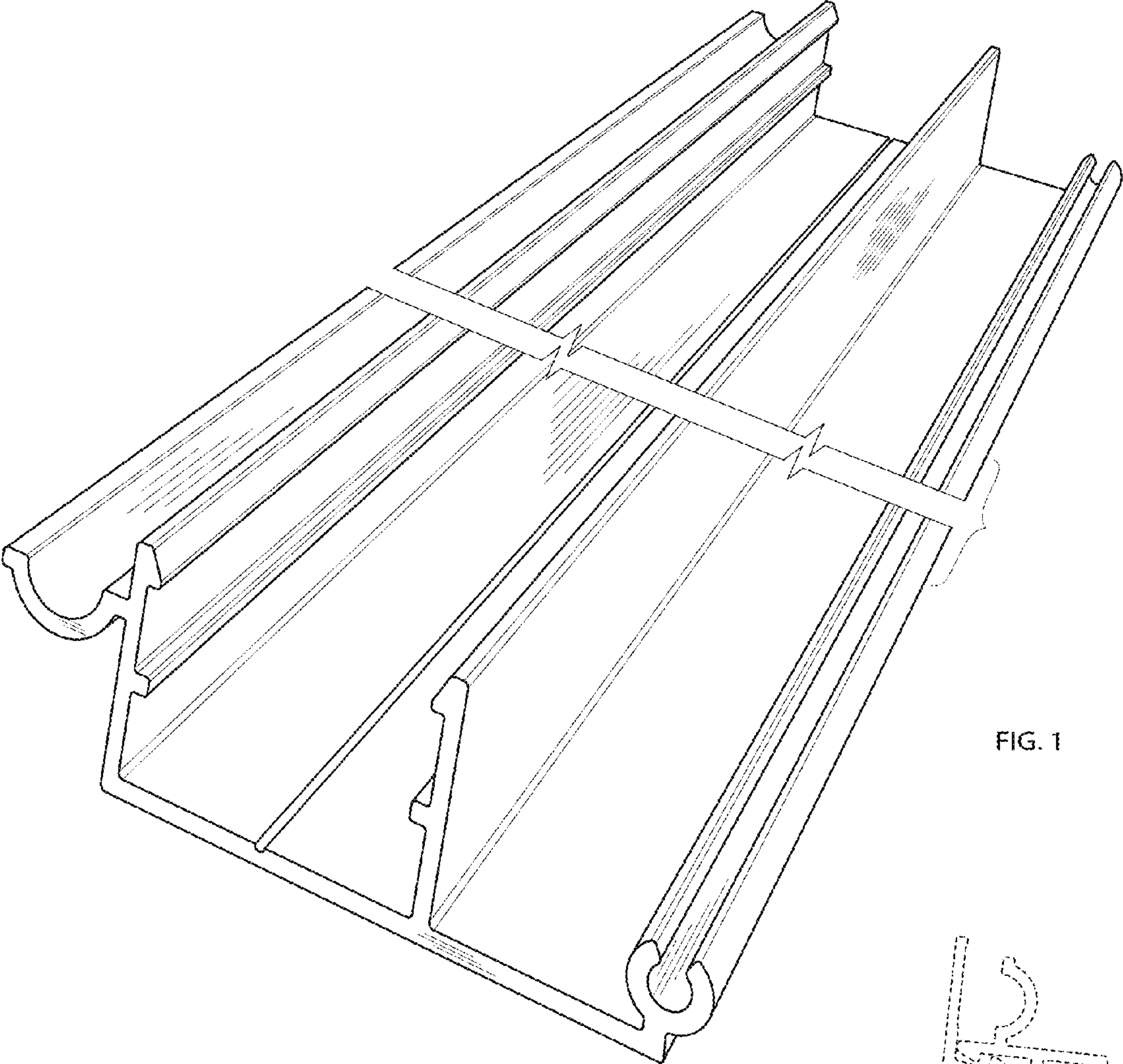


FIG. 1

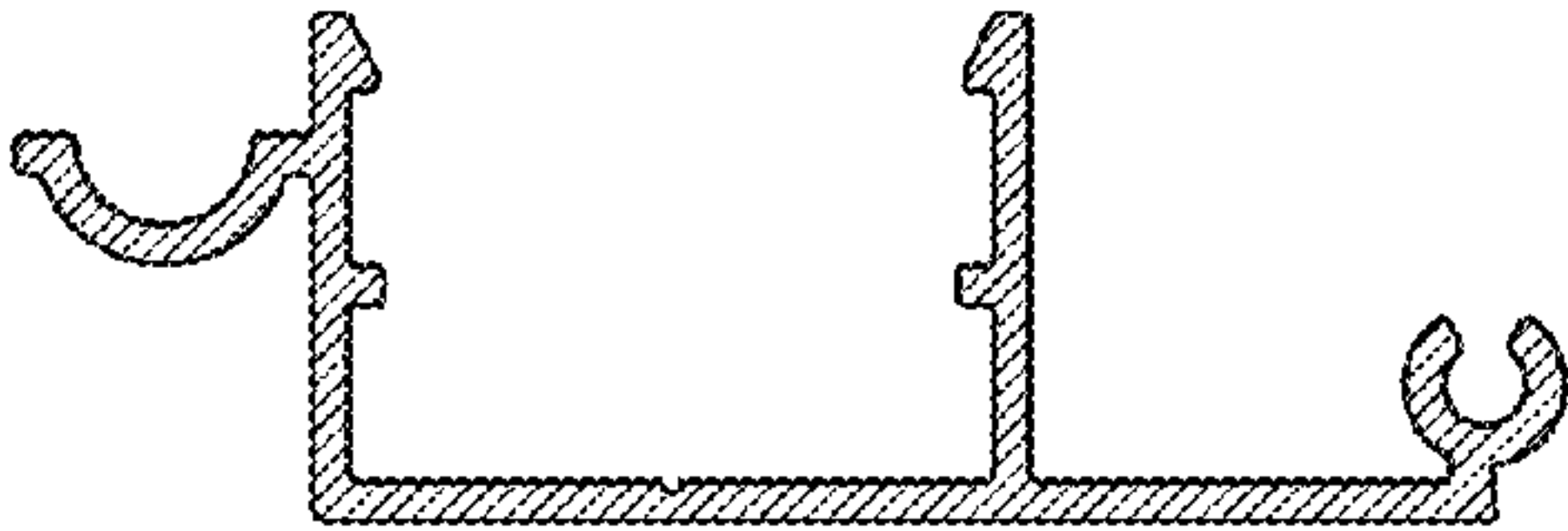


FIG. 2

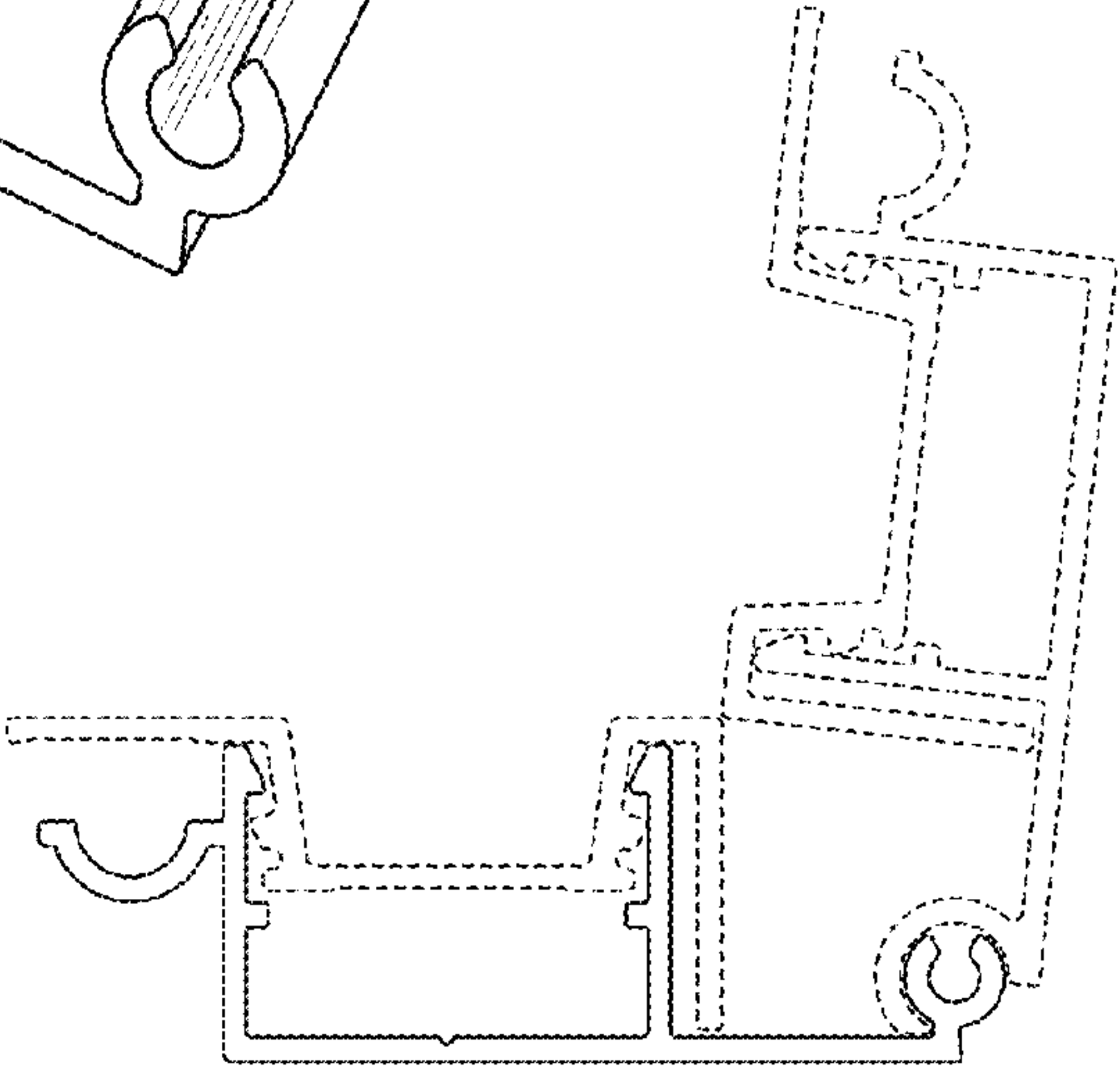


FIG. 3