



US00D790732S

(12) **United States Design Patent**  
**Singh**

(10) **Patent No.:** **US D790,732 S**

(45) **Date of Patent:** **\*\* Jun. 27, 2017**

- (54) **TRIM REVEAL EXTRUSION**
- (71) Applicant: **Joshua George Singh**, Calgary (CA)
- (72) Inventor: **Joshua George Singh**, Calgary (CA)
- (\*\*) Term: **15 Years**
- (21) Appl. No.: **29/549,776**
- (22) Filed: **Dec. 28, 2015**
- (51) **LOC (10) Cl.** ..... **25-01**
- (52) **U.S. Cl.**  
USPC ..... **D25/119**
- (58) **Field of Classification Search**  
USPC ..... D25/35, 38.1, 41.1, 42, 43, 44, 47.1,  
D25/48.1, 48.4, 58, 119-123, 125, 136,  
D25/137, 164, 199; 52/62, 169.5, 254,  
52/255, 281, 282.1, 287.1, 288.1, 371,  
52/459, 461, 465, 471, 472, 716.2, 706,  
52/717.01; 160/368.1, 395; D8/349,  
D8/354, 355, 366, 373, 377, 380, 381,  
D8/403; D20/10, 43, 44  
CPC ..... E04F 2013/063; E04F 13/00; E04F 13/06;  
E04F 15/142; E04F 19/02; E04F 19/0436;  
E04F 19/0495; E04F 19/061; E04F 19/04;  
B60R 13/04; B60R 13/0206; B60R 13/02;  
A47B 95/00; A47B 96/201; E04C 2/08  
See application file for complete search history.

- D313,858 S \* 1/1991 Whitney ..... D25/119
- D318,343 S \* 7/1991 Miller ..... D13/155
- 5,033,787 A \* 7/1991 Takada ..... B60J 7/123  
160/395
- 5,039,246 A \* 8/1991 Woodruff ..... E06B 9/521  
160/395
- D329,708 S \* 9/1992 Valentin ..... D25/125
- D340,110 S \* 10/1993 Reed ..... D23/386
- D344,595 S \* 2/1994 Ehmke ..... D25/119
- D379,299 S \* 5/1997 Fitzgibbons ..... D25/119
- D433,459 S \* 11/2000 Balchin ..... D20/44

\* cited by examiner

*Primary Examiner* — Cynthia Ramirez  
*Assistant Examiner* — Llorellys Martinez-Rivera  
 (74) *Attorney, Agent, or Firm* — Tai W. Nahm; Miller Thomson LLP

(57) **CLAIM**

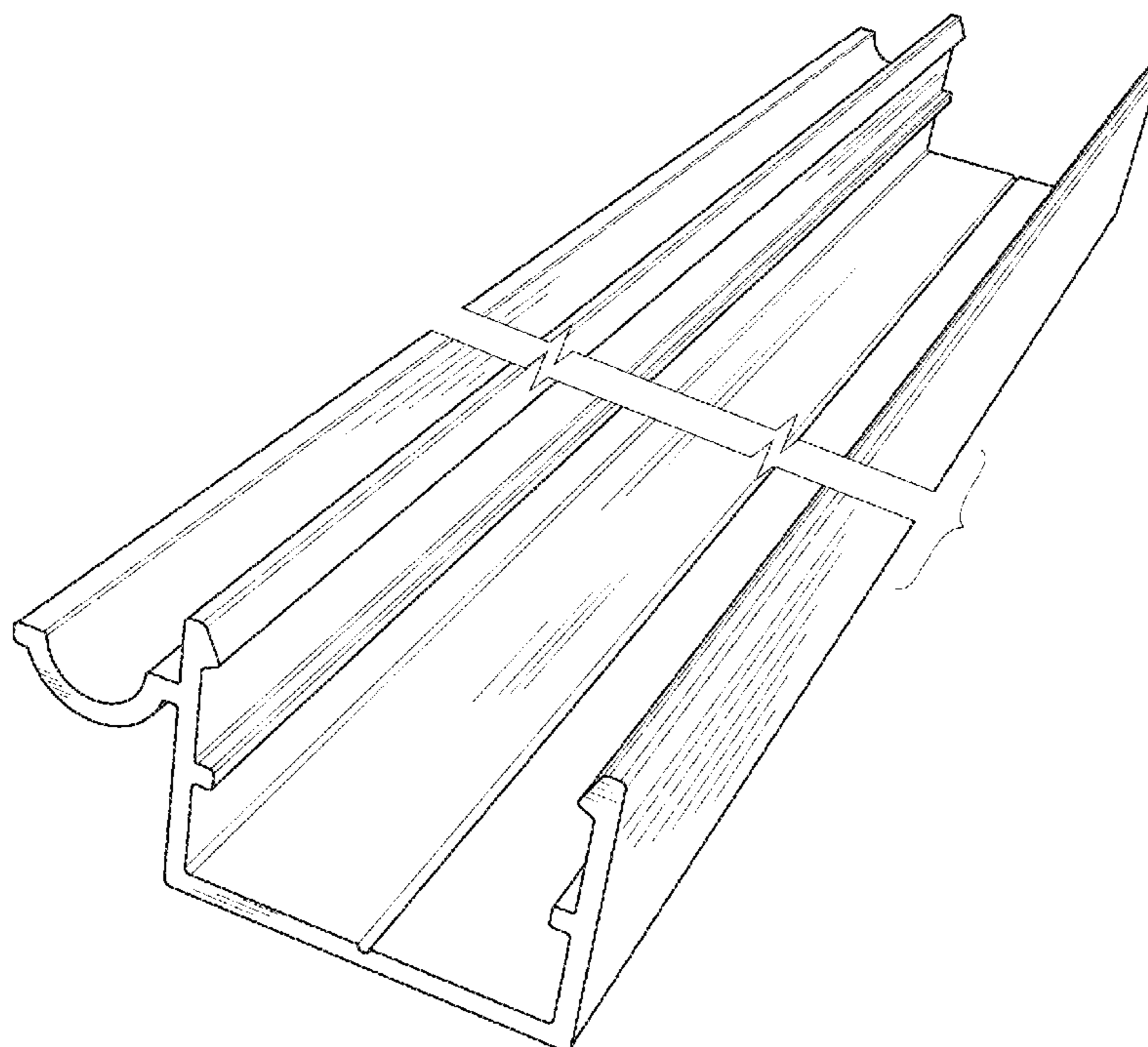
The ornamental design for a trim reveal extrusion, as shown and described.

**DESCRIPTION**

FIG. 1 is a perspective view of a trim reveal extrusion showing my new design.  
 FIG. 2 is a cross-sectional view thereof; and,  
 FIG. 3 is an end elevational view thereof, showing the trim reveal extrusion in an environment of use.  
 The broken lines are for environmental purposes only and form no part of the claimed design.  
 The trim reveal extrusion is shown with a symbolic break in its length. The appearance of any portion of the trim reveal extrusion between the jagged break lines form no part of the claimed design.

- (56) **References Cited**  
U.S. PATENT DOCUMENTS  
D270,188 S \* 8/1983 Whitehouse ..... D25/119  
D300,256 S \* 3/1989 Schmidt ..... D25/119

**1 Claim, 1 Drawing Sheet**



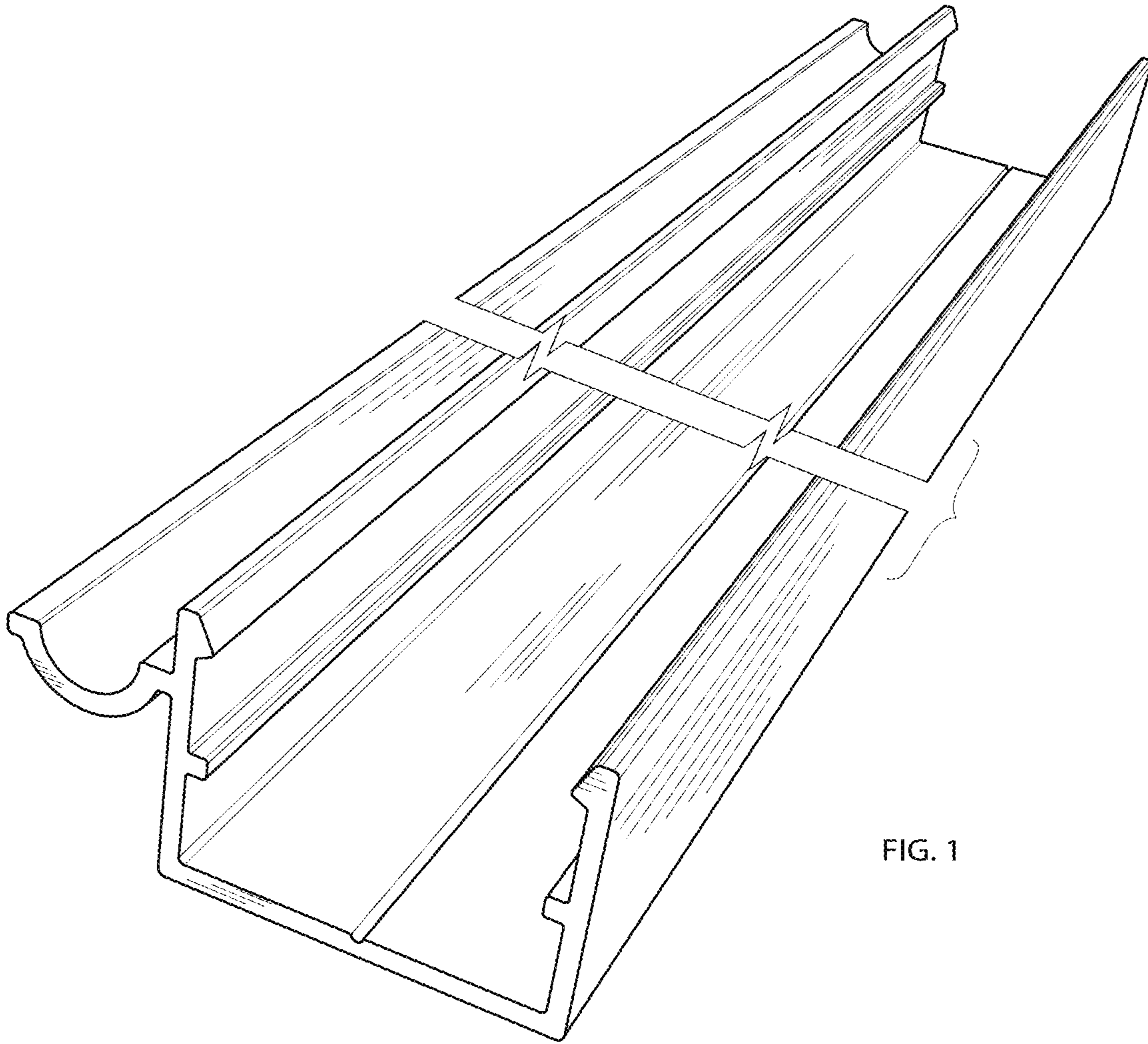


FIG. 1

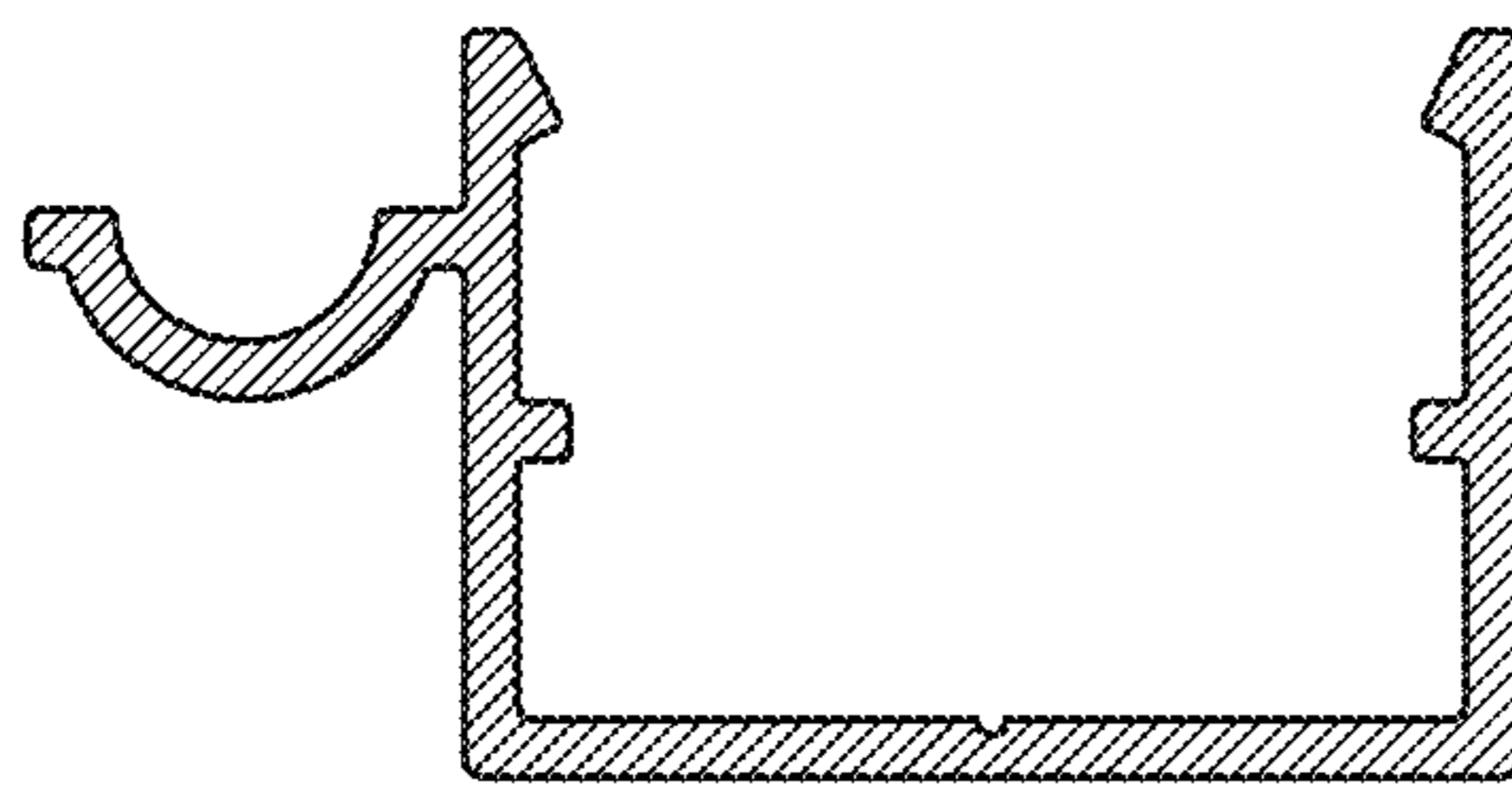


FIG. 2

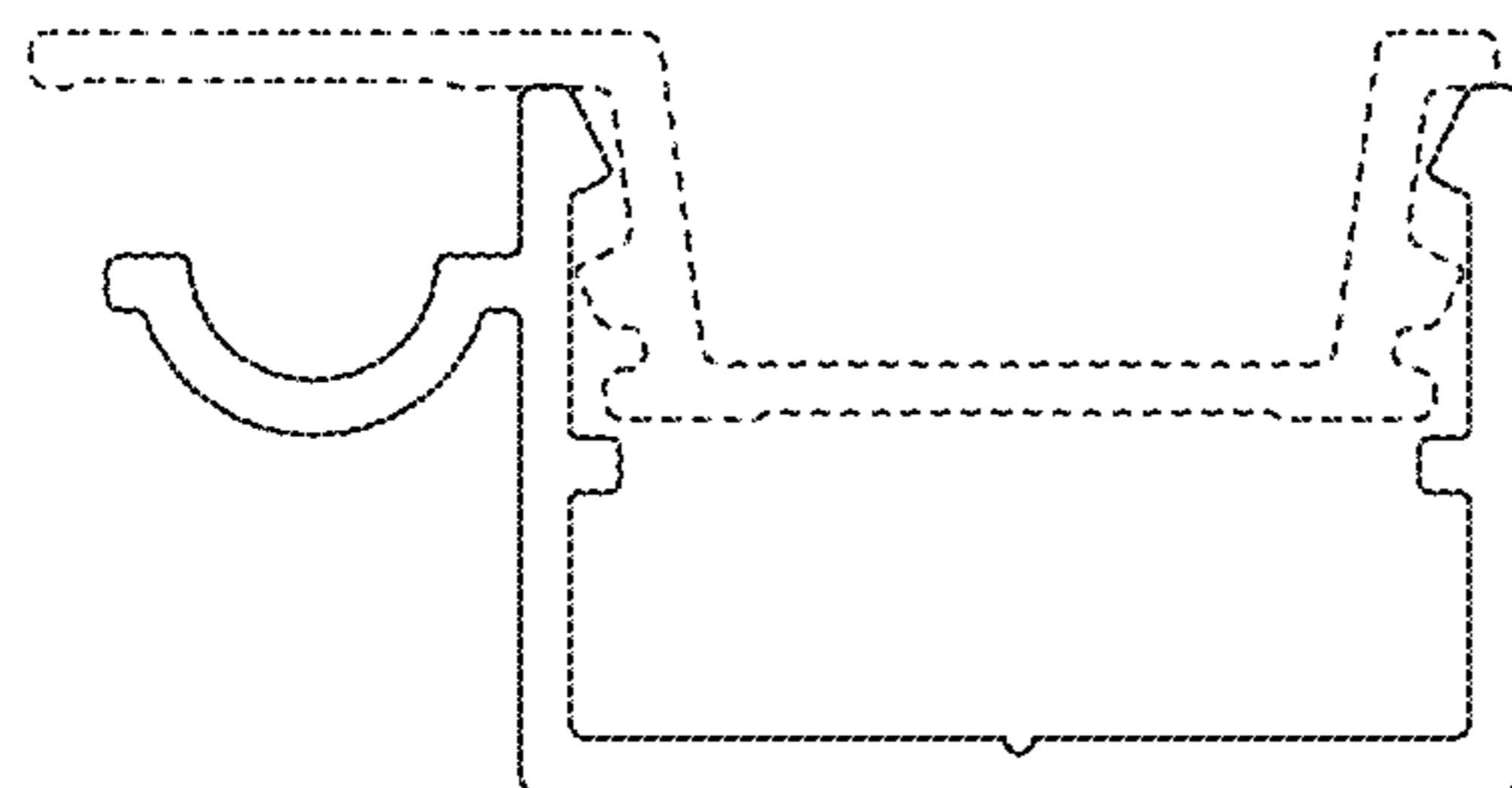


FIG. 3