



US00D790730S

(12) **United States Design Patent**
Prado Perez

(10) **Patent No.:** **US D790,730 S**

(45) **Date of Patent:** **** Jun. 27, 2017**

(54) **PARTITION SYSTEM FRAME**

D733,937 S * 7/2015 Hillstrom D25/122
D735,356 S * 7/2015 Hillstrom D25/122
D765,882 S * 9/2016 Deleu D25/122

(71) Applicant: **Cesar Carlos Prado Perez**, Miramar,
FL (US)

* cited by examiner

(72) Inventor: **Cesar Carlos Prado Perez**, Miramar,
FL (US)

Primary Examiner — Susan Bennett Hattan

Assistant Examiner — Leanne Was-Englehart

(**) Term: **15 Years**

(74) *Attorney, Agent, or Firm* — Dunlap Bennett &
Ludwig PLLC

(21) Appl. No.: **29/531,891**

(57) **CLAIM**

(22) Filed: **Jun. 30, 2015**

The ornamental design for a partition system frame, as
shown and described.

(51) **LOC (10) Cl.** **25-02**

(52) **U.S. Cl.**

DESCRIPTION

USPC **D25/58**

(58) **Field of Classification Search**

USPC D25/58, 60, 61, 119, 120, 121, 122, 123,
D25/124, 125, 164; 52/238.1, 239, 240,
52/241, 242, 243.1

CPC E04B 2/7863; E04B 2/76

See application file for complete search history.

(56) **References Cited**

U.S. PATENT DOCUMENTS

D203,582 S * 2/1966 Hinrichs et al. D25/121
D248,823 S * 8/1978 Eckerline D25/121
D270,479 S * 9/1983 Braswell D25/121
4,584,804 A * 4/1986 Tajima E04B 2/7863
52/209
D473,661 S * 4/2003 Kim D25/122
D501,937 S * 2/2005 Mitrevics D25/124
D621,073 S * 8/2010 Bergmann D25/122

FIG. 1 is an isometric view of a partition system frame,
shown in use;

FIG. 2 is an isometric view thereof, shown in use;

FIG. 3 is an isometric view thereof;

FIG. 4 is a top plan view thereof, the bottom plan view being
a mirror image thereof;

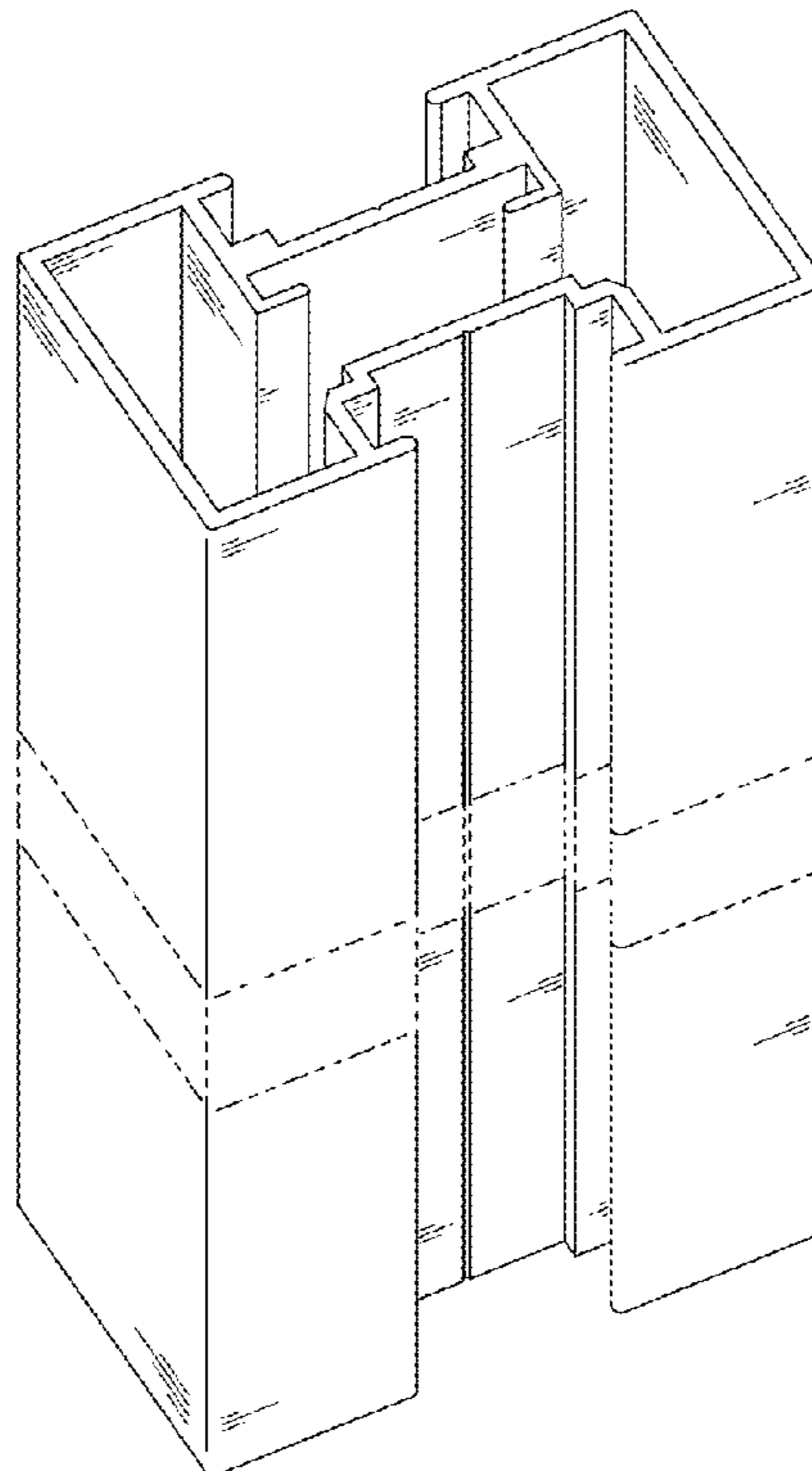
FIG. 5 is a left side elevation view thereof, the right side
elevation view being mirror image thereof; and,

FIG. 6 is a front elevation view thereof, the rear elevation
view being a mirror image thereof.

The even-length dashed broken lines shown in the drawings
illustrate portions of the partition system frame that form no
part of the claimed design, while the uneven-length dashed-
dot lines define the bounds of the claimed design.

The appearance of any portion of the article between the
break lines forms no part of the claimed design.

1 Claim, 4 Drawing Sheets



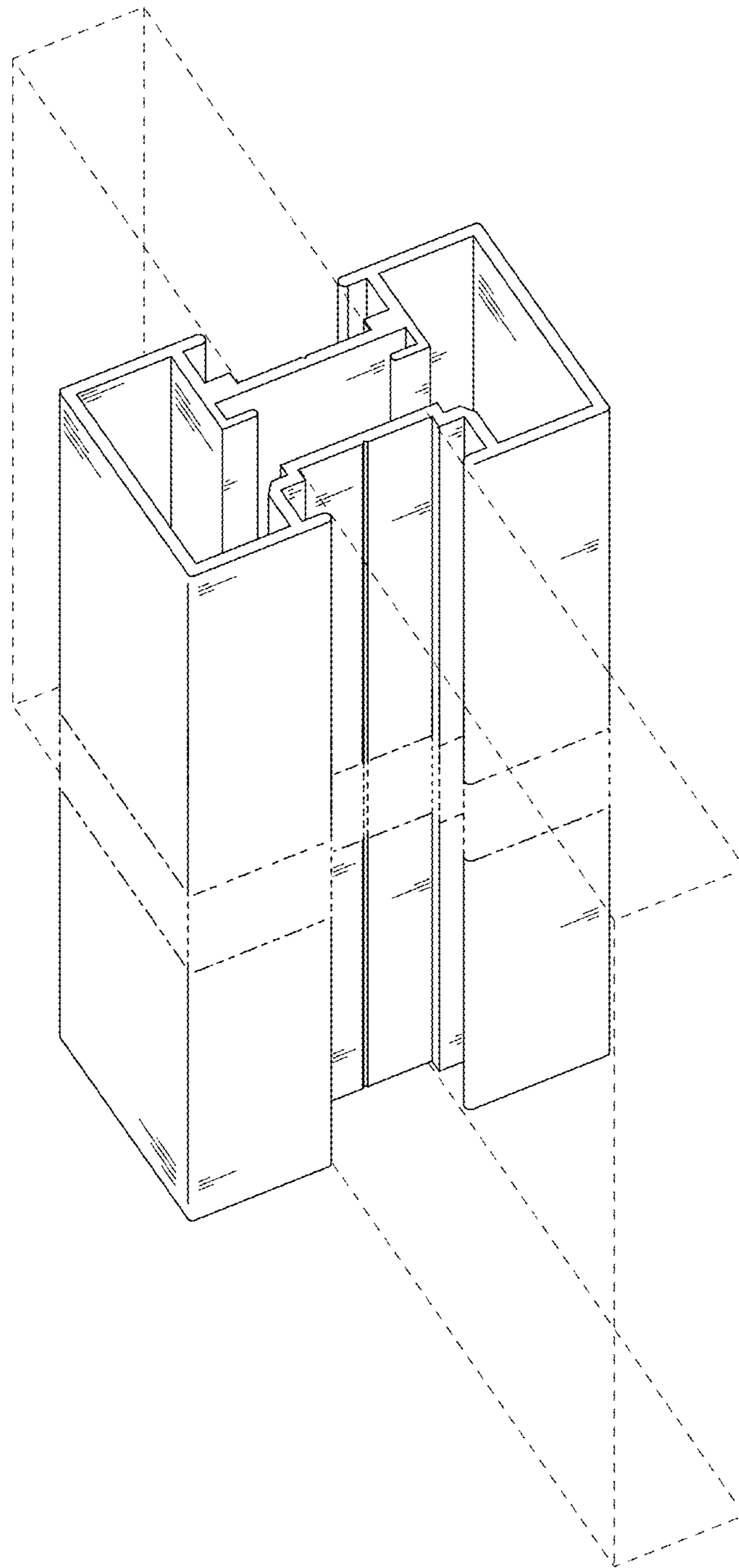


FIG. 1

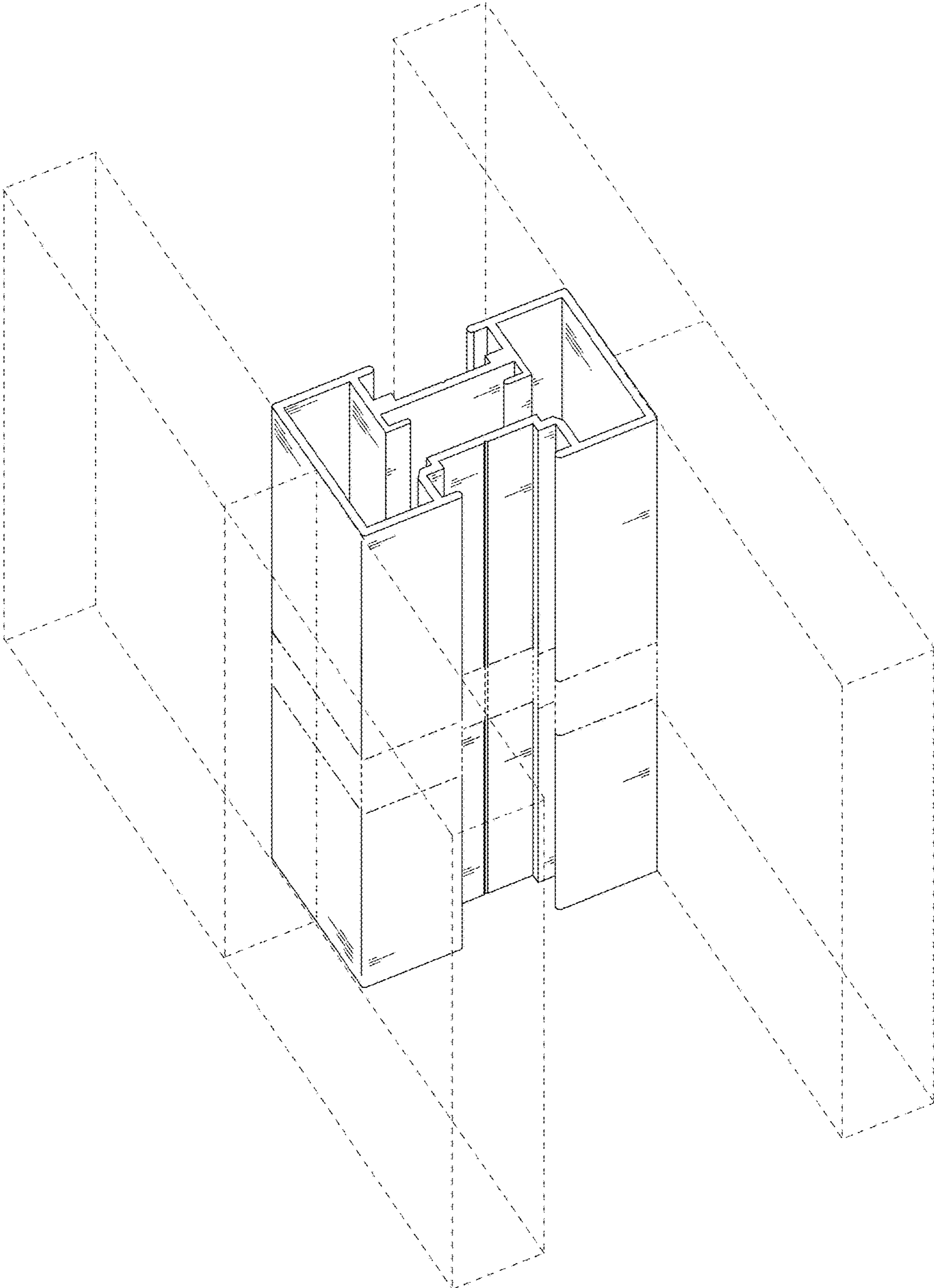


FIG. 2

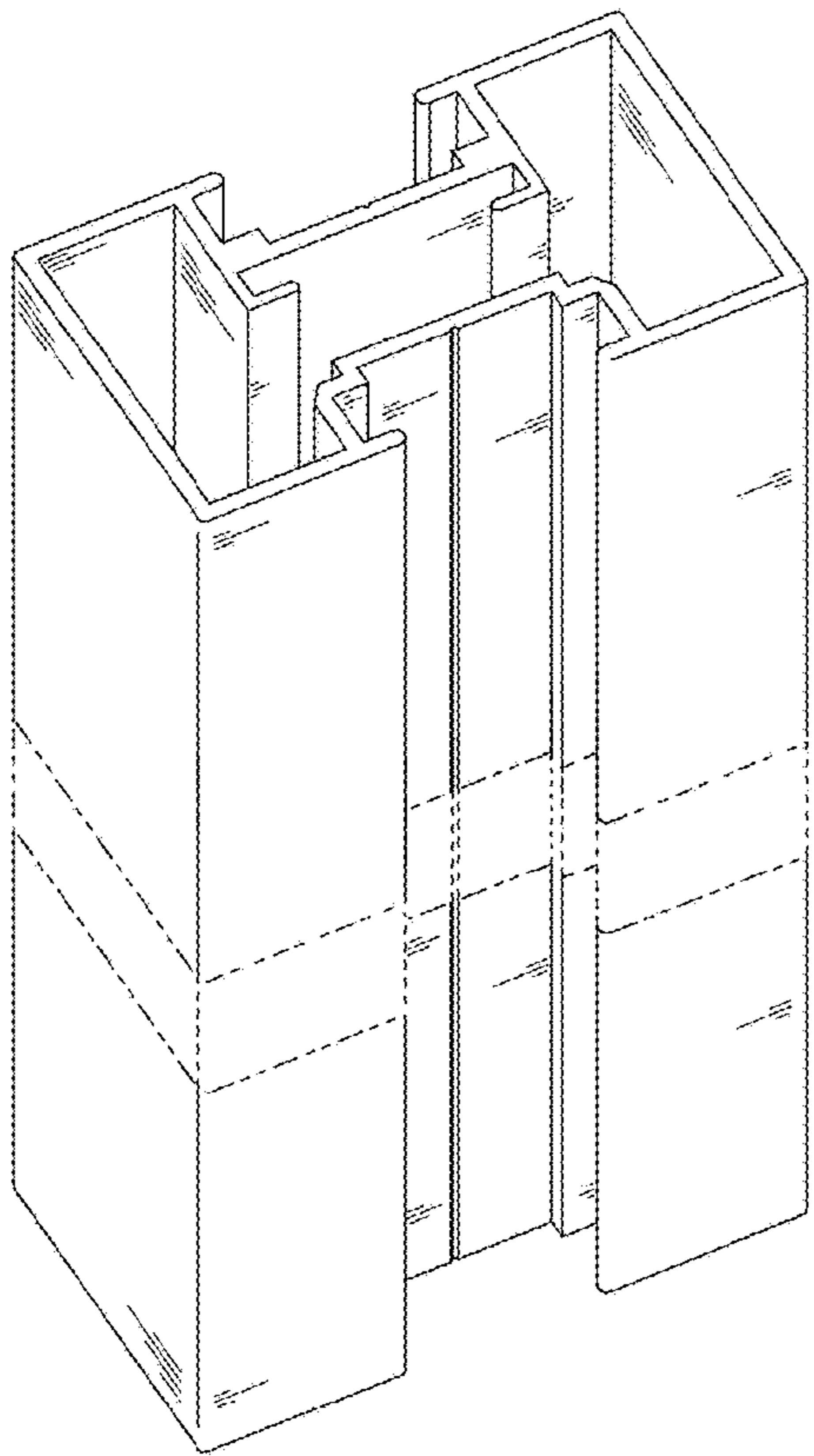


FIG. 3

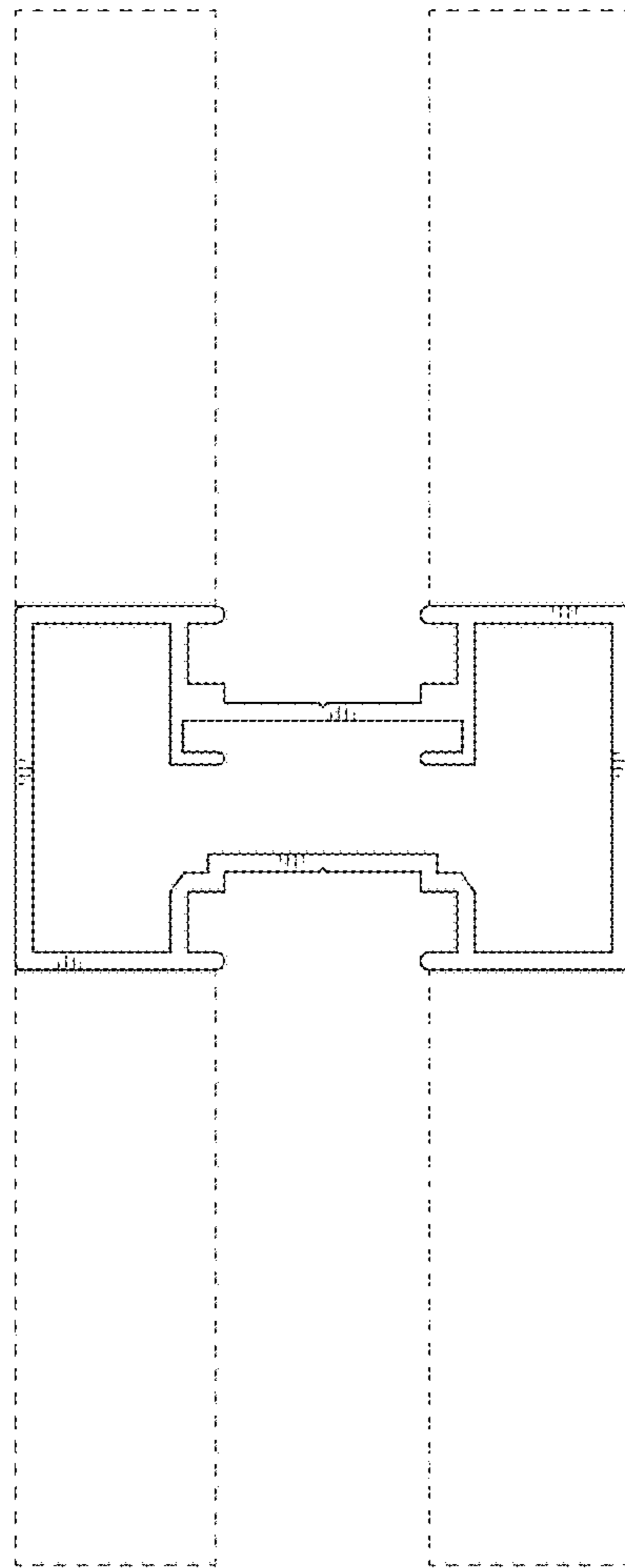


FIG. 4

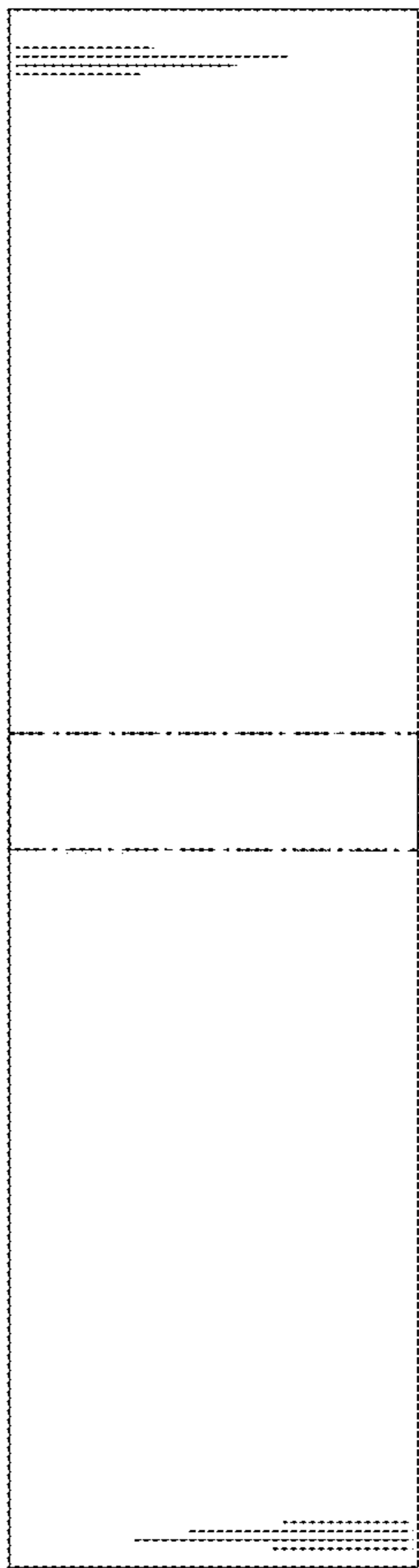


FIG. 5

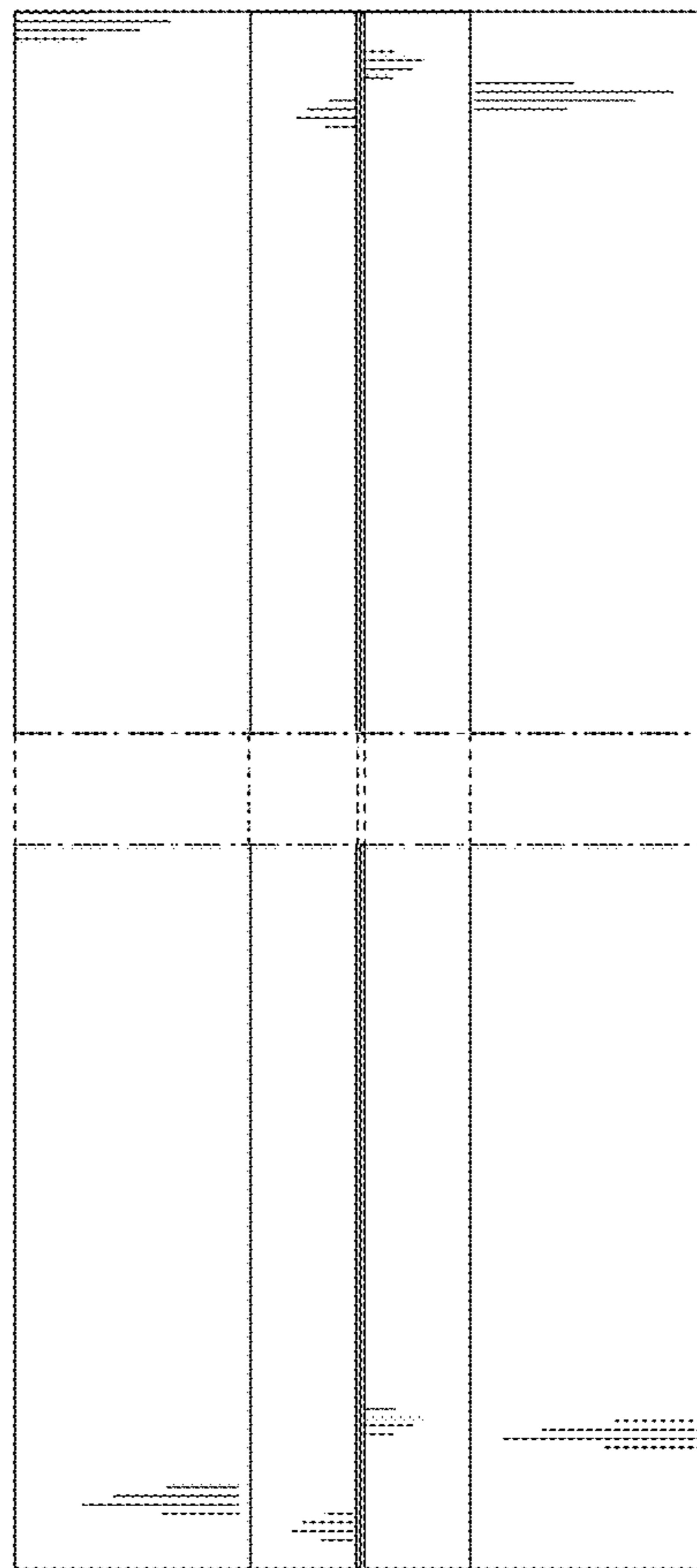


FIG. 6