



US00D790729S

(12) **United States Design Patent** (10) **Patent No.:** **US D790,729 S**  
**Wysock** (45) **Date of Patent:** **\*\* Jun. 27, 2017**

(54) **DOOR FACING**

3,308,013 A 3/1967 Bryant  
3,478,861 A 11/1969 Elmendorf  
4,007,767 A 2/1977 Colledge  
(Continued)

(71) Applicant: **Masonite Corporation**, Tampa, FL  
(US)

(72) Inventor: **Gregory J. Wysock**, Huntley, IL (US)

**FOREIGN PATENT DOCUMENTS**

(73) Assignee: **Masonite Corporation**, Tampa, FL  
(US)

CA 2183601 7/1997  
CN 102691460 9/2012  
(Continued)

(\*\*) Term: **15 Years**

**OTHER PUBLICATIONS**

(21) Appl. No.: **29/542,329**

(22) Filed: **Oct. 13, 2015**

Speakeasy Front Door Slab, Home Depot, [online], [site visited Aug. 26, 2016]. <URL: <http://www.homedepot.com/p/Main-Door-36-in-x-80-in-Rustic-Mahogany-Type-Prefinished-Distressed-Solid-Wood-Speakeasy-Front-Door-Slab-SH-901-RUSTIC/203340021>>.

(Continued)

**Related U.S. Application Data**

(63) Continuation of application No. 29/460,781, filed on Jul. 15, 2013, now Pat. No. Des. 740,963.

(51) **LOC (10) Cl.** ..... **25-02**

(52) **U.S. Cl.**  
USPC ..... **D25/48.3**

(58) **Field of Classification Search**  
USPC ..... D25/48.3, 48.4, 48.5, 48.6, 48.7, 48.8,  
D25/138; 49/382, 501, 504, 506;  
52/207, 208, 311.2, 311.3, 313, 455-458,  
52/474, 475.1, 781, 784.16; 428/45  
CPC ... E06B 3/72; E06B 3/78; E06B 3/485; E06B  
3/4636; E06B 2003/7044; E06B 1/04;  
E06B 5/00

See application file for complete search history.

*Primary Examiner* — Susan Bennett Hattan  
*Assistant Examiner* — Leanne Was-Englehart  
(74) *Attorney, Agent, or Firm* — Berenato & White, LLC

(57) **CLAIM**

The ornamental design for a door facing, as shown and described.

**DESCRIPTION**

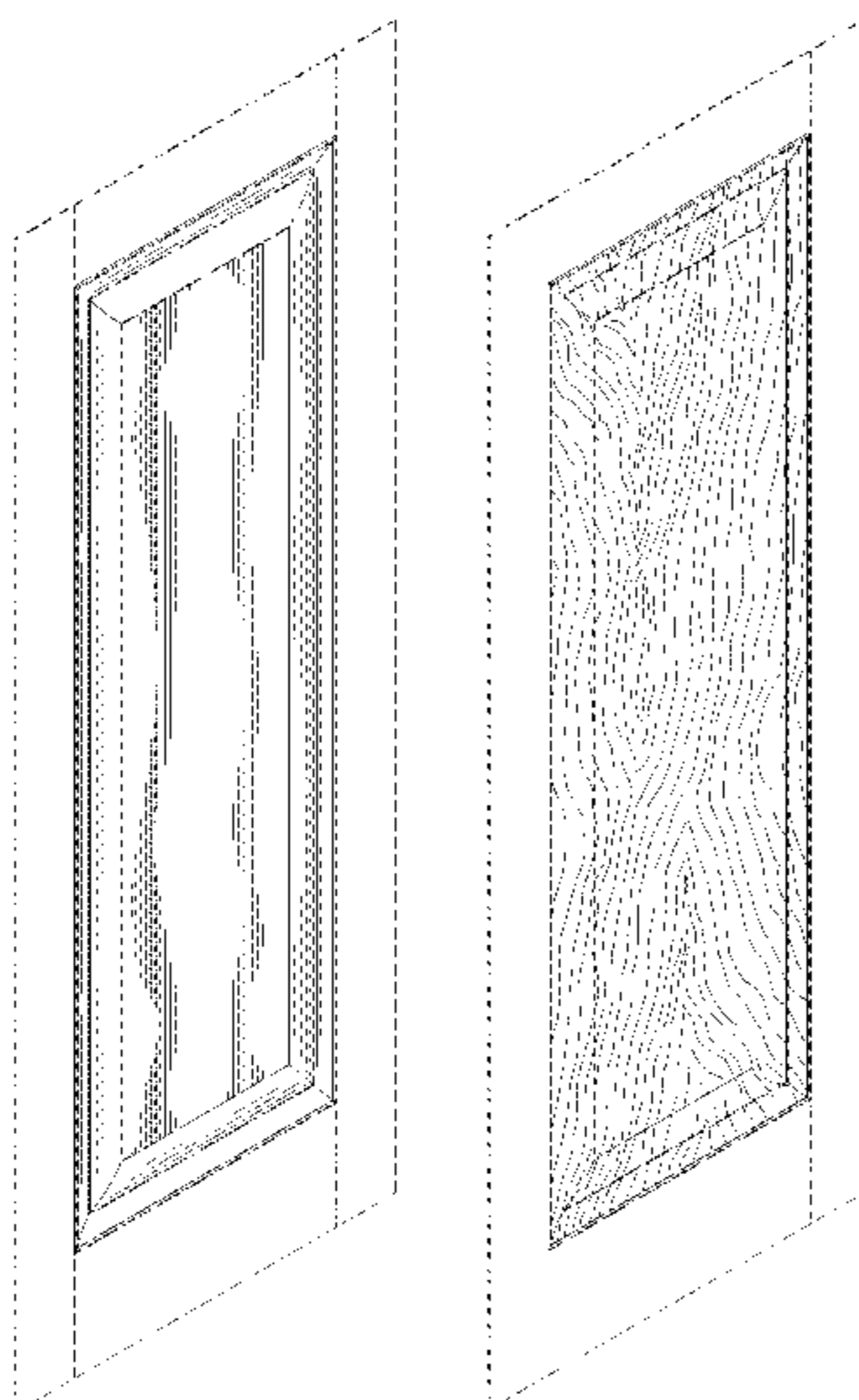
FIG. 1 is a front perspective view of my design, with the rear perspective view being a mirror image thereof; FIG. 2 is a front elevational view of FIG. 1; FIG. 3 is a magnified view of a portion of FIG. 2; FIG. 4 is a front perspective view of a first variation of my design, with the rear perspective view being a mirror image thereof; FIG. 5 is a front elevational view of FIG. 4; and, FIG. 6 is a magnified view of a portion of FIG. 5. The broken lines indicate environment and form no part of the claimed design.

(56) **References Cited**

**U.S. PATENT DOCUMENTS**

749,511 A 1/1904 Anderson  
848,661 A 4/1907 Kostelanitz  
877,922 A 2/1908 Gager  
977,712 A \* 12/1910 Crump ..... E06B 3/5454  
52/457  
2,343,740 A 3/1944 Birmingham  
2,831,793 A 4/1958 Elmendorf  
3,098,781 A 7/1963 Greten

**1 Claim, 6 Drawing Sheets**



(56)

References Cited

U.S. PATENT DOCUMENTS

4,104,429 A 8/1978 Colledge  
 4,183,393 A 1/1980 Bailey  
 D255,838 S 7/1980 Emanuel  
 4,221,758 A 9/1980 Burkey et al.  
 4,246,310 A 1/1981 Hunt et al.  
 4,327,535 A 5/1982 Governale  
 D265,932 S 8/1982 Simpson  
 4,361,612 A 11/1982 Shaner et al.  
 4,364,984 A 12/1982 Wentworth  
 4,441,301 A 4/1984 Benson  
 4,546,585 A 10/1985 Governale  
 4,610,913 A 9/1986 Barnes  
 4,853,062 A 8/1989 Gartland  
 D304,983 S 12/1989 Palka  
 4,913,639 A 4/1990 Wheeler  
 5,016,414 A 5/1991 Wang  
 5,074,087 A 12/1991 Green  
 5,075,059 A 12/1991 Green  
 D338,718 S 8/1993 Izzo  
 5,239,799 A 8/1993 Bies  
 5,293,726 A 3/1994 Schick  
 5,479,128 A 12/1995 Jan  
 5,543,234 A 8/1996 Lynch et al.  
 D382,350 S 8/1997 Lynch  
 6,479,128 B1 11/2002 Schafernak et al.  
 D467,350 S 12/2002 Jimenez et al.  
 D472,330 S 3/2003 Marshall  
 D478,387 S 8/2003 Balthazor  
 D501,565 S \* 2/2005 Malicki ..... D25/138  
 D516,226 S 2/2006 Lynch et al.  
 7,022,414 B2 4/2006 Davina et al.  
 D528,664 S 9/2006 Lynch et al.  
 D528,665 S 9/2006 Lynch et al.  
 D528,666 S 9/2006 Walsh  
 D528,670 S 9/2006 Davina  
 D529,187 S 9/2006 Walsh  
 D529,189 S 9/2006 Walsh et al.  
 D529,190 S \* 9/2006 Walsh ..... D25/138  
 D530,431 S 10/2006 Walsh et al.  
 D536,099 S 1/2007 Walsh et al.  
 D539,920 S 4/2007 Hackett  
 D541,946 S 5/2007 Lynch  
 D551,776 S 9/2007 Hackett  
 D552,252 S 10/2007 Davina et al.

D553,755 S 10/2007 Davina et al.  
 D557,427 S 12/2007 Turner  
 D566,295 S 4/2008 Walsh  
 D566,296 S \* 4/2008 Walsh ..... D25/138  
 D576,740 S 9/2008 Steiber et al.  
 D585,143 S \* 1/2009 Steiber ..... D25/48.3  
 D587,813 S 3/2009 Steiber et al.  
 D587,816 S 3/2009 Steiber et al.  
 D588,709 S \* 3/2009 Walsh ..... D25/138  
 D588,710 S 3/2009 Walsh et al.  
 D590,521 S 4/2009 Mock  
 D598,134 S 8/2009 Davina et al.  
 D607,120 S 12/2009 Davina et al.  
 D607,121 S 12/2009 Davina et al.  
 D607,579 S 1/2010 Walsh et al.  
 D614,310 S 4/2010 Davina et al.  
 D616,109 S 5/2010 Steiber et al.  
 D617,005 S 6/2010 Mullet  
 D621,062 S 8/2010 Mullet  
 D621,065 S 8/2010 Mullet  
 D662,732 S 7/2012 Siekmann  
 D664,673 S 7/2012 Paxton  
 D665,099 S \* 8/2012 Paxton ..... D25/48.3  
 D670,002 S 10/2012 Walsh  
 D690,956 S 10/2013 Siekmann  
 D692,582 S \* 10/2013 Paxton ..... D25/48.3  
 D696,422 S 12/2013 Walsh  
 D726,935 S \* 4/2015 Wysock ..... D25/48.3  
 D740,963 S \* 10/2015 Wysock ..... D25/48.3  
 D754,877 S 4/2016 Walsh  
 2011/0036036 A1 2/2011 Thompson et al.  
 2011/0107703 A1 5/2011 Mullet

FOREIGN PATENT DOCUMENTS

CN 202544673 11/2012  
 EP 0688639 A2 12/1995

OTHER PUBLICATIONS

Wood 1 panel square to oak door, Masonite [online], [site visited Aug. 26, 2016]. <URL: <https://configure.mansonitecloud.com/anonymous/configDoor.spr?productLine=interior&zipCode=223148&country=US&doorId=WP-WPS-DR-203-XXX-XXX-1-OAK-XXX-SS-80-30-1375-SQF-XXX-XX>>.

\* cited by examiner



Fig. 1

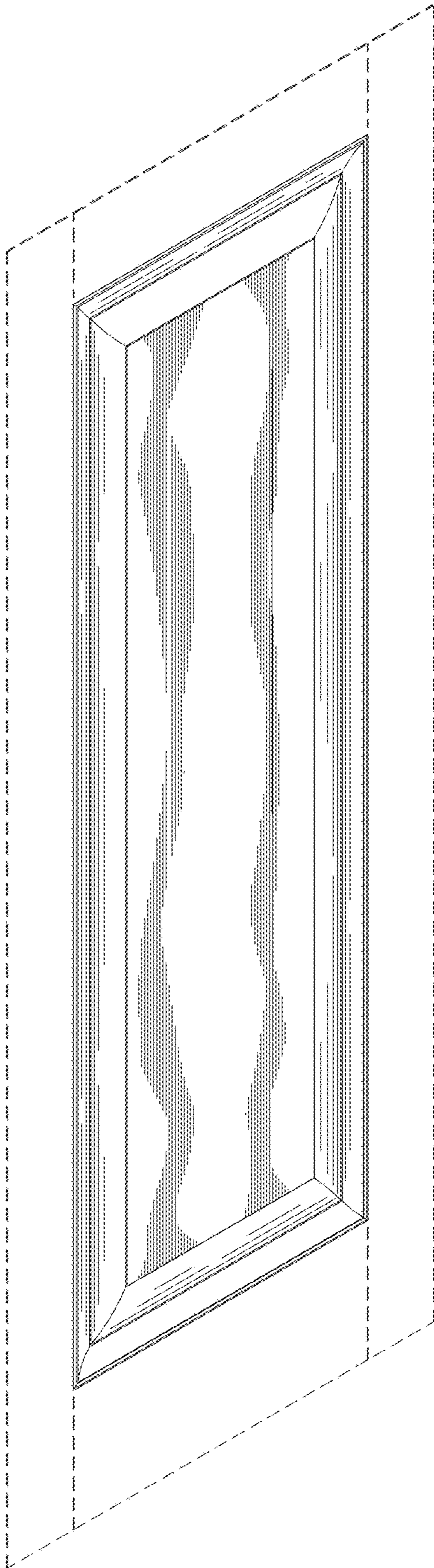


Fig. 2

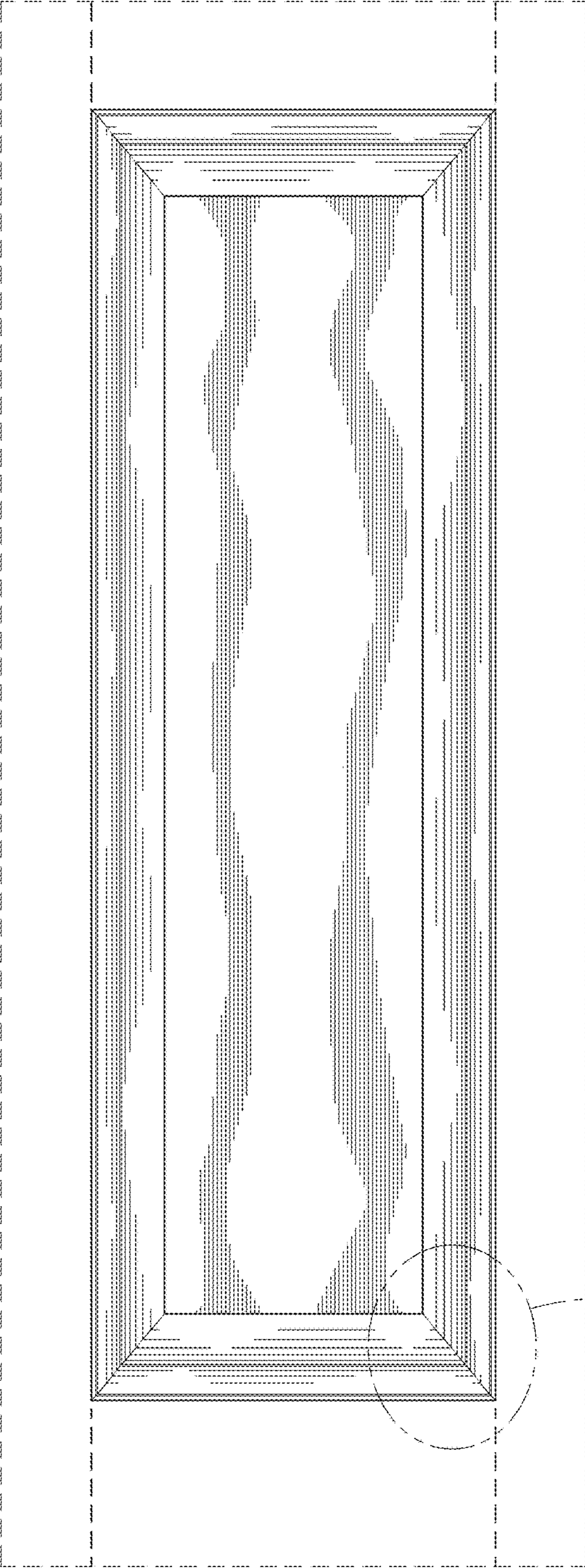


Fig. 3

Fig. 3

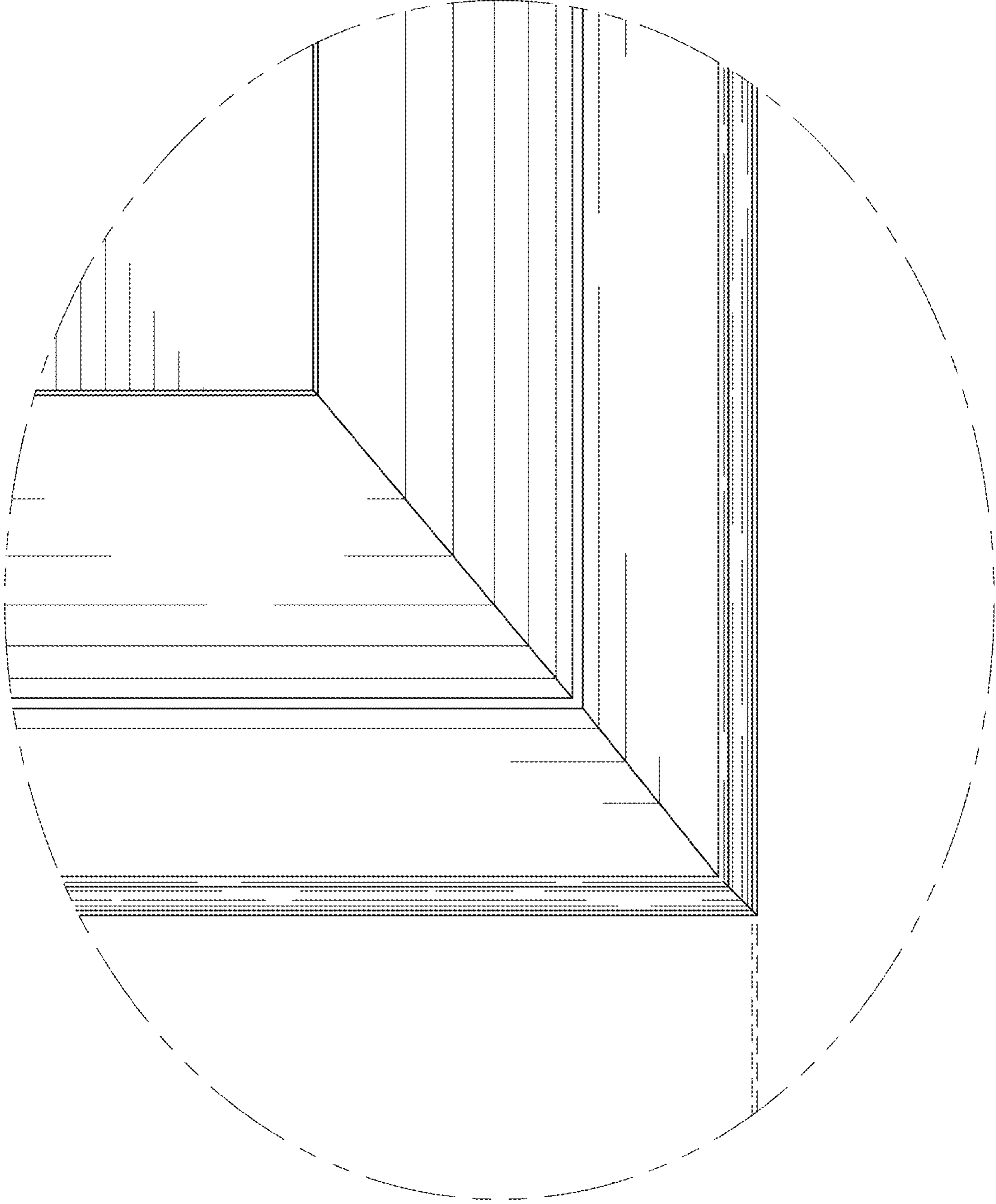




Fig. 4

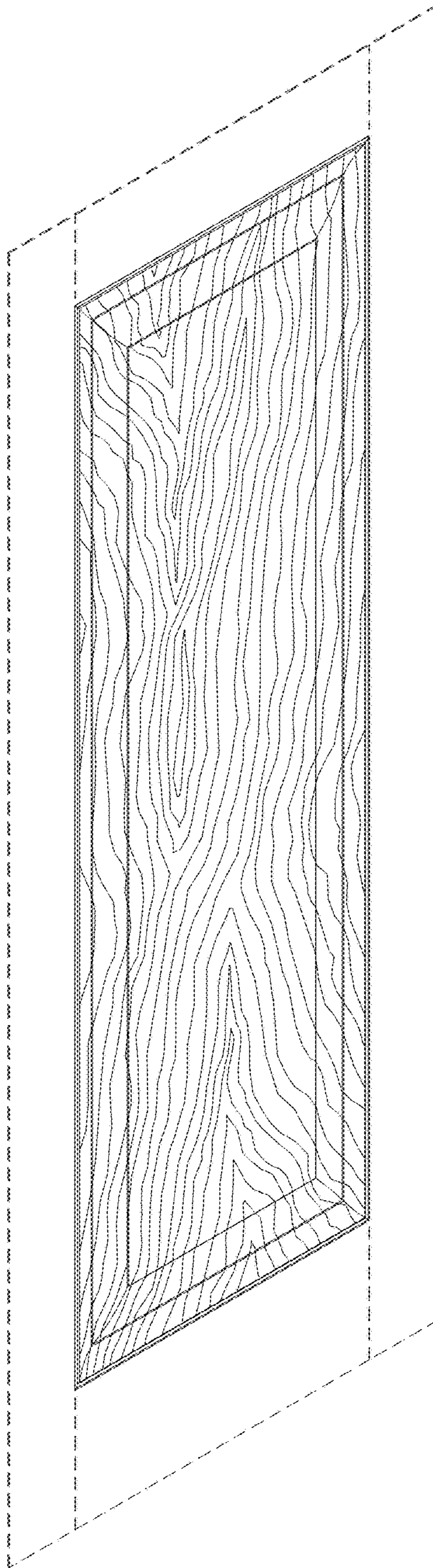


Fig. 5

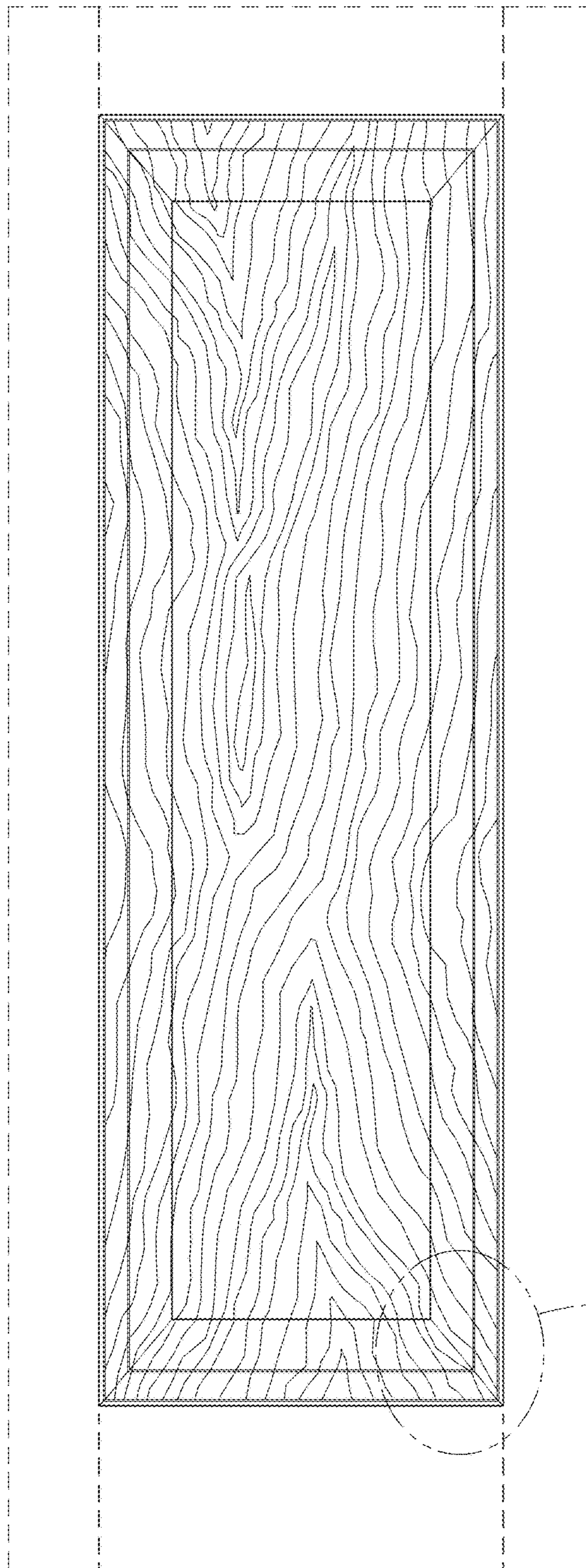


Fig. 6

Fig. 6

