



US00D790726S

(12) **United States Design Patent**
Plante et al.

(10) **Patent No.:** **US D790,726 S**

(45) **Date of Patent:** **** *Jun. 27, 2017**

(54) **SALIVA COLLECTION VIAL**

(75) Inventors: **James Plante**, La Jolla, CA (US);
David Becker, San Diego, CA (US);
Edgar MacBean, San Diego, CA (US);
Kathryn J. Elliot, San Diego, CA (US)

(73) Assignee: **Pathway Genomics Corporation**, San Diego, CA (US)

(*) Notice: This patent is subject to a terminal disclaimer.

(**) Term: **14 Years**

(21) Appl. No.: **29/314,382**

(22) Filed: **Mar. 25, 2009**

(51) **LOC (10) Cl.** **24-01**

(52) **U.S. Cl.**
USPC **D24/224; D24/121**

(58) **Field of Classification Search**
USPC D24/216, 222–226, 231, 232, 169;
D10/80, 81; 422/99, 100, 102, 56, 58,
422/61, 68.1, 69; 435/288.1, 288.3,
435/289.1; D9/503, 504, 516, 517, 520
See application file for complete search history.

(56) **References Cited**

U.S. PATENT DOCUMENTS

D241,416 S 9/1976 Aul
D252,612 S * 8/1979 Mull D24/224
D310,264 S * 8/1990 Leoncavallo D24/224
D318,727 S * 7/1991 Spike D24/224
D330,429 S * 10/1992 Lewis et al. D24/224

D357,985 S * 5/1995 Burns D24/224
5,477,863 A * 12/1995 Grant 600/572
5,601,728 A * 2/1997 Kayal et al. 210/768
D383,851 S * 9/1997 Wong D24/224
5,741,708 A * 4/1998 Carey et al. 422/100
D507,351 S 7/2005 Birnboim
D562,462 S 2/2008 Muir et al.
D574,507 S 8/2008 Muir et al.

* cited by examiner

Primary Examiner — Anhdao Doan

(74) *Attorney, Agent, or Firm* — Workman Nydegger

(57) **CLAIM**

The ornamental design for a saliva collection vial, as shown and described.

DESCRIPTION

FIG. 1 is a top side perspective view of the saliva collection vial;

FIG. 2 is a bottom side perspective view of the saliva collection vial of FIG. 1;

FIG. 3 is a perspective view of the saliva collection vial of FIG. 1;

FIGS. 4, 5, and 6 are the same as FIGS. 1, 2, and 3, respectively, shown with a cap secured to top of the saliva collection vial;

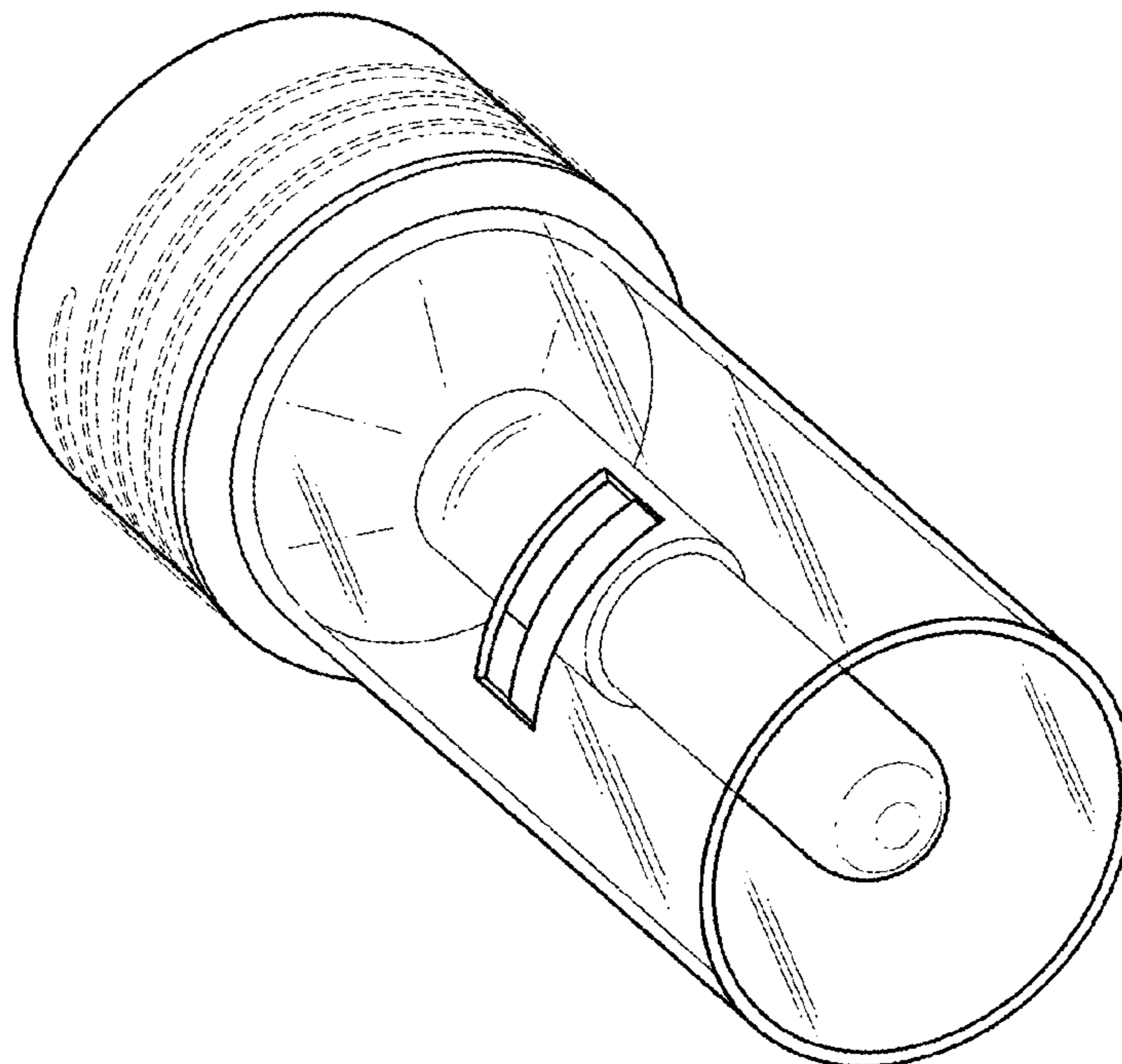
FIG. 7 is a right-side view of the saliva collection vial of FIG. 1;

FIG. 8 is a left-side view of the saliva collection vial of FIG. 1; and,

FIG. 9 is a front-side view of the saliva collection vial of FIG. 1.

The broken lines depict environmental structure for illustrative purposes only and form no part of the claimed design.

1 Claim, 5 Drawing Sheets



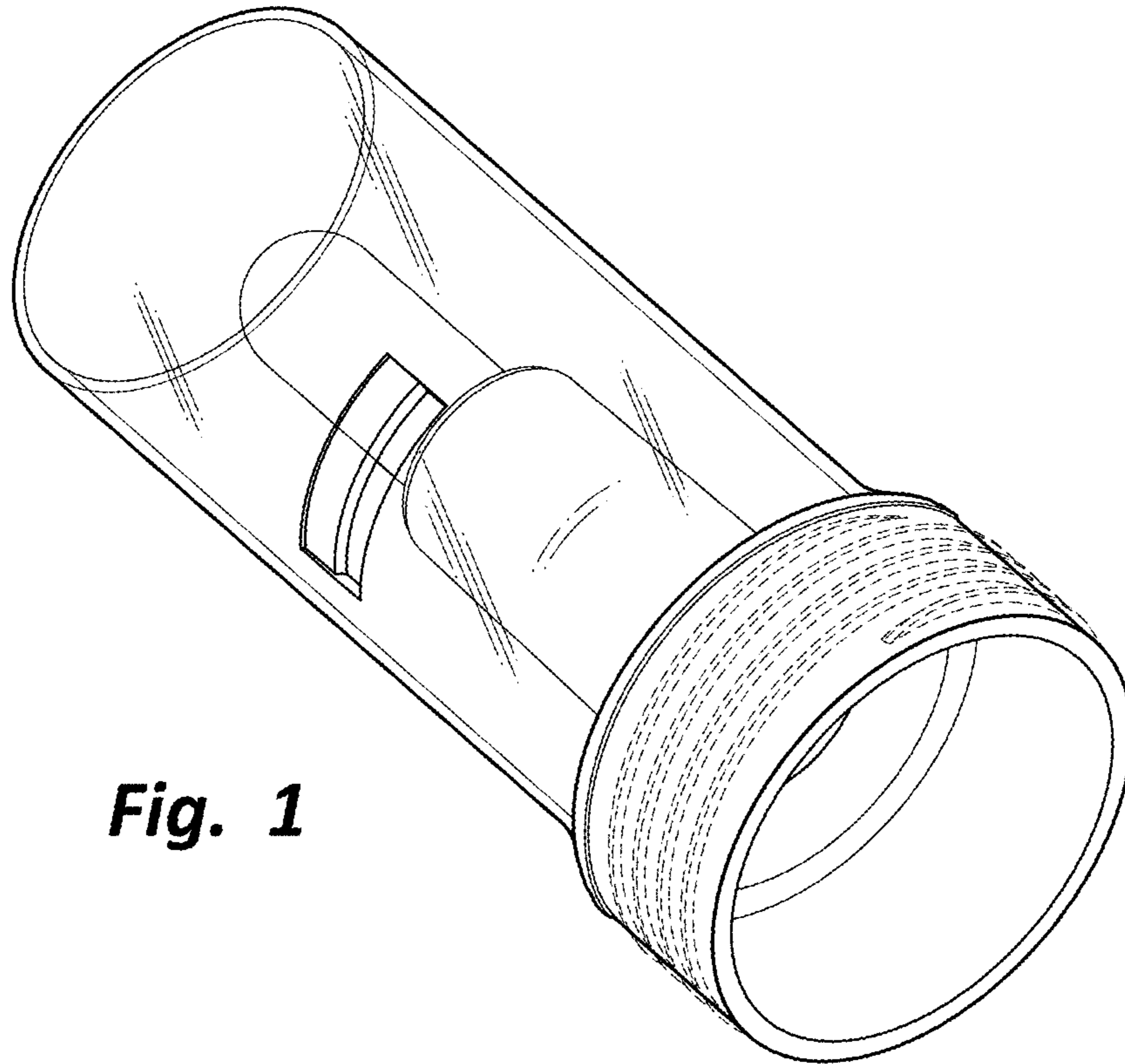


Fig. 1

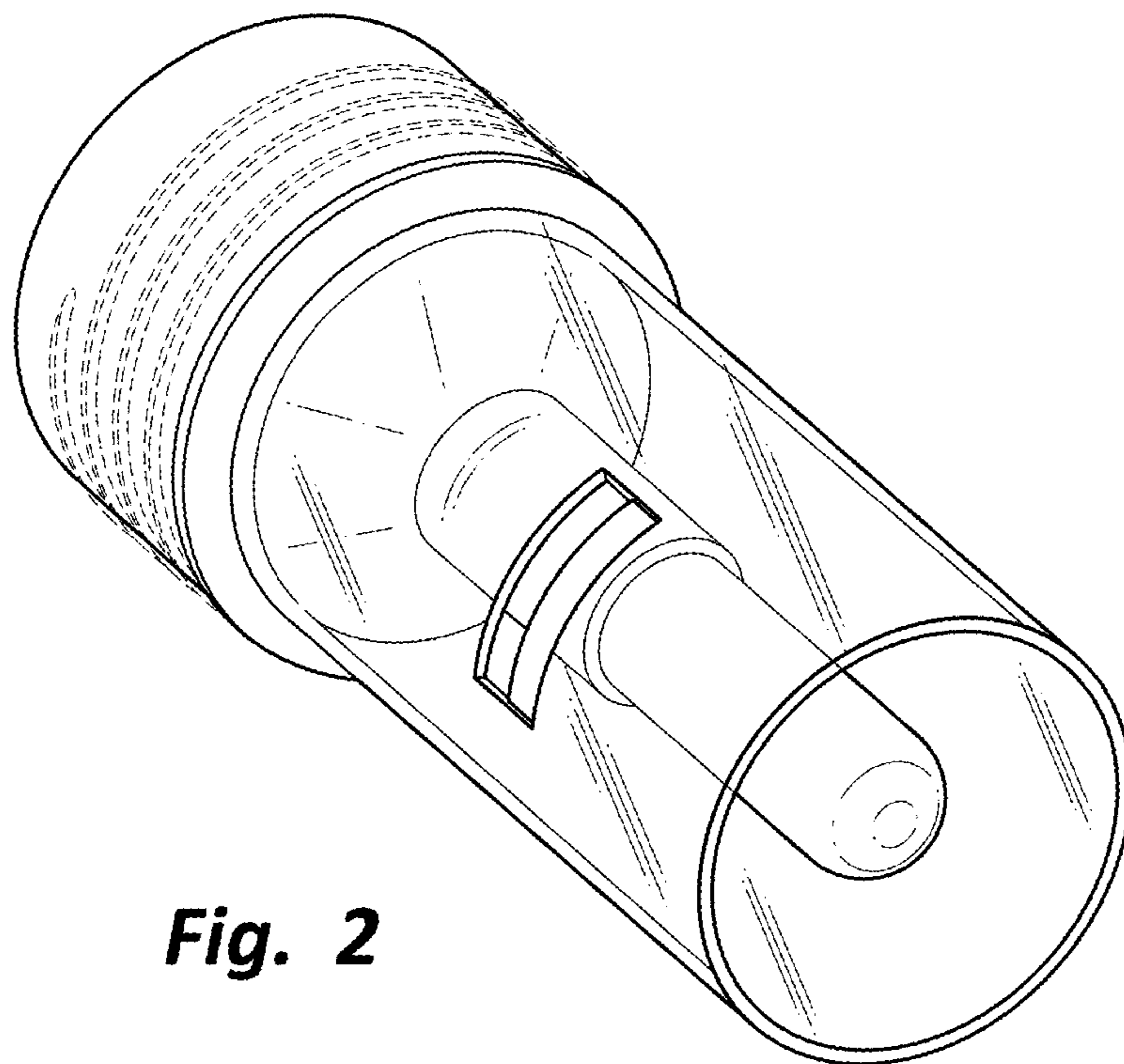


Fig. 2

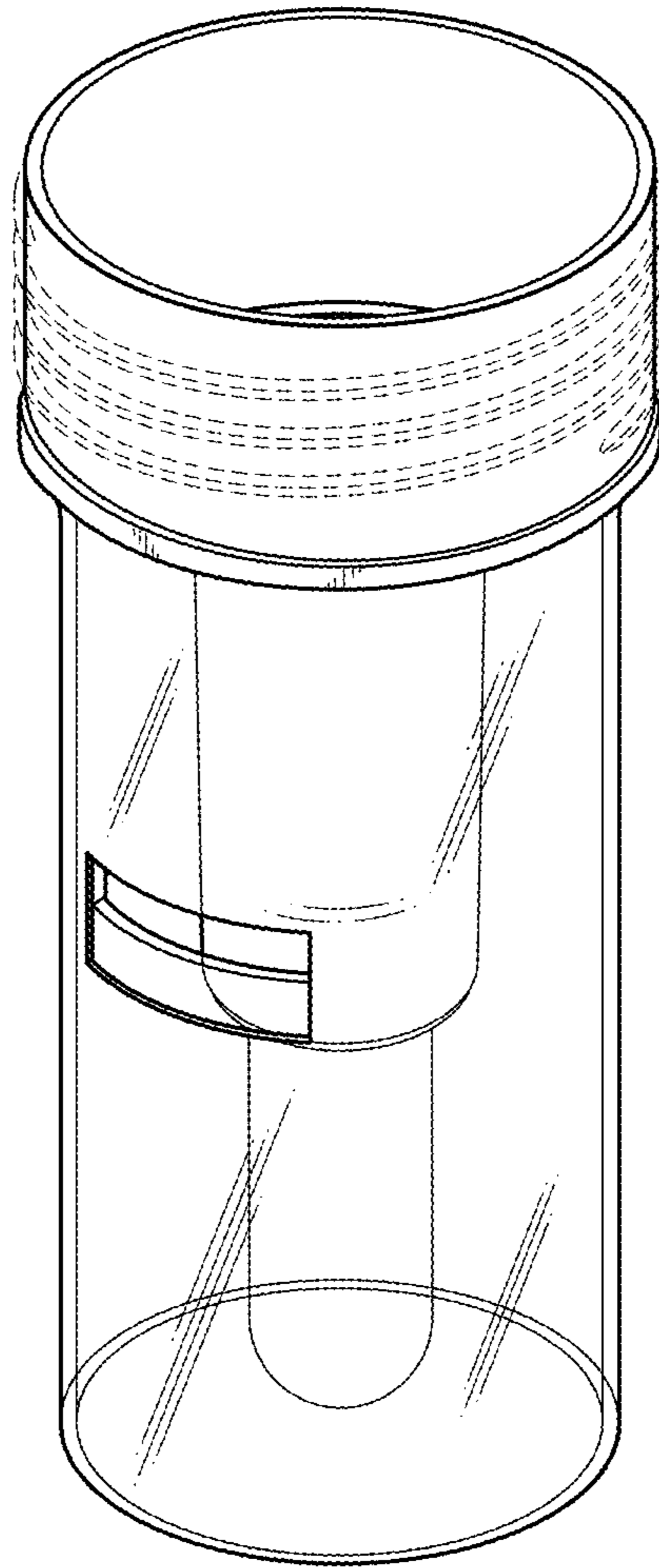


Fig. 3

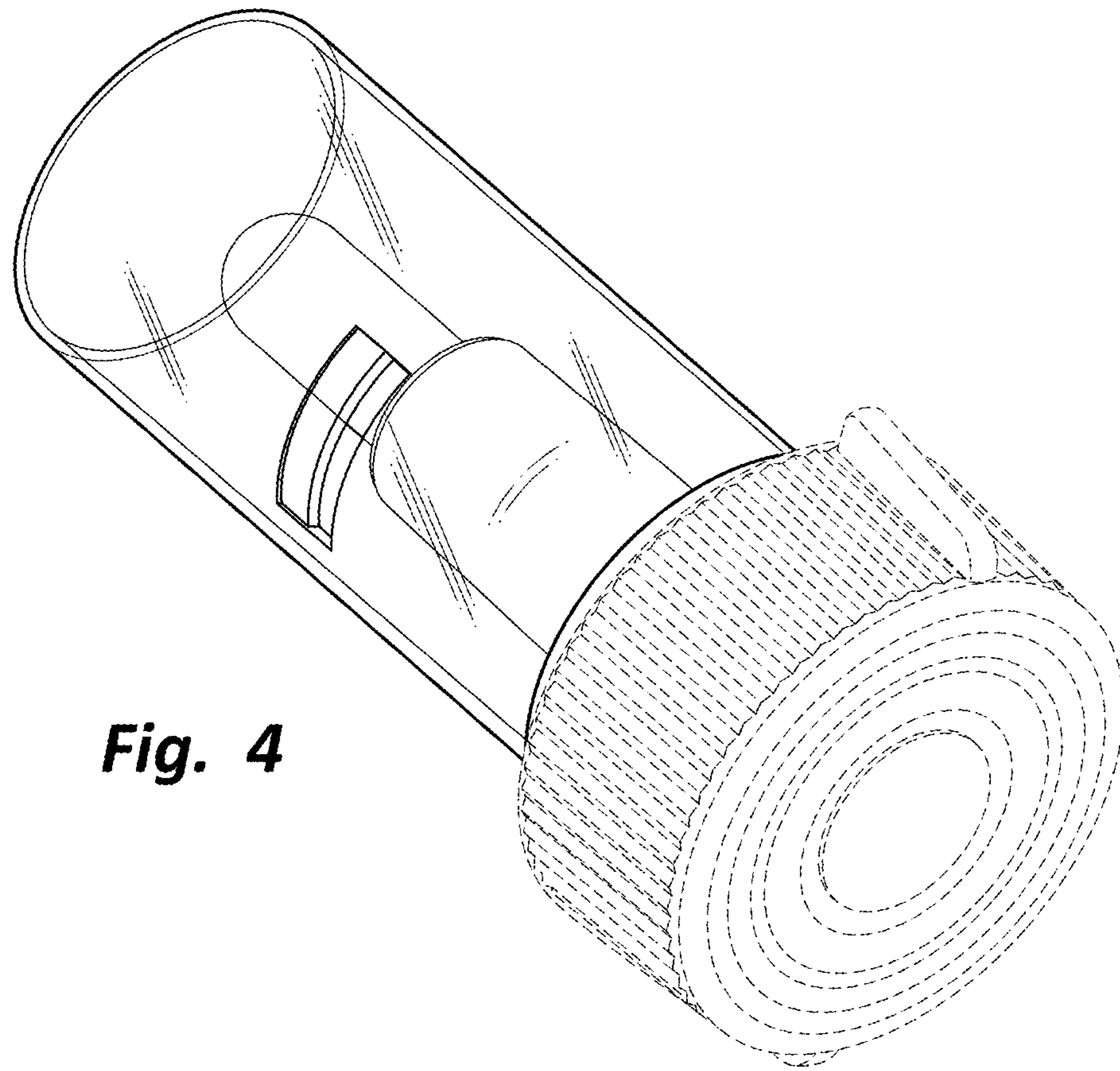


Fig. 4

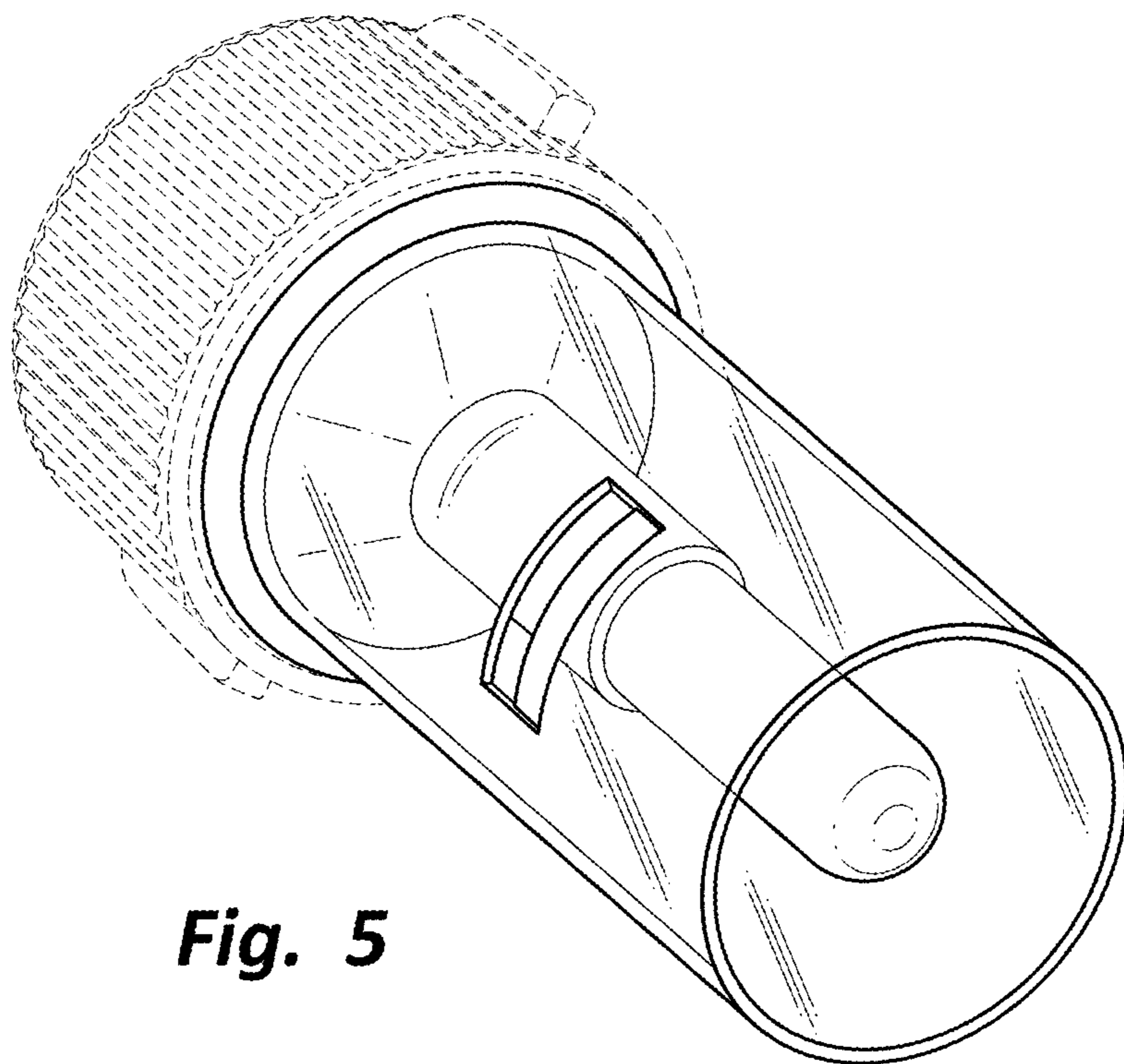


Fig. 5

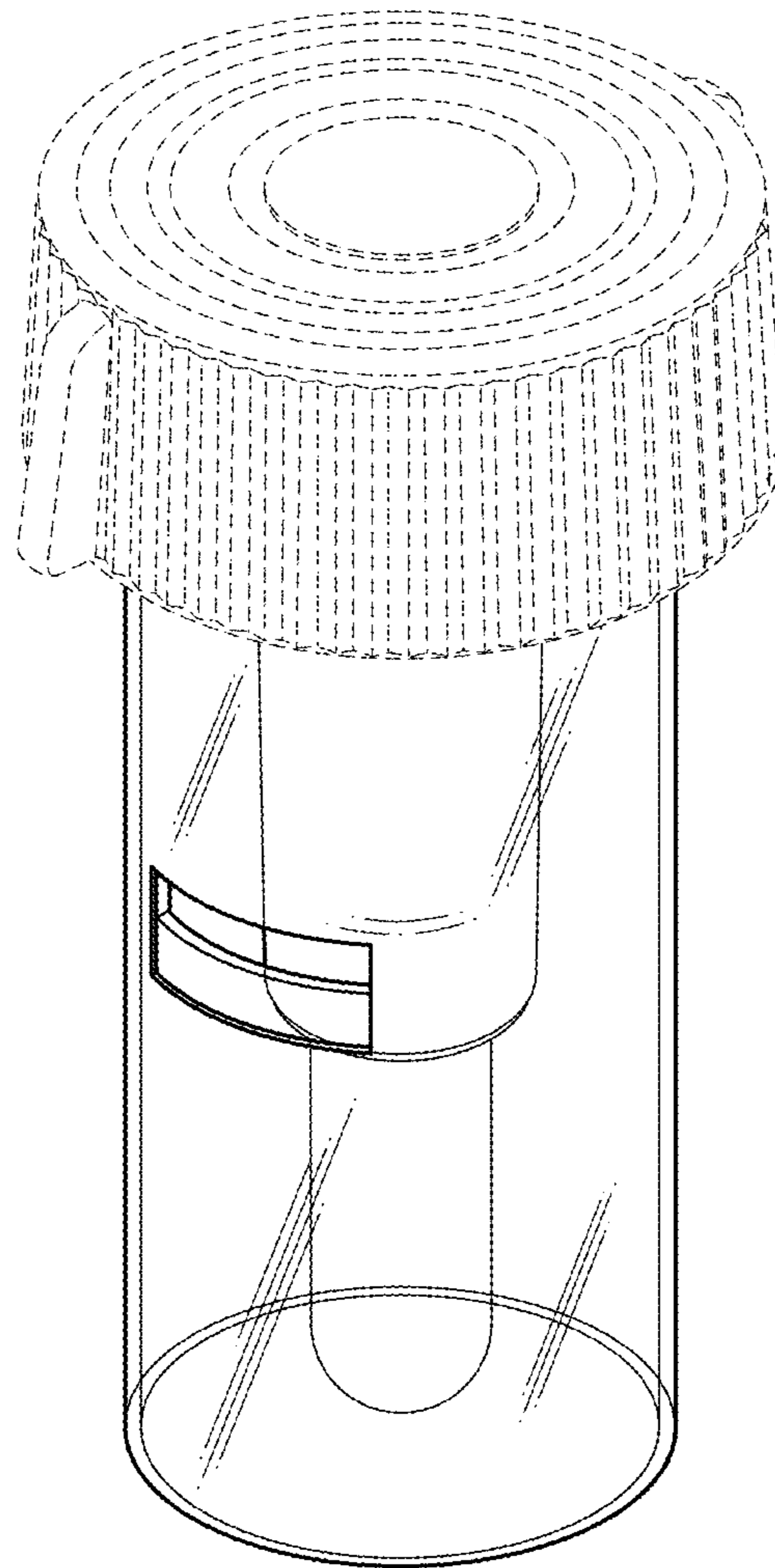


Fig. 6

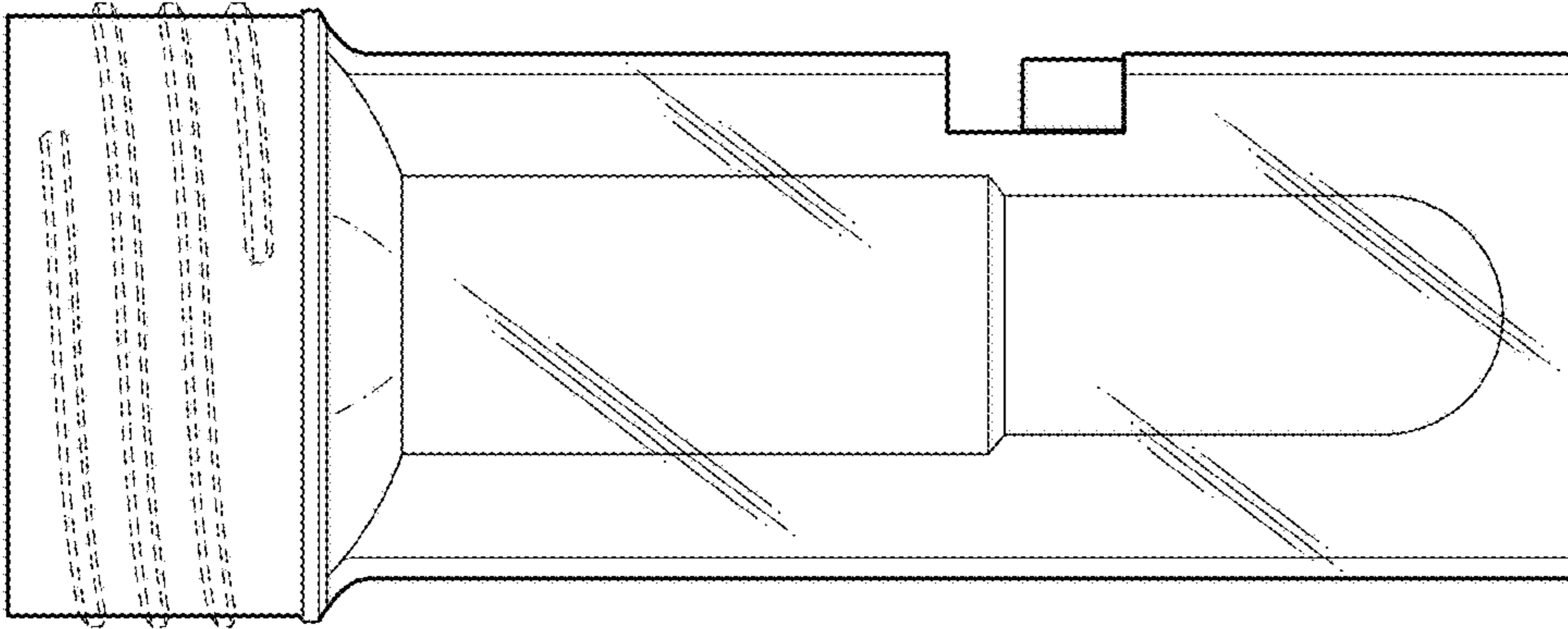


Fig. 7

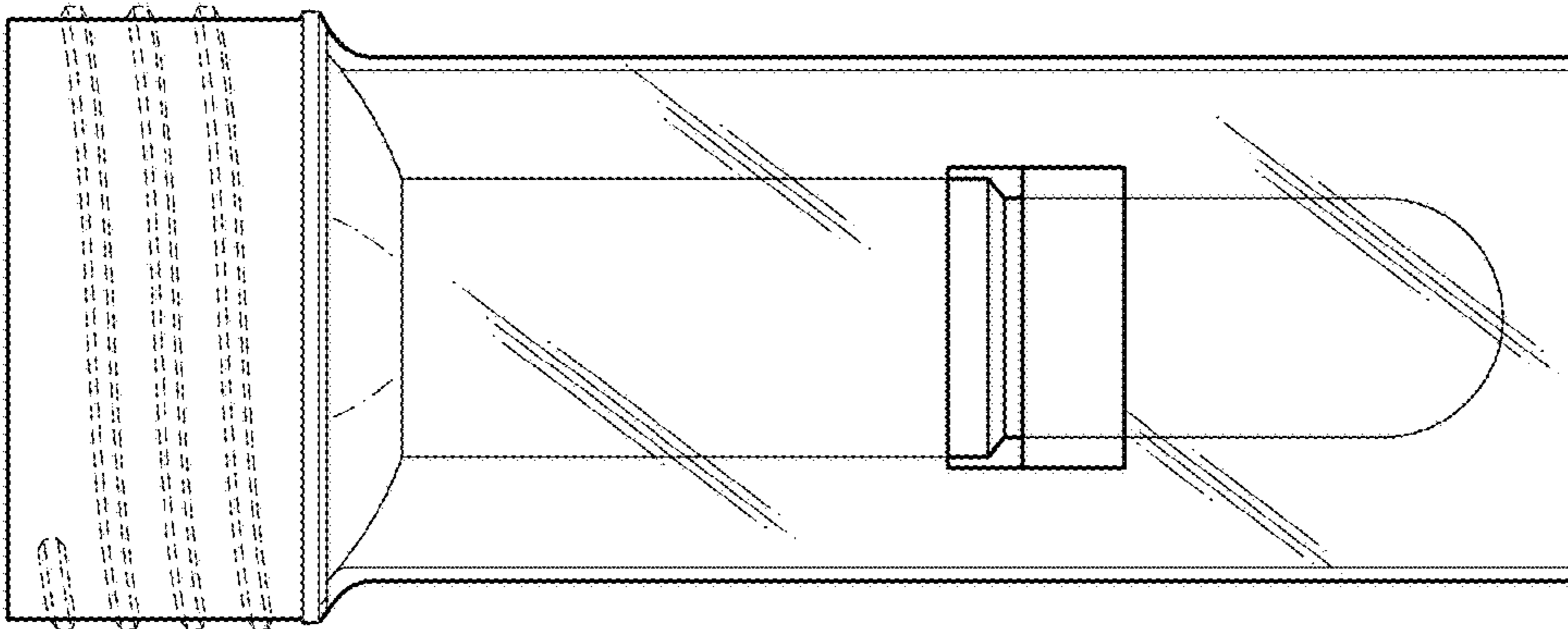


Fig. 8

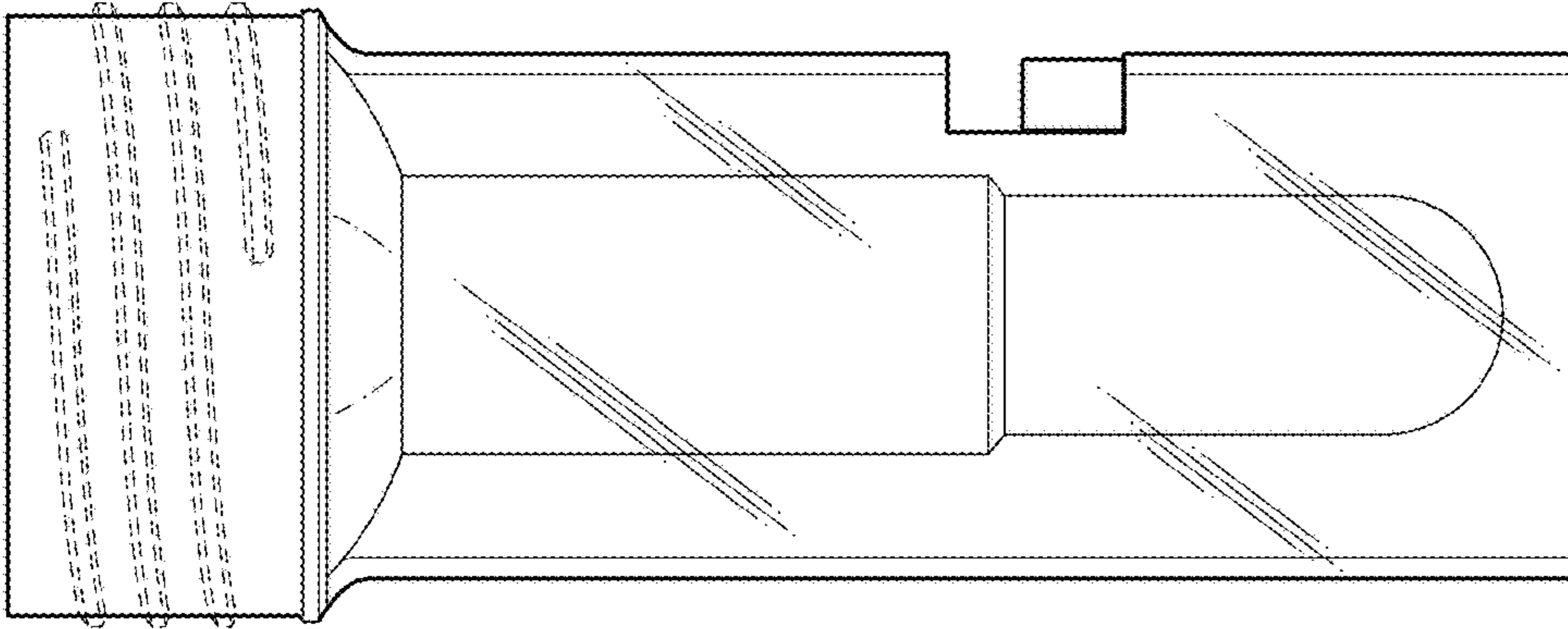


Fig. 9